

ASSEMBLY INSTRUCTIONS

Item#: 5070-90007 ROUND MIRROR

Item#: 5070-90117 MEDIA CHEST

** Please make sure you have all parts indicated below prior to assembly.
This unit is heavy and can best be assembled with the help of two or more persons.

NO		Hardware List	Q'ty
F		SCREW	14

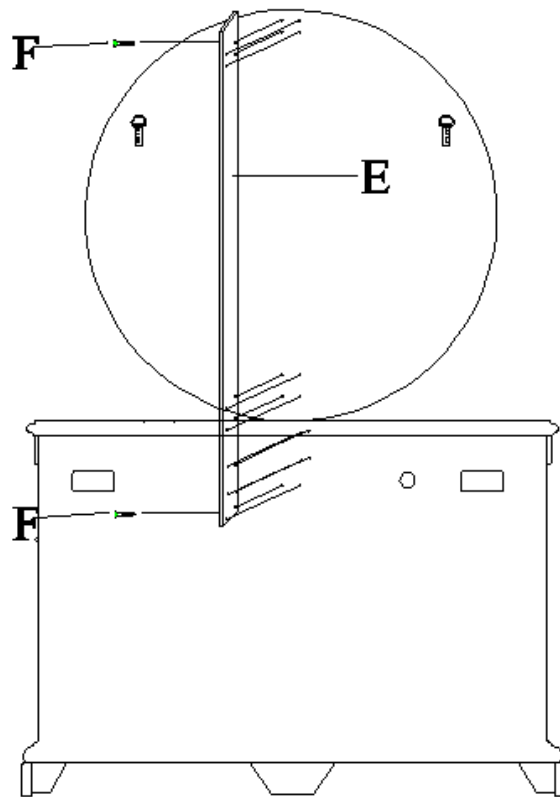
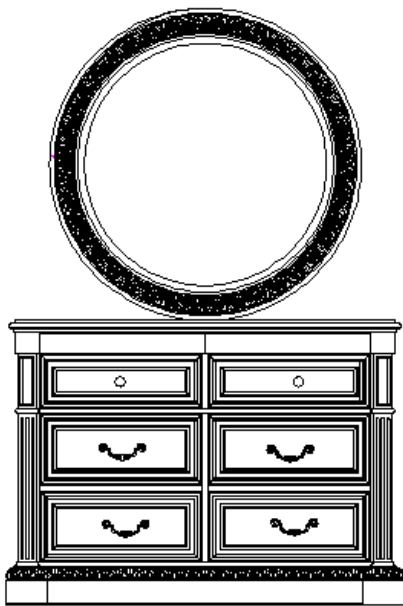


DIAGRAM 1

Assembly steps:

1. Place the mirror on top of chest. Be sure to position the mirror in the middle of the top. The back bottom edge of the mirror and the back edge of the top should be flushed.
2. Attach wood board (E) to the back of mirror and chest. (See Diagram1)
3. Tighten all screws (F) to the pre-drilled holes on support wood board (E) by using Philips head driver. (See diagram 1)

Cleaning Instruction: Clean finished parts with a damp cloth using a mild dishwashing liquid and water solution. Polish the finish with soft cloth and an industry recognized furniture polish.