

ASSEMBLY INSTRUCTION

Item#: 5070-75007 Rectangle Dining Table Base
5070-75008 Rectangle Dining Table Top

*****Please make sure you have all parts indicated below prior to assembly.
This unit is heavy and can best be assembled with the help of two or more people.**

NO.	HARDWARE LIST		Q'TY
A		ALLEN WRENCH	1
B		$\frac{5}{16}$ "*35mm BOLT	8
C		$\frac{5}{16}$ " LOCK WASHER	12
D		$\frac{5}{16}$ " FLAT WASHER	12
E		$\frac{5}{16}$ "*60mm BOLT	4

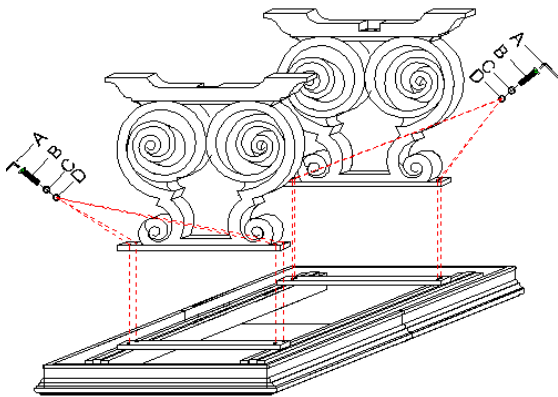
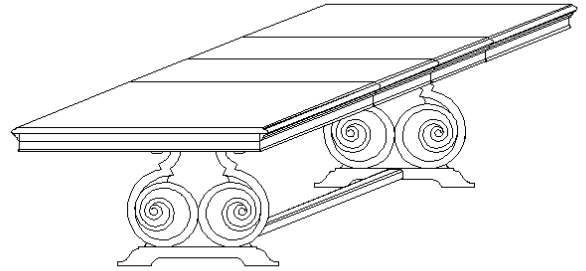


Diagram 1

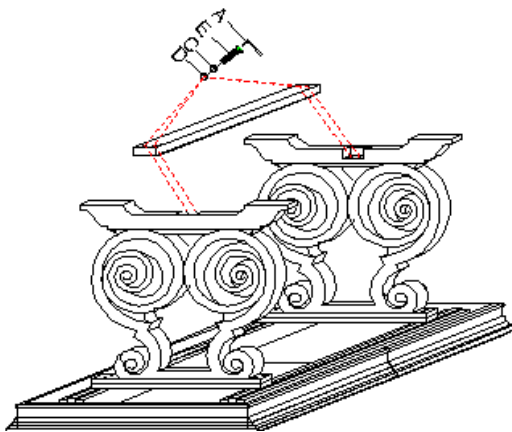
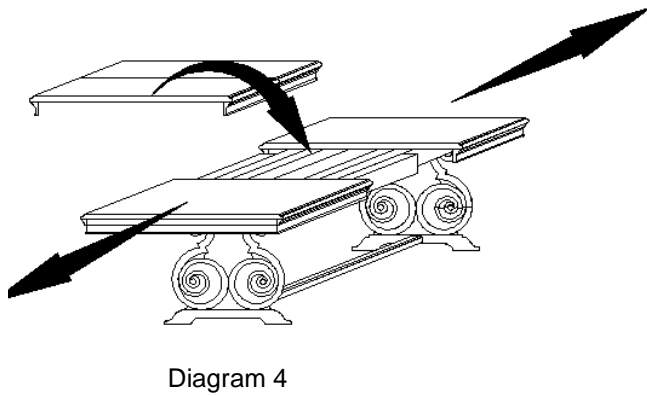
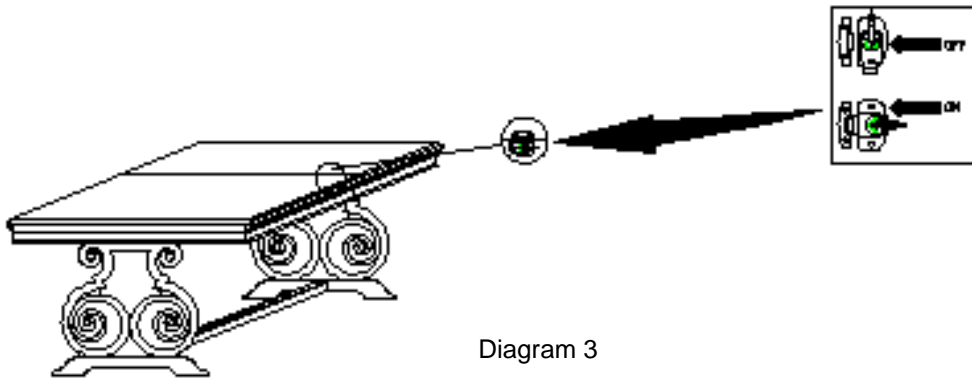


Diagram 2

1. Place the top upside down on a soft surface;
2. Attach the pedestal to the top, align holes on the pedestal and the top ,insert bolt (B),lock washer (C) and flat washer (D) into each hole;
3. Secure the bolt (B) in clockwise direction with allen wrench (A) (see diagram 1);
4. Attach the other pedestal in the same way as step 2 and step 3;
5. Place the rail onto two pedestals;
6. Insert 2pcs bolts (E) with lock washers (C) and flat washers (D) into holes on rail of each side and corresponding holes in pedestal;
7. Secure the bolts (E) with allen wrench (A);
8. Turn the table upright.



Instruction for the leaves:

1. There is a latch on the bottom of the top, turn on the latch as the diagram 3 shows.
2. Pull out the table top as the arrow direction shown in diagram 4.
3. Place the leaves on it and push them together.
4. Turn off the latch. (see diagram 3)

Cleaning Instruction: Clean finished parts with a damp cloth using a mild dishwashing liquid and water solution. Polish the finish with soft cloth and an industry recognized furniture polish.