

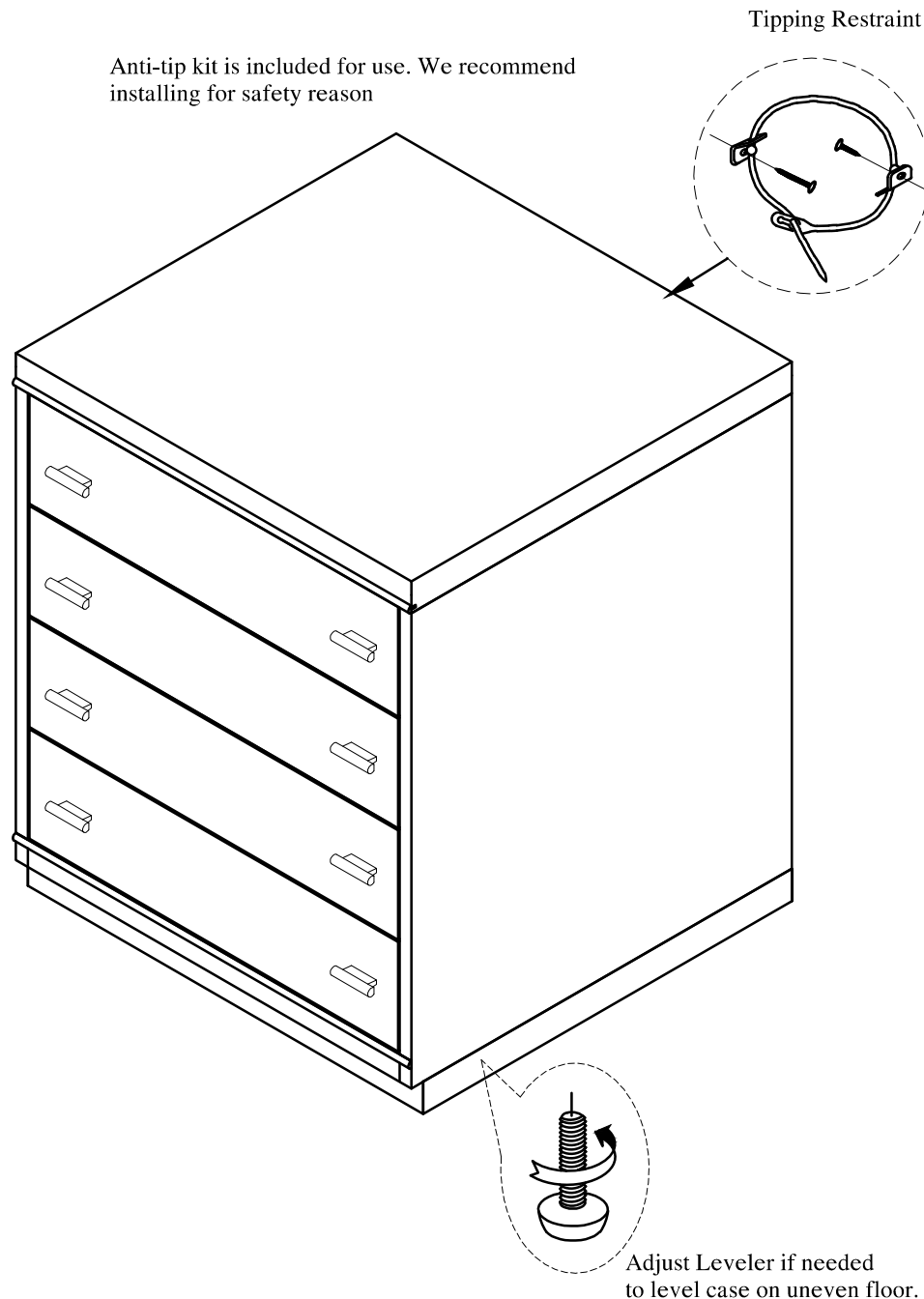


ASSEMBLY INSTRUCTION

Item: 1623-10466 LATERAL FILE

Thank you for purchasing this quality product. Be sure to unpack carefully looking for small parts which may have come loose during shipment.

Read all instruction and study the drawing carefully before starting the assembly process.



Note: Anti-tipkit restraint instructions enclosed with the pack.