
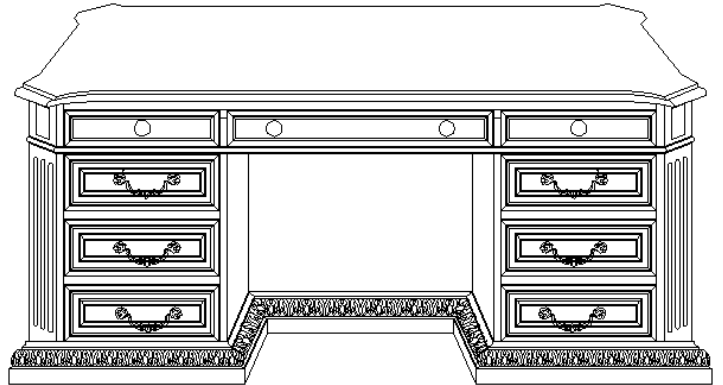


DISASSEMBLY INSTRUCTION

Item#: 5070-10563 EXECUTIVE DESK

**Caution: Please read all instructions carefully before starting the removal process.
This unit is heavy and can best be assembled with the help of two or more persons.**

NO	HARDWARE LIST	Q'TY
H	 Allen Wrench	1



For easier delivery, the desk can be taken apart as shown below.

Step 1: Take out all three top drawers and second drawers on both sides, loosen all screws (L) on L-shaped metal plates and screws (M) under the front edge of top panel, and remove top panel from desk. (see Diagram 1)

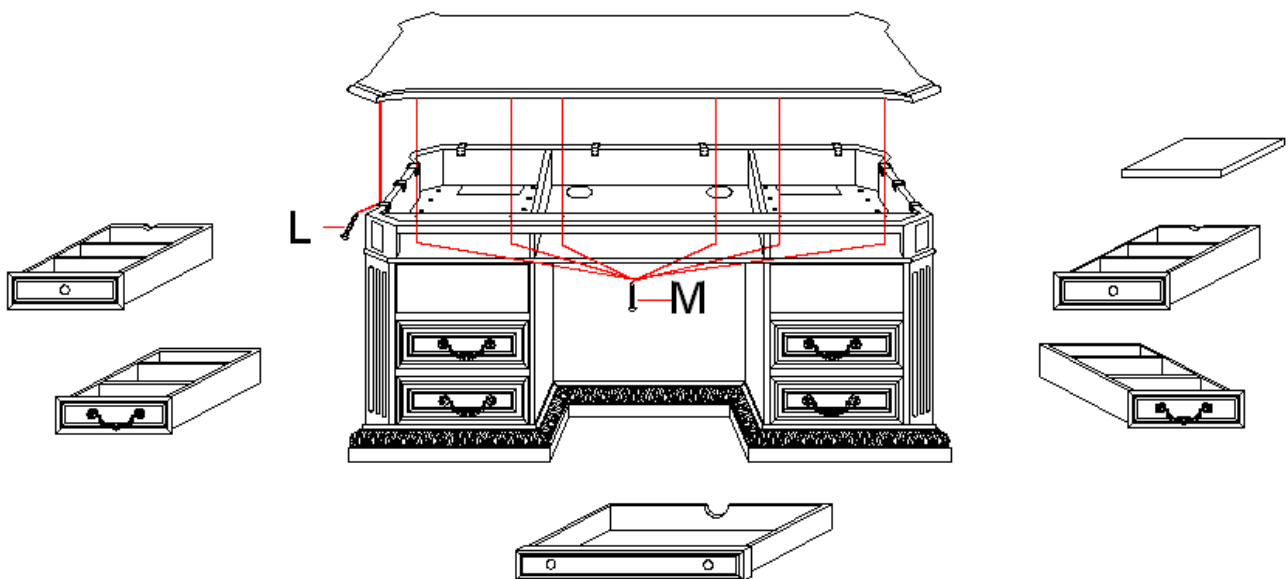


Diagram 1

Step 2. Loosen two bolts (I), lock washers (J), flat washers (K) at wood cleats under left bottom panel through the holes by using allen wrench (H), and then repeat the steps at right side. (See diagram 2, arrow indicated)

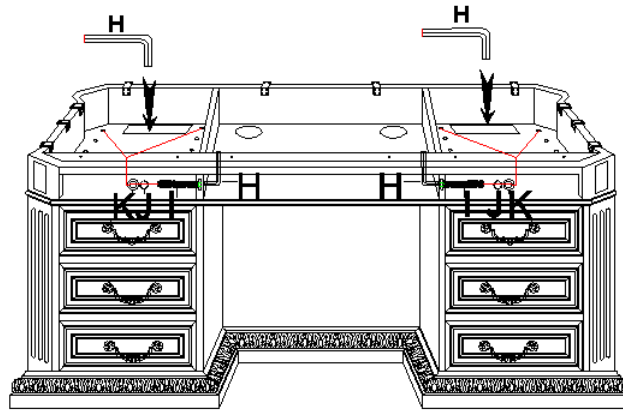


Diagram 2

Step 3: Loosen the remaining 4 bolts (I), lock washers (J), flat washers (K) attached at wood cleats under left bottom panel by using allen wrench (H) from the bottom, and then repeat the steps at right base, then take off the top section(C).(see Diagram 3).

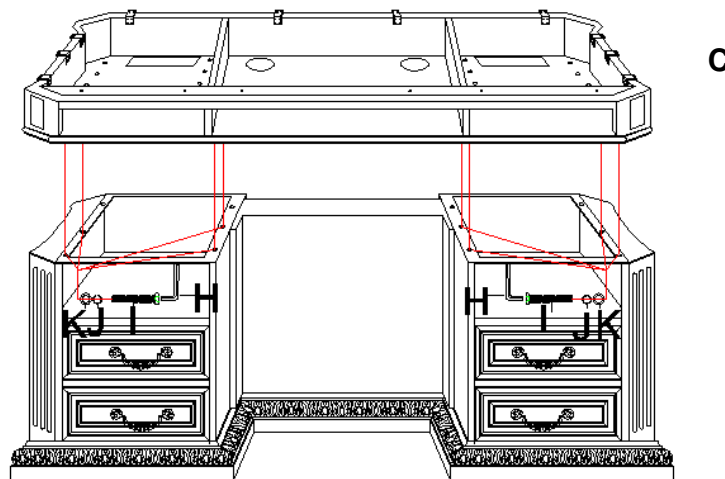


Diagram 3

Step 4: loosen four bolts (I), lock washers (J), flat washers (K) attached the back panel (D) to the desk with allen wrench (H) and separate back panel (D) by pulling it upright. (see Diagram 4)

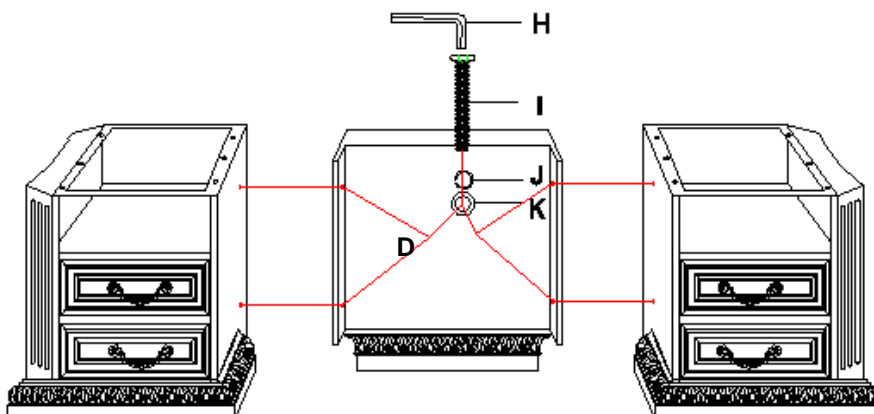


Diagram 4

Cleaning Instruction: Clean finished parts with a mild dishwashing liquid and water solution on a damp cloth. Polish the finish with soft cloth and an industry recognized furniture polish.