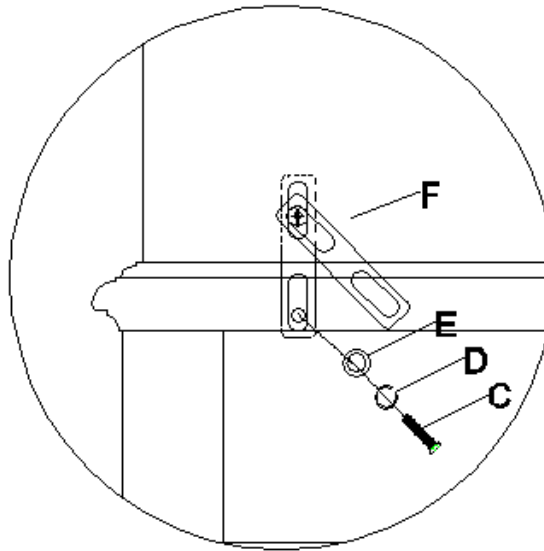


# Mending Plate Assembly Instruction

---

\*\* Please make sure you have all parts prior to assembly.



## Assembly Steps:

1. Place Top on the Base.
2. Loosen the bolt (C), lock washer (D), flat washer (E) at bottom back side of Top in counter-clockwise direction. (See diagram 3).
3. Turn the mending plate (F) following the direction of arrowhead. Tighten the bolt (C), lock washer (D), flat washer (E) as the reversed way of step 2.

*Cleaning Instruction: Clean finished parts with a damp cloth using a mild dishwashing liquid and water solution. Polish the finish with soft cloth and an industry recognized furniture polish.*