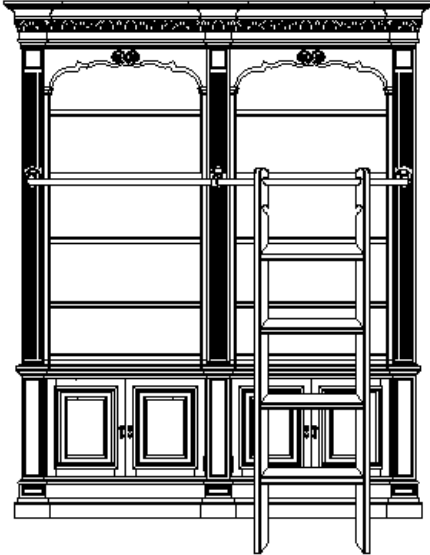





ASSEMBLY INSTRUCTION

ITEM#: 5070-10-256/259/465/469 DOUBLE BOOKCASE

** Please make sure you have all parts indicated below prior to assembly.
This unit is heavy and can best be assembled with the help of two or more persons.



NO	HARDWARE LIST		Q'TY
A		WRENCH	1
B		ALLEN WRENCH	1
C		SCREW	12

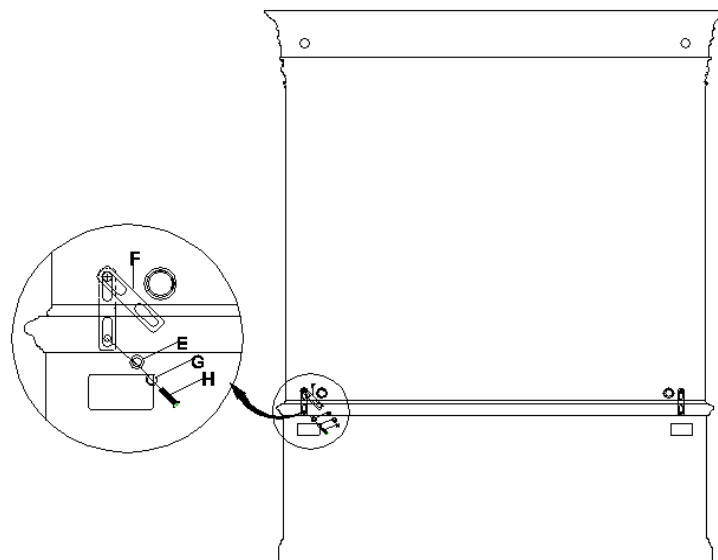


Diagram 1

Assembly Steps:

1. Put bookcase top on bookcase base. Unscrew bolt (H), lock washer (G), flat washer (E) with Allen wrench (B). Turn the mending plate (F) to the hole on base. Screw the bolt (H), lock washer (G), flat washer (E) tightly with Allen wrench(B). See diagram 1

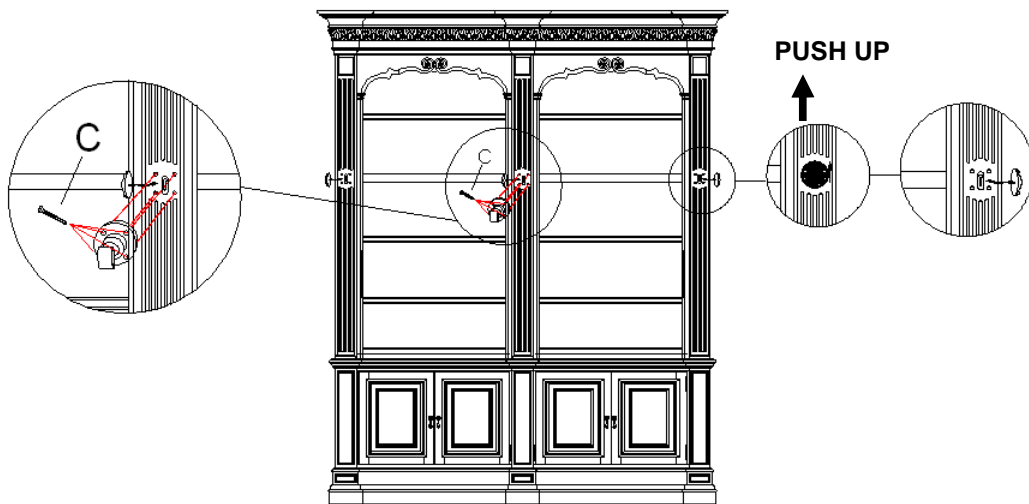


Diagram 2

2. Remove three rosettes on hutch by pushing them up first. Attach center rail support to hutch by using 4pcs of screws (C). See diagram 2.

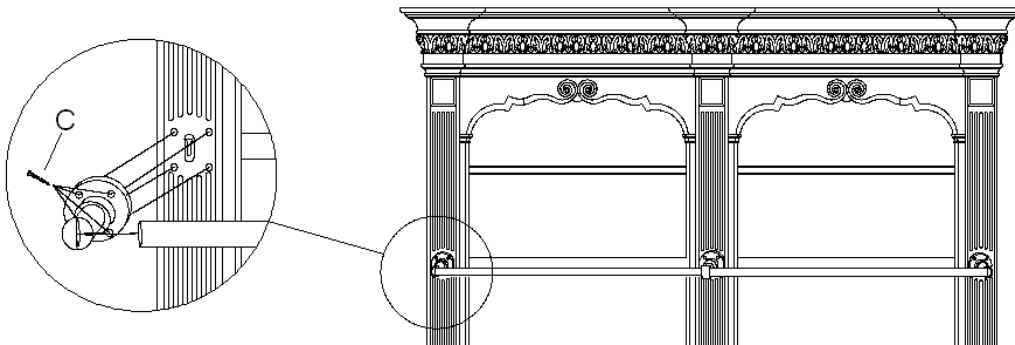


Diagram 3

3. Insert the one side of rail to left support and attach support to hutch by using 4pcs of screws (C). See diagram 3. Attach another side of rail to right support the same way above.

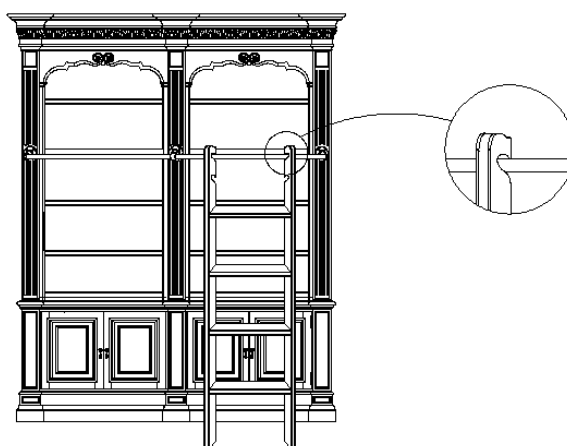


Diagram 4

4. Put ladder on the rail. See diagram 4.

Cleaning Instruction: Clean finished parts with a damp cloth using a mild dishwashing liquid and water solution. Polish the finish with soft cloth and an industry recognized furniture polish.