

ASSEMBLY INSTRUCTIONS



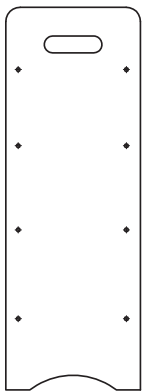
sort and store toy organizer

ITEM # SRT-01602/SRT-01603

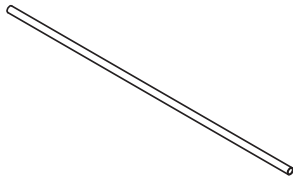
DIMENSIONS

33.25 in L x 12.5 in W x 36 in H
(84.5 cm L x 31.8 cm W x 91.4 cm H)

A x2



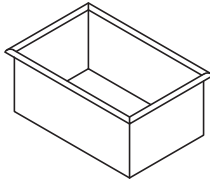
B x8



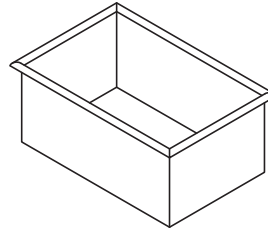
C x16



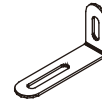
D x8



E x4



F x2



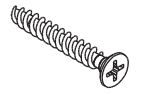
G x2



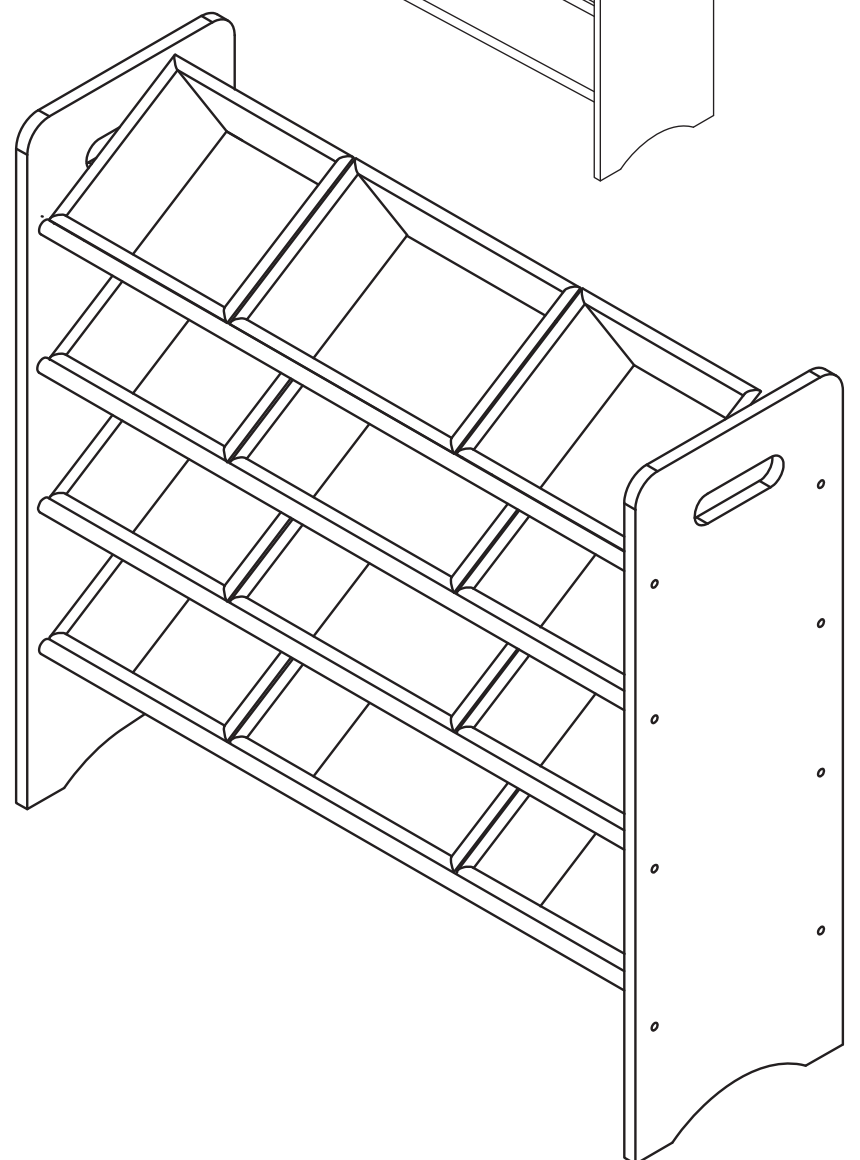
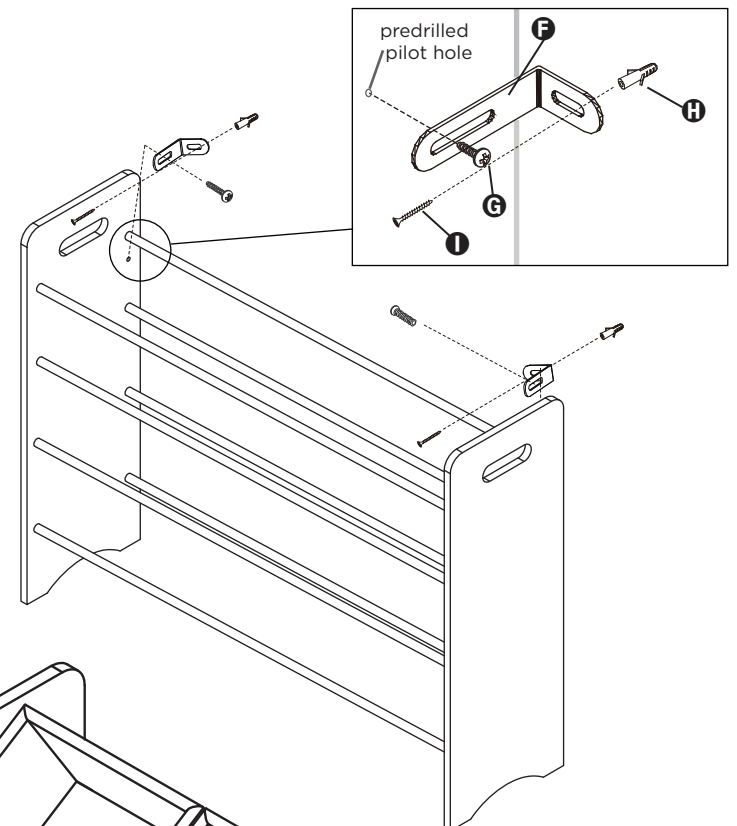
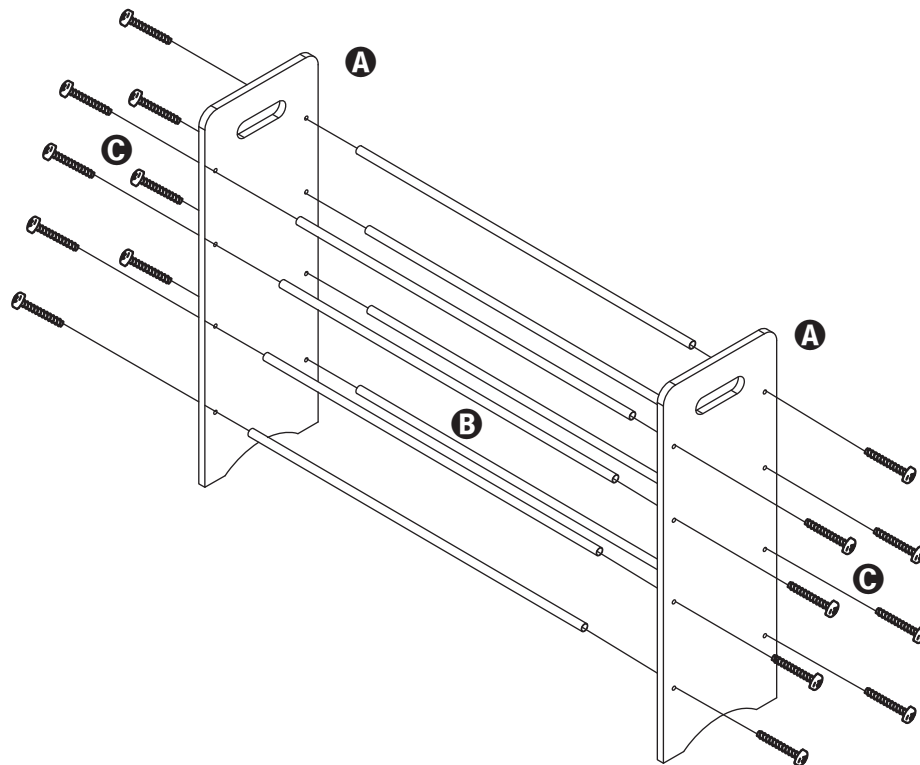
H x2



I x2



****Please note: Parts F, G, H and I are designed to anchor your toy sorter to a wall. Anchoring the sorter is an essential safety step that will prevent it from tipping over when children are using the sorter. Both anchors must be installed.**



ADULT ASSEMBLY REQUIRED

Due to the nature of this item it is required to be assembled by an adult. Please keep parts and packaging away from small children. Screws, brackets and anchors can be choking hazards!

LIMITED LIFETIME WARRANTY

Honey-Can-Do International, LLC (HCD) warrants its products will be free from defects in materials and workmanship when used for normal personal or household use, except as provided below. HCD, at its option, may offer a comparable product or offer a replacement part or request that the item be returned to the place of purchase. This warranty DOES NOT apply to damage caused by negligence, misuse, excessive use, improper cleaning, improper assembly, or any circumstances not directly attributable to manufacturing defects. Proof of purchase is required in the form of a receipt (copy or original) to validate warranty. HCD provides this limited lifetime warranty in lieu of all other warranties, either express or implied. In no event shall HCD, its affiliates, or subsidiaries be responsible for consequential or incidental damages arising out of a claim of defective product. Some states or provinces do not allow some exclusions or limitations, so the above statement may not apply to you. This warranty gives you specific legal rights. Additional rights vary by state or province.