

# ASSEMBLY INSTRUCTIONS



## 3 bag mesh laundry sorter

ITEM #

HMP-01629

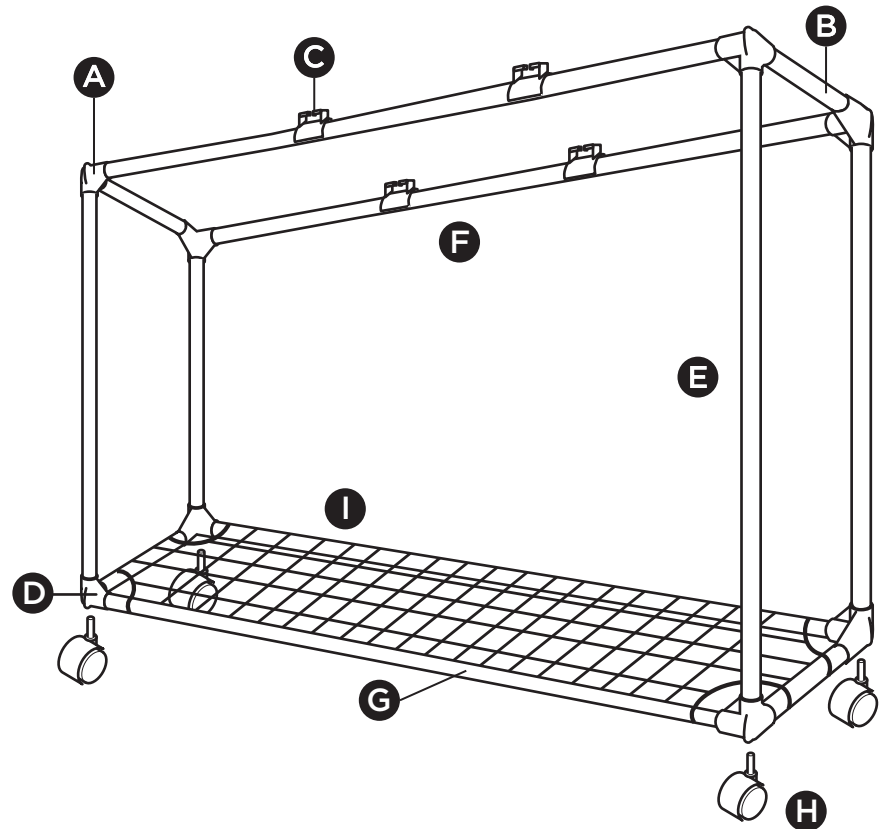
DIMENSIONS

30.5 in H x 30.5 in W x 16 in D  
(77.4 cm H x 77.4 cm W x 40.6 cm D)

**IMPORTANT! Plead read prior to use.** This 3 bag mesh laundry sorter is designed for indoor use. Please do not over-load. Please do not use laundry sorter for anything other than its intended use.

Please do not allow children or pets to hide in laundry sorter.  
Please keep away from heat sources such as heaters and fireplaces.

(QTY) DESCRIPTION	PART	ILLUSTRATION
(4) 3-way fittings	<b>A</b>	
(4) short tubes	<b>B</b>	
(4) bag anchors	<b>C</b>	
(4) 4-way fittings	<b>D</b>	
(4) upright tubes	<b>E</b>	
(2) upper tubes	<b>F</b>	
(2) tubes	<b>G</b>	
(4) casters	<b>H</b>	
(1) mesh bottom	<b>I</b>	
(3) mesh bags	<b>J</b>	

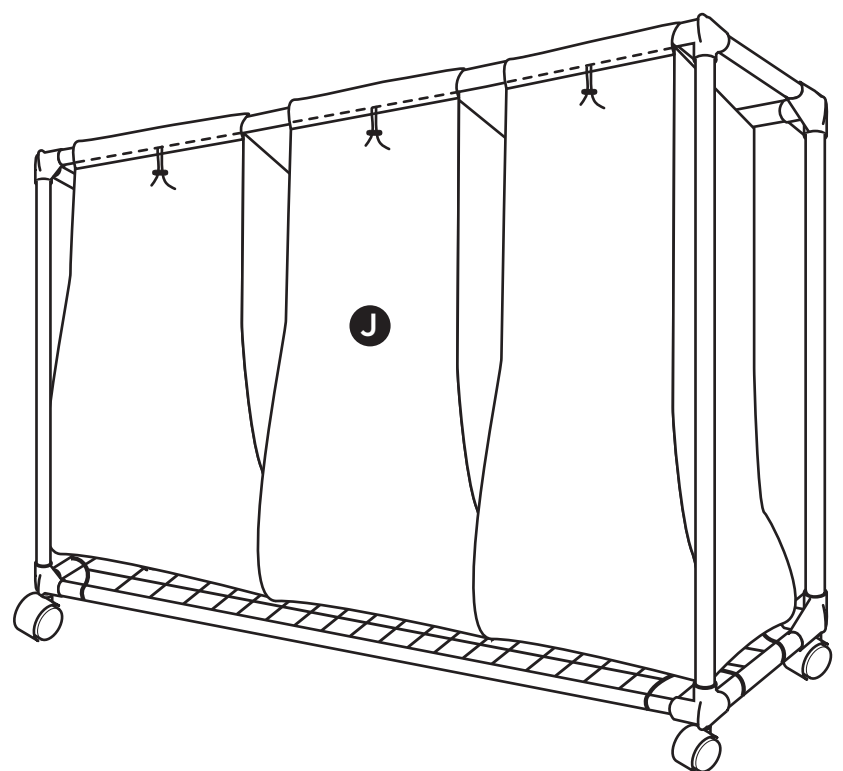


**\*\*\*Please Note: Casters must be pushed firmly and completely into place. Once caster insertion begins they will not be removable.**

### INSTRUCTIONS

Thank you for purchasing our 3 bag mesh laundry sorter. Please follow these step-by-step instructions. Please plan to spend about 5 minutes assembling your new laundry sorter.

- To begin, insert tubes **(G)** and **(B)** through mesh bottom **(I)** prior to attaching fitting, insert both **(G)** and **(B)** tubes into 4-way fittings **(D)**.
- Insert 4-way fittings **(D)** into short tubes **(B)** and upper tubes **(F)**.
- Insert upright tubes **(E)** into 4-way fittings, connecting the top and bottom frames.
- For bag anchor **(C)** installation, align peg in underside of bag anchor **(C)** with hole in upper tube **(F)**. Snap anchors **(C)** into place over tubing with peg extending into pre-drilled hole.
- Insert casters **(H)** into 4-way fittings **(D)**.
- For bag installations, install middle bag by fitting it around each of the four 4-bag anchors **(C)** on top of sorter frame. Tighten draw cord as necessary. Install second bag by fitting it around each of the 2 bag anchors **(C)** on top of sorter frame. Then pull towards the 2 corners securing the bag by pulling it over each corner's wing tab fitting **(A)**. Tighten draw cord as necessary. Repeat steps when installing third bag.
- Tighten all fittings securely.



For assistance, please contact us at [info@honeycando.com](mailto:info@honeycando.com) or 877.2.I.Can.Do.

### LIMITED LIFETIME WARRANTY

This product is warranted to be free of defects in material and workmanship for as long as the consumer owns the product. At Honey-Can-Do's option, defective product will be repaired, replaced or substituted with a product of equal value. For warranty service, e-mail Honey-Can-Do at [warranties@honeycando.com](mailto:warranties@honeycando.com) or call at (877) 242-2636. You may also contact Honey-Can-Do at 5750 McDermott Drive, Berkeley, IL 60163. Do not dispose of the defective item until or unless

you are specifically asked to do so by Honey-Can-Do as we may require return of the defective item. Honey-Can-Do shall in no event be liable for any incidental or consequential damages. Some states do not allow the exclusion or limitation of incidental or consequential damages, so the above exclusion may not apply to you. This warranty gives you specific legal rights, and you may also have additional rights, which may vary from state to state.

honey-can-do international

5750 McDermott Drive, Berkeley, IL 60163 USA

tele 877.242.2636

[www.honeycando.com](http://www.honeycando.com)