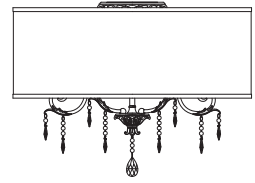
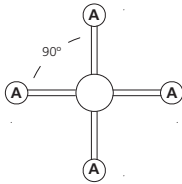


Item No. 4771



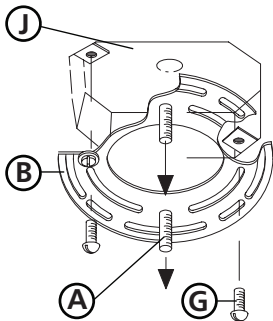
Drawing 1 - Fixture Assembly



▼ start here

page 1

Drawing 2 - Strap Detail



1

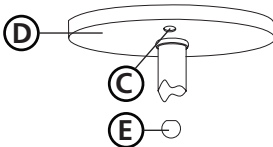
1. Find a clear area in which you can work.
2. Unpack fixture and glass from carton.
3. Carefully review instructions prior to assembly.

***** The construction of this fixture will be accomplished by first assembling the main body of the fixture, making all necessary electrical connections, hanging the fixture from the ceiling, and then installing the shade and crystals.**

2

1. Rotate arms (A) until they are approximately 90 degrees apart - see **Drawing 1** and **3**.
2. Fixture can be installed at this time.

Drawing 3 - Fixture Mounting

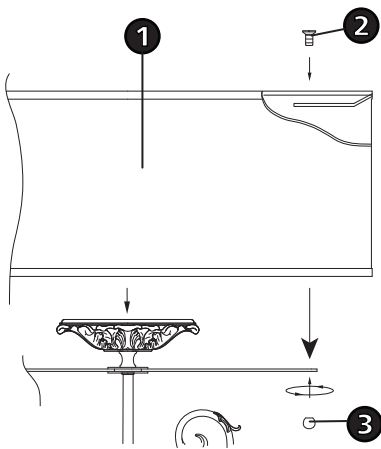


3

1. Prepare mounting strap (B) for mounting by installing screws (A) into mounting plate (B) - see **Drawing 2**.
 - Be sure the holes into which the screws are threaded match the spacing of holes (C) in the canopy (1) - see **Drawings 2 and 3**.
2. Attach mounting plate (B) to junction box (J), using screws (G) provided and slip supply wires through large center hole.

SAFETY WARNING: READ WIRING AND GROUNDING INSTRUCTIONS (I.S. 18) AND ANY ADDITIONAL DIRECTIONS. TURN POWER SUPPLY OFF DURING INSTALLATION. IF NEW WIRING IS REQUIRED, CONSULT A QUALIFIED ELECTRICIAN OR LOCAL AUTHORITIES FOR CODE REQUIREMENTS.

Drawing 2 - Fixture Assembly



4

- Make electrical connections from supply wire to fixture lead wires. Refer to instruction sheet (I.S. 18) and follow all instructions to make all necessary wiring connections. Then return back to this sheet to continue installation of this fixture.

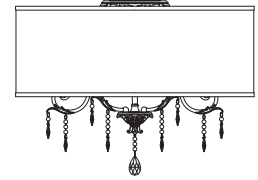
5

1. Hang the fixture by slipping canopy (D) over screws (B) and hold in position - see **Drawings 2 and 3**.
2. Thread ball knobs (E) onto end of screws (B) and tighten to secure fixture to ceiling.

6

1. To install shade (1), slip shade over fixture installed fixture body and place tab (T) on top of crossbar (S) and align holes in tab with holes in crossbar -see **Drawing 4**.
2. Slip screw (2) through holes in tab and crossbar and thread on ball knob (3) to secure shade to fixture.
3. See page 2 of instruction for crystal installation.

Item No. 4771



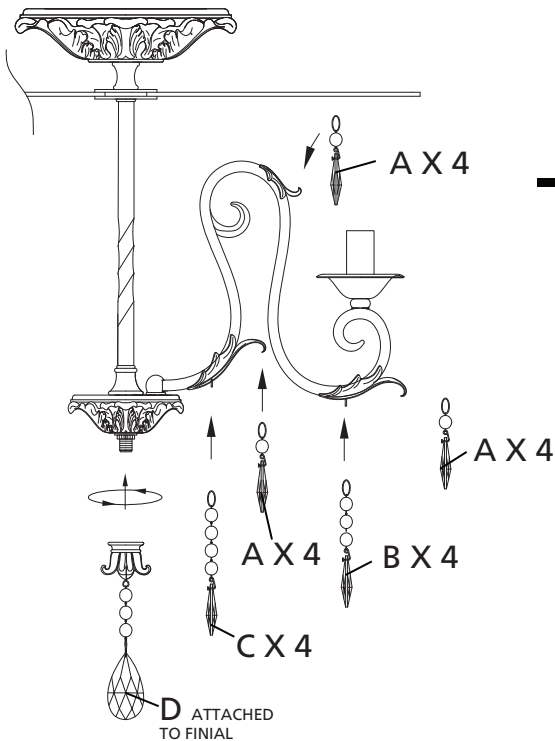
▼ start here

page 2

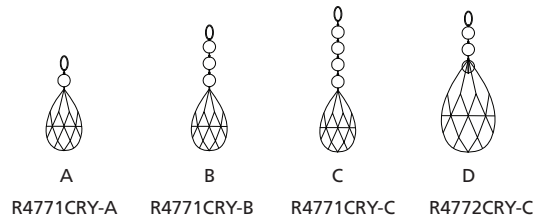
1. Find a clear area in which you can work.
2. Unpack fixture and glass from carton.
3. Carefully review instructions prior to assembly.

1. To complete assembly, first thread bottom finial **(3)** with crystal **(F)** attached onto bottom of fixture - see **Drawing 2**.
2. Proceed to attach crystals using **Drawing 2** as a reference guide. If a crystal must be replaced, please use the part no.s provided below the crystal drawings when ordering.
3. The crystals are referenced with the quantity (Ex. ? x 6) required following the letter.

01.01.13



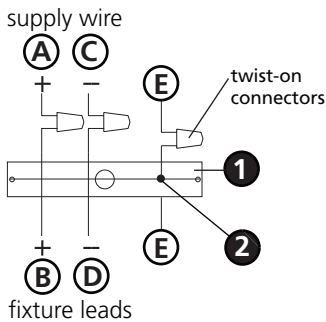
CRYSTAL IDENTIFICATION



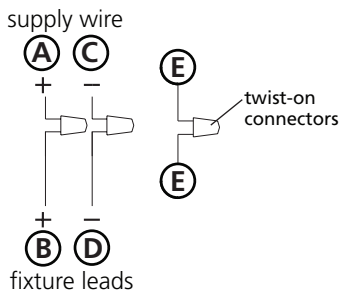
Drawing 1 - Flush Mount



Drawing 2 - Chain Hung



Drawing 3 - Post-Mount



SAFETY WARNING: READ WIRING AND GROUNDING INSTRUCTIONS (I.S. 18) AND ANY ADDITIONAL DIRECTIONS. TURN POWER SUPPLY OFF DURING INSTALLATION. IF NEW WIRING IS REQUIRED, CONSULT A QUALIFIED ELECTRICIAN OR LOCAL AUTHORITIES FOR CODE REQUIREMENTS.

wiring instructions

Indoor Fixtures

1. Connect positive supply wire **(A)** (typically black or the smooth, unmarked side of the two-conductor cord) to positive fixture lead **(B)** with appropriately sized twist on connector - see **Drawings 1 or 2**.
2. Connect negative supply wire **(C)** (typically white or the ribbed, marked side of the two-conductor cord) to negative fixture lead **(D)**.
3. Please refer to the **grounding instructions** below to complete all electrical connections.

Outdoor Fixtures

1. Connect positive supply wire **(A)** (typically black or the smooth unmarked side of the two-conductor cord) to positive fixture lead **(B)** with appropriately sized twist on connector - see **Drawings 2 or 3**.
2. Connect negative supply wire **(C)** (typically white or the ribbed, marked side of the two-conductor cord) to negative fixture lead **(D)**.
3. Cover open end of connectors with silicone sealant to form a watertight seal.
 - If installing a wall mount fixture, use caulk to seal gaps between the fixture mounting plate (backplate) and the wall. This will help prevent water from entering the outlet box. If the wall surface is lap siding, use caulk and a fixture mounting platform specially.
4. Please refer to the **grounding instructions** below to complete all electrical connections.

grounding instructions

Flush Mount Fixtures

For positive grounding in a 3-wire electrical system, fasten the fixture ground wire **(E)** (typically copper or green plastic coated) to the fixture mounting strap **(1)** with the ground screw **(2)** - see **Drawing 1**.

Note: On straps for screw supported fixtures, first install the two mounting screws in strap. Any remaining tapped hole may be used for the ground screw.

Chain Hung Fixtures

Loop fixture ground wire **(E)** (typically copper or green plastic coated) under the head of the ground screw **(2)** on fixture mounting strap **(1)** and connect to the loose end of the fixture ground wire directly to the ground wire of the building system with appropriately sized twist-on connectors - see **Drawing 2**.

Post-Mount Fixtures

Connect fixture ground wire **(E)** (typically copper or green plastic coated) to power supply ground with appropriately sized twist-on connector inside post. Cover open end of connector with silicone sealant to form a watertight seal - see **Drawing 3**.