



Assembly Instructions for 4225 BW

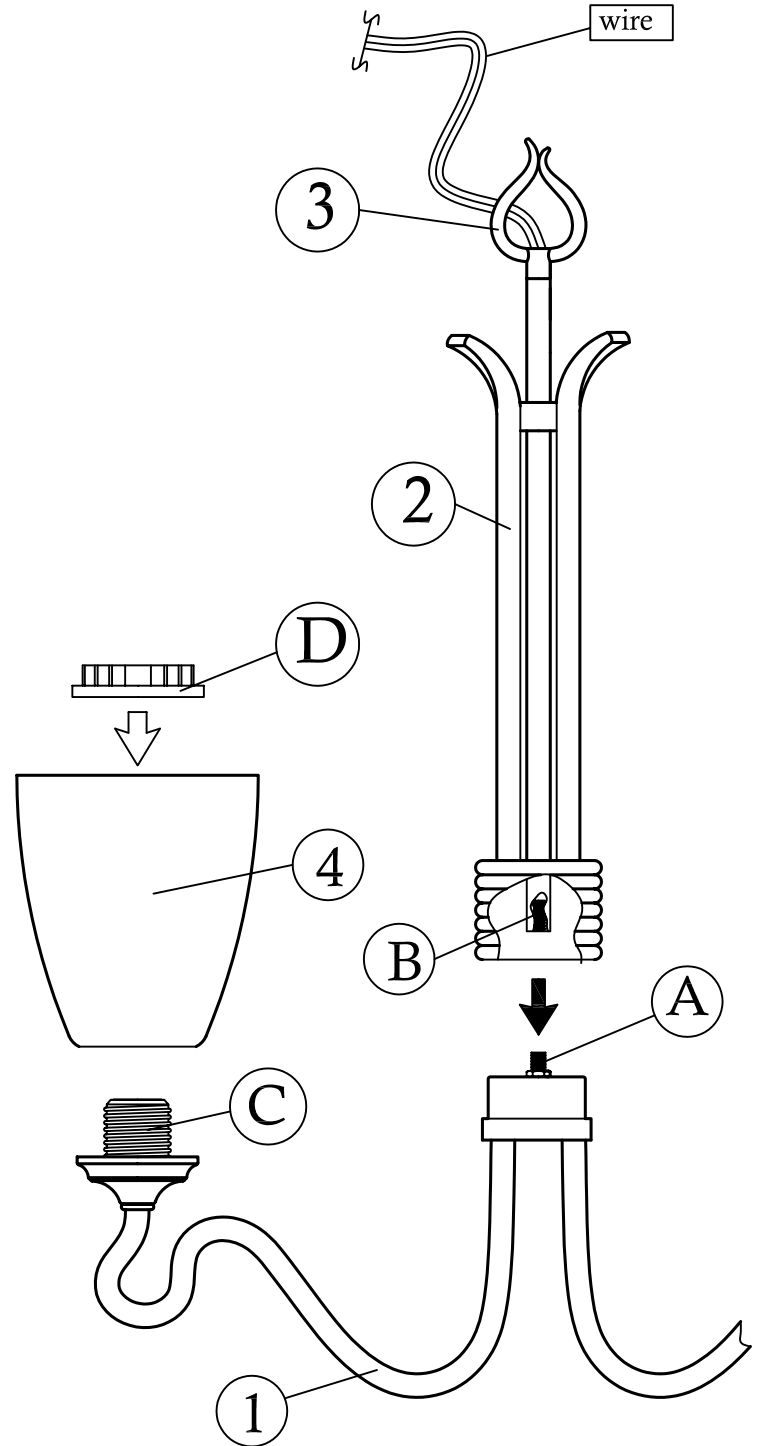
1. Take fixture center stem (3), center column (2) and body assembly (1). Now slip center column (2) over center of body assembly (1). Now slide center stem (3) along wire and thread end (B) onto nipple (A) of body assembly (1).

2. Take the arms of the fixture and spread them out until they are evenly spaced at 72 degrees apart. (See Drawing 2 Below)

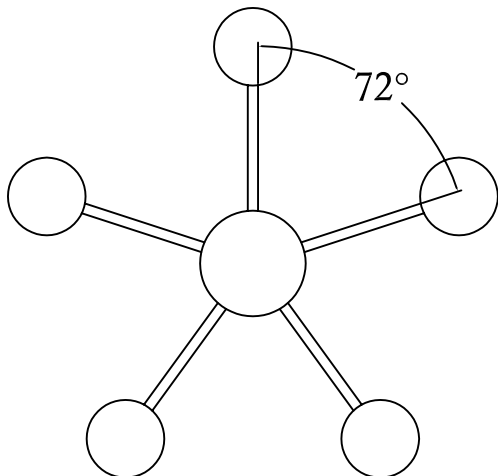
3. Attach glass to fixture by removing retainer ring (D) from socket (C). Now place glass over socket (C) and thread ring (D) back onto socket. Hand tighten only do not use any tools to tighten ring. It may cause glass to crack.

4. Fixture is ready for mounting. Please follow mounting instructions on back of this instruction sheet.

Drawing 1



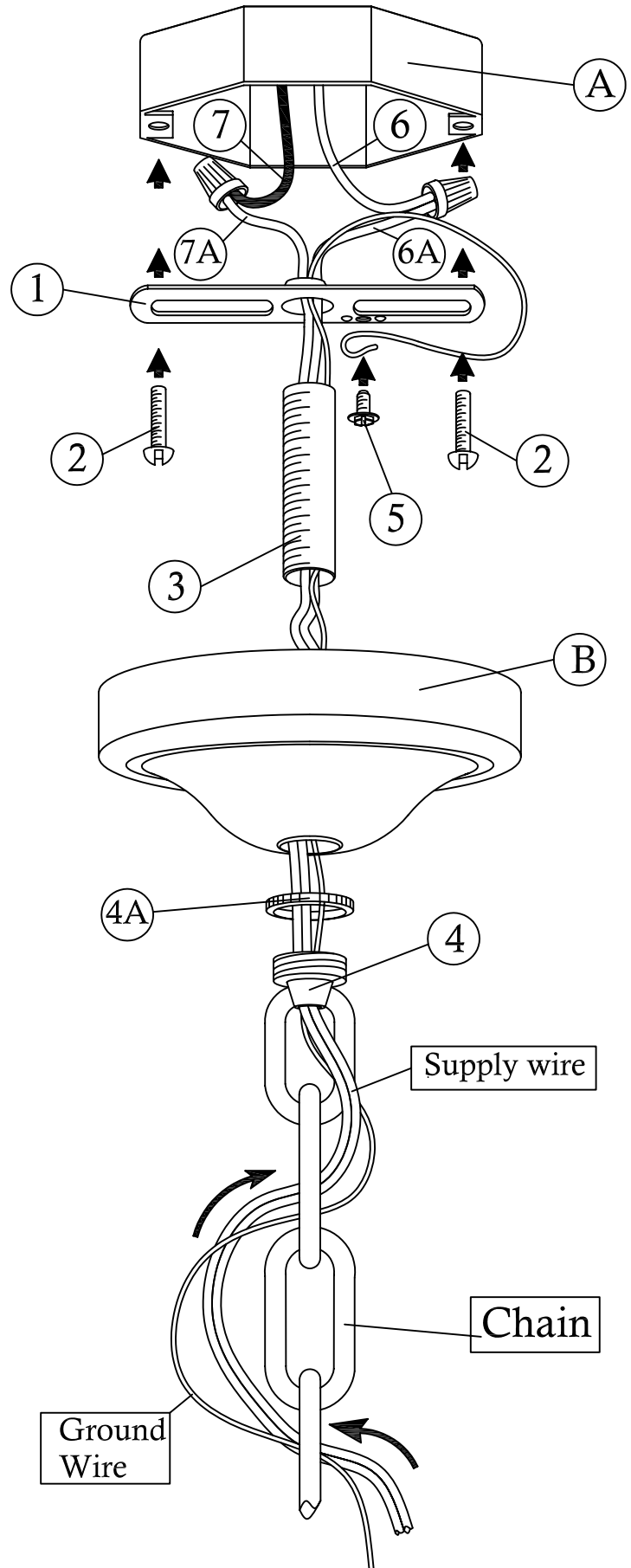
Drawing 2



Mounting Instructions for 4225 BW

Mounting instructions

1. Shut current off before starting. If the fixture you are replacing is turned on and off by a wall switch, simply turn the switch off. If not, remove the appropriate fuse (or open the circuit breakers) until the fixture is dead. Do not restore current - either by fuse, breaker or switch - until the new fixture is completely wired and in place.
2. Fasten mounting strap (1) to outlet box (A) with the original outlet box screws (2).
3. Thread nipple (3) in to the mounting strap (1), as illustrated.
4. Thread loop (4) on to end of nipple (3).
5. Slip canopy (B) over loop (4) and adjust height of loop so half of thread area is exposed. (see Drawing 3 below)
6. Taking the chain, determine the length you require, and attach one end of the chain to the fixture. Now slip loop collar (4A) and canopy (B) onto chain.
7. Now attach other end of chain to loop (4). Please get assistance during this step. Since fixture may be heavy and difficult to hold while attaching chain.
8. Unwrap supply wire and ground wire and weave them up through the chain. Then slip supply wire and ground wire through center of loop (4).
9. Connect ground wire to mounting strap (1) using green ground screw (5).
10. Now connect outlet box wires to fixture leads. Important: connect white outlet box wire (6) to ribbed or white fixture lead (6A). Then connect black or red outlet box wire (7) to smooth or black fixture lead (7A).
11. Slip canopy up firmly against the ceiling, and secure by turning the threaded collar (4A) on loop (4) until tight.



Drawing 3

half of thread area of loop (4) is to be exposed. This will allow collar (4A) to be threaded on later.

