

Assembly Instructions for 4073 MC

Use Drawing 1 for reference:

1. Center column (2) can be attached to main body assembly (1), by slipping center column (2) along wire and threading the end of nipple (B) into coupler (A).

2. Now slip glass (3) over socket (C) making sure it checks inside the body ring (D). Now slip ring (4) over socket (C) and set it on top of glass (3).

3. Now slip decorative tubing (5) over socket (C) making sure it checks onto top of decorative ring (4). Then slip decorative top (6) over socket and onto the top of decorative ring (5).

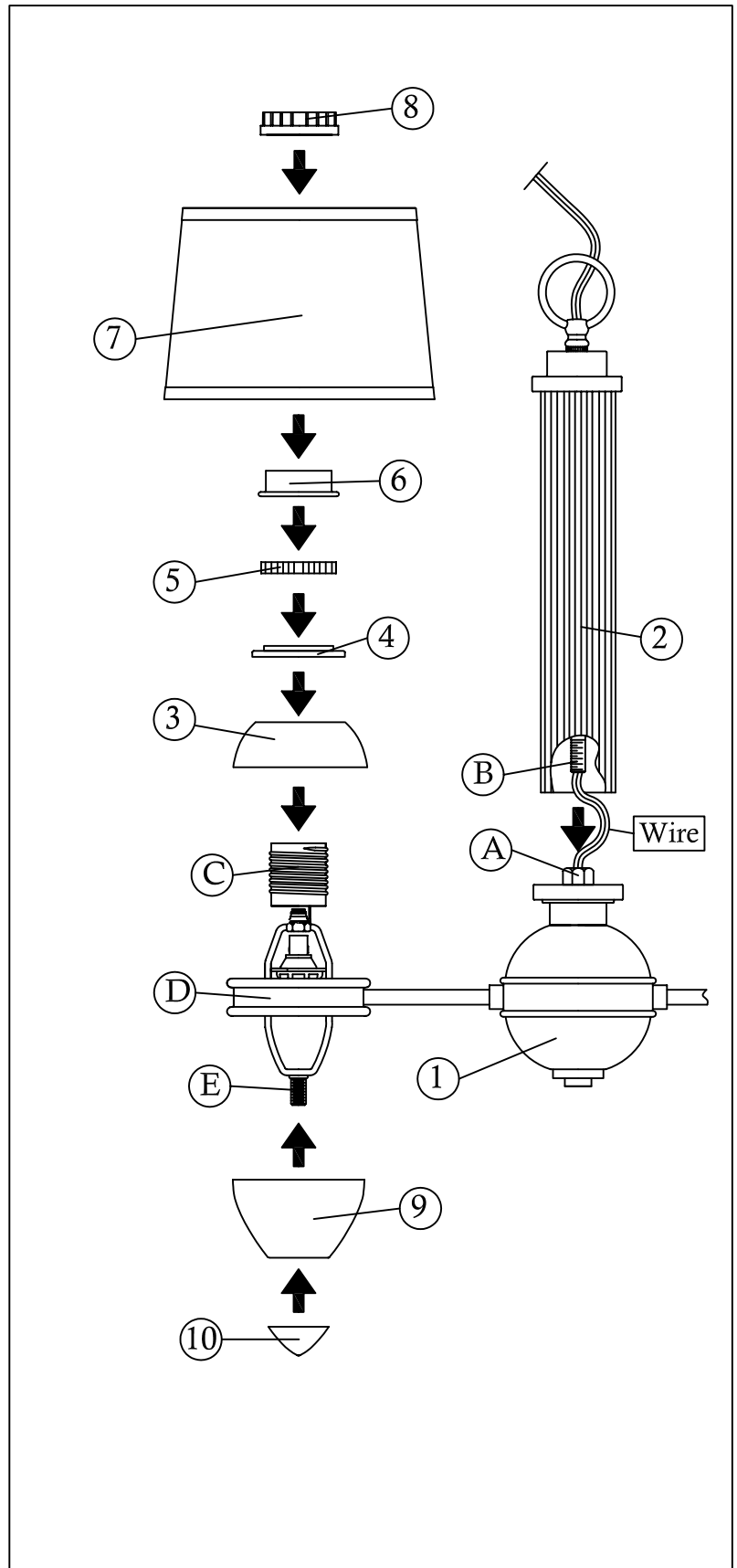
4. Now slip shade (7) over socket (C) and thread ring (8) onto socket to secure the assembly. Hand tighten socket ring (8) by hand only. Over tightening could cause glass damage.

Note: Fixture can be mounted at this point. Please follow mounting instructions on the back of this instruction sheet.

Note: Please lamp lower socket of fixture using a 7 watt bulb.

4. Bottom glass (9) is attached by slipping it onto the bottom of the main fixture body (1) over nipple (E). Then thread decorative knob (10) onto nipple (E).

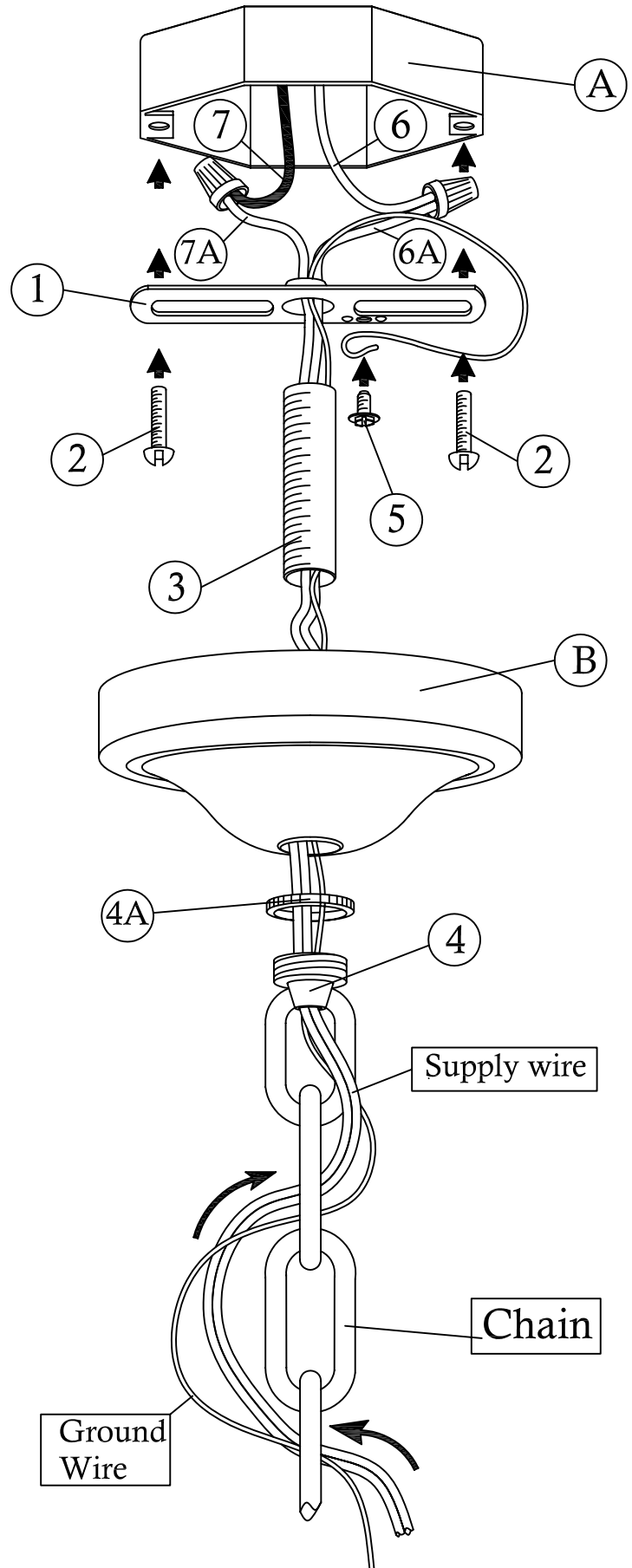
Top of fixture can be lamped. Please note: Maximum wattage is 60 watts per bulb.



Mounting Instructions for 4073 MC

Mounting instructions

1. Shut current off before starting. If the fixture you are replacing is turned on and off by a wall switch, simply turn the switch off. If not, remove the appropriate fuse (or open the circuit breakers) until the fixture is dead. Do not restore current - either by fuse, breaker or switch - until the new fixture is completely wired and in place.
2. Fasten mounting strap (1) to outlet box (A) with the original outlet box screws (2).
3. Thread nipple (3) in to the mounting strap (1), as illustrated.
4. Thread loop (4) on to end of nipple (3).
5. Slip canopy (B) over loop (4) and adjust height of loop so half of thread area is exposed. (see Drawing 3 below)
6. Taking the chain, determine the length you require, and attach one end of the chain to the fixture. Now slip loop collar (4A) and canopy (B) onto chain.
7. Now attach other end of chain to loop (4). Please get assistance during this step. Since fixture may be heavy and difficult to hold while attaching chain.
8. Unwrap supply wire and ground wire and weave them up through the chain. Then slip supply wire and ground wire through center of loop (4).
9. Connect ground wire to mounting strap (1) using green ground screw (5).
10. Now connect outlet box wires to fixture leads. Important: connect white outlet box wire (6) to ribbed or white fixture lead (6A). Then connect black or red outlet box wire (7) to smooth or black fixture lead (7A).
11. Slip canopy up firmly against the ceiling, and secure by turning the threaded collar (4A) on loop (4) until tight.



Drawing 3

half of thread area of loop (4) is to be exposed. This will allow collar (4A) to be threaded on later.

