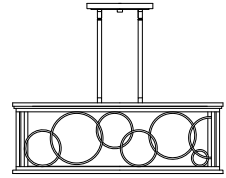
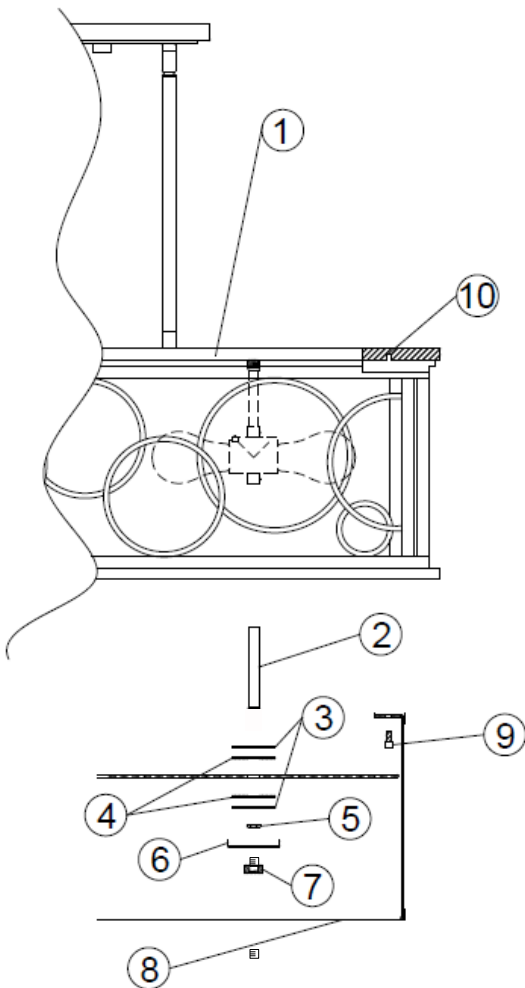


Item No. 3287



## ▼ start here

Drawing 1 - Fixture Assembly



1

1. Find a clear area in which you can work.
2. Unpack fixture and glass from carton.
3. Carefully review instructions prior to assembly.

**\*\*\* The construction of this fixture will be accomplished by first assembling the main body of the fixture, attaching the mounting strap to the junction box, making all necessary electrical connections, hanging the fixture from the ceiling, installing the shade, and then installing the glass lens.**

2

1. Fixture can now be installed. Please follow instruction sheet IS-19-84 provided. After installation return to this section for Glass installation instructions.

3

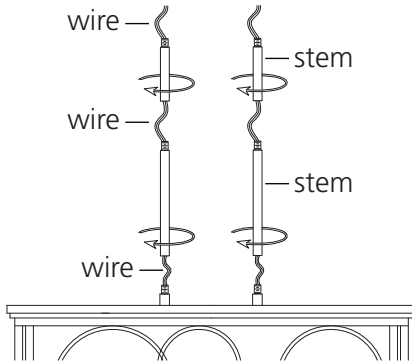
**SAFETY WARNING: READ WIRING AND GROUNDING INSTRUCTIONS (I.S. 18) AND ANY ADDITIONAL DIRECTIONS. TURN POWER SUPPLY OFF DURING INSTALLATION. IF NEW WIRING IS REQUIRED, CONSULT A QUALIFIED ELECTRICIAN OR LOCAL AUTHORITIES FOR CODE REQUIREMENTS.**

4

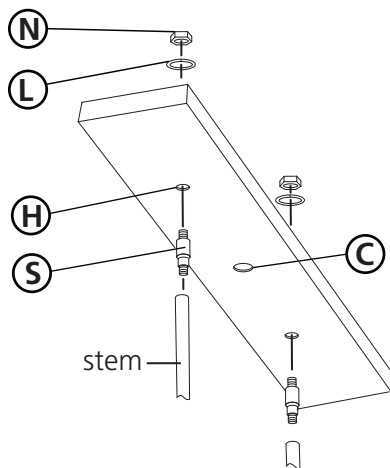
1. Before installing Glass, the fixture can be lamped accordingly.
2. Thread the nipple (2) into the wire body.
3. Slide the shade (8) into place, and screw knobs (9) into crossbar (10)
4. Slide one flat steel washer (5) onto the nipple (2), then one rubber washer (6), glass (7), then again with the remaining rubber washer (6), the remaining flat steel washer (5), and thread on the Hex nut (8).
5. Slide on decorative cover (9) followed by the decorative knob (10).

# ▼ start here

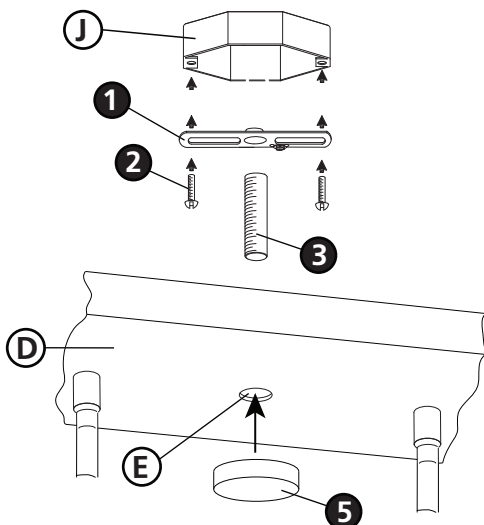
**Drawing 1 - Fixture Assembly**



**Drawing 2 - Canopy Assembly**



**Drawing 2 - Fixture Installation**



**SAFETY WARNING: READ WIRING AND GROUNDING INSTRUCTIONS (I.S. 18) AND ANY ADDITIONAL DIRECTIONS. TURN POWER SUPPLY OFF DURING INSTALLATION. IF NEW WIRING IS REQUIRED, CONSULT A QUALIFIED ELECTRICIAN OR LOCAL AUTHORITIES FOR CODE REQUIREMENTS.**

**1**

1. Shut off electrical current before starting. If the fixture you are replacing is turned on and off by a wall switch, simply turn the switch off. If not, remove the appropriate fuse (or open the circuit breakers) until the fixture is dead.

- DO NOT restore current - either by fuse, breaker or switch - until the new fixture is completely wired and in place.

**2**

1. Determine the desired height the chandelier will be installed.

2. The fixture is supplied with assorted stems sizes. Determine what combination of stems are needed to achieve desired length - see **Drawing 1**.

3. Slip stems over wire and thread first stem into coupler on top of chandelier, longest stem first. Repeat this process until all required stems are threaded together.

**3**

1. To attach canopy first thread swivels (S) onto end of stems attached to the fixture. **NOTE:** supply wire will slip through one of the swivels - see **Drawing 2**.

**NOTE:** If fixture is to be mounted on a sloped ceiling adjust swivels so they will pivot properly.

2. Slip swivels through mounting holes (H) in canopy (D) and attach by slipping lockwasher (L) over end of swivel and threading on hex nut (N) and tightening to secure swivel to canopy.

**4**

1. Follow wiring instruction sheet (IS 18), and make all necessary electrical connections.

**5**

1. Fasten mounting strap (1) to outlet box (J) with the original outlet box screws (2) - see **Drawing 3**.

2. Thread nipple (3) into mounting strap (1) approximately 3/8" .

4. Make electrical connections from supply wire to fixture lead wires. Refer to instruction sheet (I.S. 18) and follow all instructions to make all necessary wiring connections.

5. Slip center hole (E) of canopy (D) over nipple (3) and slide up till canopy is against ceiling. Hold fixture in position.

6. Thread decorative finial (4) onto end of nipple (3) and tighten to secure fixture to ceiling.

## Drawing 1 - Flush Mount



## Drawing 2 - Chain Hung



## Drawing 3 - Post-Mount



**SAFETY WARNING: READ WIRING AND GROUNDING INSTRUCTIONS (I.S. 18) AND ANY ADDITIONAL DIRECTIONS. TURN POWER SUPPLY OFF DURING INSTALLATION. IF NEW WIRING IS REQUIRED, CONSULT A QUALIFIED ELECTRICIAN OR LOCAL AUTHORITIES FOR CODE REQUIREMENTS.**

## wiring instructions

### Indoor Fixtures

1. Connect positive supply wire **(A)** (typically black or the smooth, unmarked side of the two-conductor cord) to positive fixture lead **(B)** with appropriately sized twist on connector - see **Drawings 1 or 2**.
2. Connect negative supply wire **(C)** (typically white or the ribbed, marked side of the two-conductor cord) to negative fixture lead **(D)**.
3. Please refer to the **grounding instructions** below to complete all electrical connections.

### Outdoor Fixtures

1. Connect positive supply wire **(A)** (typically black or the smooth unmarked side of the two-conductor cord) to positive fixture lead **(B)** with appropriately sized twist on connector - see **Drawings 2 or 3**.
2. Connect negative supply wire **(C)** (typically white or the ribbed, marked side of the two-conductor cord) to negative fixture lead **(D)**.
3. Cover open end of connectors with silicone sealant to form a watertight seal.
  - If installing a wall mount fixture, use caulk to seal gaps between the fixture mounting plate (backplate) and the wall. This will help prevent water from entering the outlet box. If the wall surface is lap siding, use caulk and a fixture mounting platform specially.
4. Please refer to the **grounding instructions** below to complete all electrical connections.

## grounding instructions

### Flush Mount Fixtures

For positive grounding in a 3-wire electrical system, fasten the fixture ground wire **(E)** (typically copper or green plastic coated) to the fixture mounting strap **(1)** with the ground screw **(2)** - see **Drawing 1**.

Note: On straps for screw supported fixtures, first install the two mounting screws in strap. Any remaining tapped hole may be used for the ground screw.

### Chain Hung Fixtures

Loop fixture ground wire **(E)** (typically copper or green plastic coated) under the head of the ground screw **(2)** on fixture mounting strap **(1)** and connect to the loose end of the fixture ground wire directly to the ground wire of the building system with appropriately sized twist-on connectors - see **Drawing 2**.

### Post-Mount Fixtures

Connect fixture ground wire **(E)** (typically copper or green plastic coated) to power supply ground with appropriately sized twist-on connector inside post. Cover open end of connector with silicone sealant to form a watertight seal - see **Drawing 3**.