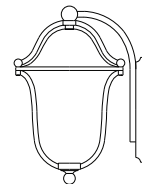
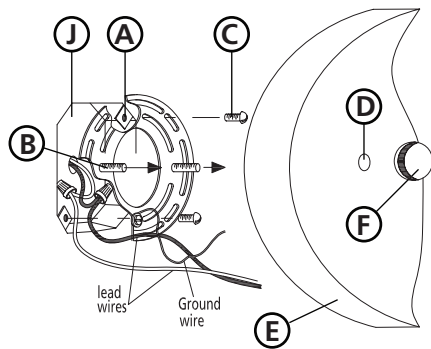


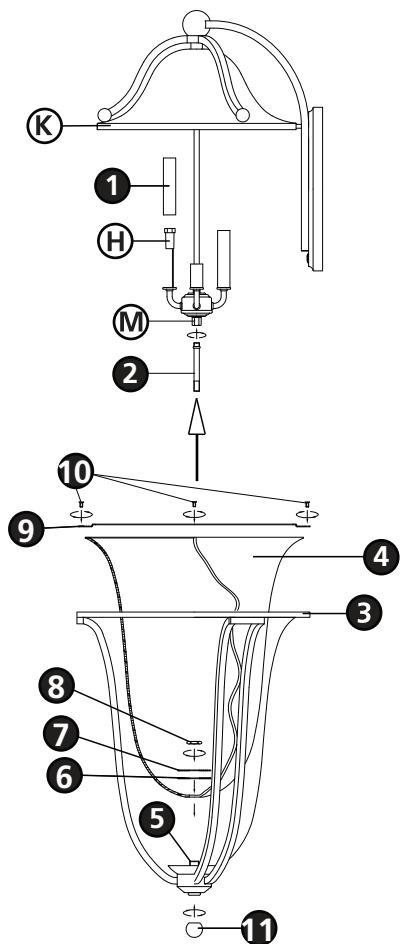
Family: Bolla | Item No. 2639



**Drawing 1 - Fixture Mounting**



**Drawing 2 - Fixture Assembly**



## ▼ start here

**1**

1. Find a clear area in which you can work.
2. Unpack fixture and glass from carton.
3. Carefully review instructions prior to assembly.

**\*\*\* The construction of this fixture will be accomplished by first mounting the mounting strap to the junction box, making all necessary electrical connections, mounting the fixture to the wall, and then assembling the main body of the fixture.**

**2**

1. Prepare mounting strap (A) by threading the two 1 1/4" long mounting screws (B) into the back of the universal strap - see **Drawing 1**.
  - Be sure the holes into which the screws are threaded match the spacing of holes (D) in the back plate (E).
2. Attach mounting strap (A) to junction box (J) using two 1" screws (C) provided.

**SAFETY WARNING: READ WIRING AND GROUNDING INSTRUCTIONS (I.S. 18) AND ANY ADDITIONAL DIRECTIONS. TURN POWER SUPPLY OFF DURING INSTALLATION. IF NEW WIRING IS REQUIRED, CONSULT A QUALIFIED ELECTRICIAN OR LOCAL AUTHORITIES FOR CODE REQUIREMENTS.**

Make electrical connections from supply wire to fixture lead wires. Refer to instruction sheet (I.S. 18) and follow all instructions to make all necessary wiring connections. Then refer back to this sheet to continue installation of this fixture.

**3**

1. To mount fixture, slip the two mounting screws (B) through the two mounting holes (D) in the backplate (E) - see **Drawing 1**.
2. While holding fixture in place, thread the two ball knobs (F) on to the end of the mounting screws (B), and tighten.

**4**

1. Slip candle sleeve (1) over socket (H) located on cluster assembly (M) of main body assembly (K) - see **Drawing 2**.
2. Thread tubing (2) into base of cluster assembly (M).

**5**

1. To assembly cage (3) slip glass (4) over tube (5) in bottom of cage. - see **Drawing 2**.
2. Slip rubber washer (6) over tube (5) followed by metal washer (7).
3. Thread hex nut (8) onto tube (5) to secure glass.
4. Place ring (9) on top of cage, align holes and attach using the 3 screws (10).
5. To attach cage (3) to main body (K), slip tube (3) through center of tube (5) and hold assembly in position.
6. Thread ball knob (11) onto end of tube (3) and tighten to secure glass to fixture.

Note: Maximum wattage for 2639 fixture is 40 watts per bulb.

7.13.09