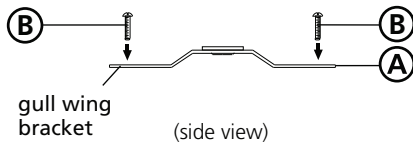


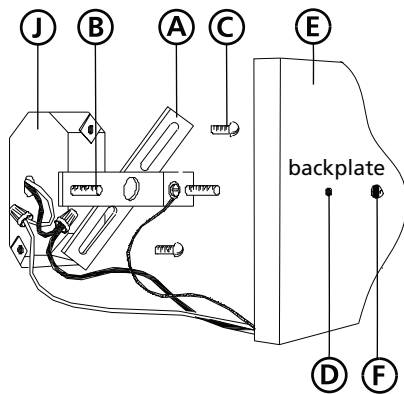
Item No. 1890-LED

## ▼ start here

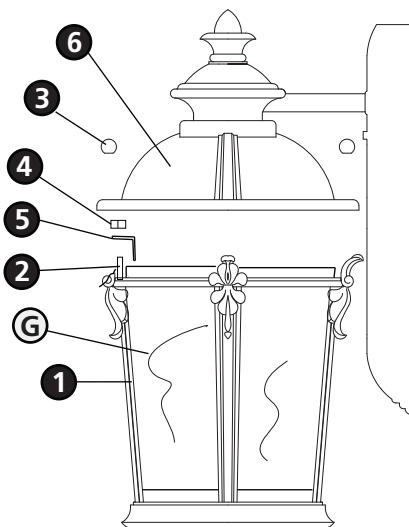
**Drawing 1 - Strap Detail**



**Drawing 2 - Fixture Mounting**



**Drawing .3 - Glass installation**



**1**

1. Find a clear area in which you can work.
2. Unpack fixture and glass from carton.
3. Carefully review instructions prior to assembly.

**\*\*\* The construction of this fixture will be accomplished by first assembling the fixture, installing the mounting hardware, making all necessary electrical connections, and then mounting the fixture.**

**2**

1. To assemble fixture, thread ball knob **(2)** onto top of main fixture body **(1)** - see **Drawing 3**.
2. Remove socket ring **(3)** from socket **(4)**.
3. Slip cage assembly **(5)** over socket **(4)** and hold in position.
4. Thread socket ring **(3)** onto socket **(4)** to secure cage assembly.

**3**

1. Prepare mounting strap **(A)** by threading the two long mounting screws **(B)** into the back of the gull wing bracket - see Drawing 1.
  - Be sure the holes into which the screws are threaded match the spacing of holes **(D)** in the back plate **(E)** - see Drawings 1 and 2.
2. Attach mounting strap **(A)** to junction box **(J)** using two screws **(C)** not provided - see **Drawing 2**.

**SAFETY WARNING: READ WIRING AND GROUNDING INSTRUCTIONS (I.S. 18) AND ANY ADDITIONAL DIRECTIONS. TURN POWER SUPPLY OFF DURING INSTALLATION. IF NEW WIRING IS REQUIRED, CONSULT A QUALIFIED ELECTRICIAN OR LOCAL AUTHORITIES FOR CODE REQUIREMENTS.**

**4**

Make electrical connections from supply wire to fixture lead wires. Refer to instruction sheet **(I.S. 18)** and follow all instructions to make all necessary wiring connections. Then refer back to this sheet to continue installation of this fixture.

**5**

1. Slide backplate **(E)** over screws **(B)** and secure with ball knobs **(F)** - see **Drawing 2**.
2. Fixture can now be lamped accordingly.

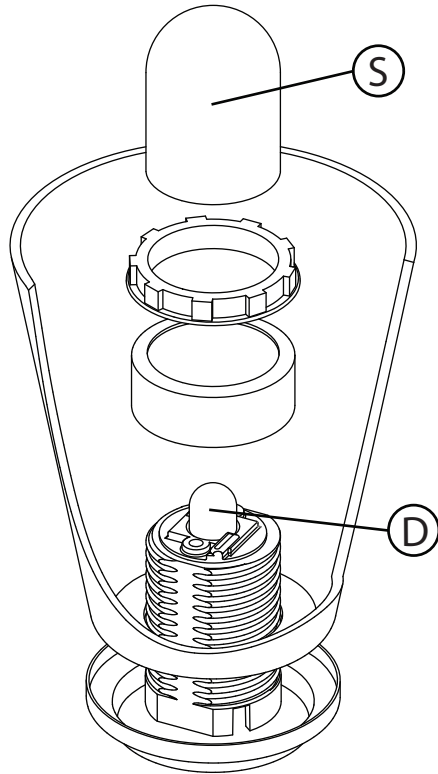
**6**

1. Remove cage assembly **(1)** by unscrewing ball knobs **(3)** - see **Drawing 3**.
2. To install glass, remove nuts **(4)** which retain glass clips **(5)**.
3. Slide glass **(G)** into cage.
4. Replace glass clips **(5)** using nuts **(4)** that were removed earlier.
5. Replace cage assembly **(1)** by slipping studs **(2)** through holes in roof assembly **(6)**.
6. Thread ball knobs **(3)** onto end of studs.

### ▼ start here

Safety Warning: read wiring and grounding instructions (I.S. 18) and any additional directions, Turn power supply off during installation. If new wiring is required, consult a qualified electrician or local authorities for code requirements.

#### LESM-100 Assembly Example



\*\*\* NOTE: For wiring of the LESM-100 there is no difference than the wiring for any other 120V fixture so follow the I.S.-18 provided with your fixture.

- In the drawing provided on this sheet there is a example of a standard LESM-100 assembly so follow the wiring instructions on the I.S.-18 provided with your fixture.
- In the event that the Yellow Dome (D) becomes displaced and blue light is visible from the fixture contact the factory for repair.
- The bulb shield (S) shown in the drawing is considered a decorative component and it's purpose is for decorative and outdoor reasons only and is not required for operation.
- In the event of an failure in result of the LED, contact the factory for service options.
- LED is intended to last the life of the fixture.

### ▼ empezar aquí

Advertencia de seguridad: cableado leer y las instrucciones de conexión a tierra (I.S. 18), e instrucciones adicionales, Cortar el suministro eléctrico durante la instalación. Si se necesita un nuevo cableado, consulte a un electricista cualificado o de las autoridades locales para los requisitos del código.

\*\*\* NOTA: Para cableado del LESM-100 no hay ninguna diferencia que el cableado de cualquier otro dispositivo de 120V así que siga el IS-18 se suministra con el aparato.

- En el dibujo se facilita en esta hoja hay un ejemplo de un conjunto estándar LESM-100 así que siga las instrucciones de cableado en la IS-18 se suministran con el aparato.
- En el caso de que la Cúpula amarillo (D) se desplace y la luz azul es visible desde el contacto fixture la fábrica para su reparación.
- La pantalla de bombilla (S) que se muestra en el dibujo se considera un componente decorativo y su propósito es sólo para motivos decorativos y al aire libre y no se requiere para la operación.
- En el caso de un fallo en el resultado de la LED, póngase en contacto con la fábrica para conocer las opciones de servicio.
- LED está diseñado para durar toda la vida del aparato.

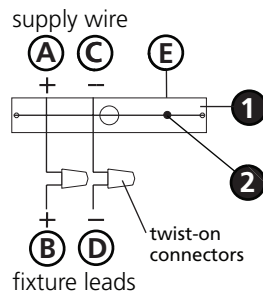
### ▼ commencez ici

Avertissement de sécurité: câblage lire et instructions de mise à la terre (I.S. 18) et les instructions supplémentaires, couper l'alimentation électrique pendant l'installation. Si un nouveau câblage n'est nécessaire, consulter un électricien qualifié ou les autorités locales pour les exigences du code.

\*\*\* NOTE: Pour le câblage de la LESM-100 il n'y a pas de différence que le câblage de tout autre appareil 120V afin de suivre l'IS-18 fourni avec votre appareil.

- Dans le dessin figurant sur cette feuille, il est un exemple d'une norme LESM-100 ensemble afin de suivre les instructions de câblage sur l'IS-18 fournis avec votre appareil.
- Dans le cas où le Dôme Jaune (D) se déplace et la lumière bleue est visible à partir du contact de fixation de l'usine pour réparation.
- L'écran de lampe (S) représenté sur le dessin est considéré comme un élément de décoration et son but est pour des raisons décoratives et de plein air seulement et n'est pas nécessaire pour le fonctionnement.
- Dans le cas d'un échec dans la suite de la LED, veuillez contacter l'usine pour les options de service.
- LED est destinée à durer toute la vie de l'appareil.

### Drawing 1 - Flush Mount



### Drawing 2 - Chain Hung



### Drawing 3 - Post-Mount



**SAFETY WARNING: READ WIRING AND GROUNDING INSTRUCTIONS (I.S. 18) AND ANY ADDITIONAL DIRECTIONS. TURN POWER SUPPLY OFF DURING INSTALLATION. IF NEW WIRING IS REQUIRED, CONSULT A QUALIFIED ELECTRICIAN OR LOCAL AUTHORITIES FOR CODE REQUIREMENTS.**

## wiring instructions

### Indoor Fixtures

1. Connect positive supply wire **(A)** (typically black or the smooth, unmarked side of the two-conductor cord) to positive fixture lead **(B)** with appropriately sized twist on connector - see **Drawings 1 or 2**.
2. Connect negative supply wire **(C)** (typically white or the ribbed, marked side of the two-conductor cord) to negative fixture lead **(D)**.
3. Please refer to the **grounding instructions** below to complete all electrical connections.

### Outdoor Fixtures

1. Connect positive supply wire **(A)** (typically black or the smooth unmarked side of the two-conductor cord) to positive fixture lead **(B)** with appropriately sized twist on connector - see **Drawings 2 or 3**.
2. Connect negative supply wire **(C)** (typically white or the ribbed, marked side of the two-conductor cord) to negative fixture lead **(D)**.
3. Cover open end of connectors with silicone sealant to form a watertight seal.
  - If installing a wall mount fixture, use caulk to seal gaps between the fixture mounting plate (backplate) and the wall. This will help prevent water from entering the outlet box. If the wall surface is lap siding, use caulk and a fixture mounting platform specially.
4. Please refer to the **grounding instructions** below to complete all electrical connections.

## grounding instructions

### Flush Mount Fixtures

For positive grounding in a 3-wire electrical system, fasten the fixture ground wire **(E)** (typically copper or green plastic coated) to the fixture mounting strap **(1)** with the ground screw **(2)** - see **Drawing 1**.

Note: On straps for screw supported fixtures, first install the two mounting screws in strap. Any remaining tapped hole may be used for the ground screw.

### Chain Hung Fixtures

Loop fixture ground wire **(E)** (typically copper or green plastic coated) under the head of the ground screw **(2)** on fixture mounting strap **(1)** and connect to the loose end of the fixture ground wire directly to the ground wire of the building system with appropriately sized twist-on connectors - see **Drawing 2**.

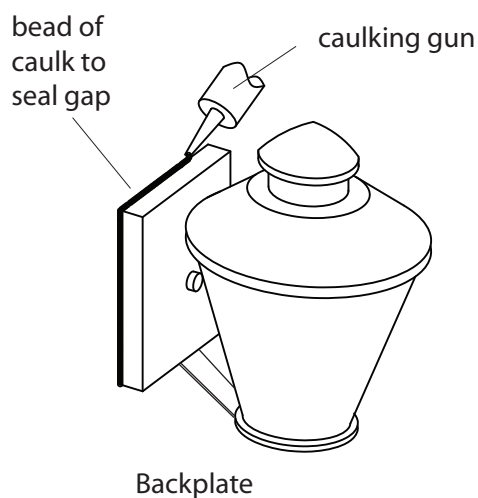
### Post-Mount Fixtures

Connect fixture ground wire **(E)** (typically copper or green plastic coated) to power supply ground with appropriately sized twist-on connector inside post. Cover open end of connector with silicone sealant to form a watertight seal - see **Drawing 3**.

### ▼ start here

1. After securing fixture to the wall it is recommended that the gap between the wall and fixture backplate be sealed with any good quality waterproof caulk or silicone sealant. (NOT INCLUDED) See Drawing 1.

Drawing 1



1. After securing fixture in place it is recommended that the gap between the mounting top and fixture base be sealed with any good quality waterproof caulk or silicone sealant. (NOT INCLUDED). It is also recommended that a small bead of caulk or sealant be put under the ball knobs used to mount fixture. See Drawing 2.

Drawing 2

