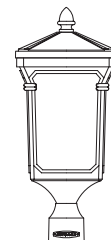
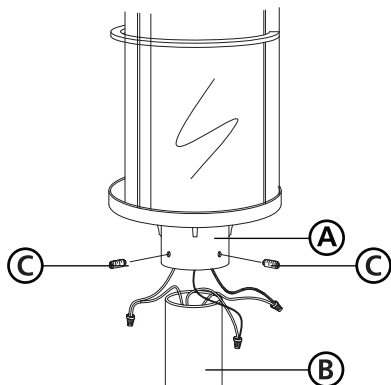


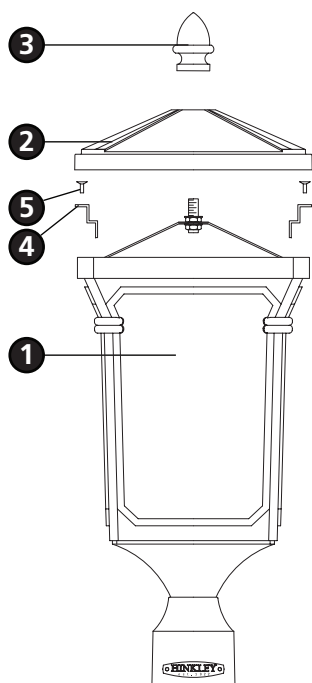
Family: Stratford | Item No. 1351 AU/MB



Drawing 1 - Fixture Mounting



Drawing 2 - Glass Replacement



▼ start here

1

1. Find a clear area in which you can work.
2. Unpack fixture and glass from carton.
3. Carefully review instructions prior to assembly.

***** The construction of this fixture will be accomplished by first making all necessary electrical connections, mounting the fixture to pre-installed post and then lamping fixture.**

2

1. Fixture is mounted using 3 - 1/4-20 set screws.
2. Make all necessary electrical connections following wiring instructions below.

SAFETY WARNING: READ WIRING AND GROUNDING INSTRUCTIONS (I.S. 18) AND ANY ADDITIONAL DIRECTIONS. TURN POWER SUPPLY OFF DURING INSTALLATION. IF NEW WIRING IS REQUIRED, CONSULT A QUALIFIED ELECTRICIAN OR LOCAL AUTHORITIES FOR CODE REQUIREMENTS.

3

Make electrical connections from supply wire to fixture lead wires. Refer to instruction sheet **(I.S. 18)** and follow all instructions to make all necessary wiring connections. Then refer back to this sheet to continue installation of this fixture.

4

1. After wiring connections are complete, slip post fitter **(A)** over top of pre-installed post **(B)** making sure all wire connections are tucked inside the pole - see **Drawing 1**.
2. When fixture is slipped over pole make sure no wires are being pinched between the top edge of the pole and the inside of the post fitter.
3. Thread the 3 set screws **(C)** into pre-tapped holes in post fitter.
4. Tighten screw **(C)** to secure fixture to post.
5. To lamp fixture, unscrew finial **(3)** from top of roof **(2)** and remove roof **(2)** from main body **(1)** - see **Drawing 2**.
6. Fixture can now be lamped accordingly.
7. To reassemble, follow step 5 in reverse order.

Glass Replacement Instructions - see **Drawing 2**.

1. Remove roof **(2)** from cage **(1)** by unscrewing the 2 ball knobs **(3)** on opposite sides of the fixture.
2. Remove the 4 glass clips **(4)** by removing the screws **(5)** that hold them in place.
3. Pull out glass assembly.
4. To insert replacement glass, follow steps 1-3 in reverse order.

Note: Maximum wattage for 1351 fixture is 100 watts per bulb.

3.28.08