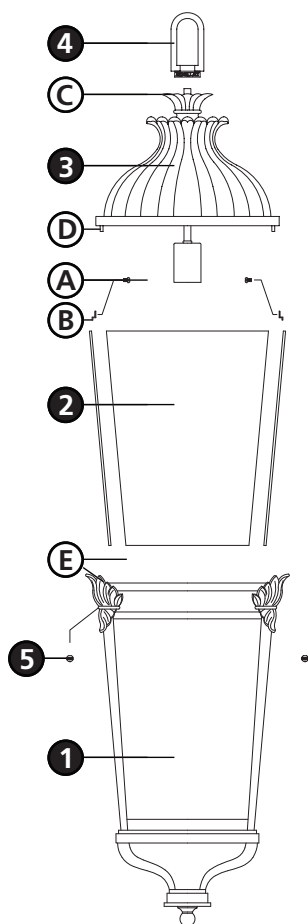


## Drawing 1 - Fixture Assembly



## ▼ start here

1

1. Find a clear area in which you can work.
2. Unpack fixture and glass from carton.
3. Carefully review instructions prior to assembly.

**\*\*\* The construction of this fixture will be accomplished by first installing the glass, completing the main roof assembly, installing the mounting hardware, hanging the main roof assembly, making all necessary wiring connections, and then attaching the cage assembly to the roof.**

2

1. To install glass, remove screw (A) from glass clip (B) located on the inside of the cage assembly.
2. Slip glass (2) into cage assembly.
3. Replace glass clips (B) using screws (A) removed earlier.
4. To complete main roof assembly, pull wire exiting roof (3) and slip loop (4) along wire and thread onto nipple (C).

**SAFETY WARNING: READ WIRING AND GROUNDING INSTRUCTIONS (I.S. 18) AND ANY ADDITIONAL DIRECTIONS. TURN POWER SUPPLY OFF DURING INSTALLATION. IF NEW WIRING IS REQUIRED, CONSULT A QUALIFIED ELECTRICIAN OR LOCAL AUTHORITIES FOR CODE REQUIREMENTS.**

3

Make electrical connections from supply wire to fixture lead wires. Refer to instruction sheet (I.S. 18) and follow all instructions to make all necessary wiring connections. Then refer to the hanging instruction sheet (I.S. 19) provided to complete installation of this fixture. Then refer back to this sheet to lamp fixture.

4

1. Prior to assembling cage, fixture can be lamped accordingly.
2. To assemble cage, slip studs (D) located on roof (3) through the holes (E) located on the outer edge of cage assembly (1), and hold in position.
3. Thread ball knob (5) onto end of stud (D) and tighten.

Note: Maximum wattage for 1292 fixture is 100 watts per bulb.

2.7.08