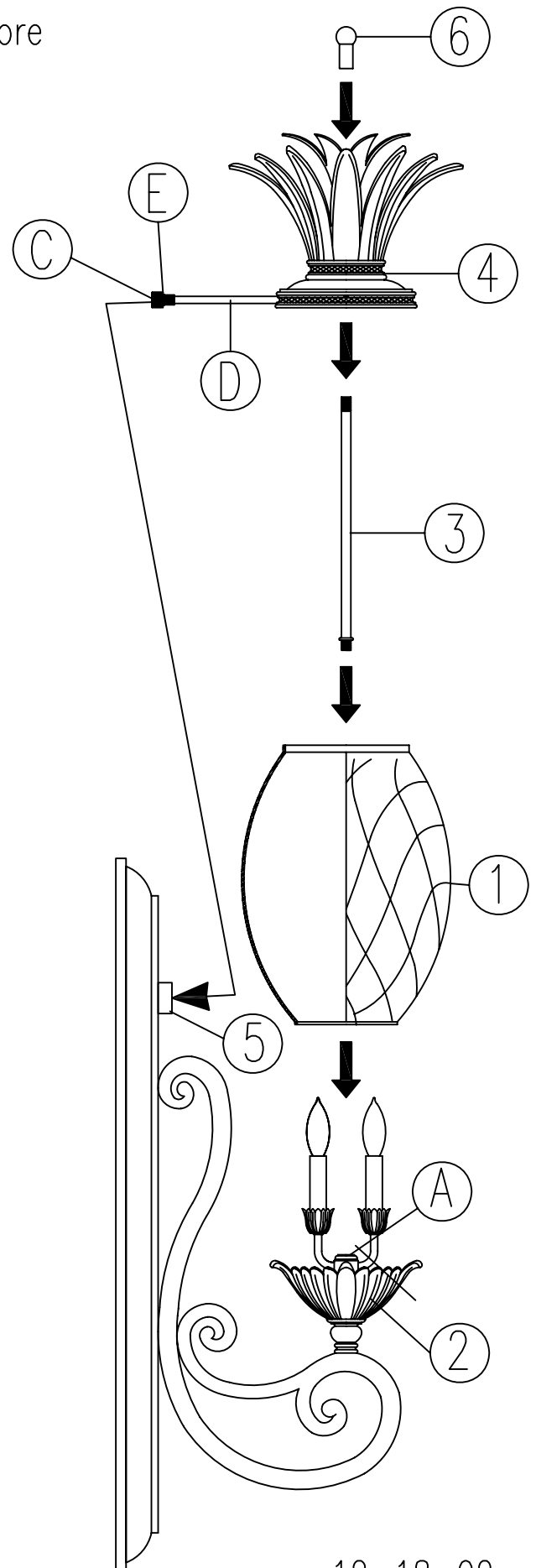


Note: See mounting instructions on back before proceeding.

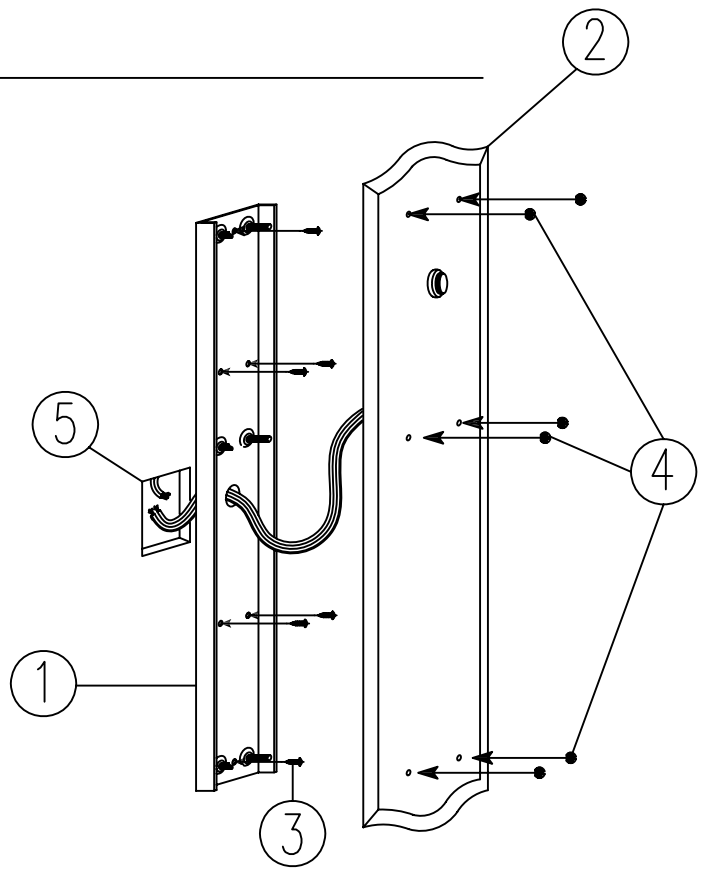
Steps for re-lamping and assembling

1. Slip glass (1) over cluster body and down onto fixture base (2)
2. Thread center stem (3) into top of cluster body (A).
3. Slip fixture crown (4) over center stem (3).
4. Thread knurled cap (C), on arm, (D) to back plate at attachment point. (5). Tighten secondary knurled cap (E) against knurled cap (C) to secure arm in place.
5. Thread top finial (6) onto center stem (3).



# Mounting Instructions for 2224

1. Remove 6 ball knobs (4) from fixture and remove retaining plate (1).
2. Thread wires from junction box through 9/16" hole in retaining plate.
3. Remove appropriate knockouts and mount retainer plate (1) to outlet box (5).  
Using the 6 screws (3) provided. Attach retaining plate to wall at the six extra mounting points indicated.
4. Fixture can now be wired. NOTE: follow wiring instructions below.
5. Attach fixture to retaining plate using the 6 ball knobs (4) that were removed earlier



## Wiring & Grounding Instructions

**SAFETY WARNING:** Read wiring and grounding instructions and any additional installation directions. Turn power supply off during installation. If new wiring is required, consult a qualified electrician or local authority for code requirements.

**WIRING INSTRUCTIONS (INDOOR FIXTURES):** Connect positive supply wire (black or red) to positive fixture lead with appropriately sized twist-on connector. Connect negative (white) supply wire to negative fixture lead.

**WIRING INSTRUCTIONS (OUTDOOR FIXTURES):** Connect positive supply wire (black or red) to positive fixture lead with appropriately sized twist-on connector. Connect negative (white) supply wire to negative fixture lead.

Cover open end of connectors with silicone sealant to form a watertight seal. If installing a wall-mount fixture, use caulk to seal gaps, between the fixture mounting plate (backplate) and the wall. This will help prevent water from entering the outlet box. If the wall surface is lap siding, use caulk and a fixture mounting platform specially designed for lap siding.

### IDENTIFICATION OF FIXTURE LEADS:

**POSITIVE:** Black, or with woven plain cloth cover or smooth and unmarked side of two-conductor cord.

**NEGATIVE:** White, or with woven cloth cover with tracer, or with ribbed or printed side of two conductor cord.

### GROUNDING INSTRUCTIONS:

**FOR FLUSH-MOUNT FIXTURES:** For positive grounding in a 3-wire electrical system, fasten the system ground to the fixture mounting strap with the green ground screw. Note: On straps for screw supported fixtures, first install the two mounting screws in strap. Any remaining tapped hole may be used for the ground screw.

**FOR CHAIN HUNG FIXTURES:** Loop fixture ground wire under the head of the ground screw on mounting strap, and connect the loose end of the fixture ground wire directly to the ground wire of the building system, with appropriately sized twist-on connectors.

**FOR POST - MOUNT FIXTURES:** Connect fixture ground to power supply ground with appropriately sized twist-on connector inside post. Cover open end of connector with silicone sealant to form a watertight seal.

## WIRING DIAGRAMS:

