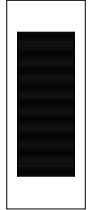
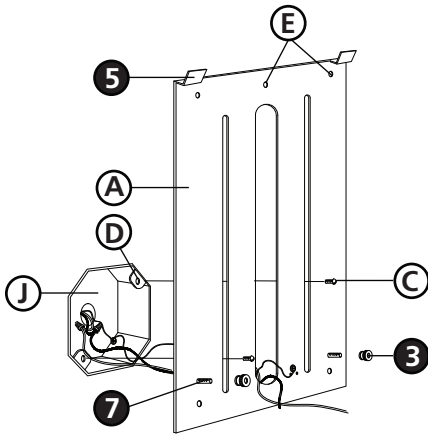


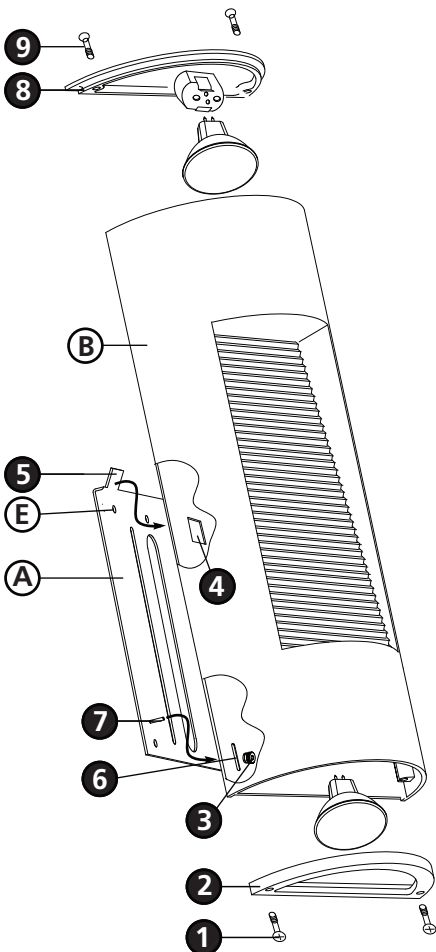
Family: Luna | Item No. 1664/1660 TT/BZ



Drawing 1 - Fixture Mounting



Drawing 2 - Fixture Mounting



▼ start here

- 1** Find a clear area in which you can work.
- 2** Unpack fixture and glass from carton.
- 3** Carefully review instructions prior to assembly.

***** The construction of this fixture will be accomplished by first attaching the mounting strap to the junction box, making all necessary electrical connections, mounting the fixture to the wall, and then lamping the fixture.**

- 2**
 - 1.** Remove mounting bracket (A) from back of fixture (B) by unthreading the 2 screws (1) from the bottom lens cover (2) and remove lens cover (2). Unthread the two 8-32 battery nuts (3) from inside the lamp compartment - see **Drawing 2**.
 - 2.** Pull the bottom of the mounting bracket (A) away from the fixture, then slide it down to remove.
 - 3.** Determine the desired height of fixture (B) and mounting bracket (A).
Note: The top of the fixture is 9 inches(1664) / 7 1/2 inches(1660) from the top of the mounting bracket (A).
 - 4.** Attach mounting bracket (A) to junction box (J) by threading 2 screws (C) provided into holes (D) of junction box (J) - see **Drawing 1**.
 - 5.** Secure mounting bracket using hole(s) (E) with self provided screws.

SAFETY WARNING: READ WIRING AND GROUNDING INSTRUCTIONS (I.S. 18) AND ANY ADDITIONAL DIRECTIONS. TURN POWER SUPPLY OFF DURING INSTALLATION. IF NEW WIRING IS REQUIRED, CONSULT A QUALIFIED ELECTRICIAN OR LOCAL AUTHORITIES FOR CODE REQUIREMENTS.

Note: This fixture requires two grounds to be connected. One on mounting bracket(A) and another on the back of fixture(B).

- 3** Make electrical connections from supply wire to fixture lead wires. Refer to instruction sheet (I.S. 18) and follow all instructions to make all necessary wiring connections. Then refer back to this sheet to continue installation of this fixture.

- 4**
 - 1.** To mount fixture, line up rectangular cut outs (4) on back of fixture (B) with hooks (5) on the top of mounting bracket (A). Holding the fixture at a slight angle slide cut outs (4) over both hooks (5), then slide slots (6) from the bottom back of fixture (B) over screws (7) on mounting bracket (A). - see **Drawing 2**.
 - 2.** Thread the two 8-32 battery nuts (3) provided onto screws (7).

- 5**
 - 1.** Bottom of fixture can now be lamped accordingly.
 - 2.** Re-place bottom lens cover (2) and secure with the 2 screws (1) - see **Drawing 2**.
 - 3.** To lamp top of fixture. remove lens cover (8) by un-threading 2 screws (9).
 - 4.** Top of fixture can now be lamped accordingly.
 - 5.** Replace lens cover (8) and secure with the 2 screws (9).

Note: Maximum wattage for 1664 /1660 fixture is 2-12 Volt, 20w/MR-16.