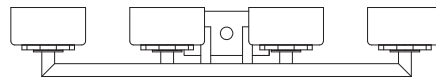
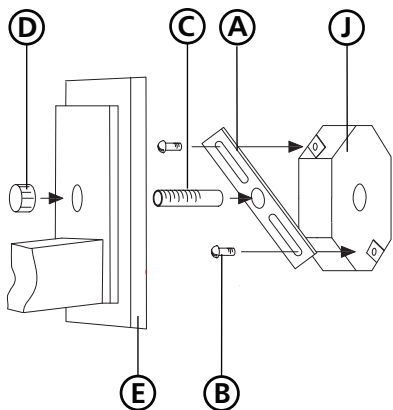


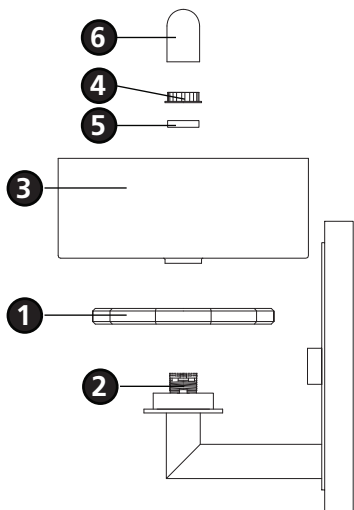
Family: Ashbury | Item No. 5704 CM



Drawing 1 - Fixture Mounting



Drawing 2 - Glass Installation



▼ start here

1

1. Find a clear area in which you can work.
2. Unpack fixture and glass from carton.
3. Carefully review instructions prior to assembly.

***** The construction of this fixture will be accomplished by first attaching the mounting strap to the junction box, making all necessary electrical connections, mounting the fixture to the wall and then installing the glass.**

2

1. Prepare mounting strap **(A)** by threading 1-5/8" nipple into the center hole of the mounting strap **(A)**, approximately 1/4" - see **Drawing 1**.
2. Attach mounting strap **(A)** to junction box **(J)** using two 1" screws **(C)** provided.

SAFETY WARNING: READ WIRING AND GROUNDING INSTRUCTIONS (I.S. 18) AND ANY ADDITIONAL DIRECTIONS. TURN POWER SUPPLY OFF DURING INSTALLATION. IF NEW WIRING IS REQUIRED, CONSULT A QUALIFIED ELECTRICIAN OR LOCAL AUTHORITIES FOR CODE REQUIREMENTS.

3

Make electrical connections from supply wire to fixture lead wires. Refer to instruction sheet **(I.S. 18)** and follow all instructions to make all necessary wiring connections. Then refer back to this sheet to continue installation of this fixture.

4

1. To mount fixture, slip center hole of backplate **(E)** over nipple **(C)** and hold fixture in position - see **Drawing 1**.
2. Thread decorative knob **(D)** onto end of nipple **(C)** and tighten to secure fixture.

5

1. To install glass, slip octagon crystal **(1)** over socket **(2)** - see **Drawing 2**.
2. Place glass **(3)** over exposed section of socket **(2)**.
3. Slip spacer **(4)** and thread socket ring **(5)** onto socket **(2)**.
4. Fixture can now be lamped accordingly.
5. Thread glass bulb shield **(6)** onto socket **(2)**.
6. Repeat steps 1-5 for remaining glass.

Note: Maximum wattage for 5704 fixture is 60 watts per G9 bulb.

12.29.08