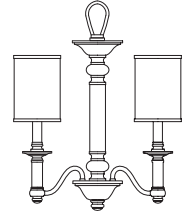
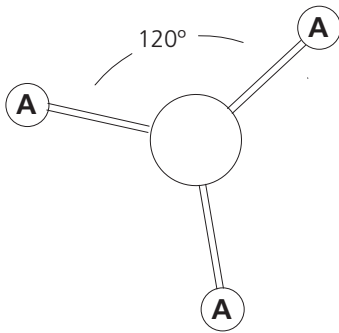


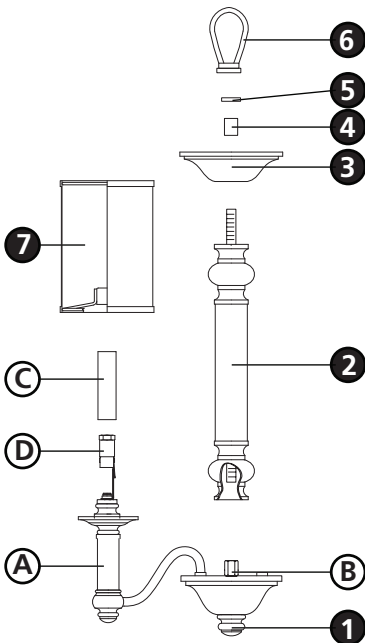
Family: Sussex | Item No. 4793 EZ/BN



Drawing 1 - Fixture Assembly



Drawing 2 - Fixture Assembly



▼ start here

1

1. Find a clear area in which you can work.
2. Unpack fixture and glass from carton.
3. Carefully review instructions prior to assembly.

***** The construction of this fixture will be accomplished by first assembling the main body of the fixture, making all necessary electrical connections, hanging the fixture from the ceiling and then installing the fixture shades.**

SAFETY WARNING: READ WIRING AND GROUNDING INSTRUCTIONS (I.S. 18) AND ANY ADDITIONAL DIRECTIONS. TURN POWER SUPPLY OFF DURING INSTALLATION. IF NEW WIRING IS REQUIRED, CONSULT A QUALIFIED ELECTRICIAN OR LOCAL AUTHORITIES FOR CODE REQUIREMENTS.

2

1. To assemble fixture, spread arms (A) of main body fixture (1), apart until they are equally spaced 120 degrees apart - see **Drawing 1**.
2. Slip center column (2) along wire and thread into coupler (B) - see **Drawing 2**.
3. Slip cap (3) along wire and onto top of center column (2).
4. Slip spacer (4) along wire and onto top of center column (2).
5. Slip knurl nut (5) along wire and thread onto top of center column (2) and tighten.
6. Slip loop (6) along wire and thread onto top of center column (2) and tighten.
7. Please refer to the hanging instruction sheet (I.S. 19) provided to hang fixture. Then refer back to this sheet to install glass.

3

1. Slip candle sleeve (C) over socket (D) - see **Drawing 2**.
2. Slip shade harp (7) over end of candle sleeve (C).
3. Fixture can now be lamped accordingly.

Note: Maximum wattage for 4793 fixture is 60 watts per bulb.

6.7.09