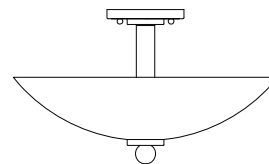
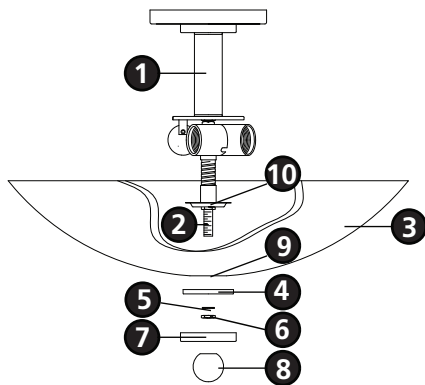


Family: Cooper | Item No. 4681



**Drawing 1 - Fixture Assembly**

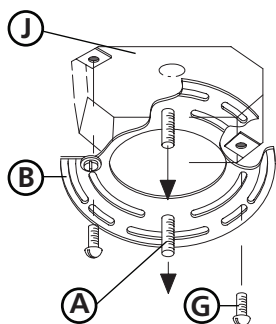


## ▼ start here

- 1** 1. Find a clear area in which you can work.
2. Unpack fixture and glass from carton.
3. Carefully review instructions prior to assembly.

**\*\*\* The construction of this fixture will be accomplished by first attaching the mounting strap to the junction box, making all necessary electrical connections, hanging the fixture from the ceiling, and then installing the glass.**

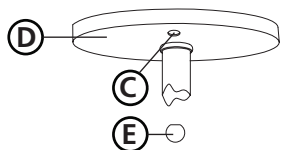
**Drawing 2 - Strap Detail**



- 2** 1. Prepare mounting strap (**B**) for mounting by installing screws (**A**) into mounting plate (**B**) - see **Drawing 2**.
  - Be sure the holes into which the screws are threaded match the spacing of holes (**C**) in the canopy (**1**) - see **Drawings 2 and 3**.
2. Attach mounting plate (**B**) to junction box (**J**), using screws (**G**) provided and slip supply wires through large center hole.

**SAFETY WARNING: READ WIRING AND GROUNDING INSTRUCTIONS (I.S. 18) AND ANY ADDITIONAL DIRECTIONS. TURN POWER SUPPLY OFF DURING INSTALLATION. IF NEW WIRING IS REQUIRED, CONSULT A QUALIFIED ELECTRICIAN OR LOCAL AUTHORITIES FOR CODE REQUIREMENTS.**

**Drawing 3 - Fixture Mounting**



- 3** 1. Hang the fixture by slipping canopy (**D**) over screws (**B**) and hold in position - see **Drawings 2 and 3**.
  2. Thread ball knobs (**E**) onto end of screws (**B**) and tighten to secure fixture to ceiling.
- 4** 1. Main body of fixture (**1**) can be mounted to the ceiling and lamped accordingly prior to installing the glass - see **Drawing 1**.
  2. To install glass (**3**), locate the large center hole (**9**) in the glass (**3**), onto mounting plate (**10**) and hold in position. Assistance during the following steps is recommended.
  3. Slip cap (**4**) onto threaded center stem (**2**), followed by lockwasher (**5**). Hold parts and glass in position.
  4. Thread hex nut (**6**) onto center stem (**2**) and hold in position
  5. Thread ball knob (**8**) onto end of center stem (**2**) and tighten to complete assembly.

Note: Maximum wattage for 4681 fixture is 100 watts per bulb.

10.18.10