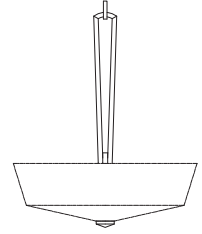
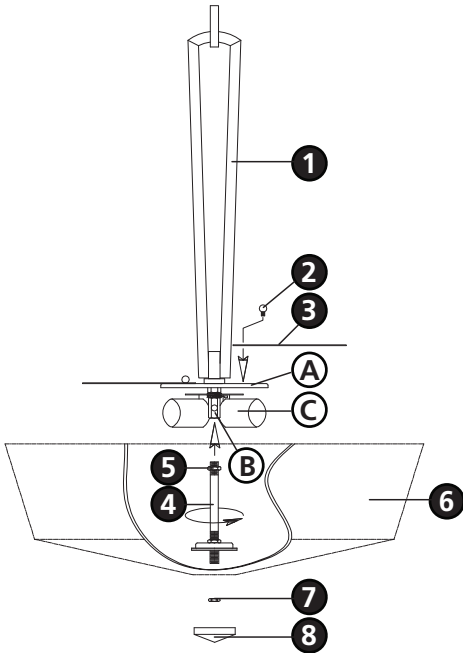


Family: Parker | Item No. 4434 KZ



Drawing 1 - Fixture Assembly



▼ start here

1

1. Find a clear area in which you can work.
2. Unpack fixture and glass from carton.
3. Carefully review instructions prior to assembly.

***** The construction of this fixture will be accomplished by first assembling the main body structure, installing the mounting hardware to the junction box, hanging the fixture from the ceiling and then installing the fixture glass.**

SAFETY WARNING: READ WIRING AND GROUNDING INSTRUCTIONS (I.S. 18) AND ANY ADDITIONAL DIRECTIONS. TURN POWER SUPPLY OFF DURING INSTALLATION. IF NEW WIRING IS REQUIRED, CONSULT A QUALIFIED ELECTRICIAN OR LOCAL AUTHORITIES FOR CODE REQUIREMENTS.

2

1. Remove the 4 ball knob studs **(2)** from plate **(A)** located at the base of center assembly **(1)**.
2. Attach the 2 diffusers **(3)** to plate **(A)** with ball knob studs **(2)** removed earlier.
3. Thread lower stem **(4)** into coupler **(B)** located in the center of the socket assembly **(C)**.
4. Tighten hex nut **(5)** up against coupler **(B)** to secure lower stem **(4)**.
5. Refer to hanging instruction sheet **(I.S.19)** provided to hang fixture. Then refer back to this sheet to continue installation of this fixture.

3

1. Fixture can now be lamped accordingly.
2. Slip glass **(6)** onto center stem **(4)** and hold in position.
3. Thread hex nut **(7)** onto end of center stem **(4)** and tighten to secure glass **(6)**.
4. Thread decorative cap **(8)** onto end of center stem **(4)** and tighten.

Note: Maximum wattage for 4434 fixture is 100 watts per bulb.

3.19.09