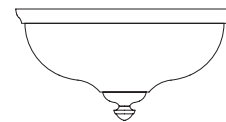
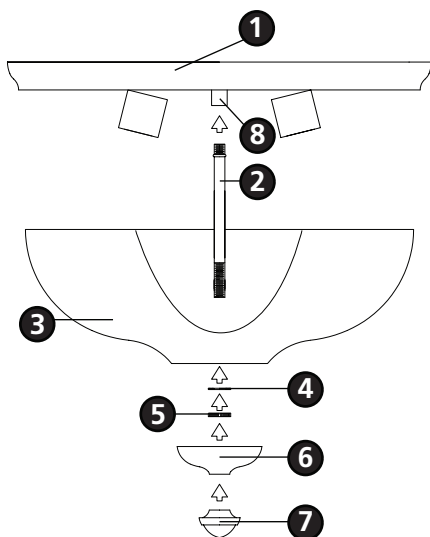


Family: Thistledown | Item No. 4171 VZ



Drawing 1 - Fixture Assembly



▼ start here

1

1. Find a clear area in which you can work.
2. Unpack fixture and glass from carton.
3. Carefully review instructions prior to assembly.

***** The construction of this fixture will be accomplished by first assembling the main body of the fixture, making all necessary electrical connections, mounting the fixture to the ceiling, and then installing the glass.**

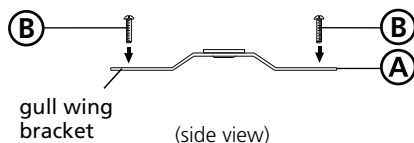
2

1. Take main body assembly (1) and thread center nipple (2) into coupler (8) - see **Drawing 1**.

3

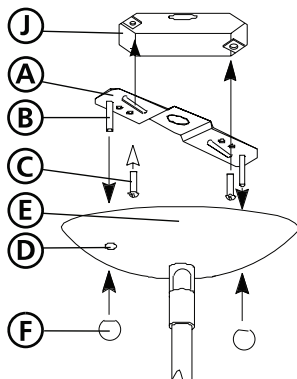
1. Prepare gem strap (A) for mounting by threading two screws (B) provided into back of gull wing bracket of gem strap (A) - see **Drawing 2**.
 - Be sure the holes into which the screws are threaded match the spacing of holes (D) in the canopy (E) - see **Drawings 2 and 3**.
2. Mount gem strap (A) to junction box (J), using the two 8-32" screws (C).

Drawing 2 - Strap Detail



SAFETY WARNING: READ WIRING AND GROUNDING INSTRUCTIONS (I.S. 18) AND ANY ADDITIONAL DIRECTIONS. TURN POWER SUPPLY OFF DURING INSTALLATION. IF NEW WIRING IS REQUIRED, CONSULT A QUALIFIED ELECTRICIAN OR LOCAL AUTHORITIES FOR CODE REQUIREMENTS.

Drawing 3 - Fixture Mounting



4

- Make electrical connections from supply wire to fixture lead wires. Refer to instruction sheet (I.S. 18) and follow all instructions to make all necessary wiring connections. Then refer back to this sheet to continue installation of this fixture.

5

1. Mount the fixture by slipping the holes (D) in the mounting plate, over the screws (B) in the mounting strap - see **Drawing 3**.
2. Thread on ball knobs (F) onto the end of the mounting screws (B) to secure fixture to the wall.

6

1. To install glass, slip glass (3) over nipple (2) and hold in place. - see **Drawing 1**.
2. Slip washer (4) onto nipple (2) and thread on knurl nut (5). Hand tighten only. Note: Using a tool to tighten knurl nut could cause damage to the glass.
3. Slip cap (6) onto nipple (2) and thread finial (7) onto end of nipple (3).
4. Fixture can now be lamped accordingly.

Note: Maximum wattage for 4171 fixture is 60 watts per bulb.

2.7.08