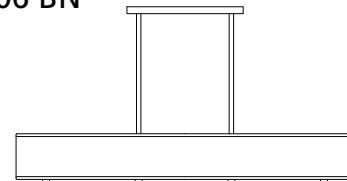
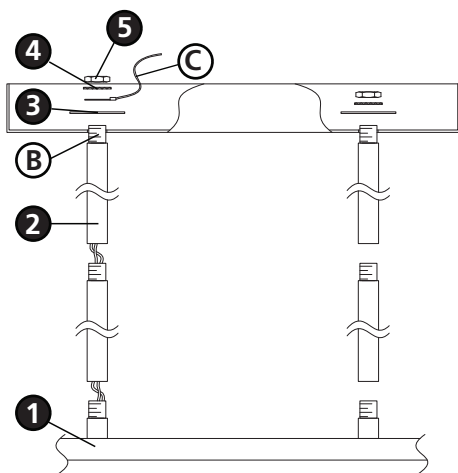


Family: Cirrus | Item No. 3806 BN



Drawing 1 - Assembly



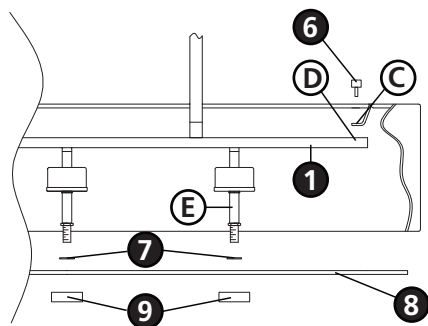
1

1. Find a clear area in which you can work.
2. Unpack fixture and glass from carton.
3. Carefully review instructions prior to assembly.

***** The construction of this fixture will be accomplished by first assembling the main body of the fixture, making all necessary electrical connections, hanging the fixture from the ceiling and then installing the fixture shade.**

SAFETY WARNING: READ WIRING AND GROUNDING INSTRUCTIONS (I.S. 18) AND ANY ADDITIONAL DIRECTIONS. TURN POWER SUPPLY OFF DURING INSTALLATION. IF NEW WIRING IS REQUIRED, CONSULT A QUALIFIED ELECTRICIAN OR LOCAL AUTHORITIES FOR CODE REQUIREMENTS.

Drawing 2 - Assembly



2

Note: It will be necessary to determine the length of rods you will require to hang your fixture at the desired height. After this has been established, please follow the instructions below.

1. Assemble the rods (2) starting at the top of the fixture crossbar (1) and tighten them in position - see **Drawing 1**.
2. Slip holes in canopy over threaded stems (B) extending from the tops of the rods (2).
3. Slip washer (3) and lock washer (4) over threaded stem (B). Note: make sure to slip loop of ground wire (C) over one of the threaded stems.
4. Thread hex nut (5) onto threaded stem (B) and tighten to complete assembly.
5. Please refer to the hanging instruction sheet (I.S. 19) provided to hang fixture. Then refer back to this sheet to install glass.

3

1. Remove barrel nut stud (6) from top of crossbar (1) - see **Drawing 2**.
2. Align shade brackets (C) with holes (D) in top of crossbar (1).
3. Thread barrel nut studs (6) through shaded bracket (C) and into hole (D) in bottom of crossbar (1) to secure shade.
4. Fixture can now be lamped accordingly.
5. Slip plastic washer (7) onto ends of uprights (E).
6. Slip end of uprights (E) through the holes in the lens (8) and hold in position.
7. Thread caps (9) onto end of uprights (E) and tighten to secure the lens.

Note: Maximum wattage for 3806 fixture is 75 watts per bulb.

6.17.09