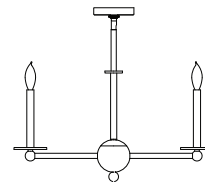
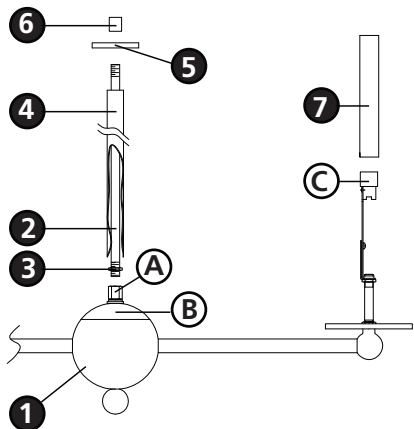


Family: Piedmont | Item No. 3745

▼ start here



Drawing 1 - Assembly



1

1. Find a clear area in which you can work.
2. Unpack fixture and glass from carton.
3. Carefully review instructions prior to assembly.

***** The construction of this fixture will be accomplished by first assembling the main body of the fixture, determining rod length, assembling the rods, attaching mounting assembly, and hanging the fixture from the ceiling.**

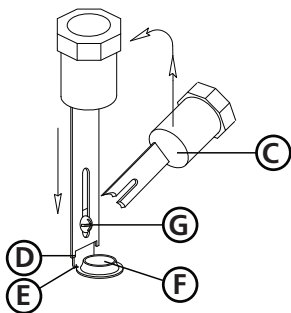
SAFETY WARNING: READ WIRING AND GROUNDING INSTRUCTIONS (I.S. 18) AND ANY ADDITIONAL DIRECTIONS. TURN POWER SUPPLY OFF DURING INSTALLATION. IF NEW WIRING IS REQUIRED, CONSULT A QUALIFIED ELECTRICIAN OR LOCAL AUTHORITIES FOR CODE REQUIREMENTS.

2

NOTE: All the parts for the center column assembly are laced on the supply wire. During assembly parts will be slipped along the wire. Caution should be used during this process.

1. to assemble the center column, take the steel center stem (2) and thread it into coupler (A) located on the main body assembly (1), approximately 1/2". Then tighten hex nut (3) against coupler to lock center stem in place - see **Drawing 1**.
2. Slip column (4) along wire and over center stem (2). Make sure bottom edge seats over locator plate (B) on top of main body assembly (1).
3. Slip plate (5) and place on top of column (4).
4. Slip coupler (6) along wire and thread onto top of center stem (2) and tighten to complete center column assembly.

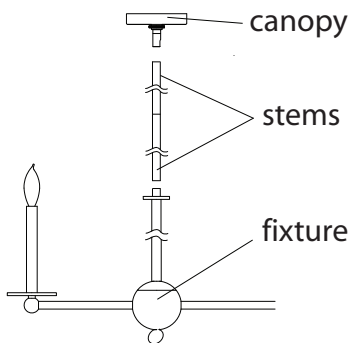
Drawing 2 - Fixture Assembly



3

1. To prepare the sockets to accept the candle sleeves, it will be necessary to lock them in position. To accomplish this, first tilt bulb socket and bracket (C) up in a vertical position- see **Drawing 2**.
2. Slip the socket and bracket (C) down until the two tabs (D) engage the notch (E) that is in the base socket bracket (F).
3. Tighten screw (G) to lock sockets in position. Repeat for remaining sockets.
4. Slip candle sleeves (7) over sockets (C) and repeat for remaining sockets - see **Drawing 1**.

Drawing 3 - Stem Assembly



4

1. Determine the total stem length required to hang your fixture at the proper height.
2. Determine what stem combination is required to achieve the overall length needed. (Additional stems are available and can be ordered. Ask your local Hinkley Lighting representative or visit www.hinkleylighting.com for information.) - see **Drawing 3**.
3. Install stems by slipping them onto the supply wire of the fixture, threaded end up, and threading them together.
4. Please refer to the hanging instruction sheet (I.S. 19-81) provided to hang fixture. Then refer back to this sheet to install glass.

Note: Maximum wattage for 3745 fixture is 60 watts per bulb.

10.15.10