

HIGHLAND

904160FBN-NIA

HIGHLAND 60" FAN

DETAILS	
FAN FINISH:	Brushed Nickel
BLADE COUNT:	5
SLOPE DEGREE:	20

DIMENSIONS	
WIDTH:	60"
HEIGHT:	13.5"
TOP TO OUTLET:	0"

LIGHT SOURCE	
VOLTAGE:	120v

MOUNTING	
CANOPY:	6" Dia.
LEAD WIRE:	1 x 76"



Highland was designed with versatility in mind. Its practical features and variety of finish and blade options make it transitional to meet every need. Highland is offered in two size options.

PRODUCT DETAILS:

- This item includes a 4.5" down rod. Other various lengths of down rods are available and sold separately to customize the installation height.
- Suitable for use in dry (indoor) locations as defined by NEC and CEC. Meets United States UL Underwriters Laboratories & CSA Canadian Standards Association Product Safety Standards
- This item may be hung on a sloped ceiling
- Pull chain manual reverse, accessory controls available
- The Regency Series features a range of traditional ceiling fans designed to enhance a wide variety of spaces with ease.
- Each customizable blade offers two finish options; simply reverse the blade to select your preferred finish.
- Motor carries a lifetime warranty
- Blades, controls, switches, capacitors and hardware carry a 1 year warranty

HINKLEY

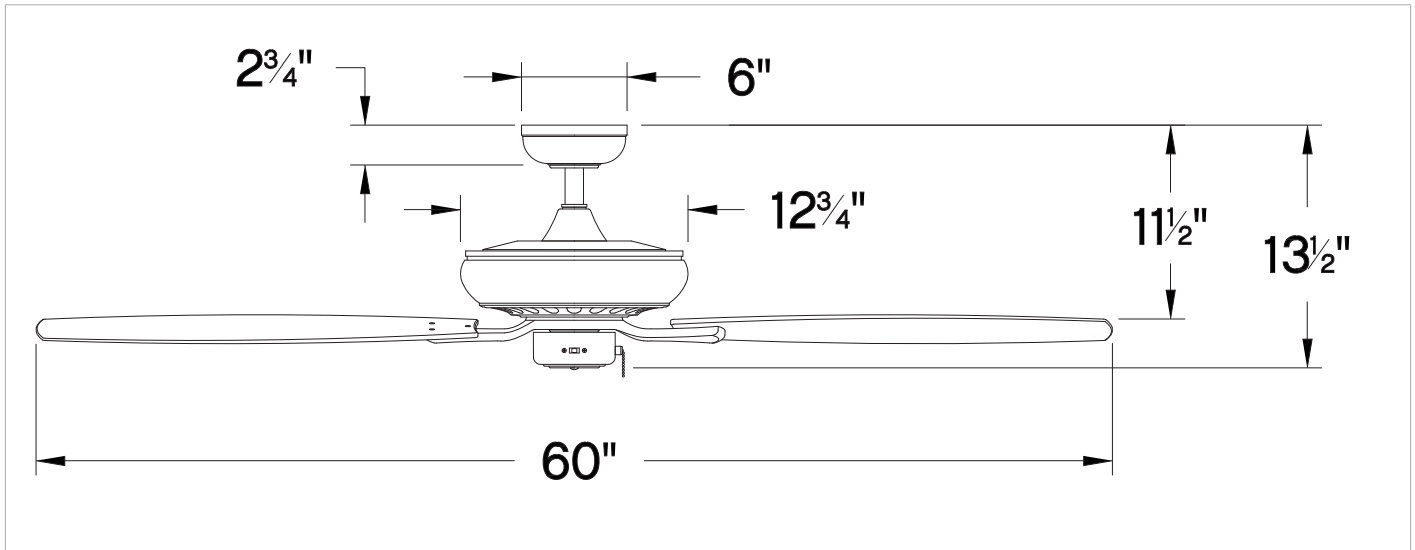
HINKLEY
33000 Pin Oak Parkway
Avon Lake, OH 44012

PHONE: (440) 653-5500
Toll Free: 1 (800) 446-5539

hinkley.com

HIGHLAND 60" FAN

904160FBN-NIA



PERFORMANCE SPECIFICATIONS	STANDARD	
	HIGH SPEED	AVERAGE SPEED
Airflow	5982	4077
EnergyUse	84.3	51
EnergyCost	24	14
Efficiency	71	80
AMPS	0.71	0.49
RPMS	114	78

AVERAGE PERFORMANCE AND ENERGY INFORMATION

ENERGYGUIDE

<p>Estimated Yearly Energy Cost</p> <h1 style="font-size: 2em;">\$14</h1> <p>Cost Range of Similar Models (19" – 84")</p> <p style="font-size: 1.2em;">\$3 ————— \$34</p> <p><small>• Based on 12 cents per kWh and 6.4 hours use per day • Your cost depends on rates and use • Energy Use: 51 Watts</small></p>	<p>Airflow</p> <h1 style="font-size: 2em;">4,077</h1> <p>Cubic Feet Per Minute</p> <p><small>• The higher the airflow, the more air the fan will move • Airflow Efficiency: 80 Cubic Feet Per Minute Per Watt</small></p>
---	---

All estimates based on typical use, excluding lights ftc.gov/energy

Airflow Shown Is a Weighted Average of High and Low Cubic Feet per Minute Based on Downrod