

# HIGHLAND

904152FMB-NIA

HIGHLAND 52" FAN

DETAILS	
FAN FINISH:	Matte Black
BLADE COUNT:	5
SLOPE DEGREE:	20

DIMENSIONS	
WIDTH:	52"
HEIGHT:	13.5"
TOP TO OUTLET:	0"

LIGHT SOURCE	
VOLTAGE:	120v

MOUNTING	
CANOPY:	6" Dia.
LEAD WIRE:	1 x 76"



Highland was designed with versatility in mind. Its practical features and variety of finish and blade options make it transitional to meet every need. Highland is offered in two size options.

## PRODUCT DETAILS:

- This item includes a 4.5" down rod. Other various lengths of down rods are available and sold separately to customize the installation height.
- Suitable for use in dry (indoor) locations as defined by NEC and CEC. Meets United States UL Underwriters Laboratories & CSA Canadian Standards Association Product Safety Standards
- This item may be hung on a sloped ceiling
- Pull chain manual reverse, accessory controls available
- The Regency Series features a range of traditional ceiling fans designed to enhance a wide variety of spaces with ease.
- Each customizable blade offers two finish options; simply reverse the blade to select your preferred finish.
- Motor carries a lifetime warranty
- Blades, controls, switches, capacitors and hardware carry a 1 year warranty

# HINKLEY

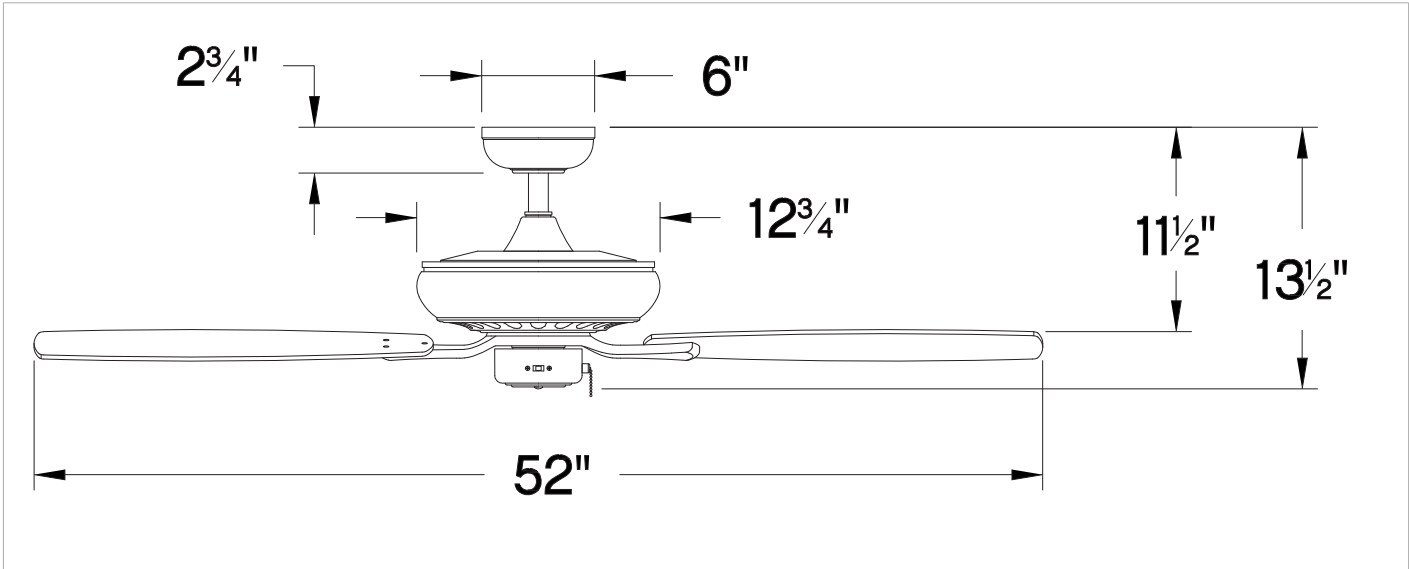
HINKLEY  
33000 Pin Oak Parkway  
Avon Lake, OH 44012

PHONE: (440) 653-5500  
Toll Free: 1 (800) 446-5539

[hinkley.com](http://hinkley.com)

# HIGHLAND 52" FAN

904152FMB-NIA



PERFORMANCE SPECIFICATIONS	STANDARD	
	HIGH SPEED	AVERAGE SPEED
Airflow	5136	3721
EnergyUse	68.7	44
EnergyCost	19	12
Efficiency	75	85
AMPS	0.58	0.43
RPMS	157	112

## AVERAGE PERFORMANCE AND ENERGY INFORMATION

### ENERGYGUIDE

<p>Estimated Yearly Energy Cost</p> <h2 style="font-size: 2em;">\$12</h2> <p>Cost Range of Similar Models (19" – 84")</p> <p style="font-size: 0.8em;">• Based on 12 cents per kWh and 6.4 hours use per day • Your cost depends on rates and use • Energy Use: 44 Watts</p>	<p>Airflow</p> <h2 style="font-size: 2em;">3,721</h2> <p>Cubic Feet Per Minute</p> <p style="font-size: 0.8em;">• The higher the airflow, the more air the fan will move • Airflow Efficiency: 85 Cubic Feet Per Minute Per Watt</p>
--	--

All estimates based on typical use, excluding lights ftc.gov/energy

Airflow Shown is a Weighted Average of High and Low Cubic Feet per Minute Based on Downrod

# HINKLEY

HINKLEY  
33000 Pin Oak Parkway  
Avon Lake, OH 44012

PHONE: (440) 653-5500  
Toll Free: 1 (800) 446-5539

hinkley.com