



## METRO WET

903352FBN-NWA

METRO WET 52" FAN

DETAILS	
FAN FINISH:	Brushed Nickel
BLADE COUNT:	5

DIMENSIONS	
WIDTH:	52"
HEIGHT:	13.8"
TOP TO OUTLET:	0"

LIGHT SOURCE	
VOLTAGE:	120v

MOUNTING	
CANOPY:	6" Dia.
LEAD WIRE:	1 x 76"

The Metro Wet ceiling fan evokes a sense of timeless tradition to indoor and outdoor settings. Composed of Composite blades, Metro is available in Brushed Nickel with Silver blades, Chalk White with Chalk White blades, Matte Black with Matte Black blades, and Metallic Matte Bronze with Walnut blades. Wet-rated, Metro Wet is versatile enough to be used for both indoor and outdoor spaces and is part of the Regency Collection.

### PRODUCT DETAILS:

- This item includes a 4.5" down rod. Various lengths are available to customize the installation height.
- Suitable for use in wet (interior direct splash and outdoor direct rain or sprinkler) locations as defined by NEC and CEC. Meets United States UL Underwriters Laboratories.
- This item may be hung on a sloped ceiling
- Pull chain manual reverse, accessory controls available
- The Regency Series features a range of traditional ceiling fans designed to enhance a wide variety of spaces with ease.
- Each customizable blade offers two finish options; simply reverse the blade to select your preferred finish.
- Add a functional light kit to customize the look of the fan
- Fan mounts directly to canopy or with an included downrod for dual mount capability

# HINKLEY

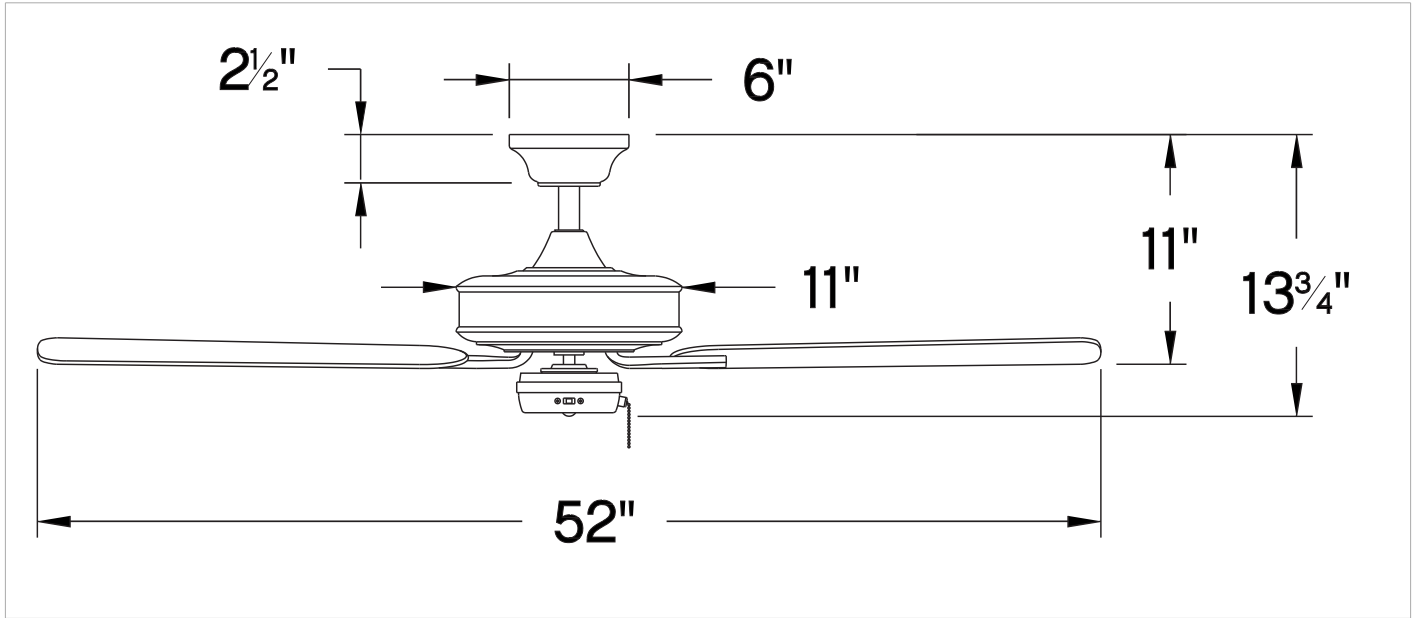
HINKLEY  
33000 Pin Oak Parkway  
Avon Lake, OH 44012

PHONE: (440) 653-5500  
Toll Free: 1 (800) 446-5539

[hinkley.com](http://hinkley.com)

# METRO WET 52" FAN

903352FBN-NWA



PERFORMANCE SPECIFICATIONS	STANDARD		DUAL MOUNT	
	HIGH SPEED	AVERAGE SPEED	HIGH SPEED	AVERAGE SPEED
Airflow	4672	3189	4167	4167
EnergyUse	57.7	35	57.6	35
EnergyCost	16	10	16	10
Efficiency	81	90	72.3	82
AMPS	0.49	0.35	0.49	0.35
RPMS	154	105	152	34

## AVERAGE PERFORMANCE AND ENERGY INFORMATION

### ENERGYGUIDE

Estimated  
Yearly Energy Cost

## \$10

\$3 | \$34

Cost Range of Similar Models (19" – 84")

• Based on 12 cents per kWh and 6.4 hours use per day  
 • Your cost depends on rates and use  
 • Energy Use: 35 Watts

Airflow

## 3,189

Cubic Feet Per Minute

• The higher the airflow, the more air the fan will move  
 • Airflow Efficiency: 91 Cubic Feet Per Minute Per Watt

All estimates based on typical use, excluding lights ftc.gov/energy

Airflow Shown is a Weighted Average of High and Low Cubic Feet per Minute Based on Downrod