



# INDY MAXX

900999FBN-LDD

INDY MAXX 99" LED FAN

DETAILS	
FAN FINISH:	Brushed Nickel
GLASS:	Etched Opal
BLADE COUNT:	6
SLOPE DEGREE:	20

DIMENSIONS	
WIDTH:	99"
HEIGHT:	15.5"

LIGHT SOURCE	
VOLTAGE:	120v

MOUNTING	
CANOPY:	6" Dia.
LEAD WIRE:	1 X 76"

The raw, edgy style of Indy is the perfect complement for all modern industrial design-inspired rooms. Available in Brushed Nickel, Matte Black, Metallic Matte Bronze and Matte White, Indy Maxx features sleek aluminum blades. Indy Maxx is so versatile; it can be used for both indoor and outdoor spaces.

## PRODUCT DETAILS:

- This item includes a 6" down rod. Other various lengths of down rods are available and sold separately to customize the installation height.
- Suitable for use in damp locations as defined by NEC and CEC. Meets United States UL Underwriters Laboratories & CSA Canadian Standards Association Product Safety Standards
- Meets California Energy Commission 2013 & 2016 Title regulations/JA8
- This item may be hung on a sloped ceiling
- This item includes a light kit cover
- Fan Control included, HIRO Control - 6 Speed Reversing
- WiFi compatibility with included fan control
- LED components carry a 5-year limited warranty

# HINKLEY

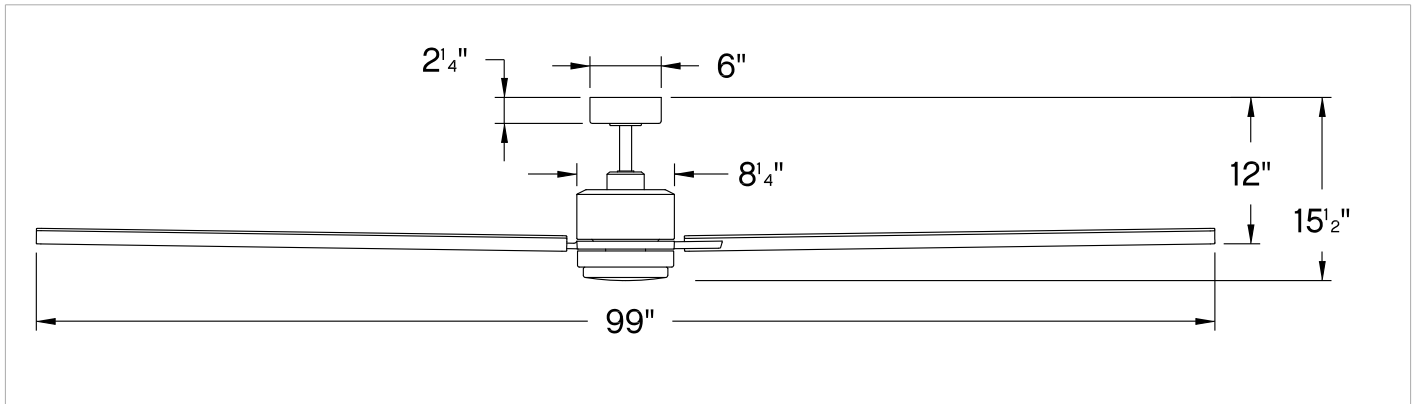
HINKLEY  
33000 Pin Oak Parkway  
Avon Lake, OH 44012

PHONE: (440) 653-5500  
Toll Free: 1 (800) 446-5539

[hinkley.com](http://hinkley.com)

# INDY MAXX 99" LED FAN

900999FBN-LDD



PERFORMANCE SPECIFICATIONS	STANDARD	
	HIGH SPEED	AVERAGE SPEED
Airflow	10775	7985
EnergyUse	41.5	30
EnergyCost	12	8
Efficiency	260	266
AMPS	0.54	0.32
RPMS	66	48

**AVERAGE PERFORMANCE AND ENERGY INFORMATION**

## ENERGYGUIDE

Estimated  
Yearly Energy Cost  
**\$8**

\$3
\$34

Cost Range of Similar Models (19" – 84")

- Based on 12 cents per kWh and 6.4 hours use per day
- **Your cost depends on rates and use**
- Energy Use: 30 Watts

Airflow  
**7,985**  
Cubic Feet Per Minute

- The higher the airflow, the more air the fan will move
- Airflow Efficiency: 266 Cubic Feet Per Minute Per Watt

All estimates based on typical use, excluding lights ftc.gov/energy

Airflow Shown is a Weighted Average of High and Low Cubic Feet per Minute Based on Downrod