



OASIS

901660FMB-NWA

OASIS 60" FAN

DETAILS	
FAN FINISH:	Matte Black
BLADE COUNT:	5

DIMENSIONS	
WIDTH:	60"
HEIGHT:	14.3"

LIGHT SOURCE	
VOLTAGE:	120v

MOUNTING	
CANOPY:	6.25" Dia.
LEAD WIRE:	1 X 76"

Part of the Regency Series, Oasis offers a simple yet classic all-you-need design. Available in Appliance White, Brushed Nickel, Chalk White, Graphite, Matte Black or Metallic Matte Bronze finish options, Oasis is so versatile; it can be used for both indoor and outdoor spaces. Blades are included with every fan.

PRODUCT DETAILS:

- This item includes a 4.5" down rod. Various lengths are available to customize the installation height.
- Suitable for use in wet (interior direct splash and outdoor direct rain or sprinkler) locations as defined by NEC and CEC. Meets United States UL Underwriters Laboratories.
- This item may be hung on a sloped ceiling
- Pull chain manual reverse, accessory controls available
- Additional blade options are available
- The Regency Series features a range of traditional ceiling fans designed to enhance a wide variety of spaces with ease.
- Fan housing and components are constructed of composite materials to offer maximum durability in harsh climates
- Add a functional light kit to customize the look of the fan

HINKLEY

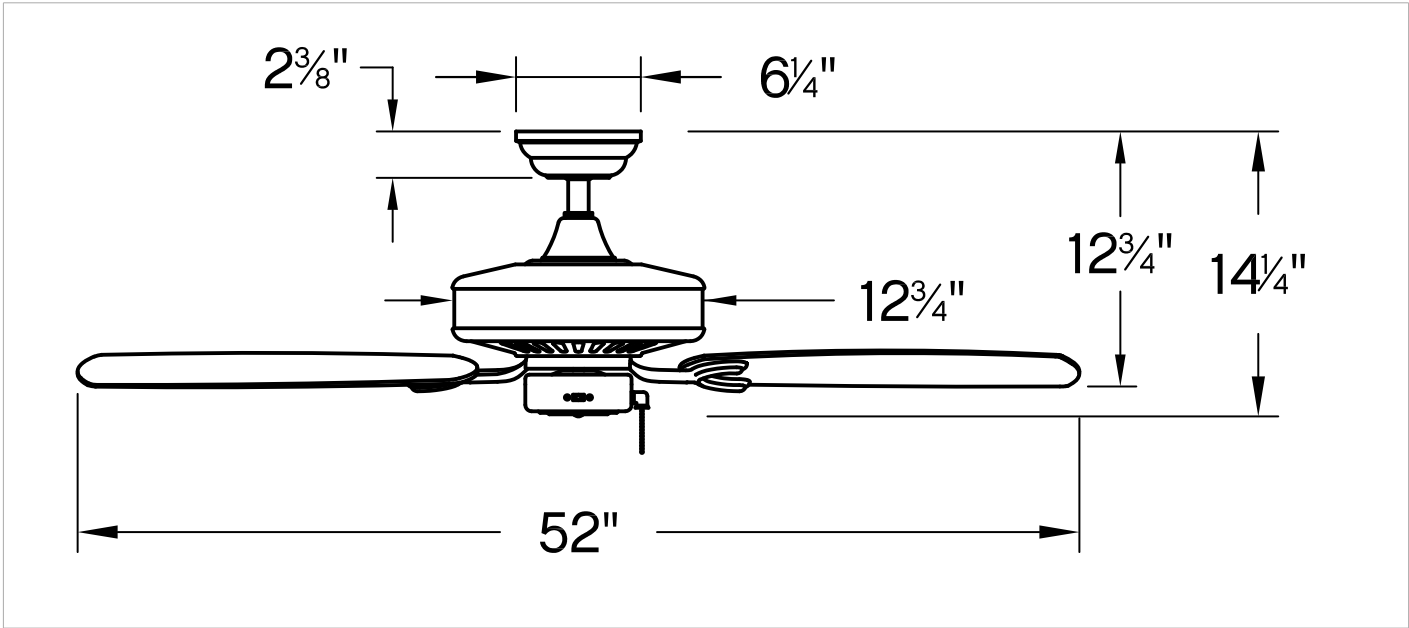
HINKLEY
33000 Pin Oak Parkway
Avon Lake, OH 44012

PHONE: (440) 653-5500
Toll Free: 1 (800) 446-5539

hinkley.com

OASIS 60" FAN

901660FMB-NWA



PERFORMANCE SPECIFICATIONS	STANDARD	
	HIGH SPEED	AVERAGE SPEED
Airflow	5876	4038
EnergyUse	79.4	48
EnergyCost	22	13
Efficiency	74	84
AMPS	0.66	0.46
RPMS	140	96

AVERAGE PERFORMANCE AND ENERGY INFORMATION

ENERGYGUIDE

Estimated
Yearly Energy Cost

\$13

\$3 | | | \$34

Cost Range of Similar Models (19" – 84")

- Based on 12 cents per kWh and 6.4 hours use per day
- Your cost depends on rates and use
- Energy Use: 48 Watts

All estimates based on typical use, excluding lights

Airflow

4,038

Cubic Feet Per Minute

- The higher the airflow, the more air the fan will move
- Airflow Efficiency: 84 Cubic Feet Per Minute Per Watt

ftc.gov/energy

Airflow Shown Is a Weighted Average of High and Low Cubic Feet per Minute Based on Downrod

HINKLEY

HINKLEY
33000 Pin Oak Parkway
Avon Lake, OH 44012

PHONE: (440) 653-5500
Toll Free: 1 (800) 446-5539

hinkley.com