



TIER

902054FBN-LWA

TIER 54" LED FAN

| DETAILS | |
|---------------|----------------|
| FAN FINISH: | Brushed Nickel |
| GLASS: | Etched Opal |
| BLADE COUNT: | 5 |
| SLOPE DEGREE: | 25 |

| DIMENSIONS | |
|------------|-------|
| WIDTH: | 54" |
| HEIGHT: | 14.8" |

| LIGHT SOURCE | |
|--------------|------|
| VOLTAGE: | 120v |

| MOUNTING | |
|------------|---------|
| CANOPY: | 6" Dia. |
| LEAD WIRE: | 1 X 76" |

TIER

PRODUCT DETAILS:

- This item includes a 4.5" down rod. Other various lengths of down rods are available and sold separately to customize the installation height.
- Suitable for use in wet (interior direct splash and outdoor direct rain or sprinkler) locations as defined by NEC and CEC. Meets United States UL Underwriters Laboratories.
- Meets California Energy Commission 2013 & 2016 Title regulations/JA8
- This item may be hung on a sloped ceiling
- Fan Control included, HIRO Control - 3 Speed Non-Reversing
- LED components carry a 5-year limited warranty
- Motor carries a lifetime warranty
- Blades, controls, switches, capacitors and hardware carry a 1 year warranty

HINKLEY

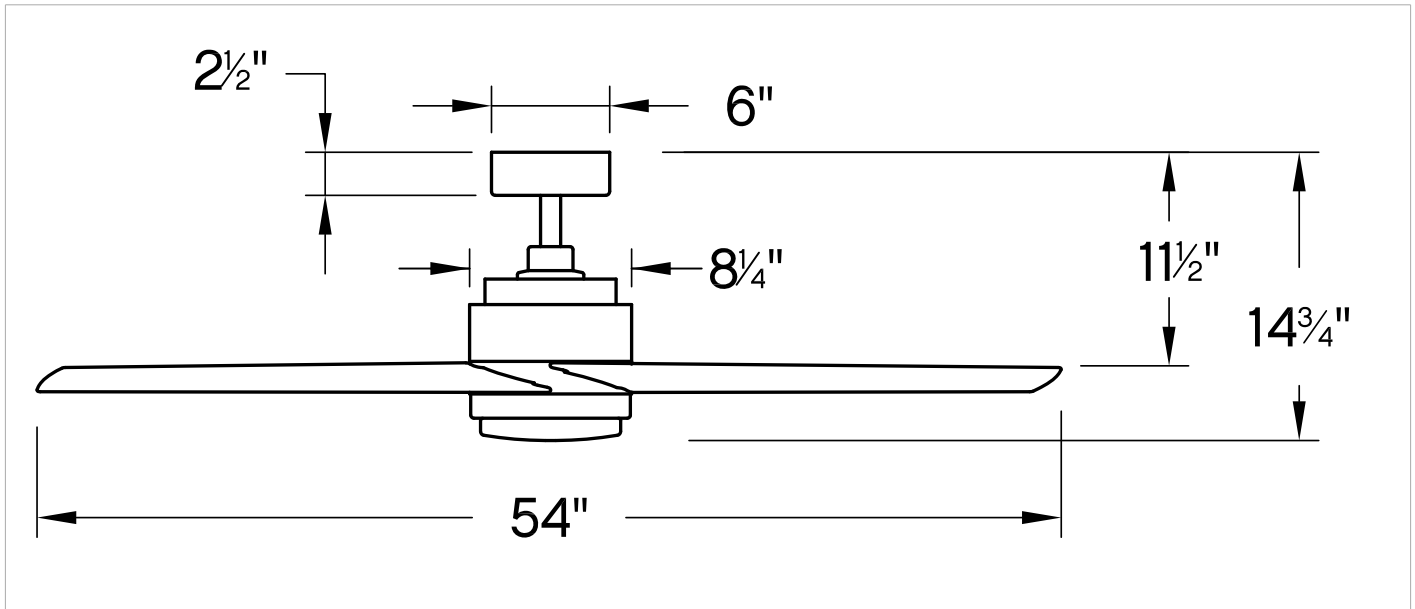
HINKLEY
33000 Pin Oak Parkway
Avon Lake, OH 44012

PHONE: (440) 653-5500
Toll Free: 1 (800) 446-5539

hinkley.com

TIER 54" LED FAN

902054FBN-LWA



| PERFORMANCE SPECIFICATIONS | STANDARD | |
|----------------------------|------------|---------------|
| | HIGH SPEED | AVERAGE SPEED |
| Airflow | 5664 | 3749 |
| EnergyUse | 62.8 | 40 |
| EnergyCost | 18 | 11 |
| Efficiency | 90 | 94 |
| AMPS | 0.52 | 0.39 |
| RPMS | 155 | 103 |

AVERAGE PERFORMANCE AND ENERGY INFORMATION

ENERGYGUIDE

Estimated
Yearly Energy Cost
\$11

Cost Range of Similar Models (19" – 84")
\$3 | | \$34

- Based on 12 cents per kWh and 6.4 hours use per day
- Your cost depends on rates and use
- Energy Use: 40 Watts

Airflow
3,749
Cubic Feet Per Minute

- The higher the airflow, the more air the fan will move
- Airflow Efficiency: 94 Cubic Feet Per Minute Per Watt

All estimates based on typical use, excluding lights ftc.gov/energy

Airflow Shown is a Weighted Average of High and Low Cubic Feet per Minute Based on Downrod

HINKLEY

HINKLEY
33000 Pin Oak Parkway
Avon Lake, OH 44012

PHONE: (440) 653-5500
Toll Free: 1 (800) 446-5539

hinkley.com