

PROPEL ILLUMINATED

901752FCW-LID

PROPEL ILLUMINATED 52" LED FAN

DETAILS	
FAN FINISH:	Chalk White
GLASS:	White Frosted

DIMENSIONS	
WIDTH:	52"
HEIGHT:	17.8"

LIGHT SOURCE	
VOLTAGE:	120v

MOUNTING	
CANOPY:	5.25" Dia.
LEAD WIRE:	76"



Part of the Regency Series, Propel Illuminated offers a clean, classic style combined with solid performance and excellent value. Offered in a versatile Chalk White, Appliance White, Metallic Matte Bronze or Satin Steel finish with reversible blades to beautifully enhance any interior space, Propel Illuminated ensures its durable construction is a win for any interior application. Propel Illuminated comes equipped with LED bulbs to deliver excellent energy efficiency. Blades are included with every fan.

PRODUCT DETAILS:

- This item includes a 4.5" down rod. Various lengths are available to customize the installation height.
- Suitable for use in dry (indoor) locations as defined by NEC and CEC. Meets United States UL Underwriters Laboratories
- This item may be hung on a sloped ceiling
- Pull chain manual reverse, accessory controls available
- Fan mounts directly to canopy or with an included downrod for dual mount capability
- The Regency Series features a range of traditional ceiling fans designed to enhance a wide variety of spaces with ease.
- LED Lamps carry a 3 year limited warranty
- Motor carries a lifetime warranty

HINKLEY

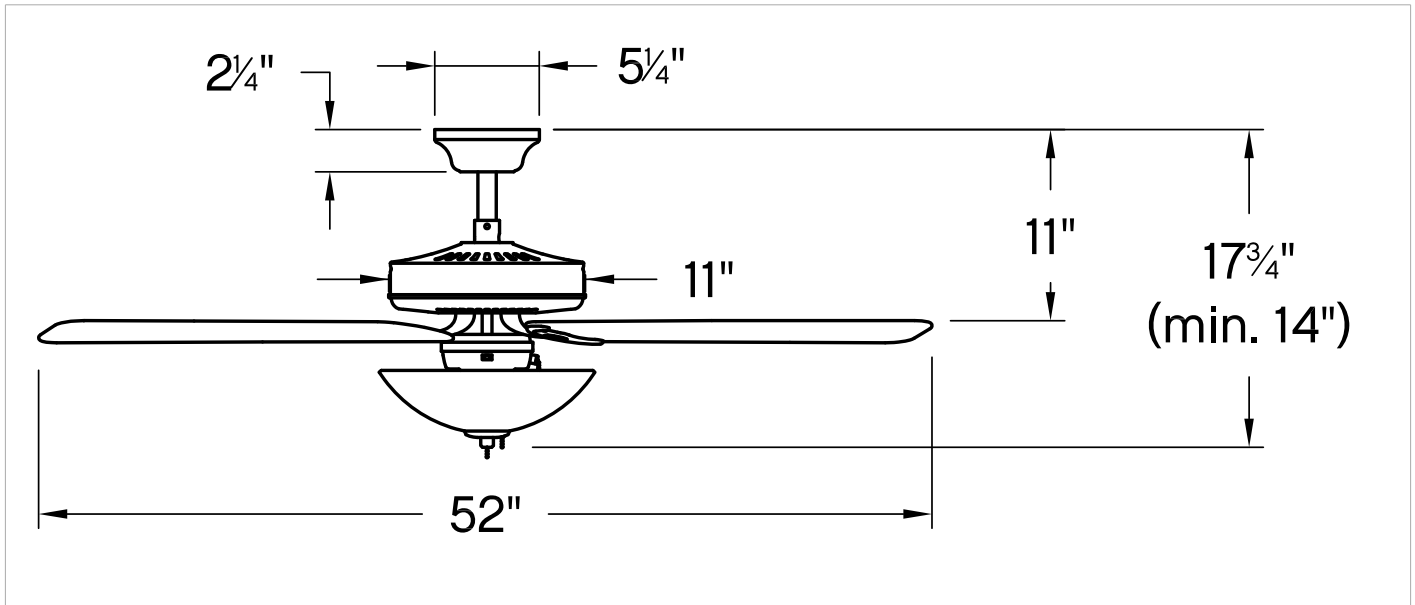
HINKLEY
33000 Pin Oak Parkway
Avon Lake, OH 44012

PHONE: (440) 653-5500
Toll Free: 1 (800) 446-5539

hinkley.com

PROPEL ILLUMINATED 52" LED FAN

901752FCW-LID



PERFORMANCE SPECIFICATIONS	STANDARD		DUAL MOUNT	
	HIGH SPEED	AVERAGE SPEED	HIGH SPEED	AVERAGE SPEED
Airflow	5192	3450	4852	4852
EnergyUse	30.1	19	30.2	19
EnergyCost	8	5.33	8	5.32
Efficiency	172	179	160	171.11
AMPS	0.4	0.24	0.4	0.24
RPMS	175	114	174	114.5

AVERAGE PERFORMANCE AND ENERGY INFORMATION

ENERGYGUIDE

Estimated
Yearly Energy Cost
\$5

\$3 | | | \$34

Cost Range of Similar Models (19" – 84")

- Based on 12 cents per kWh and 6.4 hours use per day
- Your cost depends on rates and use
- Energy Use: 19 Watts

All estimates based on typical use, excluding lights

Airflow
3,450

Cubic Feet Per Minute

- The higher the airflow, the more air the fan will move
- Airflow Efficiency: 179 Cubic Feet Per Minute Per Watt

ftc.gov/energy

Airflow Shown is a Weighted Average of High and Low Cubic Feet per Minute Based on Downrod

HINKLEY

HINKLEY
33000 Pin Oak Parkway
Avon Lake, OH 44012

PHONE: (440) 653-5500
Toll Free: 1 (800) 446-5539

hinkley.com