

# MARQUIS

901352FGT-NIA

MARQUIS 52" FAN

DETAILS	
FAN FINISH:	Graphite

DIMENSIONS	
WIDTH:	52"
HEIGHT:	13.3"

LIGHT SOURCE	
VOLTAGE:	120v

MOUNTING	
CANOPY:	6" Dia.
LEAD WIRE:	76"



A timeless standout from the Regency Series, Marquis defines the simple-meets-stylish silhouette. Its traditional design is available in a wide variety of finishes with reversible blades to complement your interior spaces. Blades are included with every fan.

## PRODUCT DETAILS:

- This item includes a 4.5" down rod. Various lengths are available to customize the installation height.
- Suitable for use in dry (indoor) locations as defined by NEC and CEC. Meets United States UL Underwriters Laboratories
- This item may be hung on a sloped ceiling
- Pull chain manual reverse, accessory controls available
- The Regency Series features a range of traditional ceiling fans designed to enhance a wide variety of spaces with ease.
- Add a functional light kit to customize the look of the fan
- Fan mounts directly to canopy or with an included downrod for dual mount capability
- Motor carries a lifetime warranty

# HINKLEY

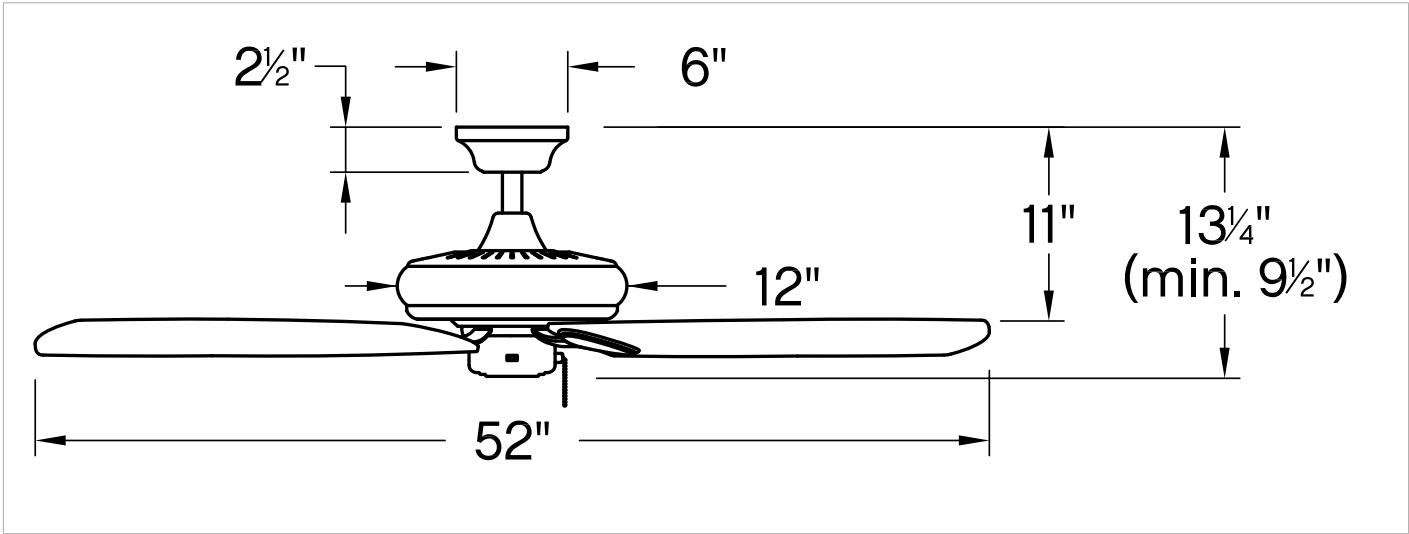
HINKLEY  
33000 Pin Oak Parkway  
Avon Lake, OH 44012

PHONE: (440) 653-5500  
Toll Free: 1 (800) 446-5539

[hinkley.com](http://hinkley.com)

# MARQUIS 52" FAN

901352FGT-NIA



PERFORMANCE SPECIFICATIONS	STANDARD		DUAL MOUNT	
	HIGH SPEED	AVERAGE SPEED	HIGH SPEED	AVERAGE SPEED
Airflow	5749	3742	5022	5022
EnergyUse	80.4	46	80.5	47
EnergyCost	23	13	23	13
Efficiency	72	81	62	70
AMPS	0.67	0.44	0.67	0.44
RPMS	170	112	169	112

**AVERAGE PERFORMANCE AND ENERGY INFORMATION**

## ENERGYGUIDE

Estimated Yearly Energy Cost

# \$13

Cost Range of Similar Models (19" – 84")

\$3 | | | \$34

- Based on 12 cents per kWh and 6.4 hours use per day
- Your cost depends on rates and use
- Energy Use: 46 Watts

Airflow

# 3,742

Cubic Feet Per Minute

- The higher the airflow, the more air the fan will move
- Airflow Efficiency: 81 Cubic Feet Per Minute Per Watt

All estimates based on typical use, excluding lights [ftc.gov/energy](http://ftc.gov/energy)

Airflow Shown is a Weighted Average of High and Low Cubic Feet per Minute Based on Downrod