



# MARQUIS

901352FAC-NIA

MARQUIS 52" FAN

| DETAILS     |                |
|-------------|----------------|
| FAN FINISH: | Antique Copper |

| DIMENSIONS |       |
|------------|-------|
| WIDTH:     | 52"   |
| HEIGHT:    | 13.3" |

| LIGHT SOURCE |      |
|--------------|------|
| VOLTAGE:     | 120v |

| MOUNTING   |         |
|------------|---------|
| CANOPY:    | 6" Dia. |
| LEAD WIRE: | 76"     |

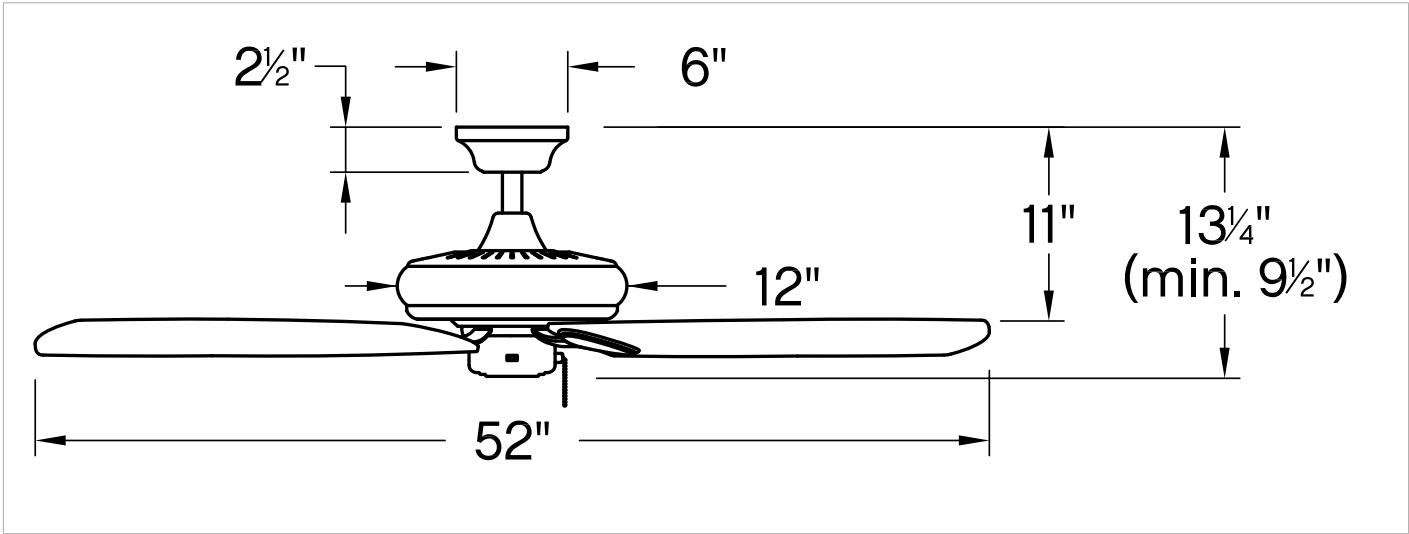
A timeless standout from the Regency Series, Marquis defines the simple-meets-stylish silhouette. Its traditional design is available in a wide variety of finishes with reversible blades to complement your interior spaces. Blades are included with every fan.

**PRODUCT DETAILS:**

- This item includes a 4.5" down rod. Various lengths are available to customize the installation height.
- Suitable for use in dry (indoor) locations as defined by NEC and CEC. Meets United States UL Underwriters Laboratories
- This item may be hung on a sloped ceiling
- Pull chain manual reverse, accessory controls available
- The Regency Series features a range of traditional ceiling fans designed to enhance a wide variety of spaces with ease.
- Fan mounts directly to canopy or with an included downrod for dual mount capability
- Add a functional light kit to customize the look of the fan
- Motor carries a lifetime warranty

# MARQUIS 52" FAN

901352FAC-NIA



| PERFORMANCE SPECIFICATIONS | STANDARD   |               | DUAL MOUNT |               |
|----------------------------|------------|---------------|------------|---------------|
|                            | HIGH SPEED | AVERAGE SPEED | HIGH SPEED | AVERAGE SPEED |
| Airflow                    | 5749       | 3742          | 5022       | 5022          |
| EnergyUse                  | 80.4       | 46            | 80.5       | 47            |
| EnergyCost                 | 23         | 13            | 23         | 13            |
| Efficiency                 | 72         | 81            | 62         | 70            |
| AMPS                       | 0.67       | 0.44          | 0.67       | 0.44          |
| RPMS                       | 170        | 112           | 169        | 112           |

**AVERAGE PERFORMANCE AND ENERGY INFORMATION**

## ENERGYGUIDE

Estimated Yearly Energy Cost

# \$13

Cost Range of Similar Models (19" – 84")

\$3 | | | \$34

- Based on 12 cents per kWh and 6.4 hours use per day
- Your cost depends on rates and use
- Energy Use: 46 Watts

Airflow

# 3,742

Cubic Feet Per Minute

- The higher the airflow, the more air the fan will move
- Airflow Efficiency: 81 Cubic Feet Per Minute Per Watt

All estimates based on typical use, excluding lights [ftc.gov/energy](http://ftc.gov/energy)

Airflow Shown is a Weighted Average of High and Low Cubic Feet per Minute Based on Downrod