



## GROVE

901256FMM-NID

GROVE 56" FAN

DETAILS	
FAN FINISH:	Metallic Matte Bronze

DIMENSIONS	
WIDTH:	56"
HEIGHT:	14.5"

LIGHT SOURCE	
VOLTAGE:	120v

MOUNTING	
CANOPY:	6" Dia.
LEAD WIRE:	76"

Illuminating with soft, diffused luminescence, Grove's built-in uplight feature visually expands any room with ambient light. Its transitional design complements a room's decor with its multiple finish options and reversible blades. Equipped with LED bulbs and DC motor technology, Grove delivers excellent energy efficiency. Blades are included with every fan.

### PRODUCT DETAILS:

- This item includes a 6" down rod. Various lengths are available to customize the installation height.
- Suitable for use in dry (indoor) locations as defined by NEC and CEC. Meets United States UL Underwriters Laboratories
- This item may be hung on a sloped ceiling
- Pull chain manual reverse, accessory controls available
- Add a functional light kit to customize the look of the fan
- Each customizable blade offers two finish options; simply reverse the blade to select your preferred finish.
- Built-in uplight adds accent illumination to the ceiling
- LED Lamps carry a 3 year limited warranty

# HINKLEY

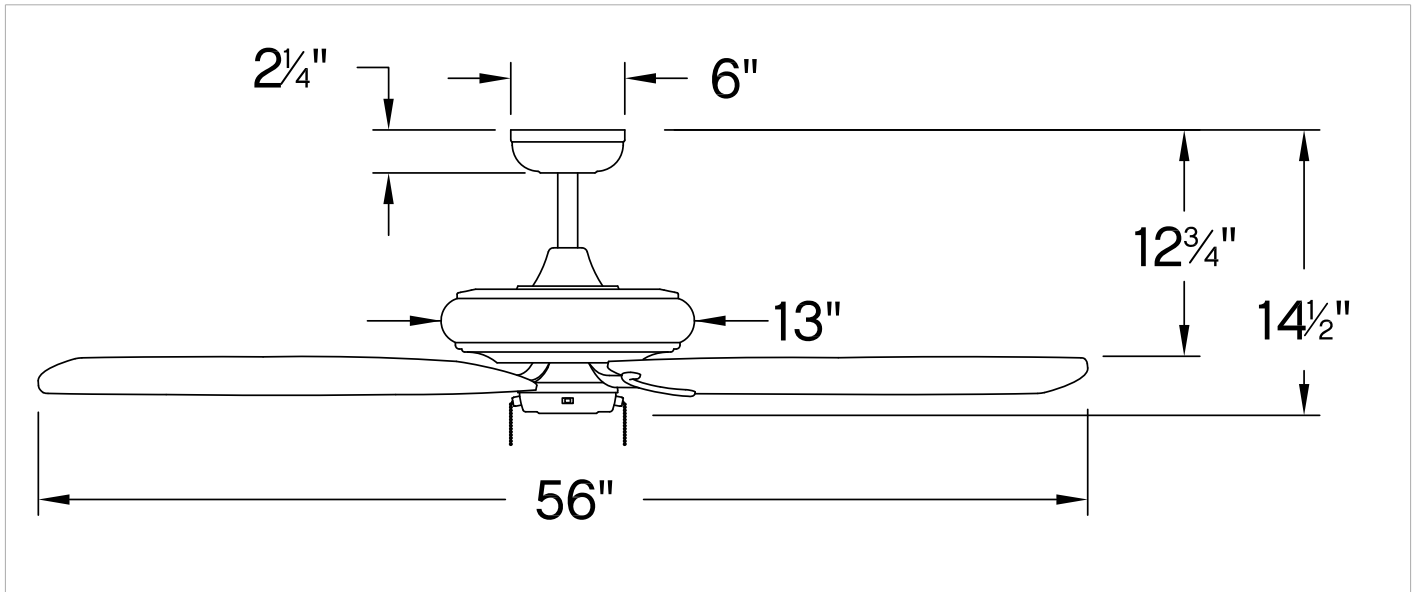
HINKLEY  
33000 Pin Oak Parkway  
Avon Lake, OH 44012

PHONE: (440) 653-5500  
Toll Free: 1 (800) 446-5539

[hinkley.com](http://hinkley.com)

# GROVE 56" FAN

901256FMM-NID



PERFORMANCE SPECIFICATIONS	STANDARD	
	HIGH SPEED	AVERAGE SPEED
Airflow	6296	4343
EnergyUse	32.6	21.8
EnergyCost	9	6
Efficiency	193	199
AMPS	0.43	0.26
RPMS	150	100

**AVERAGE PERFORMANCE AND ENERGY INFORMATION**

## ENERGYGUIDE

Estimated  
Yearly Energy Cost

# \$6

\$3
\$34

Cost Range of Similar Models (19" – 84")

- Based on 12 cents per kWh and 6.4 hours use per day
- Your cost depends on rates and use
- Energy Use: 22 Watts

Airflow

# 4,343

Cubic Feet Per Minute

- The higher the airflow, the more air the fan will move
- Airflow Efficiency: 199 Cubic Feet Per Minute Per Watt

All estimates based on typical use, excluding lights ftc.gov/energy

Airflow Shown is a Weighted Average of High and Low Cubic Feet per Minute Based on Downrod