



INDY

900972FBN-NWA

INDY 72" FAN

| DETAILS | |
|-------------|----------------|
| FAN FINISH: | Brushed Nickel |

| DIMENSIONS | |
|------------|-------|
| WIDTH: | 72" |
| HEIGHT: | 13.3" |

| LIGHT SOURCE | |
|--------------|------|
| VOLTAGE: | 120v |

| MOUNTING | |
|------------|---------|
| CANOPY: | 6" Dia. |
| LEAD WIRE: | 76" |

The raw, edgy style of Indy is the perfect complement for all modern industrial design-inspired rooms. Available in Brushed Nickel, Matte White or Metallic Matte Bronze finish options, Indy features sleek composite blades. Indy is so versatile; it can be used for both indoor and outdoor spaces. Blades are included with every fan.

PRODUCT DETAILS:

- This item includes a 6" down rod. Various lengths are available to customize the installation height.
- Suitable for use in wet (interior direct splash and outdoor direct rain or sprinkler) locations as defined by NEC and CEC. Meets United States UL Underwriters Laboratories.
- This item may be hung on a sloped ceiling
- Fan Control included, Wall Control - 4 Speed Non-Reversing
- Motor carries a lifetime warranty
- Blades, controls, switches, capacitors, and hardware carry a 1 year warranty
- Bold lines and a clean, minimalist style creates a modern look
- Single power source required

HINKLEY

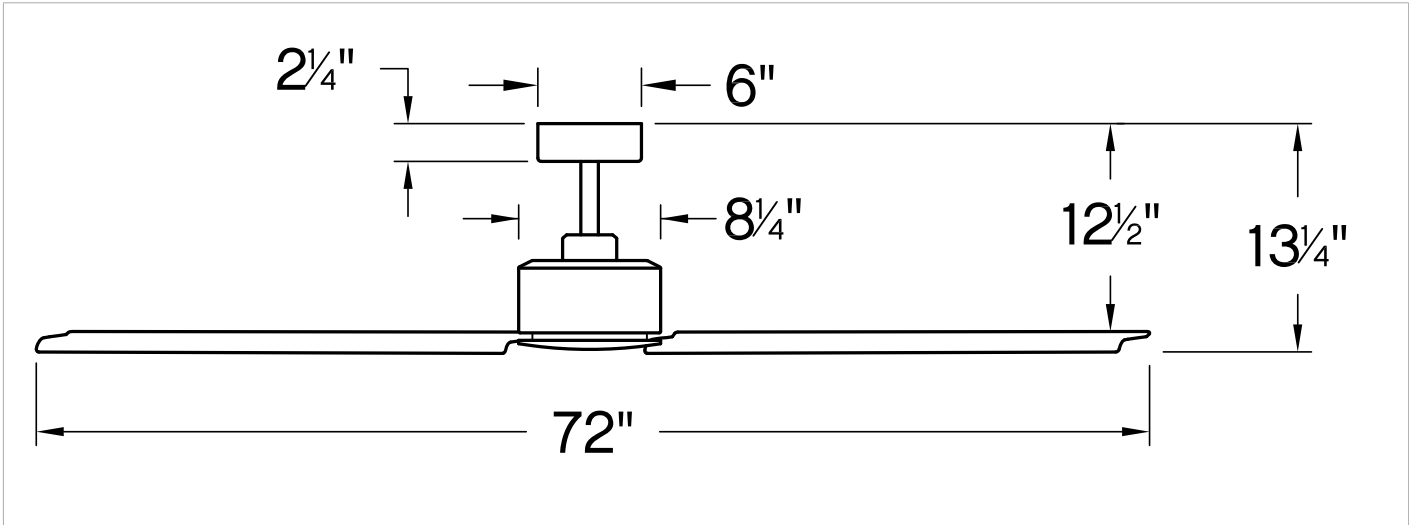
HINKLEY
33000 Pin Oak Parkway
Avon Lake, OH 44012

PHONE: (440) 653-5500
Toll Free: 1 (800) 446-5539

hinkley.com

INDY 72" FAN

900972FBN-NWA



| PERFORMANCE SPECIFICATIONS | STANDARD | |
|----------------------------|------------|---------------|
| | HIGH SPEED | AVERAGE SPEED |
| Airflow | 6425 | 4465 |
| EnergyUse | 62.6 | 39 |
| EnergyCost | 18 | 11 |
| Efficiency | 103 | 115 |
| AMPS | 0.52 | 0.37 |
| RPMS | 83 | 72 |

AVERAGE PERFORMANCE AND ENERGY INFORMATION

ENERGYGUIDE

Estimated Yearly Energy Cost

\$11

Cost Range of Similar Models (19" – 84")

\$3 | | | \$34

- Based on 12 cents per kWh and 6.4 hours use per day
- Your cost depends on rates and use
- Energy Use: 39 Watts

Airflow

4,465

Cubic Feet Per Minute

- The higher the airflow, the more air the fan will move
- Airflow Efficiency: 115 Cubic Feet Per Minute Per Watt

All estimates based on typical use, excluding lights ftc.gov/energy

Airflow Shown Is a Weighted Average of High and Low Cubic Feet per Minute Based on Downrod

HINKLEY

HINKLEY
33000 Pin Oak Parkway
Avon Lake, OH 44012

PHONE: (440) 653-5500
Toll Free: 1 (800) 446-5539

hinkley.com