

XANDER

5973PN

THREE LIGHT VANITY

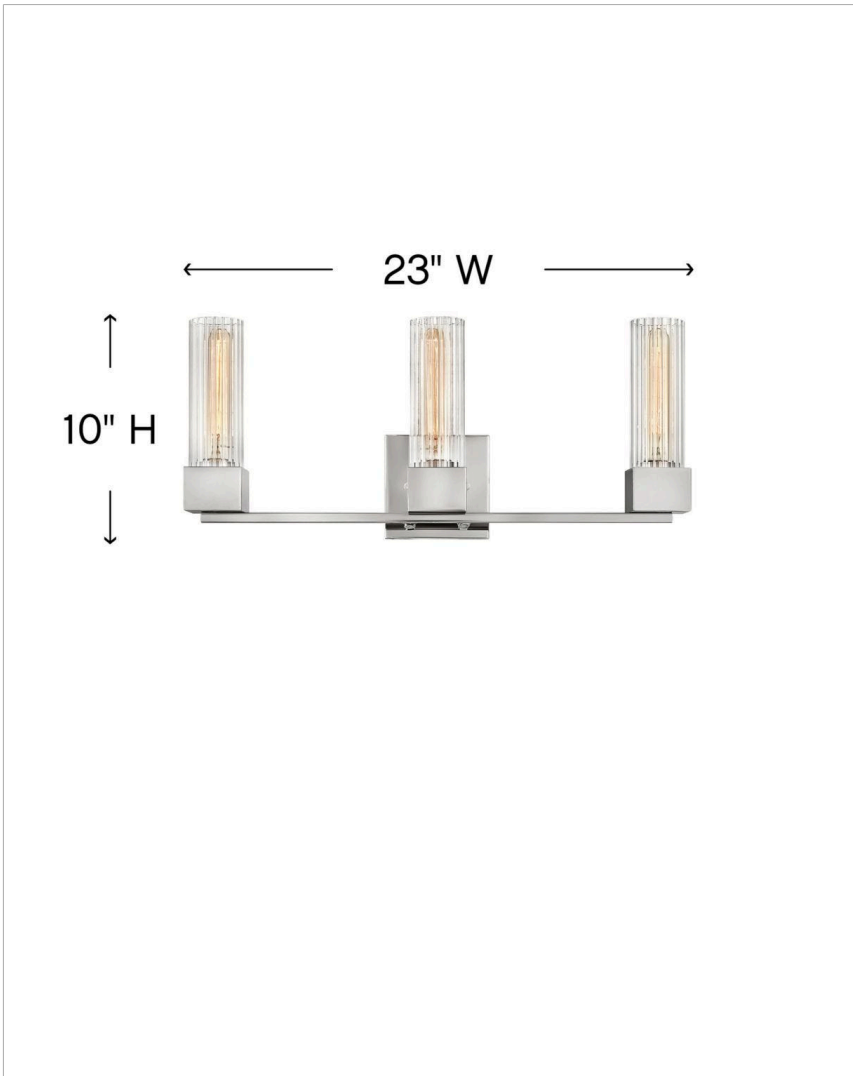
A cubed base design that is definitely not square! The crisp, contemporary lines of Xander pair perfectly with elegant ribbed clear glass to create a throwback style statement that is most definitely updated and upscale. Pick Polished Nickel or Heritage Brass finish to set the bar high when it comes to a modern vintage masterpiece.

DETAILS	
FINISH:	Polished Nickel
MATERIAL:	Steel
GLASS:	Ribbed Clear

DIMENSIONS	
WIDTH:	23"
HEIGHT:	10"
WEIGHT:	4.5lb
BACK PLATE:	5" Sq.
EXTENSION:	5.5"
TOP TO OUTLET:	7.5"

LIGHT SOURCE	
LIGHT SOURCE:	LED Lamp
WATTAGE:	3-10w Med. LED, 60w Equiv.
VOLTAGE:	120v

SHIPPING	
CARTON LENGTH:	27
CARTON WIDTH:	13.5
CARTON HEIGHT:	6.5
CARTON WEIGHT:	6



PRODUCT DETAILS:

- This fixture must be installed with shades/glass facing up toward the ceiling.
- Suitable for use in damp locations as defined by NEC and CEC. Meets United States UL Underwriters Laboratories & CSA Canadian Standards Association Product Safety Standards
- T9 or T10 bulbs required (not included)
- Distinctive mid-century modern elements merge with sleek and timeless forms for a vintage vibe with modern flair
- Gleaming luxe polished nickel finish