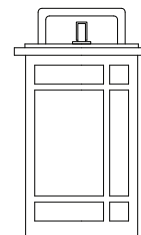
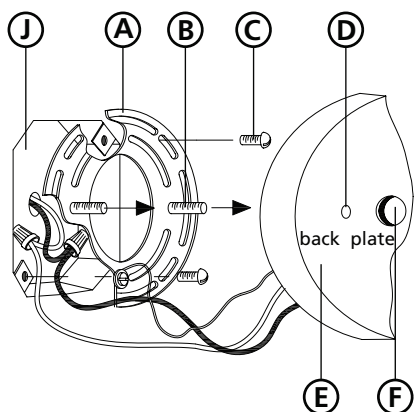


Family: Parkside | Item No. 2005



**Drawing 1 - Fixture Mounting**



**▼ start here**

**1**

1. Find a clear area in which you can work.
2. Unpack fixture and glass from carton.
3. Carefully review instructions prior to assembly.

**\*\*\* The construction of this fixture will be accomplished by first mounting the mounting strap to the junction box, making all necessary electrical connections, mounting the fixture to the wall, and then lamping the fixture.**

**2**

1. Prepare mounting strap (A) by threading the two 1 1/4" long mounting screws (B) into the back of the mounting strap (A) - see **Drawing 1**.
  - Be sure the holes into which the screws are threaded match the spacing of holes (D) in the backplate (E).
2. Attach mounting strap (A) to junction box (J) using two 1" screws (C).

**SAFETY WARNING: READ WIRING AND GROUNDING INSTRUCTIONS (I.S. 18) AND ANY ADDITIONAL DIRECTIONS. TURN POWER SUPPLY OFF DURING INSTALLATION. IF NEW WIRING IS REQUIRED, CONSULT A QUALIFIED ELECTRICIAN OR LOCAL AUTHORITIES FOR CODE REQUIREMENTS.**

**3**

Make electrical connections from supply wire to fixture lead wires. Refer to instruction sheet (I.S. 18) and follow all instructions to make all necessary wiring connections. Then refer back to this sheet to continue installation of this fixture.

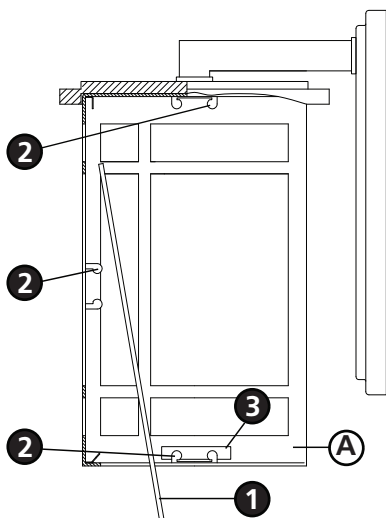
**4**

1. It is recommended that the glass be installed prior to mounting fixture to wall.
2. To install glass, slip glass panel (1) into cage (A) through the bottom of the fixture - see **Drawing 2**.
3. Slip glass into position flat against the inside of the cage.
4. Cut a small piece of sticky gasket material (3) and fix it to the glass above the glass clip (2) - see **Drawing 3**.
5. Bend glass clips (2) so they engage the glass panel and gasket material to hold the glass in place. Repeat for remaining panels. **NOTE:** When bending the glass clips that are located on the sides of the cage bend one clip toward one piece of glass and the other toward the adjacent glass.

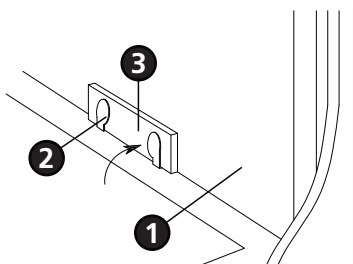
**5**

1. To mount fixture, slip the two mounting screws (B) through the two mounting holes (D) in the backplate (E) - see **Drawing 1**.
2. While holding fixture in place, thread the two ball knobs (F) on to the end of the mounting screws (B), and tighten.

**Drawing 2 - Glass Installation**



**Drawing 3 - Detail Drawing**



Note: Maximum wattage for 2005 fixture is 100 watts bulb.

10.22.10