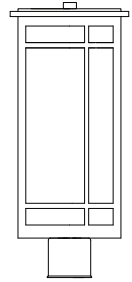
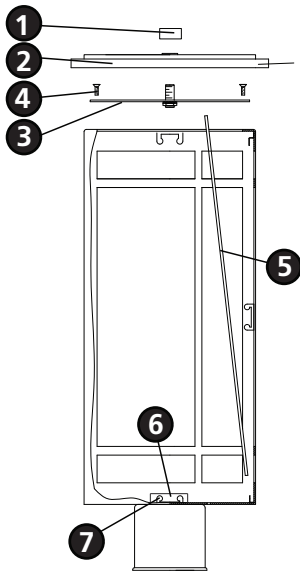


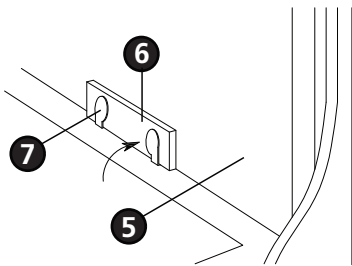
Family: Parkside | Item No. 2001



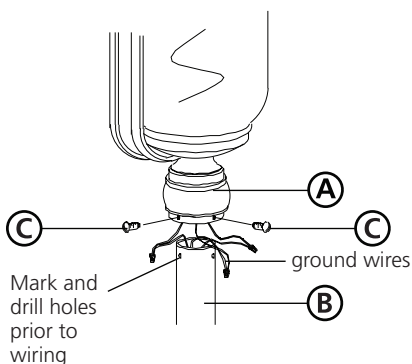
**Drawing 1 - Fixture Assembly**



**Drawing 2 - Detail Drawing**



**Drawing 3 - Fixture Mounting**



## ▼ start here

**1**

1. Find a clear area in which you can work.
2. Unpack fixture and glass from carton.
3. Carefully review instructions prior to assembly.

**\*\*\* The construction of this fixture will be accomplished by first installing the glass, lamping the fixture, making all necessary electrical connections, and then mounting the fixture to pre-installed post.**

**2**

1. It is recommended that the glass be installed prior to mounting fixture to pole.
2. To install glass, remove top knob (1) followed by roof (2) - see **Drawing 1**.
3. Remove the crossbar (3) from the top of the cage by removing the screws (4) in the opposing corners.
4. Slip glass (5) down into position flat against the inside of the cage (A).
5. Cut a small piece of sticky gasket material (6) and affix it to the glass above the glass clip (7) - see **Detail Drawing 2**.
6. Bend glass clips (7) so they engage the glass panel and gasket material to hold the glass in place. Repeat for remaining panels. **NOTE:** When bending the glass clips that are located on the sides of the cage bend one clip toward one piece of glass and the other toward the adjacent glass.
7. Lamp fixture and replace crossbar and roof, prior to mounting the fixture to the pole.

**SAFETY WARNING: READ WIRING AND GROUNDING INSTRUCTIONS (I.S. 18) AND ANY ADDITIONAL DIRECTIONS. TURN POWER SUPPLY OFF DURING INSTALLATION. IF NEW WIRING IS REQUIRED, CONSULT A QUALIFIED ELECTRICIAN OR LOCAL AUTHORITIES FOR CODE REQUIREMENTS.**

**3**

Make electrical connections from supply wire to fixture lead wires. Refer to instruction sheet (I.S. 18) and follow all instructions to make all necessary wiring connections. Then refer back to this sheet to continue installation of this fixture.

**4**

1. Slip post fitter (A) over top of pre-installed post (B) - see **Drawing 3**.
2. Using the holes in the side of the post fitter as guides, drill three 1/16" diameter holes in the pole.
3. Now screw in the three sheet metal screws (C) to secure fixture.

Note: Maximum wattage for 2001 fixture is 100 watts per bulb.

10.28.10