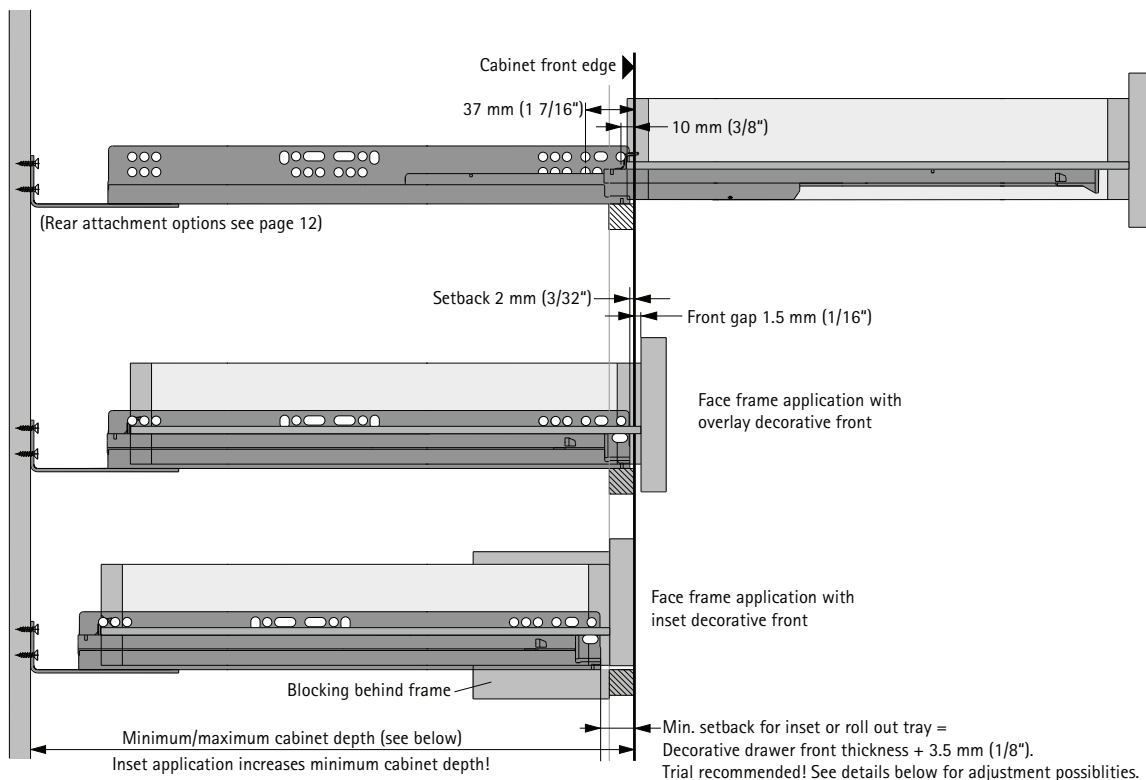


Drawer slides for wooden drawers

- ▶ **Quadro**
- ▶ **Technical information**

Mounting specifications – (Quadro V6 / Quadro 4D V6, face frame application)



Minimum / maximum cabinet depth (Quadro V6 / Quadro 4D V6, face frame application)

Drawer box length		Min-Max cabinet depth with metal rear attachment		Min-Max cabinet depth with plastic rear attachment (TennTex C-307)	
mm	(inch)	mm	(inch)	mm	(inch)
229 mm	(9") Quadro V6	250 - 300 mm	(9 7/8" - 11 3/4")	270 - 297 mm	(10 5/8" - 11 11/16")
305 mm	(12")	326 - 376 mm	(12 7/8" - 14 3/4")	346 - 373 mm	(13 5/8" - 14 11/16")
381 mm	(15")	402 - 452 mm	(15 7/8" - 17 3/4")	422 - 449 mm	(16 5/8" - 17 11/16")
457 mm	(18")	479 - 529 mm	(18 7/8" - 20 3/4")	498 - 525 mm	(19 5/8" - 20 11/16")
533 mm	(21")	555 - 605 mm	(21 7/8" - 23 3/4")	574 - 601 mm	(22 5/8" - 23 11/16")
610 mm	(24")	631 mm (24 7/8") no rear attachment, must be blocked out			

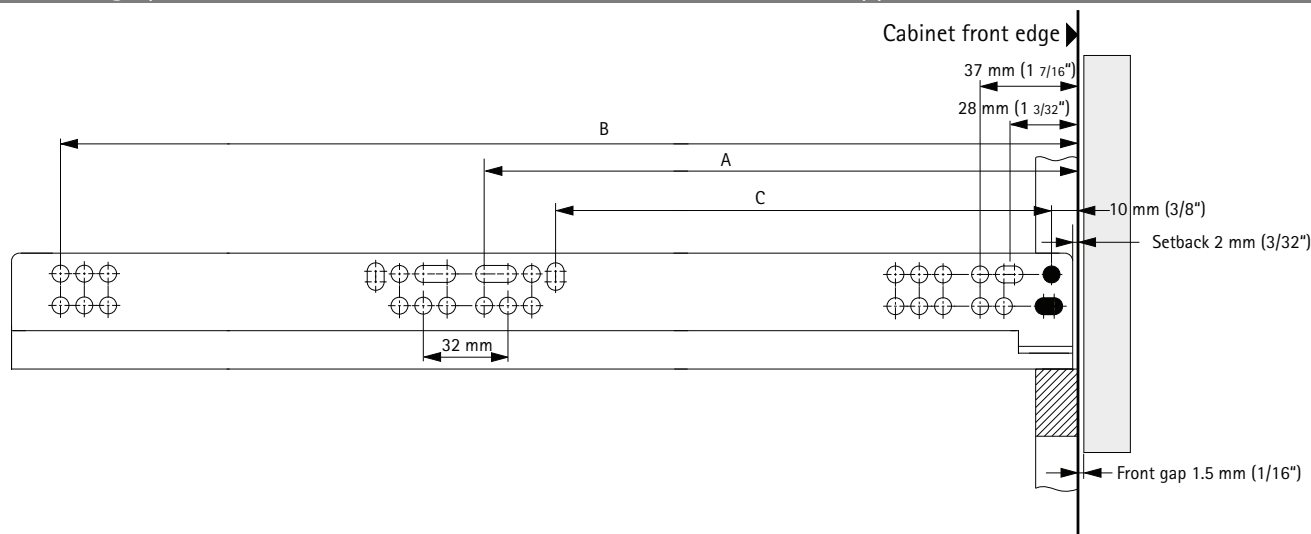
Advice

- ▶ Dimensions in millimeters (inch approximations as noted). Subject to technical modifications without notice.

Drawer slides for wooden drawers

- ▶ **Quadro**
- ▶ **Technical information**

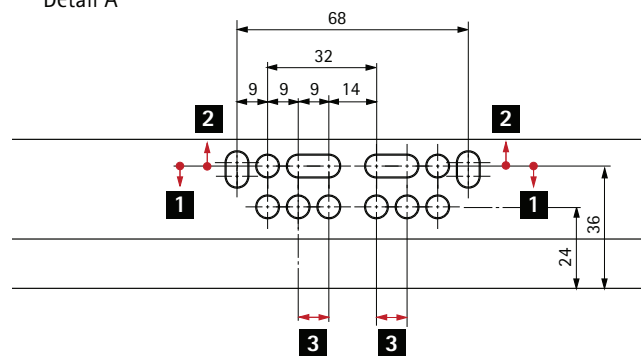
Mounting specifications – (Quadro V6 / Quadro 4D V6, face frame application)



Item	A		B		C		Minimum cabinet depth (blocking or frameless cabinet)	
	mm	(inch)	mm	(inch)	mm	(inch)	mm	(inch)
Quadro V6 9"	133	(5 1/4)	229	(9)	96	(3 25/32)	250	(9 7/8)
Quadro V6 12"	165	(6 1/2)	261	(10 1/4)	128	(5 1/32)	326	(12 7/8)
Quadro V6 15"	165	(6 1/2)	357	(14 1/16)	128	(5 1/32)	402	(15 7/8)
Quadro V6 18"	261	(10 1/4)	453	(17 13/16)	224	(8 13/16)	479	(18 7/8)
Quadro V6 21"	261	(10 1/4)	517	(20 3/8)	224	(8 13/16)	555	(21 7/8)
Quadro V6 24"	261	(10 1/4)	453	(17 13/16)	224	(8 13/16)	631	(24 7/8)

Adjustment possibilities – cabinet profile details

Detail A*

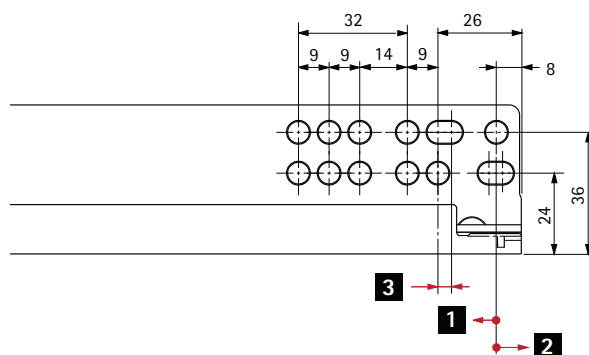


Drawer adjustments:

- 1** 1 mm (1/32") (down)
- 2** 3 mm (1/8") (up)
- 3** 9 mm (3/8") (range in/out)

Trial recommended!
Adjustment influences minimum cabinet depth.

Detail B*



Drawer adjustments:

- 1** 1.5 mm (1/16") (in)
- 2** 2.5 mm (3/32") (out)
- 3** 4 mm (5/32") (range in/out)

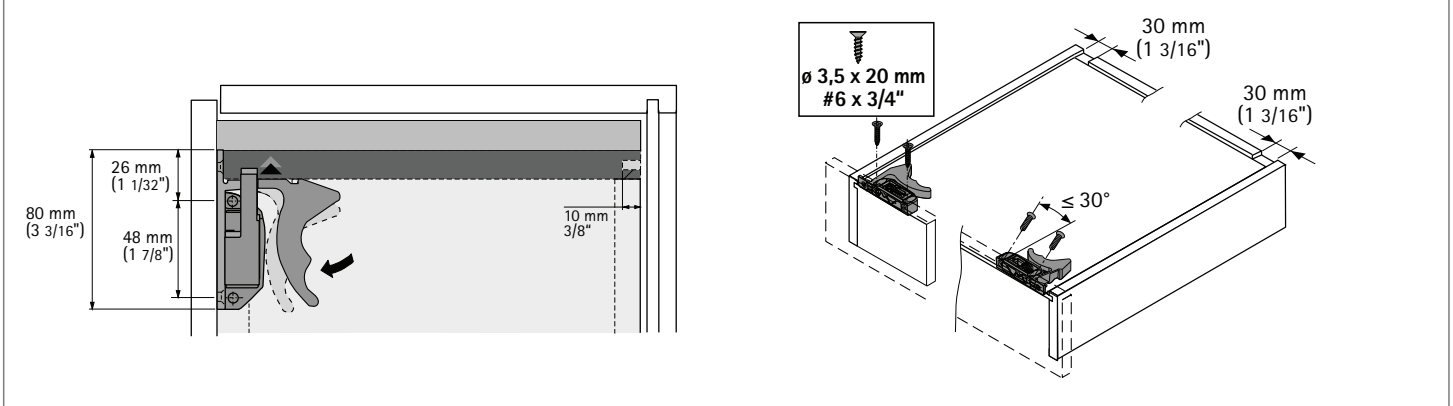
Advice

- ▶ Dimensions in millimeters (inch approximations as noted). Subject to technical modifications without notice.

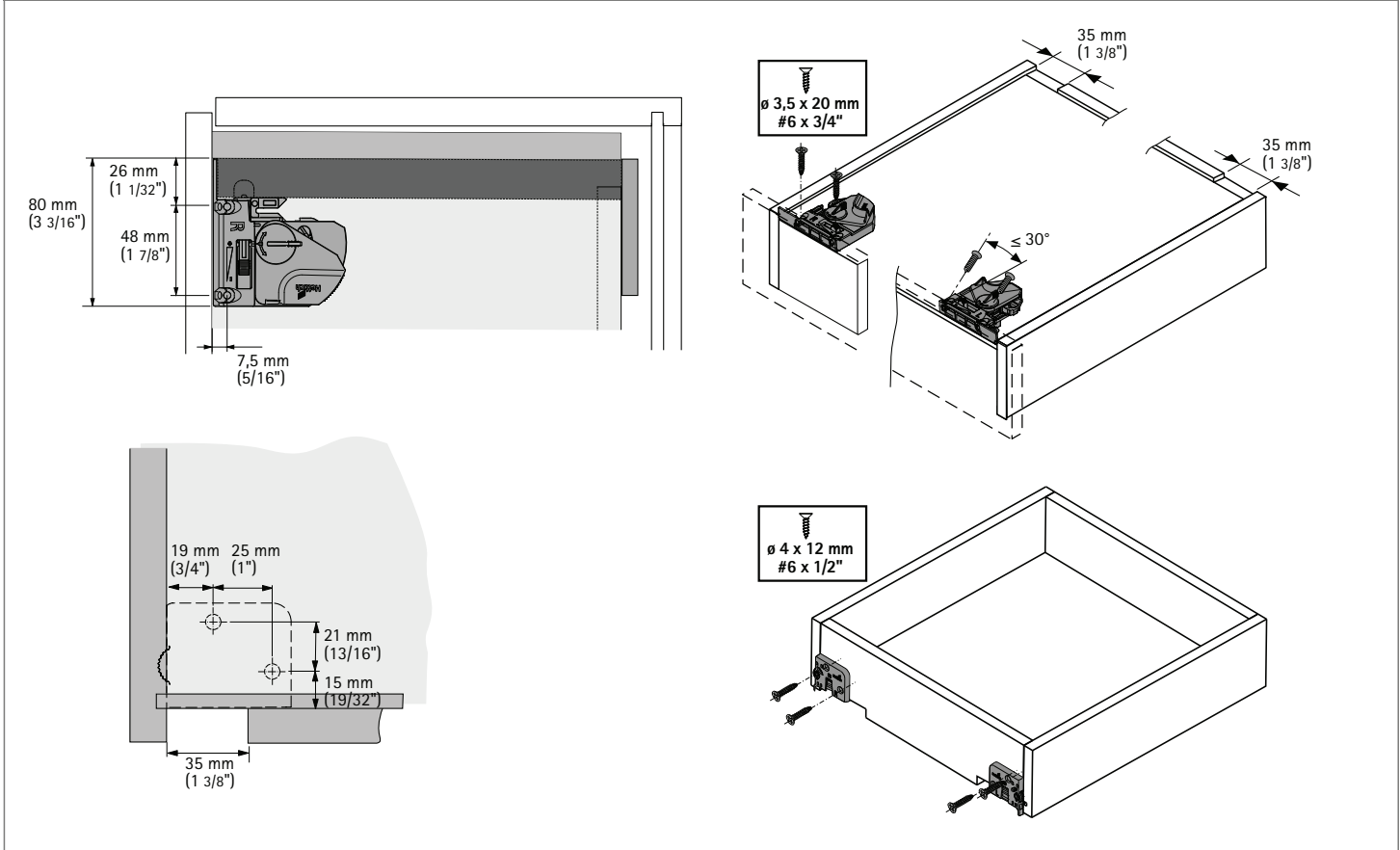
Drawer slides for wooden drawers

- ▶ Quadro
- ▶ Technical information

Catch for wooden drawers (Quadro V6 full extension)



Catch and tilt adjuster for wooden drawers (Quadro 4D V6 full extension)



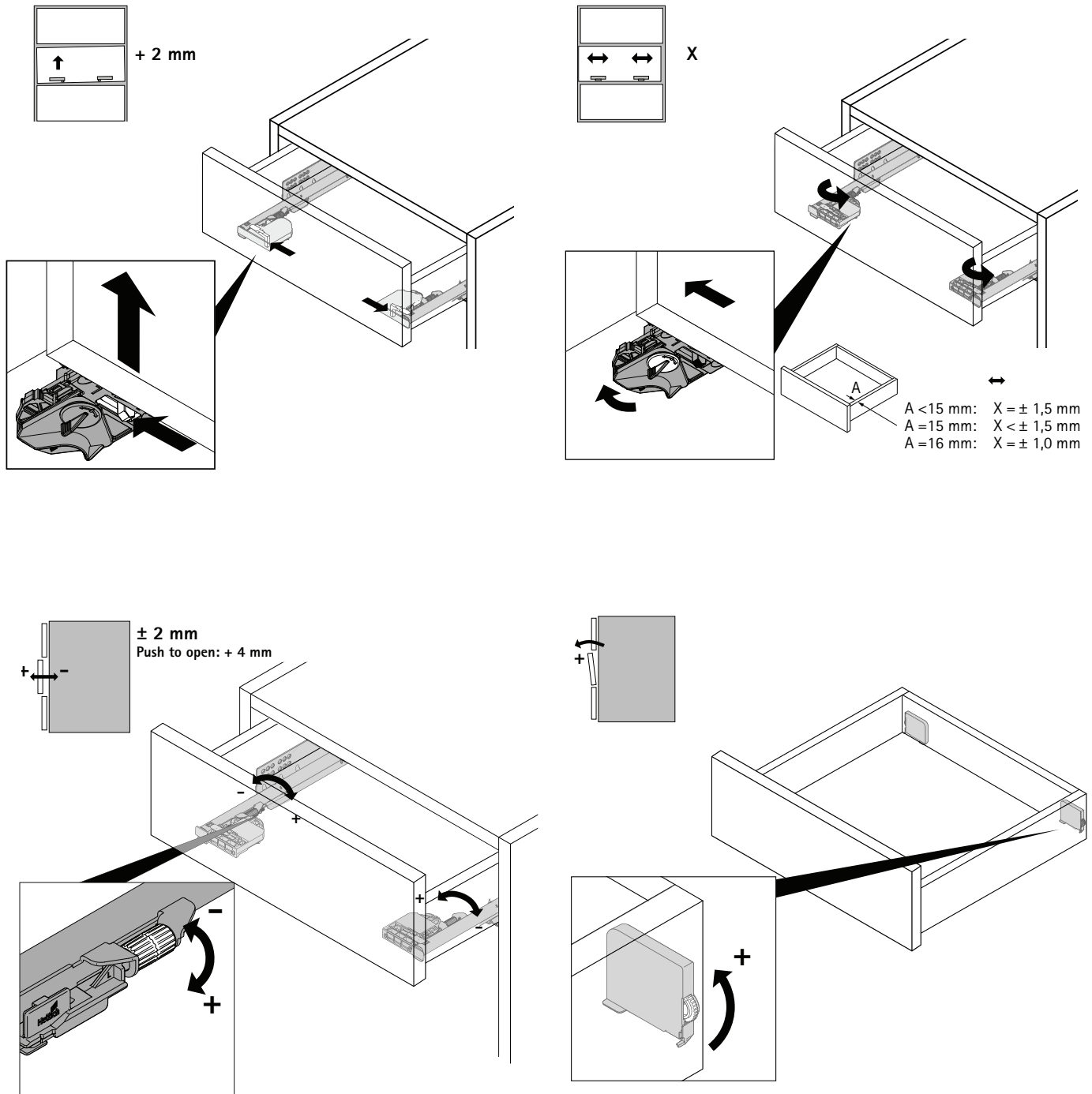
Advice

- ▶ Dimensions in millimeters (inch approximations as noted). Subject to technical modifications without notice.

Drawer slides for wooden drawers

- ▶ Quadro
- ▶ Technical information

Quadro 4D V6 full extension runner: adjustment of the drawer front panel



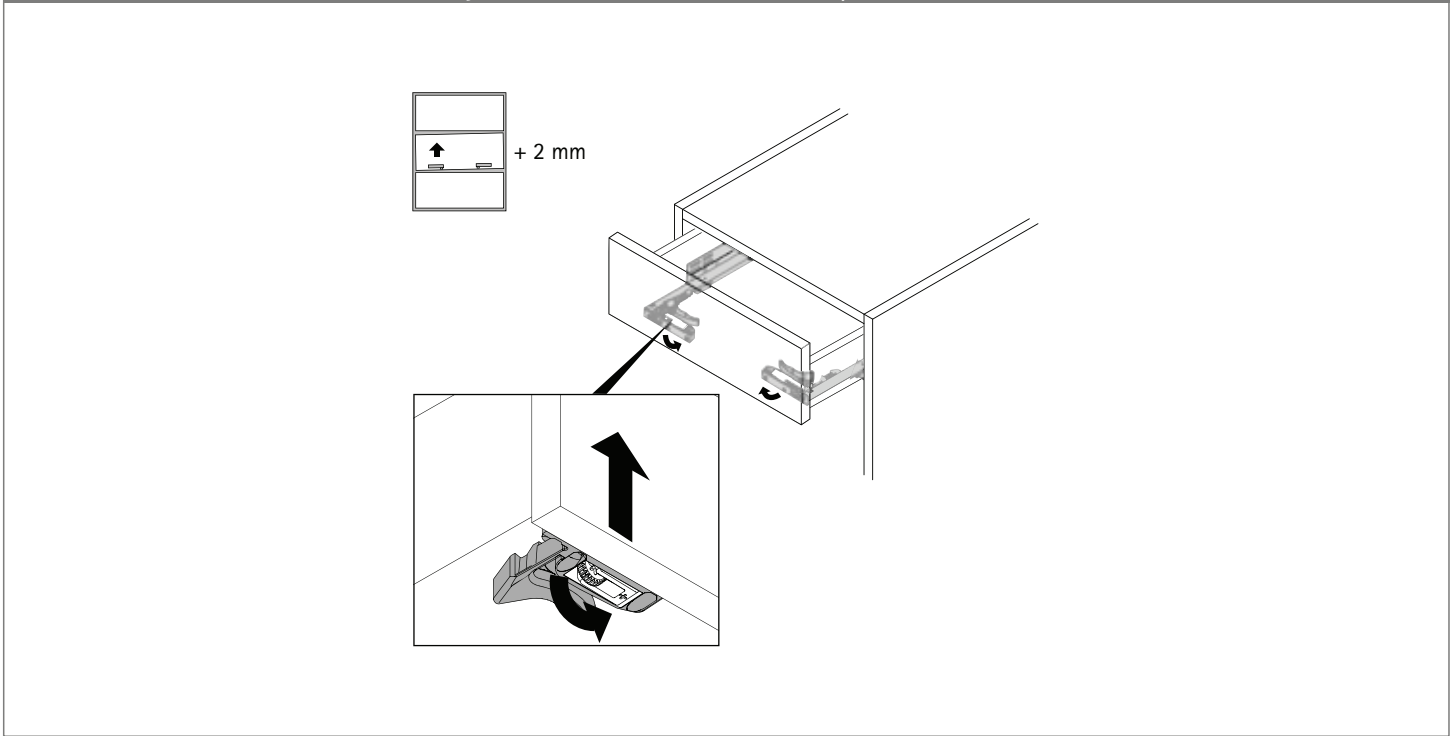
Advice

- ▶ Dimensions in millimeters (inch approximations as noted). Subject to technical modifications without notice.

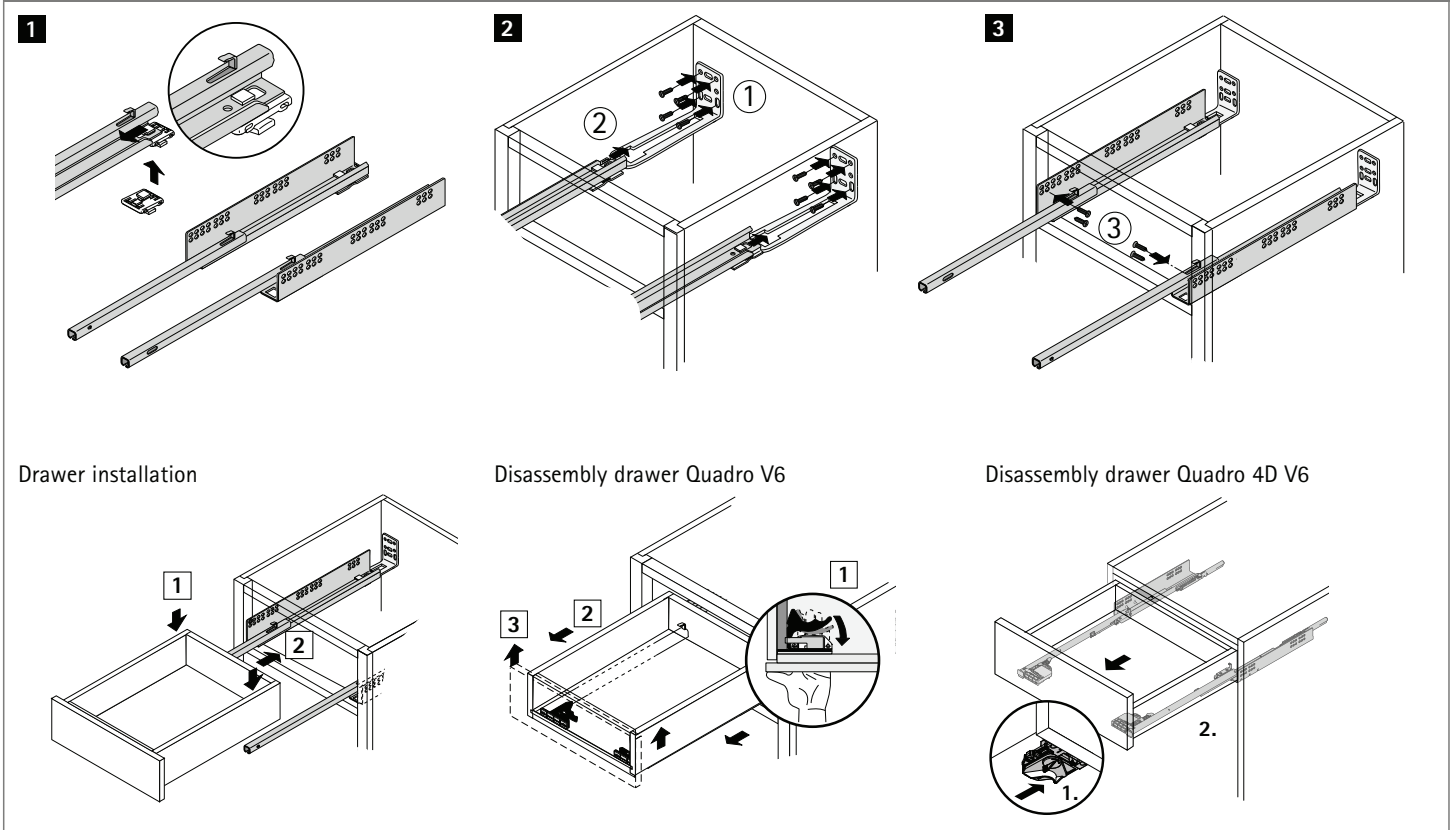
Drawer slides for wooden drawers

- ▶ Quadro
- ▶ Technical information

Quadro V6 full extension runner: adjustment of the drawer front panel



Assembly / Disassembly



Drawer installation

Disassembly drawer Quadro V6

Disassembly drawer Quadro 4D V6

Advice

- ▶ Dimensions in millimeters (inch approximations as noted). Subject to technical modifications without notice.