



Quadro full extension drawer slides for wooden drawers:

**Quadro V6 IW 21**

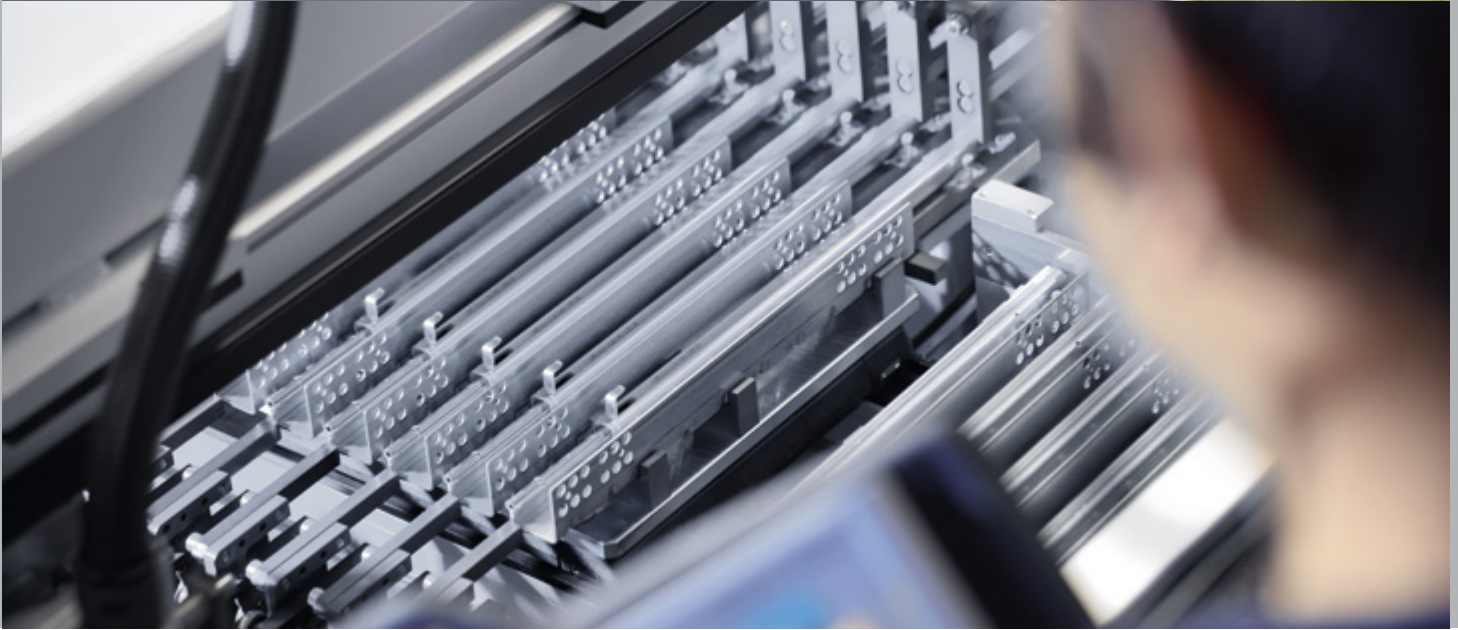
**Quadro 4D V6 IW 21**

Technik für Möbel

  
**Hettich**

Thank You For Choosing Hettich





Cabinet hardware technology is our competence and passion. Our products set the benchmark for function, quality, and comfort. The brand Hettich symbolizes a strong partnership with the Kitchen and Bath, Residential, Office, Distribution, and Appliance industries. Our today is dedicated to designing a successful tomorrow. Through our brand values (Quality, Innovation, Reliability, and Closeness to customers) we will pave the way to future successes.

Hettich is a German based, family owned, global supplier of hinges, drawer slides, drawer systems, and sliding/folding hardware. We have production facilities located in North America, Europe and Asia. Hettich America is proud of the fact that the Full Access Quadro is manufactured in our facility in Buford, GA, which created jobs and shortened leadtimes. A true benefit to our customers.

For all demands:  
Quadro drawer slides



**For all demands:**  
Quadro is available as partial or full extension, in many lengths and load capacities.

Even heavy drawers close quietly and gently – thanks to the integrated Silent System.



Quadro drawer slides guarantee the ultimate in drawer convenience: attractive design through concealed installation, long service life and unceasing top performance.

The robust, resilient runners provide the steel balls with optimum control - for perfect vertical and lateral stability.

The optional Silent System gently shuts drawers in complete silence.



High precision Quadro profiles provide easy action and smooth gliding performance, for a maximum feel of luxury.



Installing wooden drawers couldn't be easier: simply slide on the drawer.

## Benefits at a glance: Quadro drawer slides

### For lasting furniture pleasure:

- High precision, maintenance free steel ball bearings
- Special Quadro profile geometry for good tracking and stability
- Harmonious, smooth running action

### For efficient furniture production:

- A multitude of opportunities for variation with uniform drawer dimensions and carcass drillings
- Partial and full extension slides
- Integrated Silent System
- Quadro 4D with precision front panel adjustment

### For attractive furniture design:

- Concealed runner profiles impress from behind the front panel



**Quadro 4D V6 for a best in class front panel alignment:**

- Intuitive and tool-less adjustment of the front panel
- Height adjustment  $\pm 2$  mm
- Side adjustment  $\pm 1,5$  mm
- Depth adjustment  $\pm 2$  mm
- Tilt adjustment

## Drawer slides for wooden drawers

- ▶ Quadro full extension slides
- ▶ Summary



Quadro V6 IW 21 / Quadro 4D V6 IW 21 full extension slides,  
slide on installation  
Range summary / Technical comparison

7



Accessories  
Range summary / Technical comparison

7



Technical information




13 - 19



# Drawer slides for wooden drawers



- ▶ Quadro full extension slides
- ▶ Range summary / Technical comparison

	Quadro V6 with Silent System 	Quadro 4D V6 with Silent System 	Accessories 
Page	8 - 9	10 - 11	12
Description	Full extension runner with integrated Silent System	Full extension runner with integrated Silent System and 4D adjustment	Rear attachments, spacer block
Loading capacity	90 lbs	90 lbs	
Drawer lengths	9" - 24"	9" - 24"	
Installation	<ul style="list-style-type: none"> <li>▶ Face frame application or frameless application</li> <li>▶ Slide on installation</li> </ul>	<ul style="list-style-type: none"> <li>▶ Face frame application or frameless application</li> <li>▶ Slide on installation</li> </ul>	

## Drawer slides for wooden drawers

- ▶ **Quadro V6 full extension slide with Silent System**
- ▶ **Load capacity 90 lbs**

### Quadro V6 full extension slide with Silent System



- ▶ **Silent System:** the integrated Silent System closes the drawer quietly and gently
- ▶ Convenient slide on installation with catches and tool-less height adjustment
- ▶ Meets or exceeds ANSI/BHMA 156.9 grade 1 requirements
- ▶ Load capacity up to 90 lbs dynamic (100 lbs static), as per ANSI/BHMA 156.9 grade 1 specifications on a 21" length slide
- ▶ Galvanized steel, suitable for rooms exposed to moisture
- ▶ For 1/2" (13 mm) or 5/8" (16 mm) drawer side thickness

### Quadro V6 IW21 full extension drawer slide

Item	Drawer box length		Order no. Set	PU	Order no. Left hand	Order no. Right hand	PU
	mm	(inch)					
Quadro V6 9"	229 mm	(9")	<b>9 134 399</b>	10	<b>9 134 397</b>	<b>9 134 398</b>	20
Quadro V6 12"	305 mm	(12")	<b>9 134 388</b>	5	<b>9 134 385</b>	<b>9 134 386</b>	10
Quadro V6 15"	381 mm	(15")	<b>9 134 368</b>	5	<b>9 134 370</b>	<b>9 134 381</b>	10
Quadro V6 18"	457 mm	(18")	<b>9 134 339</b>	5	<b>9 134 340</b>	<b>9 134 341</b>	10
Quadro V6 21"	533 mm	(21")	<b>9 134 329</b>	5	<b>9 134 331</b>	<b>9 134 332</b>	10
Quadro V6 24"	610 mm	(24")	<b>9 134 273</b>	5	<b>9 134 271</b>	<b>9 134 272</b>	10

IW = Installation width

### Front fixing clip sets



- ▶ Set contains one front fixing clip left/right each
- ▶ For 13 mm (1/2") or 16 mm (5/8") drawer material thickness
- ▶ With + 2 mm toolless height adjustment
- ▶ Minimum drawer inside width = 165 mm (6 1/2")
- ▶ Installation recommended with two # 6 x 3/4" flat head screws per clip

Item	Order no.	PU
Front fixing clip set for 1/2"	<b>9 140 416</b>	100
	<b>9 140 417</b>	10
Front fixing clip set for 5/8"	<b>9 140 413</b>	100
	<b>9 140 415</b>	10

## Advice

- ▶ Dimensions in millimeters (inch approximations as noted). Subject to technical modifications without notice.

# Drawer slides for wooden drawers

- ▶ **Quadro V6 full extension slide with Silent System**
- ▶ **Load capacity 90 lbs**

## Front fixing clip set with spacer



- ▶ Set contains front fixing clips left/right for 16 mm (5/8") drawer subfront thickness, and two optional spacers for 13 mm (1/2") drawer subfront thickness
- ▶ With + 2 mm toolless height adjustment
- ▶ Minimum drawer inside width = 165 mm (6 1/2")
- ▶ Installation recommended with two # 6 x 7/8" flat head screws per clip

Item	Order no.	PU
Front fixing clip set & spacer for 5/8" or 1/2"	<b>9 026 839</b>	10

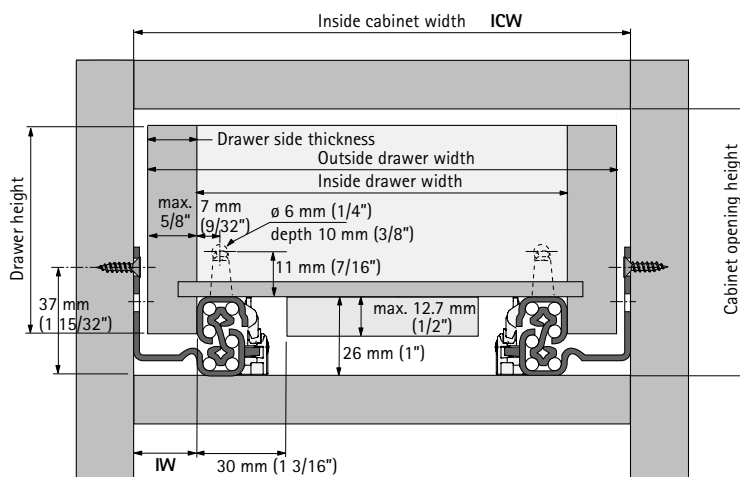
## Front fixing clip for narrow drawers



- ▶ Set contains one front fixing clip left/right each
- ▶ For 13 mm (1/2") or 16 mm (5/8") drawer material thickness
- ▶ Minimum drawer inside width = 92 mm (3 5/8")
- ▶ No height adjustment
- ▶ Installation recommended with two # 6 x 3/4" flat head screws per clip

Item	Order no.	PU
Narrow front fixing clip set for 1/2"	<b>9 194 032</b>	50
Narrow front fixing clip set for 5/8"	<b>9 154 442</b>	50

## Planning dimensions



IW = Installation width	21 mm	
Drawer side thickness	1/2" (13 mm)	5/8" (16 mm)
Outside drawer width = ICW minus	5/8" (16 mm)	3/8" (10 mm)
Inside drawer width = ICW minus	1 21/32" (42 mm)	

Maximum drawer height = cabinet opening height minus 20 mm (13/16")  
 Minimum cabinet opening height = drawer height plus 20 mm (13/16")  
 Dimensions in millimeters (inch approximations as noted)

## Advice

- ▶ Dimensions in millimeters (inch approximations as noted). Subject to technical modifications without notice.

## Drawer slides for wooden drawers

- ▶ **Quadro 4D V6 full extension slide with Silent System**
- ▶ **Load capacity 90 lbs**

### Quadro 4D V6 full extension slide with Silent System



- ▶ **Silent System:** the integrated Silent System closes the drawer quietly and gently
- ▶ Convenient slide on installation with 4D catches and tilt adjustment
- ▶ Tool-less, intuitive height adjustment up to + 2 mm, side adjustment up to +/- 1.5 mm, depth adjustment up to +/- 2 mm and tilt adjustment
- ▶ Meets or exceeds ANSI/BHMA 156.9 grade 1 requirements
- ▶ Load capacity up to 90 lbs dynamic (100 lbs static), as per ANSI/BHMA 156.9 grade 1 specifications on a 21" length slide
- ▶ Galvanized steel, suitable for rooms exposed to moisture

### Quadro 4D V6 IW21 full extension drawer slide

Item	Drawer box length		Order no. Set	PU	Order no. Left hand	Order no. Right hand	PU
	mm	(inch)					
Quadro 4D V6 9"	229 mm	(9")	<b>9 209 777</b>	5	<b>9 181 140</b>	<b>9 181 141</b>	10
Quadro 4D V6 12"	305 mm	(12")	<b>9 209 798</b>	5	<b>9 181 142</b>	<b>9 181 143</b>	10
Quadro 4D V6 15"	381 mm	(15")	<b>9 209 799</b>	5	<b>9 181 144</b>	<b>9 181 145</b>	10
Quadro 4D V6 18"	457 mm	(18")	<b>9 209 800</b>	5	<b>9 181 146</b>	<b>9 181 147</b>	10
Quadro 4D V6 21"	533 mm	(21")	<b>9 209 801</b>	5	<b>9 181 148</b>	<b>9 181 149</b>	10
Quadro 4D V6 24"	610 mm	(24")	<b>9 209 802</b>	5	<b>9 181 150</b>	<b>9 181 151</b>	10

IW = Installation width

### Quadro 4D V6 Front fixing clips



- ▶ Quadro 4D V6 Front fixing clips
- ▶ For securely connecting the Quadro runner and wooden drawer without the need for tools
- ▶ Tool-less height adjustment up to + 2 mm and side adjustment up to +/- 1.5 mm
- ▶ Installation recommended with two # 6 x 3/4" flat head screws per catch
- ▶ Plastic, grey

Article	Order no.	PU
Catch, Quadro 4D, left	<b>9 183 185</b>	100
Catch, Quadro 4D, right	<b>9 183 186</b>	100

### Distributor pack: Quadro 4D V6 Front fixing clip set with spacers



- ▶ For securely connecting the Quadro runner and wooden drawer without the need for tools
- ▶ Tool-less height adjustment up to + 2 mm
- ▶ Installation recommended with two # 6 x 7/8" flat head screws per catch and side adjustment up to +/- 1.5 mm
- ▶ Plastic, grey

Distributor pack includes:

- ▶ 10 LH Front Fixing Clips
- ▶ 10 RH Front Fixing Clips
- ▶ 20 Spacers for 1/2" drawer box material

Article	Order no.	PU
Distributor pack	<b>9 218 980</b>	10

## Advice

- ▶ Dimensions in millimeters (inch approximations as noted). Subject to technical modifications without notice.

## Drawer slides for wooden drawers

- ▶ **Quadro 4D V6 full extension slide with Silent System**
- ▶ **Load capacity 90 lbs**

### Quadro 4D V6 tilt adjuster for wooden drawers



- ▶ Large range within which the rear hook can be inserted in the runner for safe installation, even when the adjustment range is fully used
- ▶ Tool-less tilt adjustment, conveniently achieved by pulling the drawer forward slightly on the runner
- ▶ Plastic, grey
- ▶ Installation recommended with two # 6 x 1/2" flat head screws per adjuster

Article	Order no.	PU
Tilt adjuster, Quadro 4D, left	9 205 924	100
Tilt adjuster, Quadro 4D, right	9 205 925	100

### Distributor pack: Quadro 4D V6 Front fixing clip set with tilt adjustment and spacers



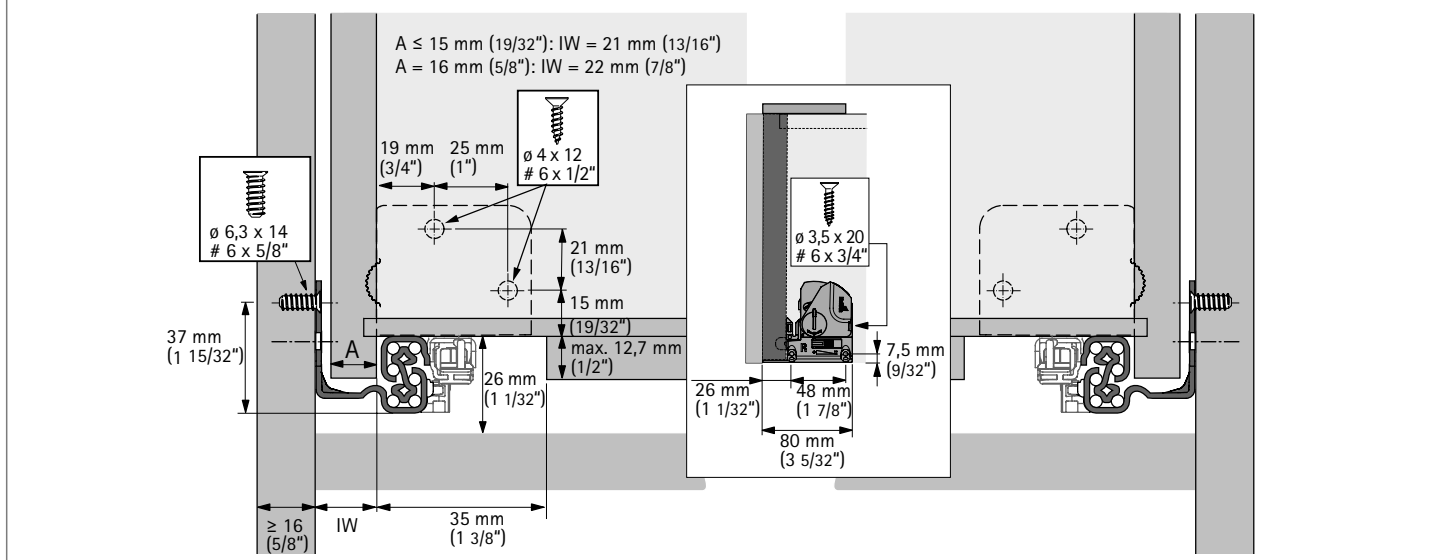
- ▶ Large range within which the rear hook can be inserted in the runner for safe installation, even when the adjustment range is fully used
- ▶ Tool-less tilt adjustment, conveniently achieved by pulling the drawer forward slightly on the runner
- ▶ Plastic, grey

Distributor pack includes:

- ▶ 10 LH Front Fixing Clips
- ▶ 10 RH Front Fixing Clips
- ▶ 10 LH Tilt Adjusters
- ▶ 10 RH Tilt Adjusters
- ▶ 20 Spacers for 1/2" drawer box material

Article	Order no.	PU
Distributor pack	9 218 979	10

### Planning dimensions



\* Limited side adjustment, internal drawer width not compatible with Quadro V6

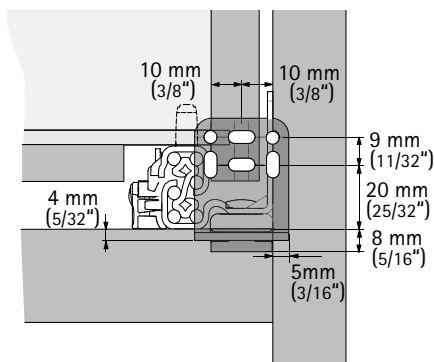
### Advice

- ▶ Dimensions in millimeters (inch approximations as noted). Subject to technical modifications without notice.

## Drawer slides for wooden drawers

- ▶ Quadro V6 and 4D V6 full extension slides
- ▶ Rear attachments

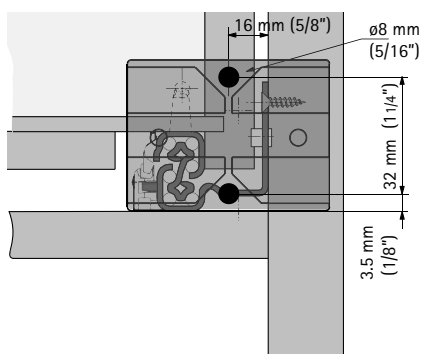
### Metal rear attachment set (screw-on)



- ▶ Set contains 2 metal rear mount brackets and 2 plastic connectors
- ▶ Non-handed, two-piece design
- ▶ For up to 50 mm (1 15/16") depth adjustment and ± 1,5 mm (1/16") side adjustment
- ▶ Additional adjustment via oblong holes
- ▶ Installation recommended with min. four # 6 pan head screws or similar

Item	Order no.	PU
Rear attachment set	9 055 093	10

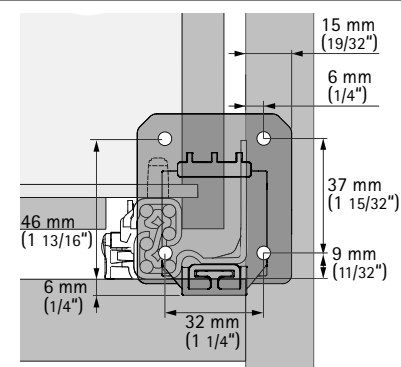
### Plastic rear attachment (TennTex Solutions C-307, plug-in)



- ▶ Plastic rear mount bracket with connector
- ▶ Non-handed, two-piece design (pre-assembled)
- ▶ For up to 27 mm (1 1/16") depth adjustment and +/- 16 mm (5/8") side-to-side self-alignment
- ▶ Non-detachable 8 mm dowels
- ▶ For 1/8" rear panel material thickness.
- ▶ Order 2 per drawer

Item	Order no.	PU
Rear attachment	1 135 174	100

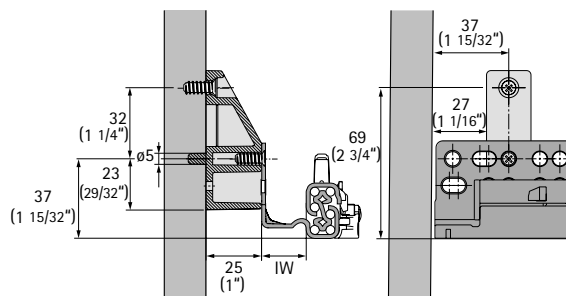
### Plastic rear attachment (TennTex Solutions C-274, screw-on)



- ▶ Plastic rear mount bracket with connector
- ▶ Non-handed, two-piece design (pre-assembled)
- ▶ For up to 27 mm (1 1/16") depth adjustment and +/- 12 mm (15/32) side-to-side self-alignment
- ▶ Installation recommended with four # 8 flat head screws per bracket
- ▶ Order 2 per drawer

Item	Order no.	PU
Rear attachment	1 135 181	100

### Spacer block



- ▶ 25 mm (1") distance block
- ▶ For Setback blocking, frameless construction, internal pullouts, etc.
- ▶ Installation recommended with one ø 6.3 mm Euro screw or # 8 flat head screw per spacer
- ▶ Installation of slide to spacer recommended with one ø 6.3 mm Euro screw per spacer

Item	Order no.	PU
Spacer, 25 mm white	1 130 537	200

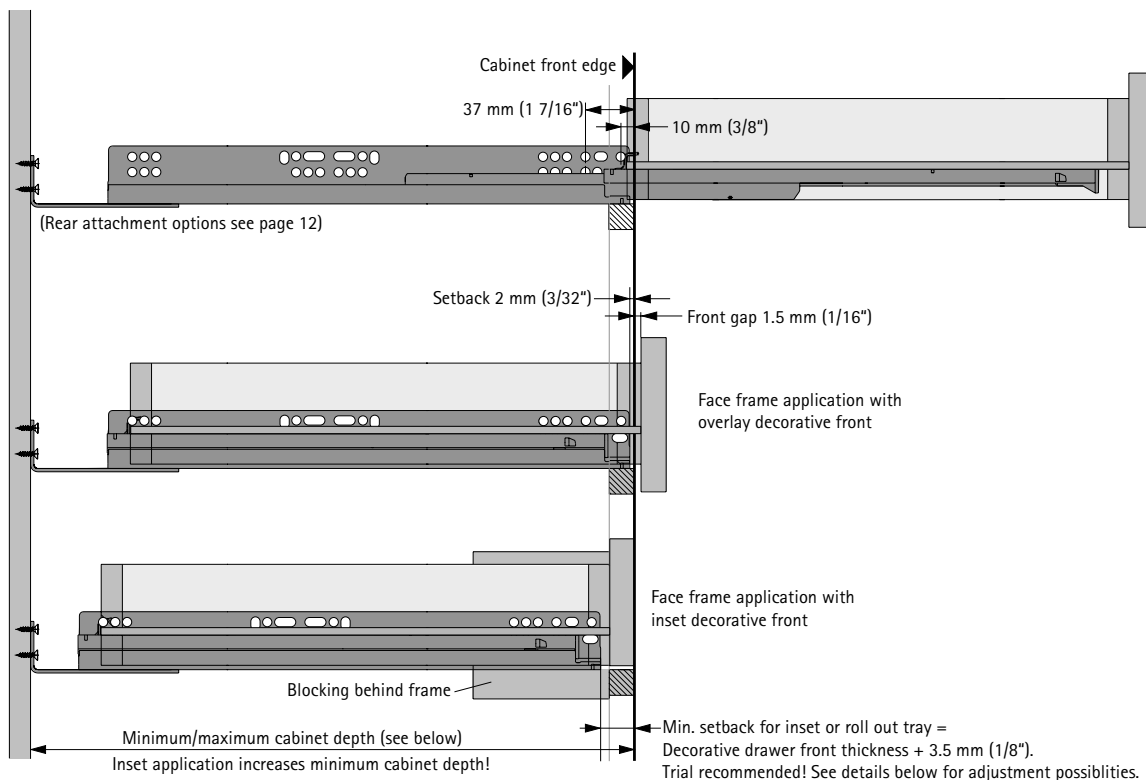
## Advice

- ▶ Dimensions in millimeters (inch approximations as noted). Subject to technical modifications without notice.

# Drawer slides for wooden drawers

- ▶ **Quadro**
- ▶ **Technical information**

## Mounting specifications – (Quadro V6 / Quadro 4D V6, face frame application)



## Minimum / maximum cabinet depth (Quadro V6 / Quadro 4D V6, face frame application)

Drawer box length		Min-Max cabinet depth with metal rear attachment		Min-Max cabinet depth with plastic rear attachment (TennTex C-307)	
mm	(inch)	mm	(inch)	mm	(inch)
229 mm	(9") Quadro V6	250 - 300 mm	(9 7/8" - 11 3/4")	270 - 297 mm	(10 5/8" - 11 11/16")
305 mm	(12")	326 - 376 mm	(12 7/8" - 14 3/4")	346 - 373 mm	(13 5/8" - 14 11/16")
381 mm	(15")	402 - 452 mm	(15 7/8" - 17 3/4")	422 - 449 mm	(16 5/8" - 17 11/16")
457 mm	(18")	479 - 529 mm	(18 7/8" - 20 3/4")	498 - 525 mm	(19 5/8" - 20 11/16")
533 mm	(21")	555 - 605 mm	(21 7/8" - 23 3/4")	574 - 601 mm	(22 5/8" - 23 11/16")
610 mm	(24")	631 mm (24 7/8") no rear attachment, must be blocked out			

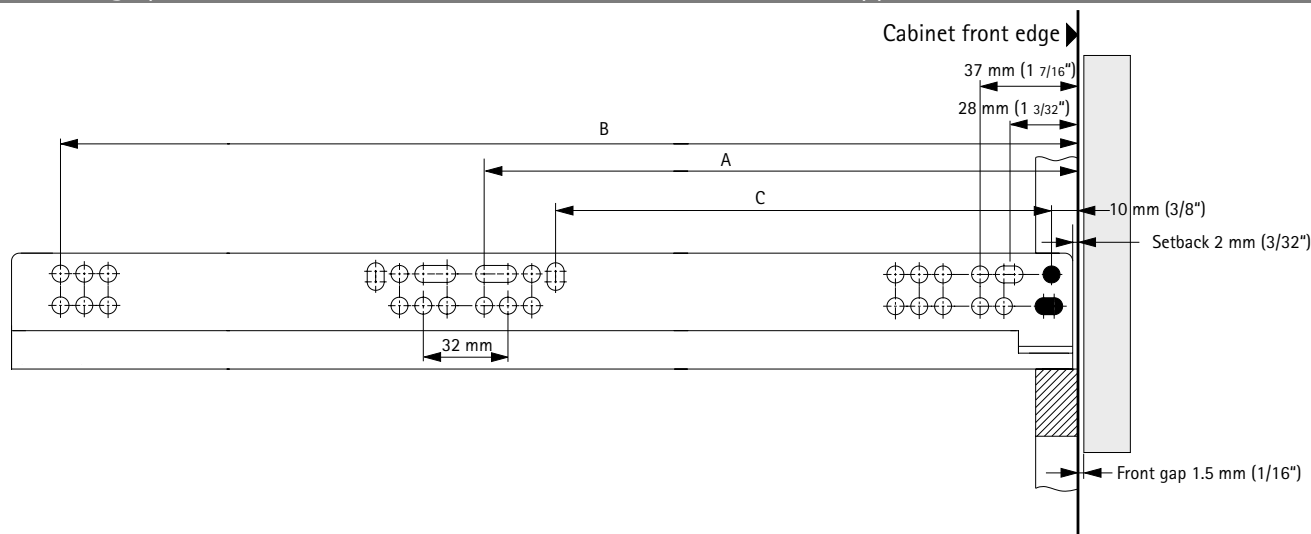
### Advice

- ▶ Dimensions in millimeters (inch approximations as noted). Subject to technical modifications without notice.

# Drawer slides for wooden drawers

- ▶ **Quadro**
- ▶ **Technical information**

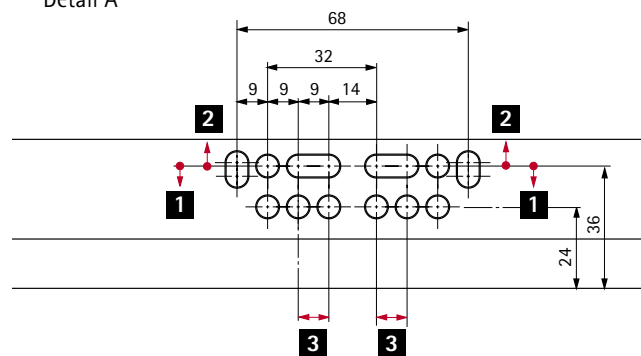
## Mounting specifications – (Quadro V6 / Quadro 4D V6, face frame application)



Item	A		B		C		Minimum cabinet depth (blocking or frameless cabinet)	
	mm	(inch)	mm	(inch)	mm	(inch)	mm	(inch)
Quadro V6 9"	133	(5 1/4)	229	(9)	96	(3 25/32)	250	(9 7/8)
Quadro V6 12"	165	(6 1/2)	261	(10 1/4)	128	(5 1/32)	326	(12 7/8)
Quadro V6 15"	165	(6 1/2)	357	(14 1/16)	128	(5 1/32)	402	(15 7/8)
Quadro V6 18"	261	(10 1/4)	453	(17 13/16)	224	(8 13/16)	479	(18 7/8)
Quadro V6 21"	261	(10 1/4)	517	(20 3/8)	224	(8 13/16)	555	(21 7/8)
Quadro V6 24"	261	(10 1/4)	453	(17 13/16)	224	(8 13/16)	631	(24 7/8)

## Adjustment possibilities – cabinet profile details

Detail A\*

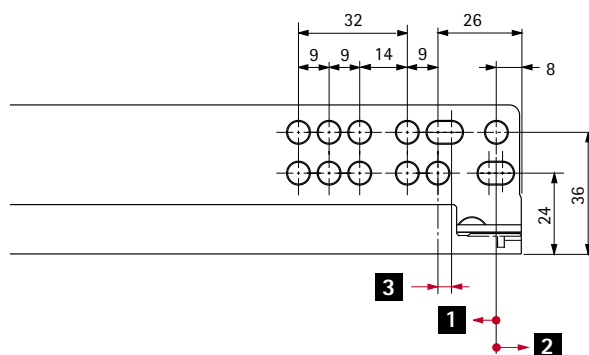


Drawer adjustments:

- 1** 1 mm (1/32") (down)
- 2** 3 mm (1/8") (up)
- 3** 9 mm (3/8") (range in/out)

Trial recommended!  
Adjustment influences minimum cabinet depth.

Detail B\*



Drawer adjustments:

- 1** 1.5 mm (1/16") (in)
- 2** 2.5 mm (3/32") (out)
- 3** 4 mm (5/32") (range in/out)

## Advice

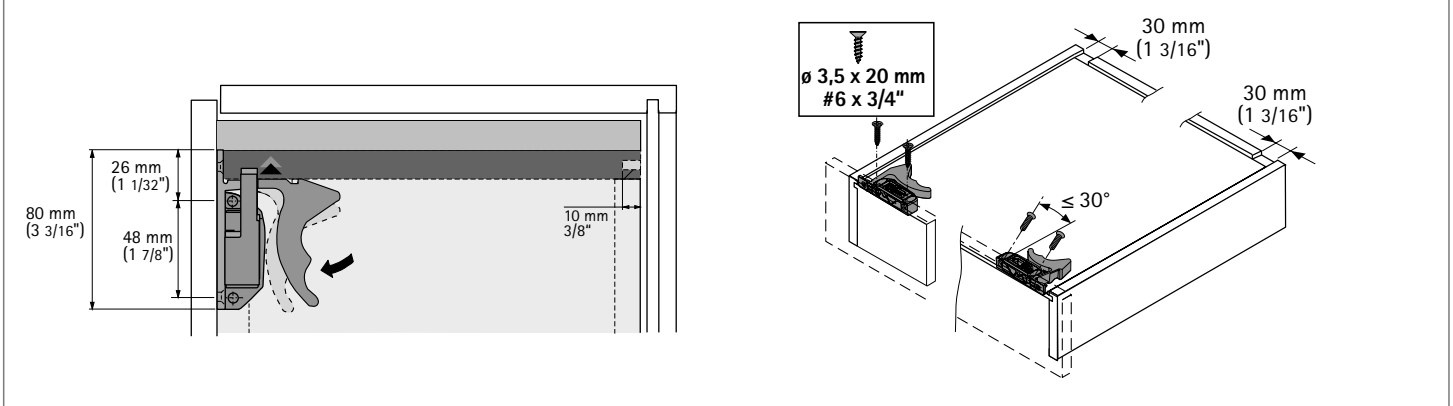
- ▶ Dimensions in millimeters (inch approximations as noted). Subject to technical modifications without notice.



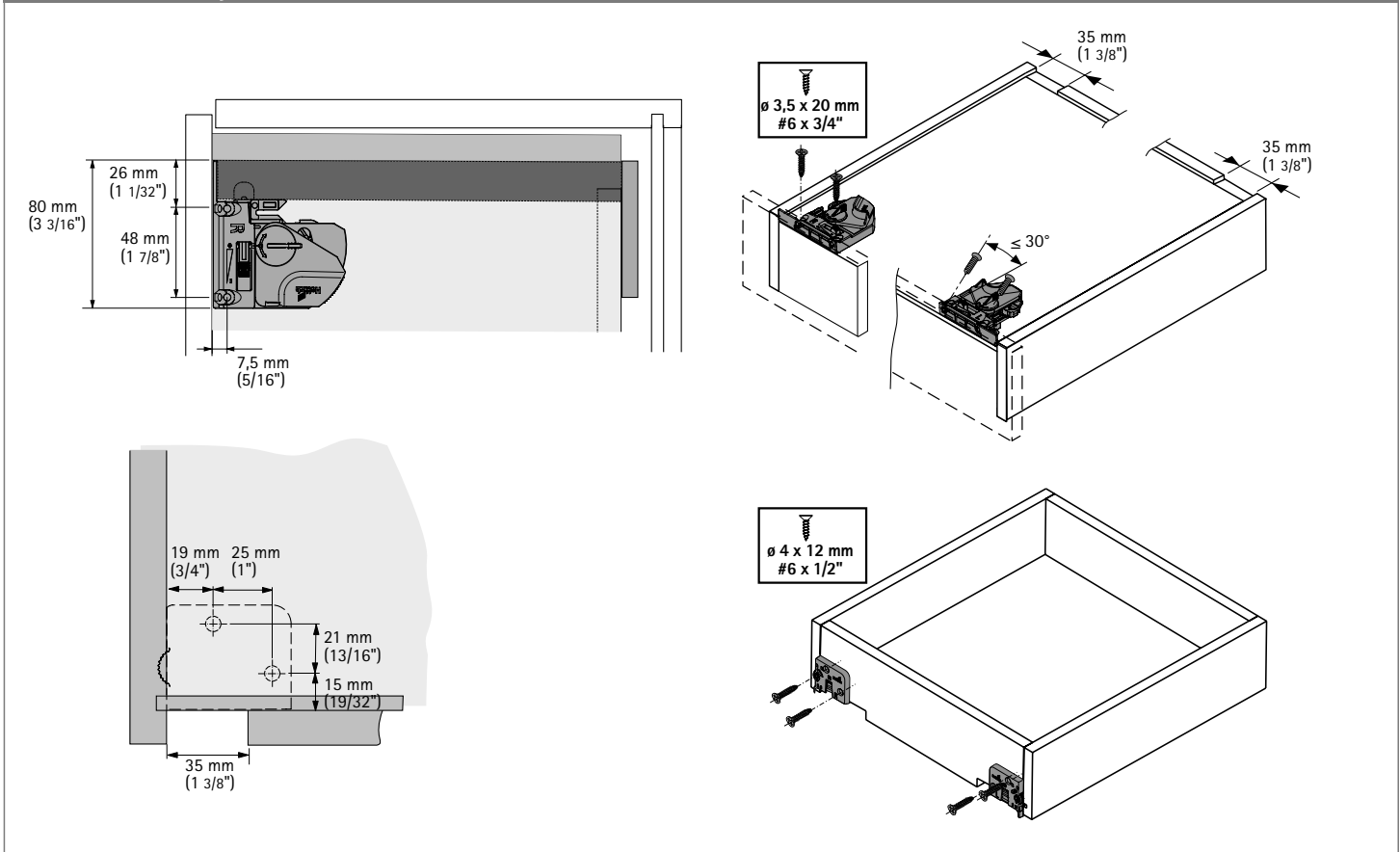
# Drawer slides for wooden drawers

- ▶ Quadro
- ▶ Technical information

## Catch for wooden drawers (Quadro V6 full extension)



## Catch and tilt adjuster for wooden drawers (Quadro 4D V6 full extension)



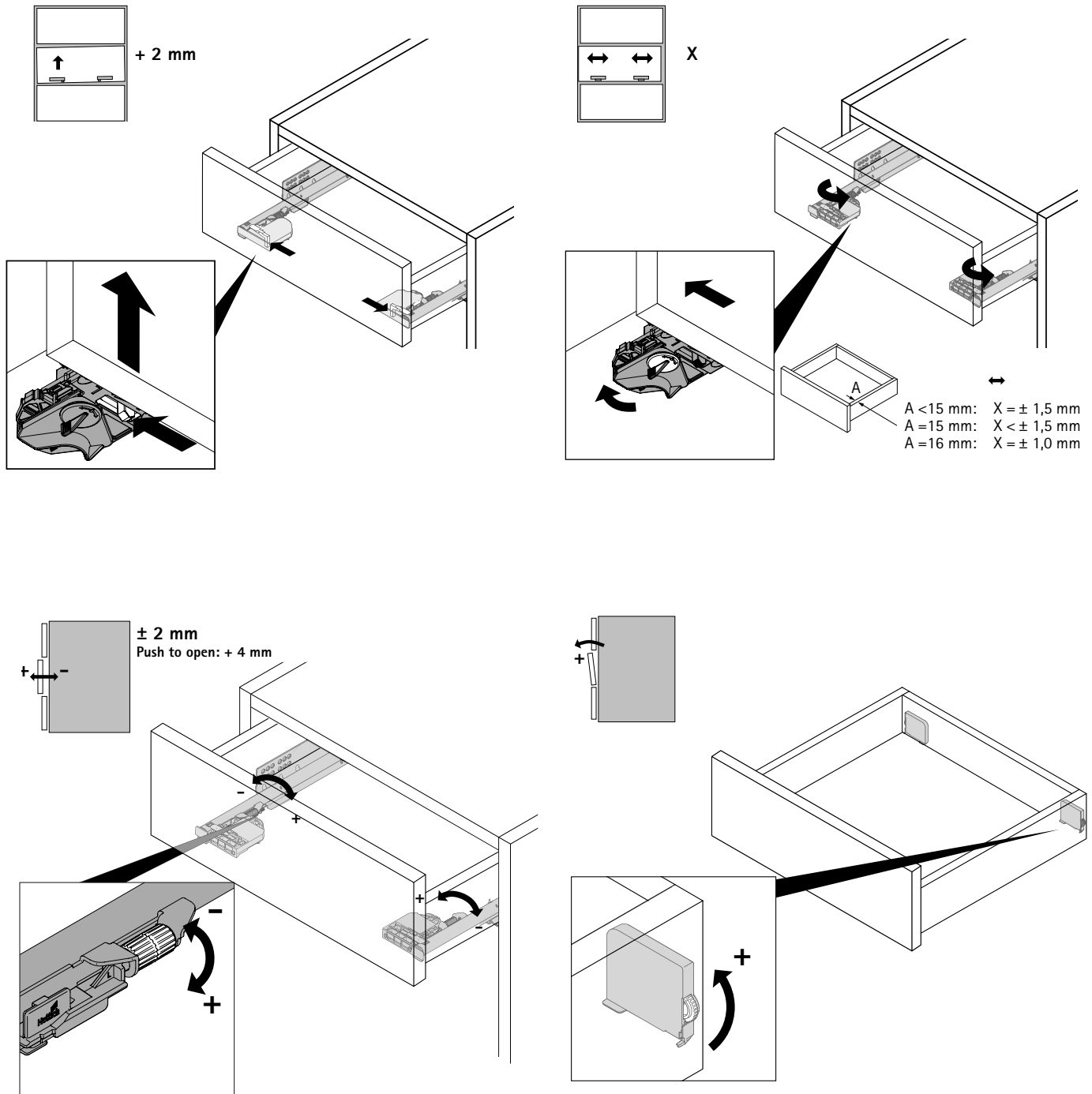
### Advice

- ▶ Dimensions in millimeters (inch approximations as noted). Subject to technical modifications without notice.

# Drawer slides for wooden drawers

- ▶ Quadro
- ▶ Technical information

## Quadro 4D V6 full extension runner: adjustment of the drawer front panel



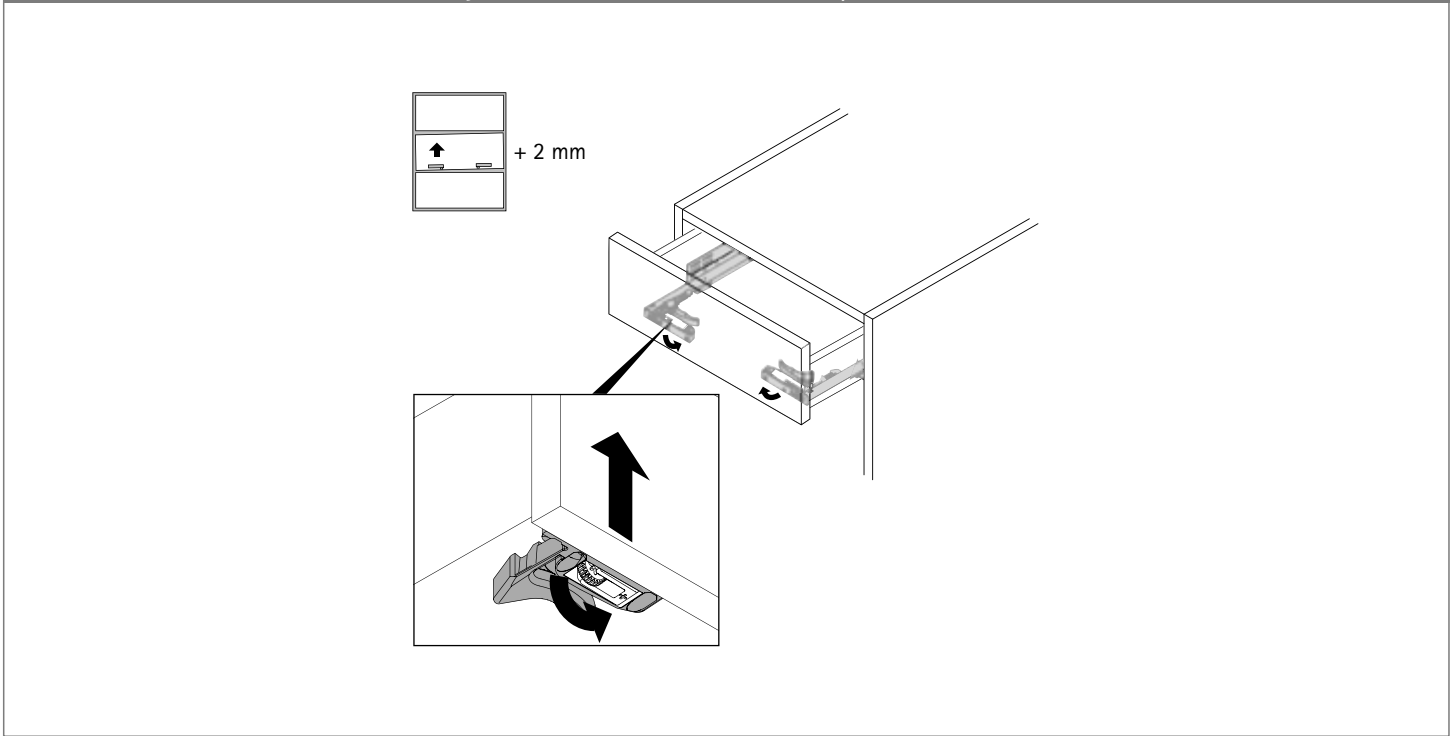
### Advice

- ▶ Dimensions in millimeters (inch approximations as noted). Subject to technical modifications without notice.

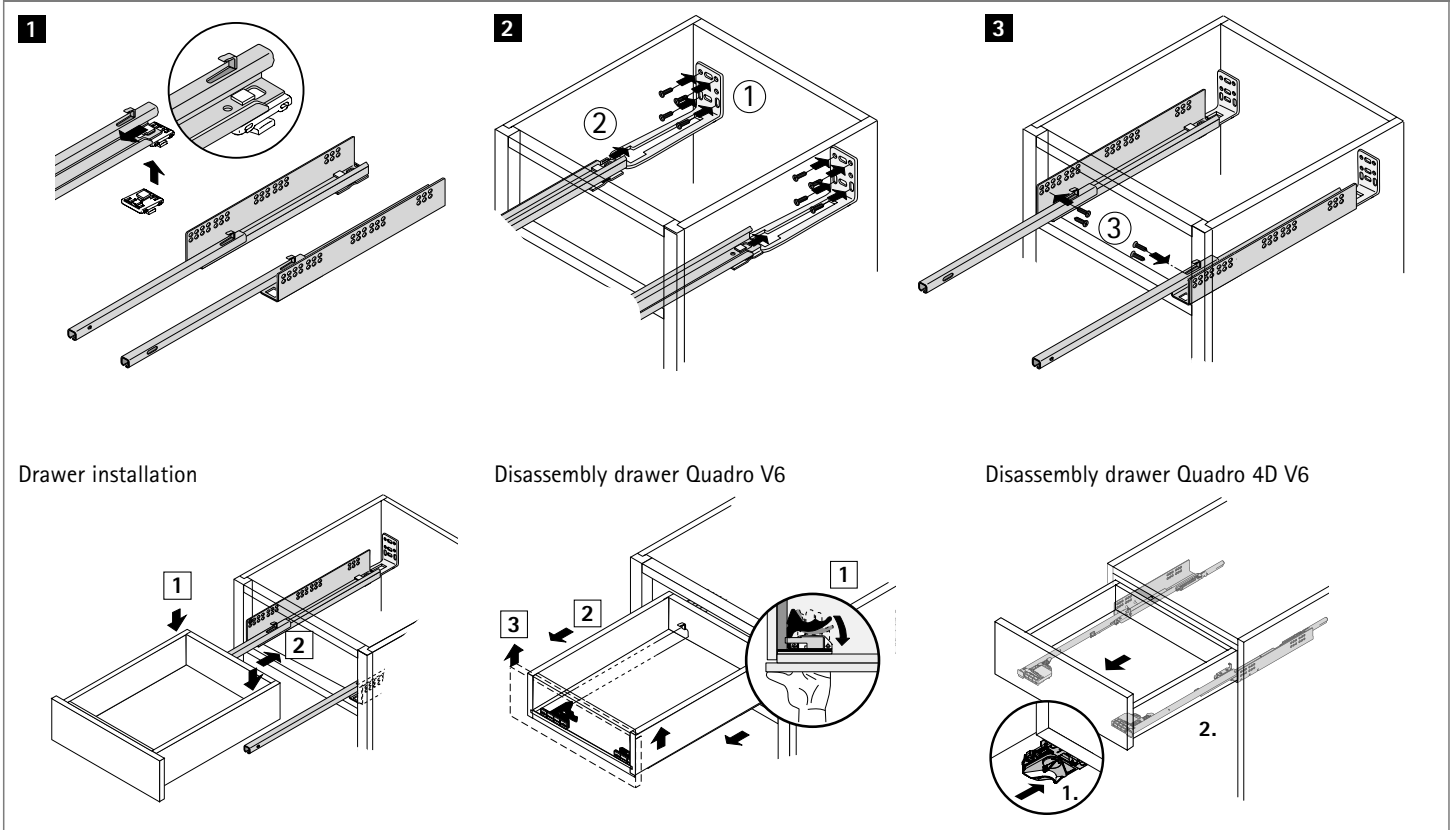
# Drawer slides for wooden drawers

- ▶ Quadro
- ▶ Technical information

## Quadro V6 full extension runner: adjustment of the drawer front panel



## Assembly / Disassembly



### Advice

- ▶ Dimensions in millimeters (inch approximations as noted). Subject to technical modifications without notice.



Hettich accepts responsibility for the world we live in. This awareness defines the strict policy of environmental management that we practise. Our environmental officer has taken personal responsibility for these aspects throughout the group of companies over a period of many years. In addition, a separate environment committee has been established for each production site. We regard statutory provisions as minimum requirements. At significant sites we also implement the stringent EMAS Regulation. And we drive forward developments that in future will help to save even more raw materials and support the necessary endeavours towards sustainability.

### Hettich environmental management

In 1996 Hettich started introducing effective environmental management systems under the stringent EMAS Regulation (currently: EC Regulation No. 761/2001, including EN ISO

14.001/2004). This not only enables us to improve our environmental performance on a broad front but also to achieve a high level of safety which, not least, also benefits our customers. This is why we also require our suppliers to meet the necessary minimum standards of environmental protection, industrial safety, health care and social welfare.

The results achieved in the drawer runner and drawer system product segment at the Kirchlengern operation illustrate the impressive effects these measures have and verifiably demonstrate our tireless endeavours to translate words into action:

Relief to the environment between 1997 and 2008:

Specific water consumption:	56 percent
Specific power consumption:	21 percent
Specific heat consumption:	84 percent
Specific CO <sub>2</sub> emissions:	29 percent



### Hettich standard for product materials

Hettich underpins its commitment by applying an internal standard for product materials. This ensures that every product – from production to disposal – satisfies all environmental requirements. Hettich products are durable. Appropriately foresighted, our rigorous standards are formulated to ensure that international legislation is also met. This provides a reliable basis for marketing furniture worldwide.

### Zero energy building – Hettich Forum

The Hettich Forum building with its neutral energy balance is a shining example of future proof building design. Photovoltaic panels and solar collection system providing hot water as well as extensive roof greening and use of rain water underscore this building's overall

sustainability concept in just the same way as the broad use of cellulose insulation material from recycled newspapers, highly efficient heat recovery and the bulb free lighting concept do.

With the Hettich group of companies having acquired European Commission GreenBuilding Partner status on 5 March 2009, the comprehensive approach demonstrated by the Hettich Forum has also convinced the adjudicating panel of the national „Green Building Award 2009“. Hettich received the first prize to be presented in the „New Building“ category.



# Drawer slides for wooden drawers

- ▶ **Technical Information**
- ▶ **Legal Notice**

## **Application**

Hettich slides are suitable for use in living room and kitchen cabinets both in the home and business environment (face frame and frameless construction).

## **Load capacity and over-extension guard**

The load capacity ANSI/BHMA 156.9, grade 1 stated in the catalogue is understood to mean the weight of the drawer itself including contents.

All Hettich slides feature guards to prevent the drawer from rolling out and being removed unintentionally and meet the requirements of the impact test in a test frame to ANSI/BHMA 156.9, grade 1.

Fitted in the proper manner, the slides featured in this catalogue are suitable for cabinet demands as described by K.C.M.A.

## **Corrosion test**

Hettich slide systems satisfy the requirements on corrosion defined in DIN EN 15338, 72-hour condensation-water test to DIN EN 6270.

## **Material specification**

Zinc-plated steel slide with permanently lubricated synthetic ball bearing races, hardened steel balls; spring loaded self-closing mechanism/non-fluid damping mechanism; zinc-plated steel or synthetic rear bracket; synthetic front fixing clip.

## **General technical conditions**

The fitting instructions, screw-fixing points and loading information specified in this catalogue assume proper attachment in a cabinet material providing a screw pull-out resistance of > 1,000 N in accordance with DIN EN 320.

Hettich accepts no responsibility for the use of materials or fastening methods other than those stated. If other materials or methods of attachment are used, the cabinet manufacturer is required to verify the system's load-bearing capacity.

## **General terms of sale and delivery:**

All products and services will be provided exclusively on the basis of our General Terms of Sale and Delivery published on our website at [www.hettich-agb.com](http://www.hettich-agb.com).

## **Legal Notice**

© Hettich Marketing- und Vertriebs GmbH & Co. KG  
32278 Kirchlengern · Germany  
March 2017

We reserve all rights to this catalogue under copyright law. It shall not be permissible to duplicate this catalogue in any form either in whole or in part without our written consent. Subject to technical alterations. Errors and omissions excepted. Subject to colour variations.





[www.hettich.com](http://www.hettich.com)

Order no.: 9 225 592  
1608-050-QUADRO-0317-HUS/en

Hettich America, L.P.  
4295 Hamilton Mill Road  
Suite 400  
Buford, GA 30518  
Phone: 1-800-438-8424  
Fax: 1-800-627-5152  
[info@hettichamerica.net](mailto:info@hettichamerica.net)

Technik für Möbel

