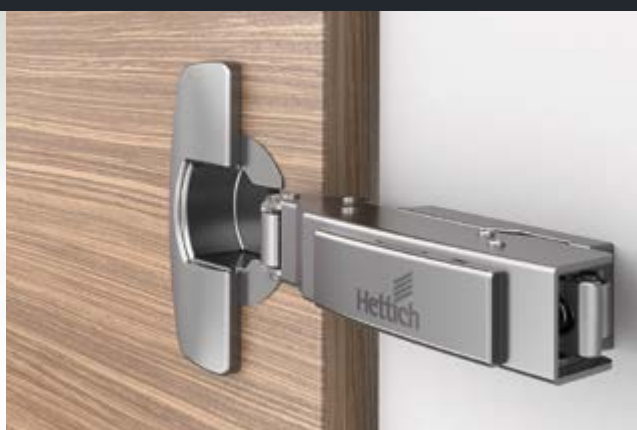




The design hinge with
integrated Silent System:
Sensys



Technik für Möbel


Hettich



High quality Silent System invisibly integrated in the hinge arm

Elegant cover cap for the hinge cup, also available for the hinge arm



Sensys makes your furniture safer.

The fast release button is elegantly concealed by the hinge arm. This reliably prevents the door from being released unintentionally.

Mounting plate compatible with Intermat hinges

Integrated depth adjustment for millimetre precision door alignment by direct adjustment

Integrated overlay adjustment with stop limiter for perfect gap alignment

Cam height adjustment for huge time savings

Perfectly coordinated design of hinge and mounting plate

Shallow cup depth also permits particularly thin fronts



Zero protrusion hinge for optimum use of storage space

Plan internal pot-and-pan drawers in maximum width and without spacers. The Sensys zero protrusion hinge opens the door so wide that it does not get in the way of the internal pot-and-pan drawer.



Narrow gaps between thick doors? Not a problem!

The Sensys thick door hinge confidently moves even heavy doors in a way that's noticeably felt. As a capable performer, it gives you creative design flexibility – for furniture design to tick all the boxes with your clients.



Time saving assembly

Tool-less clip on assembly means hinge and mounting plate can be put together in almost record breaking time. Direct adjustment of gap alignment also saves a lot of time. Fast assembly options for the cup additionally facilitates installation.



Differentiation despite lower inventory costs

Sensys mounting plates are also compatible with Intermat hinges. This means you can fit standardised carcass elements with fronts / hinges of different qualities. And set your furniture range apart with minimal effort.

Fast assembly concealed hinge

- ▶ Sensys with integrated Silent System
- ▶ Key selling points



Put the final touch to your furniture design with Sensys

Sensys helps to bring a look of harmony to your furniture. The hinge's multiple award winning design is not only ideal for complementing your furniture from a practical aspect but also in terms of aesthetic appeal. With Sensys, you are sure to excite customers with an eye for detail. If you wish, you can be part of the product with your own logo on the hinge's cover cap.



Optimum Silent System performance all automatically – without the effort of adjustment

The Sensys hinge's Silent System always closes any door gently and reliably. Whether small and light. Or large and heavy. The exceptionally wide automatic closing angle of 35° effortlessly slows down heavy doors even closed with a hard push.



Avoid complaints – with Sensys

Heat from direct sunlight or low temperatures in unheated new buildings can impair the performance of hinges – and also the perceived quality of your furniture as a result. Not so with Sensys: The Silent System is designed for perfect operation across an exceptionally wide temperature range from +5°C to +40°C.



Better Silent System performance reduces your costs

On large cabinet doors, the best in class performance you get with Sensys pays particular dividends: compared to other hinges, you often need one or two Sensys hinges less to obtain constant Silent System excellence.

Fast assembly concealed hinge

- ▶ Sensys with integrated Silent System
- ▶ Key selling points



Sensys hinge:

Ultimate Silent System perfectly designed



Stand apart from the competition!

Outstanding furniture design doesn't stop at the hinges. The easy way to meet customer demands: with well balanced, award winning Sensys design.



Less work!

No adjustment necessary. No matter whether large or heavy, the door always closes reliably and gently. As a result of the unusually wide automatic closing angle of 35°.



Maximum customer satisfaction!

No doors slamming when it's hot, no doors left standing open when it's cold. Sensys is optimized for reliable performance over a wide temperature range from + 5°C to + 40°C.



Reduce costs!

Some commonly used door formats normally hung on 3 or more hinges can often be mounted with one hinge less. As a result of best in class Silent System performance from Sensys.

Fast assembly concealed hinge

► Sensys with integrated Silent System



Beautiful. And beautifully quiet

Sensys hinges from Hettich are the heart of good doors. They provide unbeatable solutions for any range of furniture. Reliable performance, long life, noticeable high quality. With clever mounting and adjustment options.

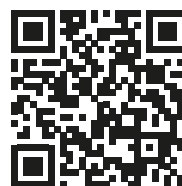
Sensys, the hinge technology with integrated soft closing function for even greater convenience closing hinged doors. With its uniquely wide automatic closing angle of 35°, Sensys closes the door almost on its own. Innovative, gentle, quiet.



Feature Silent System excellence and efficiency:
performs better than any of the others – saving a hinge in many cases!



Benefit from thermal stability:
whether in cool rooms or at high ambient temperature – the integrated Silent System never fails.



hettich.com/short/4d1ca4

Find out more:
You can get inspiration and further product details on our website.

Fast assembly concealed hinge

- ▶ Sensys with integrated Silent System
- ▶ Summary



Sensys
Range summary

8



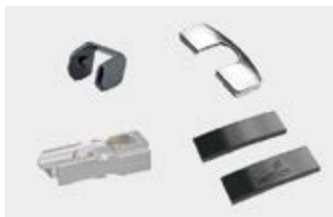
Sensys for glass applications
Range summary

54 - 55



Mounting plates
For Sensys and Intermat

38 - 45



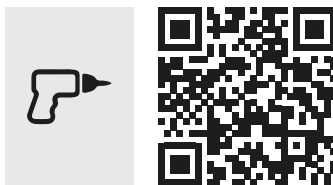
Accessories

46 - 51



Fitting information

76 - 78



Hettich Technical Assistant

- ▶ Installation
- ▶ Adjusting
- ▶ Service

hettich.com/short/3117cb

Fast-assembly concealed hinge

- ▶ Sensys
- ▶ Range summary



Sensys 110° hinge / Opening angle 110°

- ▶ Drilling pattern TH 52 x 5.5 9
- ▶ Drilling pattern TB 45 x 9.5 18
- ▶ Installation 26



Sensys thick door hinge / Opening angle 95°

- ▶ For narrow gaps between thick doors
- ▶ Drilling pattern TH 52 x 5.5 10
- ▶ Drilling pattern TB 45 x 9.5 19
- ▶ Installation 27 - 28



Sensys thin door hinge / Opening angle 110°

- ▶ For thin doors from 10 mm
- ▶ Drilling pattern TH 52 x 5.5 11
- ▶ Drilling pattern TB 45 x 9.5 20
- ▶ Installation 29



Sensys wide angle hinge / Opening angle 165°

- ▶ With zero protrusion
- ▶ Drilling pattern TH 52 x 5.5 12
- ▶ Drilling pattern TB 45 x 9.5 21
- ▶ Installation 30



Sensys angle hinge W30 / Opening angle 95°

- ▶ For 30° face angle applications
- ▶ Drilling pattern TH 52 x 5.5 13
- ▶ Drilling pattern TB 45 x 9.5 22
- ▶ Installation 31



Sensys angle hinge W45 / Opening angle 95°

- ▶ For face angle 45°
- ▶ Drilling pattern TH 52 x 5.5 14
- ▶ Drilling pattern TB 45 x 9.5 23
- ▶ Installation 32 - 33



Sensys angle hinge W90 / Opening angle 95°

- ▶ For 90° face angle applications
- ▶ Drilling pattern TH 52 x 5.5 15
- ▶ Drilling pattern TB 45 x 9.5 24
- ▶ Installation 34



Sensys aluminium frame hinge

- ▶ For aluminium framed doors
- ▶ Opening angle 95° 16
- ▶ Installation 35



Hinge for corner cabinet folding doors / Opening angle 50° / 65°

- ▶ For corner cabinets with folding doors
- ▶ Drilling pattern TH 52 x 5.5 17
- ▶ Drilling pattern TB 45 x 9.5 25
- ▶ Installation 36



Mounting plates

- ▶ For Sensys and Intermat

38 - 45



Accessories

- ▶ For Sensys

46 - 51



Technical information

76 - 79

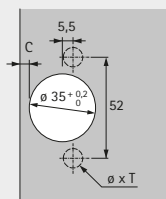
Fast assembly concealed hinge

- ▶ Sensys 110° hinge
- ▶ Opening angle 110°, drilling pattern TH 52 x 5.5 mm

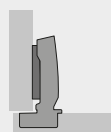


- ▶ Quality classification under EN 15570, Level 3
- ▶ For door thickness 15 - 24 mm
- ▶ Cup depth 12.8 mm
- ▶ Integrated overlay adjustment +2 mm / -2 mm
- ▶ Integrated depth adjustment +3 mm / -2 mm
- ▶ Height adjustment at mounting plate
- ▶ Steel nickel plated

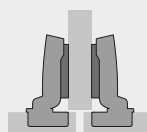
Drilling pattern



full overlay
(Base B 12.5 mm)



half overlay
(Base B 3 mm)



inset
(Base B -4 mm)



With integrated Silent System, with self closing feature (Sensys 8645i)

Cup assembly	Mounting hole ø x T mm	full overlay		half overlay		inset	
		50 ea.	200 ea.	50 ea.	200 ea.	50 ea.	200 ea.
For screwing on	-	9 073 605	9 071 205	9 073 606	9 071 206	9 073 607	9 071 207
For pressing in	ø 10 x 11	9 073 608	9 071 208	9 073 609	9 071 209	9 073 610	9 071 210
Flash fast assembly	ø 10 x 11	9 073 611	9 071 211	9 073 612		9 073 613	
Fix fast assembly	ø 10 x 6	9 073 614		9 073 615		9 073 616	
with expanding sockets	ø 10 x 11	9 073 686	9 073 567	9 073 687	9 073 568	9 073 688	

Without Silent System, with self closing feature (Sensys 8645)

Cup assembly	Mounting hole ø x T mm	full overlay		half overlay		inset	
		50 ea.	200 ea.	50 ea.	200 ea.	50 ea.	200 ea.
For screwing on	-	9 073 638	9 071 259	9 073 639		9 073 640	
For pressing in	ø 10 x 11	9 073 641	9 071 262	9 073 642		9 073 643	
Fix fast assembly	ø 10 x 6	9 073 644		9 073 645		9 073 646	
with expanding sockets	ø 10 x 11	9 073 695		9 073 696		9 073 697	

Without Silent System, without self closing feature, for handleless applications (Sensys 8675)

Cup assembly	Mounting hole ø x T mm	full overlay		half overlay		inset	
		50 ea.	200 ea.	50 ea.	200 ea.	50 ea.	200 ea.
For screwing on	-	9 073 662		9 073 663		9 073 664	
For pressing in	ø 10 x 11	9 073 665		9 073 666		9 073 667	
Fix fast assembly	ø 10 x 6	9 073 668		9 073 669		9 073 670	
with expanding sockets	ø 10 x 11	9 073 704		9 073 705		9 073 706	

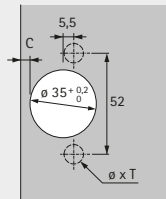
Fast assembly concealed hinge

- ▶ Sensys thick door hinge, door thickness up to 32 mm
- ▶ Opening angle 95°, drilling pattern TH 52 x 5.5 mm

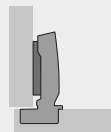


- ▶ Quality classification under EN 15570, Level 2
- ▶ For door thickness 15 - 32 mm
- ▶ Cup depth 12.8 mm
- ▶ Integrated overlay adjustment +2 mm / -2 mm
- ▶ Integrated depth adjustment +3 mm / -2 mm
- ▶ Height adjustment at mounting plate
- ▶ Steel nickel plated

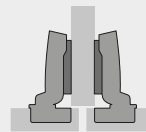
Drilling pattern



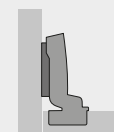
full overlay
(Base B 12.5 mm)



half overlay
(Base B 3 mm)



inset
(Base B -4 mm)



With integrated Silent System, with self closing feature (Sensys 8631i)

Cup assembly	Mounting hole ø x T mm	full overlay		half overlay		inset	
		50 ea.	200 ea.	50 ea.	200 ea.	50 ea.	200 ea.
For screwing on	-	9 091 400	9 090 260	9 091 410	9 090 270	9 091 420	9 090 280
For pressing in	ø 10 x 11	9 091 401	9 090 261	9 091 411		9 091 421	
Flash fast assembly	ø 10 x 11	9 091 402		9 091 412		9 091 422	
with expanding sockets	ø 10 x 11	9 091 406		9 091 416		9 091 426	

Without Silent System, with self closing feature (Sensys 8631)

Cup assembly	Mounting hole ø x T mm	full overlay		half overlay		inset	
		50 ea.	200 ea.	50 ea.	200 ea.	50 ea.	200 ea.
For screwing on	-	9 091 490		9 091 500		9 091 510	
For pressing in	ø 10 x 11	9 091 491		9 091 501		9 091 511	

Without Silent System, without self closing feature, for handleless applications (Sensys 8661)

Cup assembly	Mounting hole ø x T mm	full overlay		half overlay		inset	
		50 ea.	200 ea.	50 ea.	200 ea.	50 ea.	200 ea.
For screwing on	-	9 091 580		9 091 590		9 091 600	
For pressing in	ø 10 x 11	9 091 581		9 091 591		9 091 601	

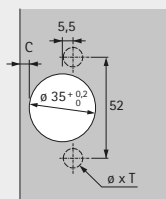
Fast assembly concealed hinge

- ▶ Sensys thin door hinge, door thickness from 10 mm
- ▶ Opening angle 110°, drilling pattern TH 52 x 5.5 mm

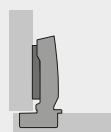


- ▶ Quality classification under EN 15570, Level 3
- ▶ For door thickness 10 - 19 mm
- ▶ Cup depth 7.8 mm
- ▶ Integrated overlay adjustment +2 mm / -2 mm
- ▶ Integrated depth adjustment +3 mm / -2 mm
- ▶ Height adjustment at mounting plate
- ▶ Steel nickel plated

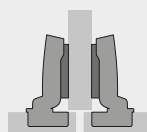
Drilling pattern



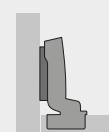
full overlay
(Base B 12.5 mm)



half overlay
(Base B 3 mm)



inset
(Base B -4 mm)



With integrated Silent System, with self closing feature (Sensys 8646i)

Cup assembly	Mounting hole ø x T mm	full overlay	half overlay	inset
		50 ea.	50 ea.	50 ea.
For screwing on	-	9 094 270	9 094 280	9 094 290
For pressing in	ø 10 x 8	9 094 271	9 094 281	9 094 291
with expanding sockets	ø 10 x 8	9 094 276	9 094 286	9 094 296

Without Silent System, with self closing feature (Sensys 8646)

Cup assembly	Mounting hole ø x T mm	full overlay	half overlay	inset
		50 ea.	50 ea.	50 ea.
For screwing on	-	9 094 360	9 094 370	9 094 380
For pressing in	ø 10 x 8	9 094 361	9 094 371	9 094 381
with expanding sockets	ø 10 x 8	9 094 366	9 094 376	9 094 386

Without Silent System, without self closing feature, for handleless applications (Sensys 8676)

Cup assembly	Mounting hole ø x T mm	full overlay	half overlay	inset
		50 ea.	50 ea.	50 ea.
For screwing on	-	9 094 450	9 094 460	9 094 470
For pressing in	ø 10 x 8	9 094 451	9 094 461	9 094 471
with expanding sockets	ø 10 x 8	9 094 456	9 094 466	9 094 476

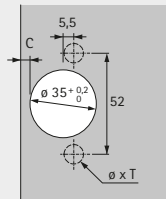
Fast assembly concealed hinge

- ▶ Sensys wide angle hinge, with zero protrusion
- ▶ Opening angle 165°, drilling pattern TH 52 x 5.5 mm



- ▶ Quality classification under EN 15570, Level 3
- ▶ For door thickness 15 - 32 mm
- ▶ Cup depth 11.6 mm
- ▶ Integrated overlay adjustment +2 mm / -2 mm
- ▶ Integrated depth adjustment +3 mm / -2 mm
- ▶ Height adjustment at mounting plate
- ▶ Steel/nickel plated die-cast zinc

Drilling pattern



full overlay
(Base B 12.5 mm)



half overlay
(Base B 3 mm)



With integrated Silent System, with self closing feature (Sensys 8657i)

Cup assembly	Mounting hole $\varnothing \times T$ mm	full overlay 50 ea.	half overlay 50 ea.
For screwing on	-	9 099 540	9 099 550
For pressing in	$\varnothing 10 \times 11$	9 099 541	9 099 551
Flash fast assembly	$\varnothing 10 \times 11$	9 099 542	
Fix fast assembly	$\varnothing 10 \times 6$	9 099 543	9 099 553
with expanding sockets	$\varnothing 10 \times 11$	9 099 546	9 099 556

Without Silent System, with self closing feature (Sensys 8657)

Cup assembly	Mounting hole $\varnothing \times T$ mm	full overlay 50 ea.	half overlay 50 ea.
For screwing on	-	9 099 600	9 099 610
For pressing in	$\varnothing 10 \times 11$	9 099 601	9 099 611
Fix fast assembly	$\varnothing 10 \times 6$	9 099 603	9 099 613
with expanding sockets	$\varnothing 10 \times 11$	9 099 606	

Without Silent System, without self closing feature, for handleless applications (Sensys 8687)

Cup assembly	Mounting hole $\varnothing \times T$ mm	full overlay 50 ea.	half overlay 50 ea.
For screwing on	-	9 099 660	9 099 670
For pressing in	$\varnothing 10 \times 11$	9 099 661	
Fix fast assembly	$\varnothing 10 \times 6$	9 099 663	9 099 673
with expanding sockets	$\varnothing 10 \times 11$	9 099 666	

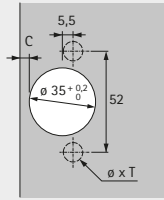
Fast assembly concealed hinge

- ▶ Sensys angle hinge W30
- ▶ Opening angle 95°, drilling pattern TH 52 x 5.5 mm



- ▶ Quality classification under EN 15570, Level 3
- ▶ For door thickness 15 - 28 mm
- ▶ Cup depth 12.8 mm
- ▶ Integrated overlay adjustment +2 mm / -2 mm
- ▶ Integrated depth adjustment +3 mm / -2 mm
- ▶ Height adjustment at mounting plate
- ▶ Steel/nickel plated die-cast zinc

Drilling pattern



overlay
(Base B 2 mm)



inset
(Base B -16 mm)



With integrated Silent System, with self closing feature (Sensys 8639i W30)

Cup assembly	Mounting hole $\varnothing x T$ mm	overlay	inset
		50 ea.	50 ea.
For screwing on	-	9 088 016	9 088 017
For pressing in	$\varnothing 10 x 11$	9 088 034	
Fix fast assembly	$\varnothing 10 x 6$	9 088 070	
with expanding sockets	$\varnothing 10 x 11$	9 088 082	

Without Silent System, with self closing feature (Sensys 8639 W30)

Cup assembly	Mounting hole $\varnothing x T$ mm	overlay	inset
		50 ea.	50 ea.
For screwing on	-	9 088 100	9 088 101
Fix fast assembly	$\varnothing 10 x 6$	9 088 136	

Without Silent System, without self closing feature, for handleless applications (Sensys 8669 W30)

Cup assembly	Mounting hole $\varnothing x T$ mm	overlay	inset
		50 ea.	50 ea.
For screwing on	-	9 088 176	9 088 177
Fix fast assembly	$\varnothing 10 x 6$	9 088 212	

Fast assembly concealed hinge

- ▶ Sensys angle hinge W45
- ▶ Opening angle 95°, drilling pattern TH 52 x 5.5 mm



- ▶ Quality classification under EN 15570, Level 3
- ▶ For door thickness 15 - 28 mm
- ▶ Cup depth 12.8 mm
- ▶ Integrated overlay adjustment +2 mm / -2 mm
- ▶ Integrated depth adjustment +3 mm / -2 mm
- ▶ Height adjustment at mounting plate
- ▶ Steel/nickel plated die-cast zinc

Drilling pattern	overlay (Base B 9 mm)	inset (Base B -2 mm)	(Base B -25 mm)

With integrated Silent System, with self closing feature (Sensys 8639i W45)

Cup assembly	Mounting hole ø x T mm	overlay		inset
		Base B 9 mm	Base B -2 mm	Base B -25 mm
For screwing on	-	50 ea.	50 ea.	50 ea.
		9 088 018	9 088 019	9 088 020
For pressing in	ø 10 x 11	9 088 036	9 088 037	
Fix fast assembly	ø 10 x 6	9 088 072	9 088 073	
with expanding sockets	ø 10 x 11	9 088 084	9 088 085	

Without Silent System, with self closing feature (Sensys 8639 W45)

Cup assembly	Mounting hole ø x T mm	overlay		inset
		Base B 9 mm	Base B -2 mm	Base B -25 mm
For screwing on	-	50 ea.	50 ea.	50 ea.
		9 088 102	9 088 103	9 088 104
Fix fast assembly	ø 10 x 6	9 088 138	9 088 139	

Without Silent System, without self closing feature, for handleless applications (Sensys 8669 W45)

Cup assembly	Mounting hole ø x T mm	overlay		inset
		Base B 9 mm	Base B -2 mm	Base B -25 mm
For screwing on	-	50 ea.	50 ea.	50 ea.
		9 088 178	9 088 179	9 088 180
Fix fast assembly	ø 10 x 6	9 088 214	9 088 215	

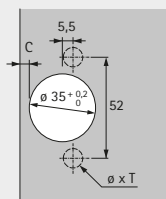
Fast assembly concealed hinge

- ▶ Sensys angle hinge W90
- ▶ Opening angle 95°, drilling pattern TH 52 x 5.5 mm



- ▶ Quality classification under EN 15570, Level 3
- ▶ For door thickness 15 - 28 mm
- ▶ Cup depth 12.8 mm
- ▶ Integrated adjustment of door offset +1 mm / -2 mm
- ▶ Integrated reveal adjustment +3 mm / -2 mm
- ▶ Height adjustment at mounting plate
- ▶ Steel nickel plated

Drilling pattern



inset
(Base B 4 mm)



With integrated Silent System, with self closing feature (Sensys 8639i W90)

Cup assembly	Mounting hole $\varnothing \times T$ mm	inset 50 ea.
For screwing on	-	9 088 021
For pressing in	$\varnothing 10 \times 11$	9 088 039
Flash fast assembly	$\varnothing 10 \times 11$	9 088 057
Fix fast assembly	$\varnothing 10 \times 6$	9 088 075
with expanding sockets	$\varnothing 10 \times 11$	9 088 087

Without Silent System, with self closing feature (Sensys 8639 W90)

Cup assembly	Mounting hole $\varnothing \times T$ mm	inset 50 ea.
For screwing on	-	9 088 105
For pressing in	$\varnothing 10 \times 11$	9 088 123
Fix fast assembly	$\varnothing 10 \times 6$	9 088 141
with expanding sockets	$\varnothing 10 \times 11$	9 088 159

Without Silent System, without self closing feature, for handleless applications (Sensys 8669 W90)

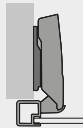
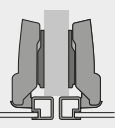

Cup assembly	Mounting hole $\varnothing \times T$ mm	inset 50 ea.
For screwing on	-	9 088 181
For pressing in	$\varnothing 10 \times 11$	9 088 199
Fix fast assembly	$\varnothing 10 \times 6$	9 088 217
with expanding sockets	$\varnothing 10 \times 11$	9 088 229

Fast assembly concealed hinge

- ▶ Sensys aluminium frame hinge
- ▶ Opening angle 95°



- ▶ Quality classification under EN 15570, Level 3
- ▶ For 19 mm wide aluminium profiles
- ▶ Integrated overlay adjustment +2 mm / -2 mm
- ▶ Integrated depth adjustment +3 mm / -2 mm
- ▶ Height adjustment at mounting plate
- ▶ Steel nickel plated
- ▶ Including 2 fixing screws

	full overlay (Base B 12.5 mm)	half overlay (Base B 3 mm)	inset (Base B -4 mm)
			

With integrated Silent System, with self closing feature (Sensys 8638i)

	Mounting hole ø x T mm	full overlay	half overlay	inset
Cup assembly		50 ea.	50 ea.	50 ea.
For screwing on	-	9 072 524	9 072 525	9 072 526

Without Silent System, with self closing feature (Sensys 8638)

	Mounting hole ø x T mm	full overlay	half overlay	inset
Cup assembly		50 ea.	50 ea.	50 ea.
For screwing on	-	9 072 527	9 072 528	9 072 529

Without Silent System, without self closing feature, for handleless applications (Sensys 8668)

	Mounting hole ø x T mm	full overlay	half overlay	inset
Cup assembly		50 ea.	50 ea.	50 ea.
For screwing on	-	9 072 530	9 072 531	9 072 532

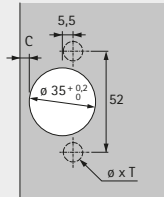
Fast assembly concealed hinge

- ▶ Hinge for corner cabinet folding doors
- ▶ Opening angle 50° / 65°, drilling pattern TH 52 x 5.5 mm

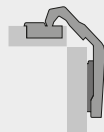


- ▶ Quality classification under EN 15570, Level 2
- ▶ For door thickness 15 - 21 mm
- ▶ Cup depth 12.8 mm
- ▶ Diagonal adjustment +9.5 mm / -9.5 mm
- ▶ Integrated overlay adjustment, see diagram
- ▶ For integrated depth adjustment, see diagram
- ▶ Height adjustment at mounting plate
- ▶ Steel/nickel plated die-cast zinc

Drilling pattern



overlay
(Base B 24 mm)



Without self closing feature (Intermat 9930)

Cup assembly	Mounting hole ø x T mm	overlay 50 ea.
For screwing on	-	9 090 109
For pressing in	ø 10 x 11	9 090 110
Flash fast assembly	ø 10 x 11	9 090 111
Fix fast assembly	ø 10 x 6	9 090 113
with expanding sockets	ø 10 x 11	9 090 107

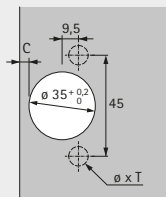
Fast assembly concealed hinge

- ▶ Sensys 110° hinge
- ▶ Opening angle 110°, drilling pattern TB 45 x 9.5 mm

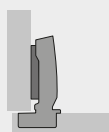


- ▶ Quality classification under EN 15570, Level 3
- ▶ For door thickness 15 - 24 mm
- ▶ Cup depth 12.8 mm
- ▶ Integrated overlay adjustment +2 mm / -2 mm
- ▶ Integrated depth adjustment +3 mm / -2 mm
- ▶ Height adjustment at mounting plate
- ▶ Steel nickel plated

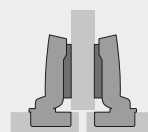
Drilling pattern



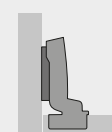
full overlay
(Base B 12.5 mm)



half overlay
(Base B 3 mm)



inset
(Base B -4 mm)



With integrated Silent System, with self closing feature (Sensys 8645i)

Cup assembly	Mounting hole ø x T mm	full overlay		half overlay		inset	
		50 ea.	200 ea.	50 ea.	200 ea.	50 ea.	200 ea.
For screwing on	-	9 073 617	9 071 223	9 073 618		9 073 619	
For pressing in	ø 8 x 11	9 073 620	9 071 226	9 073 621		9 073 622	
Fix fast assembly	ø 8 x 6	9 073 626		9 073 627		9 073 628	
with expanding sockets	ø 8 x 11	9 073 689	9 073 570	9 073 690		9 073 691	

Without Silent System, with self closing feature (Sensys 8645)

Cup assembly	Mounting hole ø x T mm	full overlay		half overlay		inset	
		50 ea.	200 ea.	50 ea.	200 ea.	50 ea.	200 ea.
For screwing on	-	9 073 647		9 073 648		9 073 649	
For pressing in	ø 8 x 11	9 073 650		9 073 651		9 073 652	
Fix fast assembly	ø 8 x 6	9 073 653		9 073 654		9 073 655	

Without Silent System, without self closing feature, for handleless applications (Sensys 8675)

Cup assembly	Mounting hole ø x T mm	full overlay		half overlay		inset	
		50 ea.	200 ea.	50 ea.	200 ea.	50 ea.	200 ea.
For screwing on	-	9 073 671		9 073 672		9 073 673	
For pressing in	ø 8 x 11	9 073 674		9 073 675		9 073 676	
Fix fast assembly	ø 8 x 6	9 073 677		9 073 678		9 073 679	

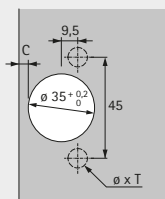
Fast assembly concealed hinge

- ▶ Sensys thick door hinge, door thickness up to 32 mm
- ▶ Opening angle 95°, drilling pattern TB 45 x 9.5 mm

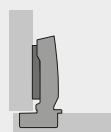


- ▶ Quality classification under EN 15570, Level 2
- ▶ For door thickness 15 - 32 mm
- ▶ Cup depth 12.8 mm
- ▶ Integrated overlay adjustment +2 mm / -2 mm
- ▶ Integrated depth adjustment +3 mm / -2 mm
- ▶ Height adjustment at mounting plate
- ▶ Steel nickel plated

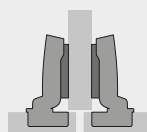
Drilling pattern



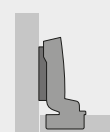
full overlay
(Base B 12.5 mm)



half overlay
(Base B 3 mm)



inset
(Base B -4 mm)



With integrated Silent System, with self closing feature (Sensys 8631i)

Cup assembly	Mounting hole ø x T mm	full overlay		half overlay		inset	
		50 ea.	200 ea.	50 ea.	200 ea.	50 ea.	200 ea.
For screwing on	-	9 091 430	9 090 290	9 091 440	9 090 300	9 091 450	9 090 310
For pressing in	ø 8 x 11	9 091 431	9 090 291	9 091 441		9 091 451	
with expanding sockets	ø 8 x 11	9 091 436		9 091 446		9 091 456	

Without Silent System, with self closing feature (Sensys 8631)

Cup assembly	Mounting hole ø x T mm	full overlay		half overlay		inset	
		50 ea.	200 ea.	50 ea.	200 ea.	50 ea.	200 ea.
For screwing on	-	9 091 520		9 091 530		9 091 540	
For pressing in	ø 8 x 11	9 091 521		9 091 531		9 091 541	

Without Silent System, without self closing feature, for handleless applications (Sensys 8661)

Cup assembly	Mounting hole ø x T mm	full overlay		half overlay		inset	
		50 ea.	200 ea.	50 ea.	200 ea.	50 ea.	200 ea.
For screwing on	-	9 091 610		9 091 620		9 091 630	
For pressing in	ø 8 x 11	9 091 611		9 091 621		9 091 631	

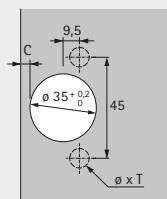
Fast assembly concealed hinge

- ▶ Sensys thin door hinge, door thickness from 10 mm
- ▶ Opening angle 110°, drilling pattern TB 45 x 9.5 mm

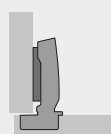


- ▶ Quality classification under EN 15570, Level 3
- ▶ For door thickness 10 - 19 mm
- ▶ Cup depth 7.8 mm
- ▶ Integrated overlay adjustment +2 mm / -2 mm
- ▶ Integrated depth adjustment +3 mm / -2 mm
- ▶ Height adjustment at mounting plate
- ▶ Steel nickel plated

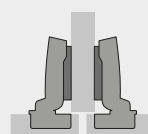
Drilling pattern



full overlay
(Base B 12.5 mm)



half overlay
(Base B 3 mm)



inset
(Base B -4 mm)



With integrated Silent System, with self closing feature (Sensys 8646i)

Cup assembly	Mounting hole $\varnothing \times T$ mm	full overlay	half overlay	inset
		50 ea.	50 ea.	50 ea.
For screwing on	-	9 094 300	9 094 310	9 094 320
For pressing in	$\varnothing 8 \times 8$	9 094 301	9 094 311	9 094 321
with expanding sockets	$\varnothing 8 \times 8$	9 094 306	9 094 316	9 094 326

Without Silent System, with self closing feature (Sensys 8646)

Cup assembly	Mounting hole $\varnothing \times T$ mm	full overlay	half overlay	inset
		50 ea.	50 ea.	50 ea.
For screwing on	-	9 094 390	9 094 400	9 094 410
For pressing in	$\varnothing 8 \times 8$	9 094 391	9 094 401	9 094 411
with expanding sockets	$\varnothing 8 \times 8$	9 094 396	9 094 406	9 094 416

Without Silent System, without self closing feature, for handleless applications (Sensys 8676)

Cup assembly	Mounting hole $\varnothing \times T$ mm	full overlay	half overlay	inset
		50 ea.	50 ea.	50 ea.
For screwing on	-	9 094 480	9 094 490	9 094 500
For pressing in	$\varnothing 8 \times 8$	9 094 481	9 094 491	9 094 501
with expanding sockets	$\varnothing 8 \times 8$	9 094 486	9 094 496	9 094 506

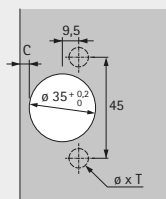
Fast assembly concealed hinge

- ▶ Sensys wide angle hinge, with zero protrusion
- ▶ Opening angle 165°, drilling pattern TB 45 x 9.5 mm



- ▶ Quality classification under EN 15570, Level 3
- ▶ For door thickness 15 - 32 mm
- ▶ Cup depth 11.6 mm
- ▶ Integrated overlay adjustment +2 mm / -2 mm
- ▶ Integrated depth adjustment +3 mm / -2 mm
- ▶ Height adjustment at mounting plate
- ▶ Steel/nickel plated die-cast zinc

Drilling pattern



full overlay
(Base B 12.5 mm)



half overlay
(Base B 3 mm)



With integrated Silent System, with self closing feature (Sensys 8657i)

Cup assembly	Mounting hole $\varnothing \times T$ mm	full overlay	half overlay
		50 ea.	50 ea.
For screwing on	-	9 099 560	9 099 570
For pressing in	$\varnothing 8 \times 11$	9 099 561	9 099 571
Fix fast assembly	$\varnothing 8 \times 6$	9 099 563	9 099 573
with expanding sockets	$\varnothing 8 \times 11$	9 099 566	9 099 576

Without Silent System, with self closing feature (Sensys 8657)

Cup assembly	Mounting hole $\varnothing \times T$ mm	full overlay	half overlay
		50 ea.	50 ea.
For screwing on	-	9 099 620	
For pressing in	$\varnothing 8 \times 11$	9 099 621	
Fix fast assembly	$\varnothing 8 \times 6$	9 099 623	9 099 633
with expanding sockets	$\varnothing 8 \times 11$	9 099 626	

Without Silent System, without self closing feature, for handleless applications (Sensys 8687)

Cup assembly	Mounting hole $\varnothing \times T$ mm	full overlay	half overlay
		50 ea.	50 ea.
For screwing on	-	9 099 680	
Fix fast assembly	$\varnothing 8 \times 6$	9 099 683	9 099 693

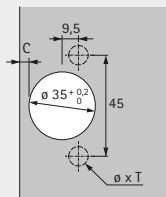
Fast assembly concealed hinge

- ▶ Sensys angle hinge W30
- ▶ Opening angle 95°, drilling pattern TB 45 x 9.5 mm



- ▶ Quality classification under EN 15570, Level 3
- ▶ For door thickness 15 - 28 mm
- ▶ Cup depth 12.8 mm
- ▶ Integrated overlay adjustment +2 mm / -2 mm
- ▶ Integrated depth adjustment +3 mm / -2 mm
- ▶ Height adjustment at mounting plate
- ▶ Steel/nickel plated die-cast zinc

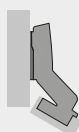
Drilling pattern



overlay
(Base B 2 mm)



inset
(Base B -16 mm)



With integrated Silent System, with self closing feature (Sensys 8639i W30)

Cup assembly	Mounting hole ø x T mm	overlay	inset
		50 ea.	50 ea.
For screwing on	-	9 088 022	9 088 023
For pressing in	ø 8 x 11	9 088 040	
Fix fast assembly	ø 8 x 6	9 088 076	

Without Silent System, with self closing feature (Sensys 8639 W30)

Cup assembly	Mounting hole ø x T mm	overlay
		50 ea.
Fix fast assembly	ø 8 x 6	9 088 142

Without Silent System, without self closing feature, for handleless applications (Sensys 8669 W30)

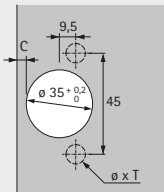



Cup assembly	Mounting hole ø x T mm	overlay
		50 ea.
Fix fast assembly	ø 8 x 6	9 088 218

Fast assembly concealed hinge

- ▶ Sensys angle hinge W45
- ▶ Opening angle 95°, drilling pattern TB 45 x 9.5 mm



- ▶ Quality classification under EN 15570, Level 3
- ▶ For door thickness 15 - 28 mm
- ▶ Cup depth 12.8 mm
- ▶ Integrated overlay adjustment +2 mm / -2 mm
- ▶ Integrated depth adjustment +3 mm / -2 mm
- ▶ Height adjustment at mounting plate
- ▶ Steel/nickel plated die-cast zinc

Drilling pattern		overlay (Base B 9 mm)	inset (Base B -2 mm)	(Base B -25 mm)
				

With integrated Silent System, with self closing feature (Sensys 8639i W45)

Cup assembly	Mounting hole $\varnothing \times T$ mm	overlay		inset
		Base B 9 mm	Base B -2 mm	Base B -25 mm
		50 ea.	50 ea.	50 ea.
For screwing on	-	9 088 024	9 088 025	9 088 026
For pressing in	$\varnothing 8 \times 11$	9 088 042	9 088 043	
Fix fast assembly	$\varnothing 8 \times 6$	9 088 078	9 088 079	

Without Silent System, with self closing feature (Sensys 8639 W45)

Cup assembly	Mounting hole $\varnothing \times T$ mm	overlay	
		Base B 9 mm	Base B -2 mm
		50 ea.	50 ea.
Fix fast assembly	$\varnothing 8 \times 6$	9 088 144	9 088 145

Without Silent System, without self closing feature, for handleless applications (Sensys 8669 W45)

Cup assembly	Mounting hole $\varnothing \times T$ mm	overlay	
		Base B 9 mm	Base B -2 mm
		50 ea.	50 ea.
Fix fast assembly	$\varnothing 8 \times 6$	9 088 220	9 088 221

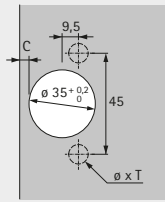
Fast assembly concealed hinge

- ▶ Sensys angle hinge W90
- ▶ Opening angle 95°, drilling pattern TB 45 x 9.5 mm



- ▶ Quality classification under EN 15570, Level 3
- ▶ For door thickness 15 - 28 mm
- ▶ Cup depth 12.8 mm
- ▶ Integrated adjustment of door offset +1 mm / -2 mm
- ▶ Integrated reveal adjustment +3 mm / -2 mm
- ▶ Height adjustment at mounting plate
- ▶ Steel nickel plated

Drilling pattern



inset
(Base B 4 mm)



With integrated Silent System, with self closing feature (Sensys 8639i W90)

Cup assembly	Mounting hole ø x T mm	inset 50 ea.
For screwing on	-	9 088 027
For pressing in	ø 8 x 11	9 088 045
Fix fast assembly	ø 8 x 6	9 088 081
with expanding sockets	ø 8 x 11	9 088 093

Without Silent System, with self closing feature (Sensys 8639 W90)

Cup assembly	Mounting hole ø x T mm	inset 50 ea.
Fix fast assembly	ø 8 x 6	9 088 147

Without Silent System, without self closing feature, for handleless applications (Sensys 8669 W90)

Cup assembly	Mounting hole ø x T mm	inset 50 ea.
Fix fast assembly	ø 8 x 6	9 088 223

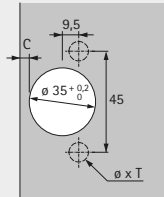
Fast assembly concealed hinge

- ▶ Hinge for corner cabinet folding doors
- ▶ Opening angle 50° / 65°, drilling pattern TB 45 x 9.5 mm

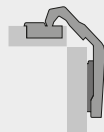


- ▶ Quality classification under EN 15570, Level 2
- ▶ For door thickness 15 - 21 mm
- ▶ Cup depth 12.8 mm
- ▶ Diagonal adjustment +9.5 mm / -9.5 mm
- ▶ Integrated overlay adjustment, see diagram
- ▶ For integrated depth adjustment, see diagram
- ▶ Height adjustment at mounting plate
- ▶ Steel/nickel plated die-cast zinc

Drilling pattern



overlay
(Base B 24 mm)



Without self closing feature (Intermat 9930)

Cup assembly	Mounting hole ø x T mm	overlay 50 ea.
For screwing on	-	9 090 115
For pressing in	ø 8 x 11	9 090 116
Fix fast assembly	ø 8 x 6	9 090 119
with expanding sockets	ø 8 x 11	9 090 108

Fast assembly concealed hinge

- ▶ Sensys 110° hinge
- ▶ Opening angle 110°

Minimum reveal per door

Door thickness mm	Cup distance C mm					
	3.0	4.0	4.5	5.0	6.0	7.0
15	0.2	0.2	0.2	0.2	0.2	0.2
16	0.3	0.3	0.3	0.3	0.3	0.3
17	0.4	0.4	0.4	0.4	0.4	0.4
18	0.6	0.6	0.6	0.6	0.6	0.5
19	0.8	0.8	0.8	0.8	0.7	0.7
20	1.1	1.0	1.0	1.0	1.0	0.9
21	1.4	1.3	1.3	1.3	1.2	1.2
22	2.2	1.8	1.7	1.6	1.6	1.5
23	3.0	2.6	2.4	2.2	2.0	1.9
24	3.9	3.4	3.2	3.0	2.6	2.4

Please note:

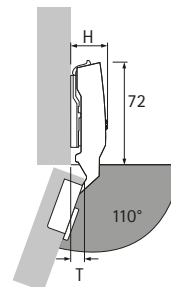
The table entries refer to doors with an edge radius of 1 mm.

On doors with other radii, the minimum reveal changes as follows:

Radius 0 mm:
Values shown in table + 0.4 mm

Radius 3 mm:
Values shown in table - 0.6 mm

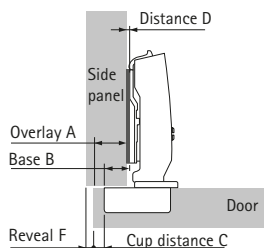
Protrusions / installed depth



Hinge protrusion H / door protrusion T for distance D = 0 mm and cup distance C = 3 mm

Door mounting option	H mm	T mm
full overlay	25.0	8.5
half overlay	31.0	18.0
inset	38.0	25.0

full overlay

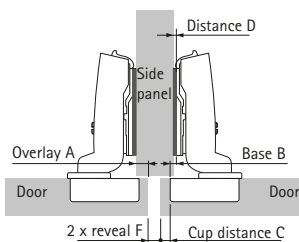


$$\text{Distance D} = \text{C} + \text{B} - \text{A}$$

$$= \text{cup distance C} + 12.5 \text{ mm} - \text{overlay A}$$

Overlay mm	Cup distance C mm					
	3.0	4.0	4.5	5.0	6.0	7.0
	Distance D mm					
10	5.5	6.5	7.0	7.5	8.5	9.5
11	4.5	5.5	6.0	6.5	7.5	8.5
12	3.5	4.5	5.0	5.5	6.5	7.5
13	2.5	3.5	4.0	4.5	5.5	6.5
14	1.5	2.5	3.0	3.5	4.5	5.5
15	0.5	1.5	2.0	2.5	3.5	4.5
16		0.5	1.0	1.5	2.5	3.5
17			0.0	0.5	1.5	2.5
18					0.5	1.5
19						0.5

half overlay

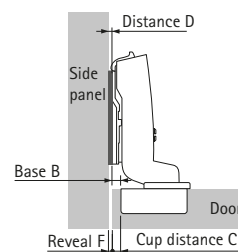


$$\text{Distance D} = \text{C} + \text{B} - \text{A}$$

$$= \text{cup distance C} + 3 \text{ mm} - \text{overlay A}$$

Overlay mm	Cup distance C mm					
	3.0	4.0	4.5	5.0	6.0	7.0
	Distance D mm					
0.5	5.5	6.5	7.0	7.5	8.5	9.5
1.5	4.5	5.5	6.0	6.5	7.5	8.5
2.5	3.5	4.5	5.0	5.5	6.5	7.5
3.5	2.5	3.5	4.0	4.5	5.5	6.5
4.5	1.5	2.5	3.0	3.5	4.5	5.5
5.5	0.5	1.5	2.0	2.5	3.5	4.5
6.5		0.5	1.0	1.5	2.5	3.5
7.5			0.0	0.5	1.5	2.5
8.5					0.5	1.5
9.5						0.5

inset



$$\text{Distance D} = \text{C} + \text{B} + \text{F}$$

$$= \text{cup distance C} - 4 \text{ mm} + \text{reveal F}$$

Door thickness mm	Cup distance C mm					
	3.0	4.0	4.5	5.0	6.0	7.0
	Distance D mm					
15	0.2	0.7	1.2	2.2	3.2	
16	0.3	0.8	1.3	2.3	3.3	
17	0.4	0.9	1.4	2.4	3.4	
18	0.6	1.1	1.6	2.6	3.5	
19	0.8	1.3	1.8	2.7	3.7	
20	0.1	1.0	1.5	2.0	3.0	3.9
21	0.4	1.3	1.8	2.3	3.2	4.2
22	1.2	1.8	2.2	2.6	3.6	4.5
23	2.0	2.6	2.9	3.2	4.0	4.9
24	2.9	3.4	3.7	4.0	4.6	5.4

Advice

- ▶ Mounting plates 38 - 45
- ▶ Accessories 46 - 51
- ▶ Technical information 76 - 78



hettich.com/short/2b9840

Fast assembly concealed hinge

- ▶ Sensys thick door hinge, door thickness up to 32 mm
- ▶ Opening angle 95°

Minimum reveal per door

Door thickness mm	Cup distance C mm						
	3.0	4.0	4.5	5.0	6.0	7.0	8.0
15	0.1	0.1	0.1	0.1	0.1	0.1	0.1
16	0.1	0.1	0.1	0.1	0.1	0.1	0.1
17	0.2	0.2	0.2	0.2	0.2	0.2	0.2
18	0.2	0.2	0.2	0.2	0.2	0.2	0.2
19	0.3	0.3	0.3	0.3	0.3	0.3	0.3
20	0.4	0.4	0.4	0.4	0.4	0.4	0.4
21	0.6	0.6	0.6	0.6	0.6	0.6	0.6
22	0.7	0.7	0.7	0.7	0.7	0.7	0.7
23	0.9	0.9	0.9	0.9	0.9	0.9	0.9
24	1.1	1.0	1.0	1.0	1.0	1.0	1.0
25	1.3	1.2	1.2	1.2	1.2	1.2	1.2
26	1.5	1.5	1.4	1.4	1.4	1.4	1.4
27	1.7	1.7	1.7	1.7	1.6	1.6	1.6
28	2.0	2.0	1.9	1.9	1.9	1.8	1.8
29	2.9	2.3	2.2	2.2	2.2	2.1	2.1
30	3.8	3.2	3.0	2.7	2.5	2.4	2.4
31	4.8	4.1	3.8	3.6	3.1	2.7	2.7
32	5.7	5.1	4.8	4.5	3.9	3.4	3.0

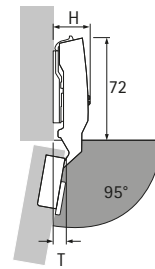
Please note:

The table entries refer to doors with an edge radius of 1 mm.

On doors with other radii, the minimum reveal changes as follows:

Radius 0 mm:
Values shown in table + 0.4 mm

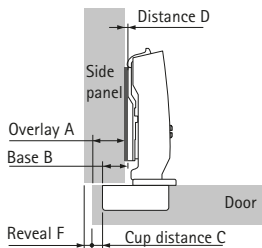
Protrusions / installed depth



Hinge protrusion H / door protrusion T for distance D = 0 mm and cup distance C = 3 mm

Door mounting option	H mm	T mm
full overlay	24.0	12.5
half overlay	28.3	22.0
inset	35.3	29.0

full overlay

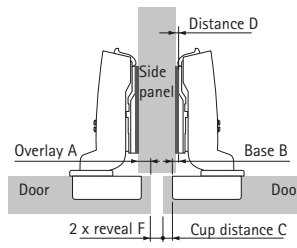


$$\text{Distance D} = \text{C} + \text{B} - \text{A}$$

= cup distance C + 12.5 mm - overlay A

Overlay mm	Cup distance C mm						
	3.0	4.0	4.5	5.0	6.0	7.0	8.0
Distance D mm							
10	5.5	6.5	7.0	7.5	8.5	9.5	10.5
11	4.5	5.5	6.0	6.5	7.5	8.5	9.5
12	3.5	4.5	5.0	5.5	6.5	7.5	8.5
13	2.5	3.5	4.0	4.5	5.5	6.5	7.5
14	1.5	2.5	3.0	3.5	4.5	5.5	6.5
15	0.5	1.5	2.0	2.5	3.5	4.5	5.5
16		0.5	1.0	1.5	2.5	3.5	4.5
17			0.0	0.5	1.5	2.5	3.5
18					0.5	1.5	2.5
19						0.5	1.5
20							0.5

half overlay

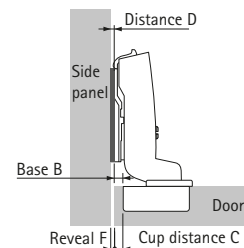


$$\text{Distance D} = \text{C} + \text{B} - \text{A}$$

= cup distance C + 3 mm - overlay A

Overlay mm	Cup distance C mm						
	3.0	4.0	4.5	5.0	6.0	7.0	8.0
Distance D mm							
0.5	5.5	6.5	7.0	7.5	8.5	9.5	10.5
1.5	4.5	5.5	6.0	6.5	7.5	8.5	9.5
2.5	3.5	4.5	5.0	5.5	6.5	7.5	8.5
3.5	2.5	3.5	4.0	4.5	5.5	6.5	7.5
4.5	1.5	2.5	3.0	3.5	4.5	5.5	6.5
5.5	0.5	1.5	2.0	2.5	3.5	4.5	5.5
6.5		0.5	1.0	1.5	2.5	3.5	4.5
7.5			0.0	0.5	1.5	2.5	3.5
8.5					0.5	1.5	2.5
9.5						0.5	1.5
10.5							0.5

inset



$$\text{Distance D} = \text{C} + \text{B} + \text{F}$$

= cup distance C - 4 mm + reveal F

Door thickness mm	Cup distance C mm						
	3.0	4.0	4.5	5.0	6.0	7.0	8.0
Distance D mm							
15	0.1	0.6	1.1	2.1	3.1	4.1	
16	0.1	0.6	1.1	2.1	3.1	4.1	
17	0.2	0.7	1.2	2.2	3.2	4.2	
18	0.2	0.7	1.2	2.2	3.2	4.2	
19	0.3	0.8	1.3	2.3	3.3	4.3	
20	0.4	0.9	1.4	2.4	3.4	4.4	
21	0.6	1.1	1.6	2.6	3.6	4.6	
22	0.7	1.2	1.7	2.7	3.7	4.7	
23	0.9	1.4	1.9	2.9	3.9	4.9	
24	0.1	1.0	1.5	2.0	3.0	4.0	5.0
25	0.3	1.2	1.7	2.2	3.2	4.2	5.2
26	0.5	1.5	1.9	2.4	3.4	4.4	5.4
27	0.7	1.7	2.2	2.7	3.6	4.6	5.6
28	1.0	2.0	2.4	2.9	3.9	4.8	5.8
29	1.9	2.3	2.7	3.2	4.2	5.1	6.1
30	2.8	3.2	3.5	3.7	4.5	5.4	6.4
31	3.8	4.1	4.3	4.6	5.1	5.7	6.7
32	4.7	5.1	5.3	5.5	5.9	6.4	7.0

Advice

- ▶ Mounting plates 38 - 45
- ▶ Accessories 46 - 51
- ▶ Technical information 76 - 78



hettich.com/short/b53a1b

Fast assembly concealed hinge

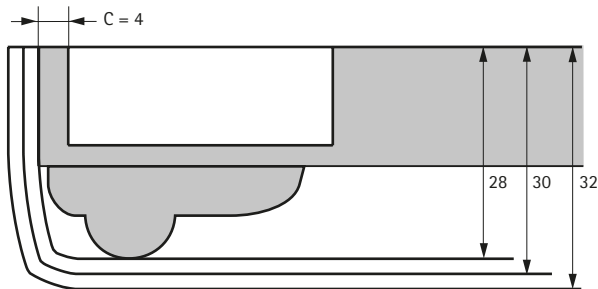
- ▶ Sensys thick door hinge, door thickness up to 32 mm
- ▶ Opening angle 95°

Door contours for minimum reveal application - scale 1:1

The values shown in the Minimum reveal table refer to an edge radius of 1 mm. Smaller reveal values apply if door edges are more rounded.
To obtain a minimum reveal application, the chosen door contour must lie within the template illustrated below. All contours protruding beyond the template will increase the reveal accordingly.

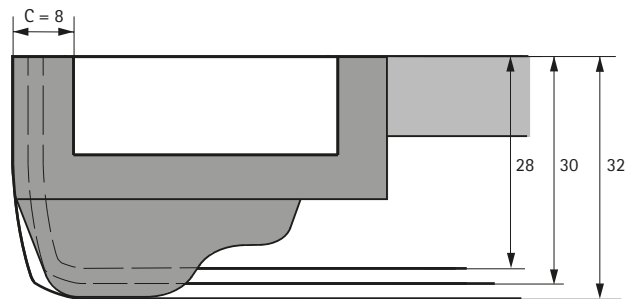


Example of minimum reveal application



Example of minimum reveal application

Door thickness	16 mm
Profile thickness	12 mm
Overall thickness	28 mm
Cup distance C	4 mm



Example of minimum reveal application

Door thickness	19 mm
Profile thickness	13 mm
Overall thickness	32 mm
Cup distance C	8 mm

Fast assembly concealed hinge

- ▶ Sensys thin door hinge, door thickness from 10 mm
- ▶ Opening angle 110°

Minimum reveal per door

Door thickness mm	Cup distance C mm					
	3.0	4.0	4.5	5.0	6.0	7.0
10	0.1	0.1	0.1	0.1	0.1	0.1
11	0.2	0.2	0.2	0.2	0.2	0.2
12	0.4	0.4	0.4	0.4	0.4	0.4
13	0.6	0.6	0.5	0.5	0.5	0.5
14	0.8	0.8	0.7	0.7	0.7	0.7
15	1.0	1.0	1.0	1.0	0.9	0.9
16	1.3	1.3	1.3	1.2	1.2	1.2
17	1.4	1.5	1.5	1.6	1.6	1.7
18	1.8	1.8	1.9	1.9	2.0	2.0
19	2.1	2.2	2.3	2.3	2.3	2.4

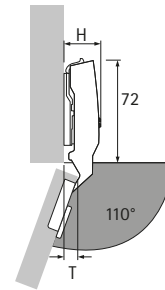
Please note:

The table entries refer to doors with an edge radius of 1 mm.

On doors with other radii, the minimum reveal changes as follows:

Radius 0 mm:
Values shown in table + 0.3 mm

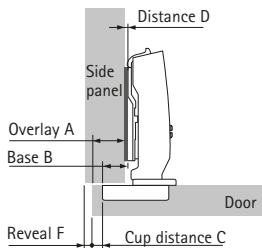
Protrusions / installed depth



Hinge protrusion H / door protrusion T for distance D = 0 mm and cup distance C = 3 mm

Door mounting option	H mm	T mm
full overlay	25.0	8.5
half overlay	31.0	18.0
inset	38.0	25.0

full overlay

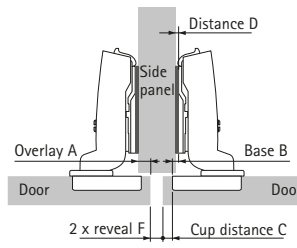


$$\text{Distance D} = \text{C} + \text{B} - \text{A}$$

$$= \text{cup distance C} + 12.5 \text{ mm} - \text{overlay A}$$

Overlay mm	Cup distance C mm					
	3.0	4.0	4.5	5.0	6.0	7.0
Distance D mm						
10	5.5	6.5	7.0	7.5	8.5	9.5
11	4.5	5.5	6.0	6.5	7.5	8.5
12	3.5	4.5	5.0	5.5	6.5	7.5
13	2.5	3.5	4.0	4.5	5.5	6.5
14	1.5	2.5	3.0	3.5	4.5	5.5
15	0.5	1.5	2.0	2.5	3.5	4.5
16		0.5	1.0	1.5	2.5	3.5
17			0.0	0.5	1.5	2.5
18					0.5	1.5
19						0.5

half overlay

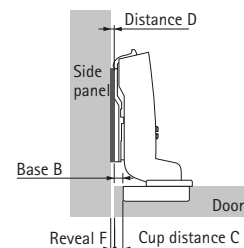


$$\text{Distance D} = \text{C} + \text{B} - \text{A}$$

$$= \text{cup distance C} + 3 \text{ mm} - \text{overlay A}$$

Overlay mm	Cup distance C mm					
	3.0	4.0	4.5	5.0	6.0	7.0
Distance D mm						
0.5	5.5	6.5	7.0	7.5	8.5	9.5
1.5	4.5	5.5	6.0	6.5	7.5	8.5
2.5	3.5	4.5	5.0	5.5	6.5	7.5
3.5	2.5	3.5	4.0	4.5	5.5	6.5
4.5	1.5	2.5	3.0	3.5	4.5	5.5
5.5	0.5	1.5	2.0	2.5	3.5	4.5
6.5		0.5	1.0	1.5	2.5	3.5
7.5			0.0	0.5	1.5	2.5
8.5					0.5	1.5
9.5						0.5

inset



$$\text{Distance D} = \text{C} + \text{B} + \text{F}$$

$$= \text{cup distance C} - 4 \text{ mm} + \text{reveal F}$$

Door thickness mm	Cup distance C mm					
	3.0	4.0	4.5	5.0	6.0	7.0
Distance D mm						
10	0.1	0.6	1.1	2.1	3.1	
11	0.2	0.7	1.2	2.2	3.2	
12	0.4	0.9	1.4	2.4	3.3	
13	0.6	1.0	1.5	2.5	3.5	
14	0.8	1.2	1.7	2.7	3.7	
15	0.0	1.0	1.5	2.0	2.9	3.9
16	0.3	1.3	1.8	2.2	3.2	4.2
17	0.4	1.5	2.0	2.6	3.6	4.7
18	0.8	1.8	2.4	2.9	4.0	5.0
19	1.1	2.2	2.7	3.3	4.3	5.4

Advice

- ▶ Mounting plates 38 - 45
- ▶ Accessories 46 - 51
- ▶ Technical information 76 - 78

- ▶ Fitting information for thin materials 78



hettich.com/short/5480ec

Fast assembly concealed hinge

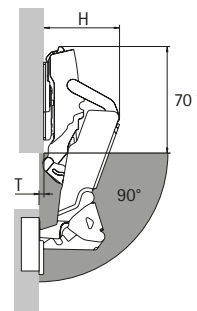
- ▶ Sensys wide angle hinge, with zero protrusion
- ▶ Opening angle 165°

Minimum reveal per door

Door thickness mm	Cup distance C mm					
	3.0	4.0	4.5	5.0	6.0	7.0
15	0.0	0.0	0.0	0.0	0.0	0.0
16	0.0	0.0	0.0	0.0	0.0	0.0
17	0.0	0.0	0.0	0.0	0.0	0.0
18	0.0	0.0	0.0	0.0	0.0	0.0
19	0.0	0.0	0.0	0.0	0.0	0.0
20	0.0	0.0	0.0	0.0	0.0	0.0
21	0.0	0.0	0.0	0.0	0.0	0.0
22	0.0	0.0	0.0	0.0	0.0	0.0
23	0.0	0.0	0.0	0.0	0.0	0.0
24	0.0	0.0	0.0	0.0	0.0	0.0
25	0.0	0.0	0.0	0.0	0.0	0.0
26	0.1	0.1	0.1	0.1	0.1	0.1
27	0.1	0.1	0.1	0.1	0.1	0.1
28	0.2	0.2	0.2	0.2	0.2	0.3
29*	0.4	0.4	0.4	0.4	0.5	0.6
30**	0.7	0.7	0.8	0.8	1.0	1.1
31**	1.1	1.2	1.3	1.4	1.6	
32**	1.7	1.9	2.0	2.2		

*when using opening angle limiter at 120°
 ** when using opening angle limiter at 105°

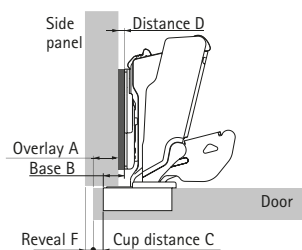
Protrusions / installed depth



No door protrusion T up to distance D = 3, unobstructed interior for pull-outs.
 *Hinge closed: 80 mm

Door mounting option	H mm (max. at 30°)	T mm (90°, D0)
full overlay	66	-3
half overlay	75.5	6.5

full overlay

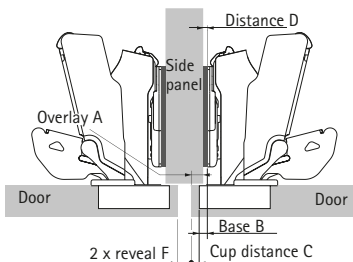


$$\text{Distance D} = \text{C} + \text{B} - \text{A}$$

$$= \text{cup distance C} + 12.5 \text{ mm} - \text{overlay A}$$

Overlay mm	Cup distance C mm					
	3.0	4.0	4.5	5.0	6.0	7.0
Distance D mm						
10	5.5	6.5	7.0	7.5	8.5	9.5
11	4.5	5.5	6.0	6.5	7.5	8.5
12	3.5	4.5	5.0	5.5	6.5	7.5
13	2.5	3.5	4.0	4.5	5.5	6.5
14	1.5	2.5	3.0	3.5	4.5	5.5
15	0.5	1.5	2.0	2.5	3.5	4.5
16		0.5	1.0	1.5	2.5	3.5
17			0.0	0.5	1.5	2.5
18					0.5	1.5
19						0.5

half overlay



$$\text{Distance D} = \text{C} + \text{B} - \text{A}$$

$$= \text{cup distance C} + 3 \text{ mm} - \text{overlay A}$$

Overlay mm	Cup distance C mm					
	3.0	4.0	4.5	5.0	6.0	7.0
Distance D mm						
- 2	8.0	9.0	9.5	10.0	11.0	12.0
- 1	7.0	8.0	8.5	9.0	10.0	11.0
0	6.0	7.0	7.5	8.0	9.0	10.0
1	5.0	6.0	6.5	7.0	8.0	9.0
2	4.0	5.0	5.5	6.0	7.0	8.0
3	3.0	4.0	4.5	5.0	6.0	7.0
4	2.0	3.0	3.5	4.0	5.0	6.0
5	1.0	2.0	2.5	3.0	4.0	5.0
6	0.0	1.0	1.5	2.0	3.0	4.0
7		0.0	0.5	1.0	2.0	3.0
8				0.0	1.0	2.0
9					0.0	1.0
10						0.0

Advice

- ▶ Mounting plates 38 - 45
- ▶ Accessories 46 - 51
- ▶ Technical information 76 - 78



hettich.com/short/bbf70

Fast assembly concealed hinge

- ▶ Sensys angle hinge W30
- ▶ Opening angle 95°

Minimum reveal per door

Door thickness mm	Cup distance C mm							
	3.0	4.0	4.5	5.0	6.0	7.0	8.0	
15	0.2	0.2	0.2	0.2	0.2	0.2	0.2	
16	0.3	0.3	0.3	0.3	0.3	0.3	0.3	
17	0.4	0.4	0.4	0.4	0.4	0.4	0.4	
18	0.6	0.6	0.6	0.6	0.6	0.5	0.5	
19	0.8	0.8	0.8	0.8	0.7	0.7	0.7	
20	1.1	1.0	1.0	1.0	1.0	0.9	0.9	
21	1.4	1.3	1.3	1.3	1.2	1.2	1.2	
22	2.2	1.8	1.7	1.6	1.6	1.5	1.4	
23	3.0	2.6	2.4	2.2	2.0	1.9	1.8	
24	3.9	3.4	3.2	3.0	2.6	2.4	2.2	
25	4.8	4.2	4.0	3.8	3.4	3.0	2.8	
26	5.7	5.1	4.8	4.6	4.2	3.8	3.4	
27	6.6	6.0	5.7	5.5	5.0	4.5	4.2	
28	7.5	6.9	6.6	6.3	5.8	5.3	4.9	

Please note:

The table entries refer to doors with an edge radius of 1 mm.

On doors with other radii, the minimum reveal changes as follows:

Radius 0 mm:
Values shown in table + 0.4 mm

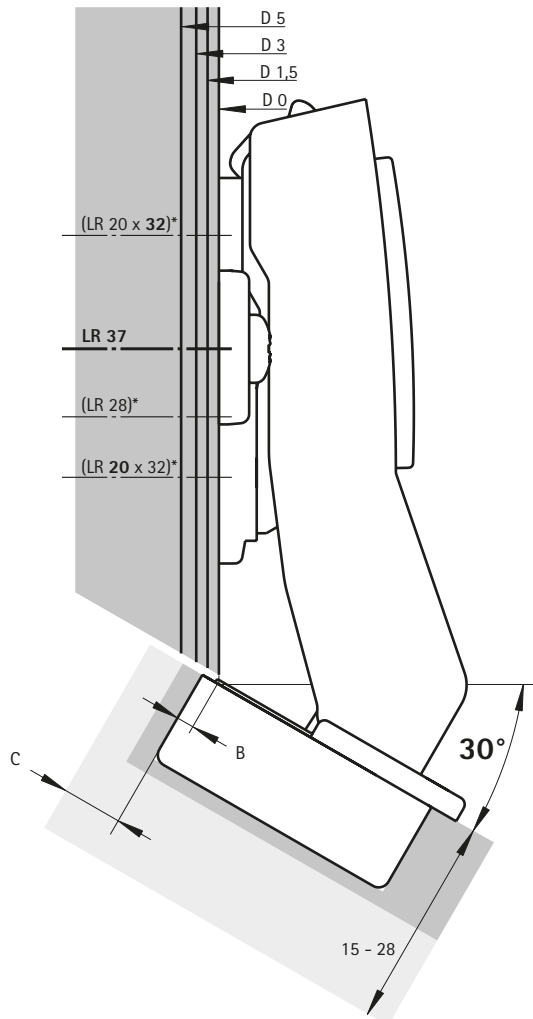
Radius 3 mm:
Values shown in table - 0.6 mm

Note

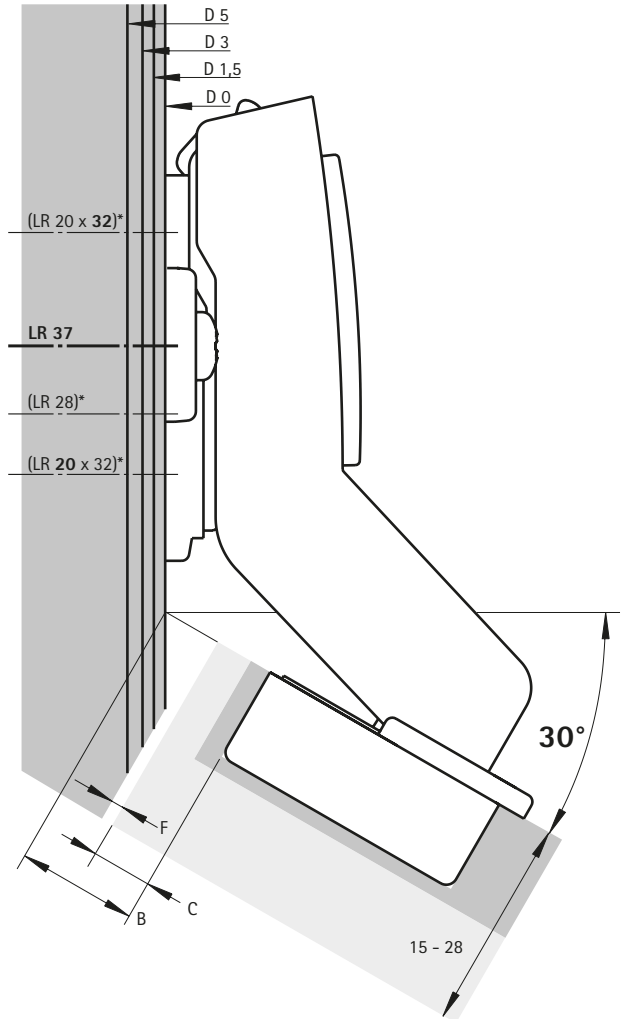
The drawings below show the hinges including mounting plate distances on a scale of 1:1. Allowing for cup distance C (3 - 8 mm) as well as the minimum reveal, the required mounting plate distance and hole line can be determined by drawing in the door and side panel.

You will find further information on configuring in the hinge configurator in the online catalogue or on our Hettich channel on YouTube.

overlay (B 2 mm) - Scale 1:1



inset (B -16 mm) - Scale 1:1



Advice

- ▶ Mounting plates 38 - 45
- ▶ Accessories 46 - 51
- ▶ Technical information 76 - 78
- ▶ *not available in all markets



hettich.com/short/61b351

Fast assembly concealed hinge

- ▶ Sensys angle hinge W45
- ▶ Opening angle 95°

Minimum reveal per door

Door thickness mm	Cup distance C mm							
	3.0	4.0	4.5	5.0	6.0	7.0	8.0	
15	0.2	0.2	0.2	0.2	0.2	0.2	0.2	
16	0.3	0.3	0.3	0.3	0.3	0.3	0.3	
17	0.4	0.4	0.4	0.4	0.4	0.4	0.4	
18	0.6	0.6	0.6	0.6	0.6	0.5	0.5	
19	0.8	0.8	0.8	0.8	0.7	0.7	0.7	
20	1.1	1.0	1.0	1.0	1.0	0.9	0.9	
21	1.4	1.3	1.3	1.3	1.2	1.2	1.2	
22	2.2	1.8	1.7	1.6	1.6	1.5	1.4	
23	3.0	2.6	2.4	2.2	2.0	1.9	1.8	
24	3.9	3.4	3.2	3.0	2.6	2.4	2.2	
25	4.8	4.2	4.0	3.8	3.4	3.0	2.8	
26	5.7	5.1	4.8	4.6	4.2	3.8	3.4	
27	6.6	6.0	5.7	5.5	5.0	4.5	4.2	
28	7.5	6.9	6.6	6.3	5.8	5.3	4.9	

Please note:

The table entries refer to doors with an edge radius of 1 mm.

On doors with other radii, the minimum reveal changes as follows:

Radius 0 mm:
Values shown in table + 0.4 mm

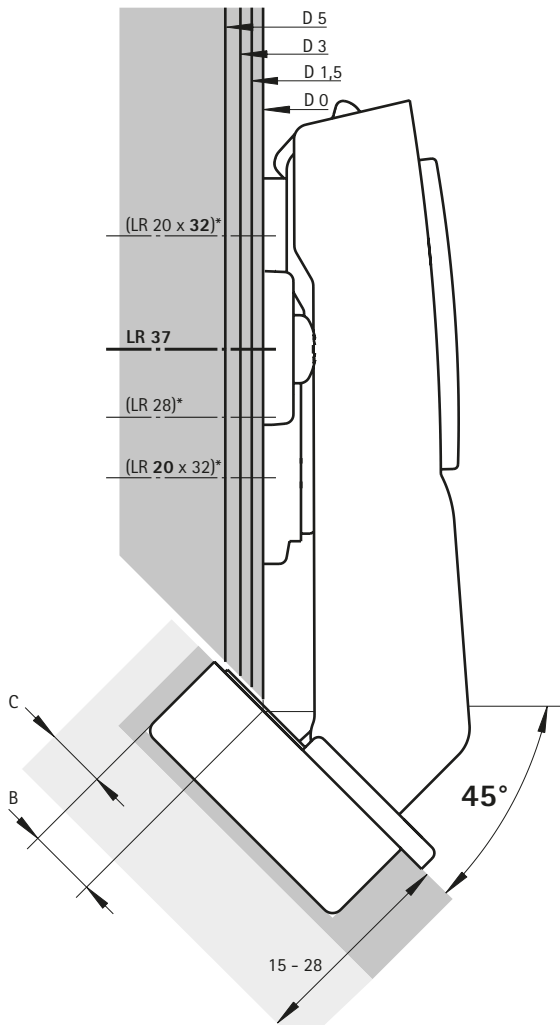
Radius 3 mm:
Values shown in table - 0.6 mm

Note

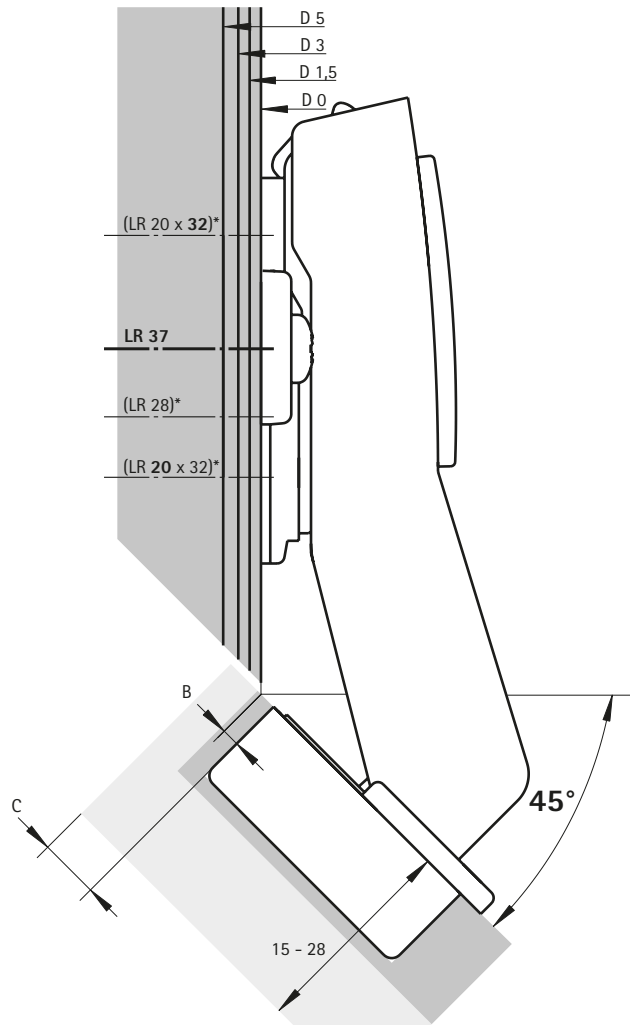
The drawings below show the hinges including mounting plate distances on a scale of 1:1. Allowing for cup distance C (3 - 8 mm) as well as the minimum reveal, the required mounting plate distance and hole line can be determined by drawing in the door and side panel.

You will find further information on configuring in the hinge configurator in the online catalogue or on our Hettich channel on YouTube.

overlay (B 9 mm) - Scale 1:1



overlay (B -2 mm) - Scale 1:1



Fast assembly concealed hinge

- ▶ Sensys angle hinge W45
- ▶ Opening angle 95°

Minimum reveal per door

Door thickness mm	Cup distance C mm							
	3.0	4.0	4.5	5.0	6.0	7.0	8.0	
15	0.2	0.2	0.2	0.2	0.2	0.2	0.2	
16	0.3	0.3	0.3	0.3	0.3	0.3	0.3	
17	0.4	0.4	0.4	0.4	0.4	0.4	0.4	
18	0.6	0.6	0.6	0.6	0.6	0.5	0.5	
19	0.8	0.8	0.8	0.8	0.7	0.7	0.7	
20	1.1	1.0	1.0	1.0	1.0	0.9	0.9	
21	1.4	1.3	1.3	1.3	1.2	1.2	1.2	
22	2.2	1.8	1.7	1.6	1.6	1.5	1.4	
23	3.0	2.6	2.4	2.2	2.0	1.9	1.8	
24	3.9	3.4	3.2	3.0	2.6	2.4	2.2	
25	4.8	4.2	4.0	3.8	3.4	3.0	2.8	
26	5.7	5.1	4.8	4.6	4.2	3.8	3.4	
27	6.6	6.0	5.7	5.5	5.0	4.5	4.2	
28	7.5	6.9	6.6	6.3	5.8	5.3	4.9	

Please note:

The table entries refer to doors with an edge radius of 1 mm.

On doors with other radii, the minimum reveal changes as follows:

Radius 0 mm:
Values shown in table + 0.4 mm

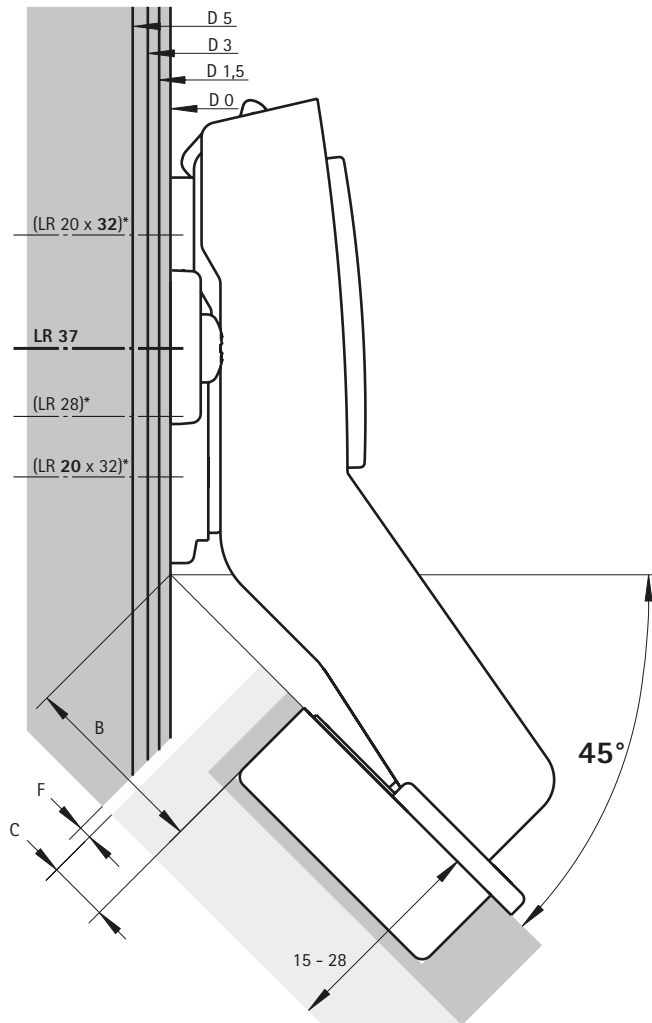
Radius 3 mm:
Values shown in table - 0.6 mm

Note

The drawings below show the hinges including mounting plate distances on a scale of 1:1. Allowing for cup distance C (3 - 8 mm) as well as the minimum reveal, the required mounting plate distance and hole line can be determined by drawing in the door and side panel.

You will find further information on configuring in the hinge configurator in the online catalogue or on our Hettich channel on YouTube.

inset (B -25 mm) - Scale 1:1



Advice

- ▶ Mounting plates 38 - 45
- ▶ Accessories 46 - 51
- ▶ Technical information 76 - 78
- ▶ *not available in all markets



hettich.com/short/44e397

Fast assembly concealed hinge

- ▶ Sensys angle hinge W90
- ▶ Opening angle 95°

Minimum reveal per door

Door thickness mm	Cup distance C mm					
	3.0	4.0	4.5	5.0	6.0	7.0
15	0.2	0.2	0.2	0.2	0.2	0.2
16	0.3	0.3	0.3	0.3	0.3	0.3
17	0.4	0.4	0.4	0.4	0.4	0.4
18	0.6	0.6	0.6	0.6	0.6	0.5
19	0.8	0.8	0.8	0.8	0.7	0.7
20	1.1	1.0	1.0	1.0	1.0	0.9
21	1.4	1.3	1.3	1.3	1.2	1.2
22	2.2	1.8	1.7	1.6	1.6	1.5
23	3.0	2.6	2.4	2.2	2.0	1.9
24	3.9	3.4	3.2	3.0	2.6	2.4
25	4.8	4.2	4.0	3.8	3.4	3.0
26	5.7	5.1	4.8	4.6	4.2	3.8
27	6.6	6.0	5.7	5.5	5.0	4.5
28	7.5	6.9	6.6	6.3	5.8	5.3

Please note:

The table entries refer to doors with an edge radius of 1 mm.

On doors with other radii, the minimum reveal changes as follows:

Radius 0 mm:
Values shown in table + 0.4 mm

Radius 3 mm:
Values shown in table - 0.6 mm

Note

The drawings below show the hinges including mounting plate distances on a scale of 1:1. Allowing for cup distance C (3 - 7 mm) as well as the minimum reveal, the required mounting plate distance and hole line can be determined by drawing in the door and side panel.

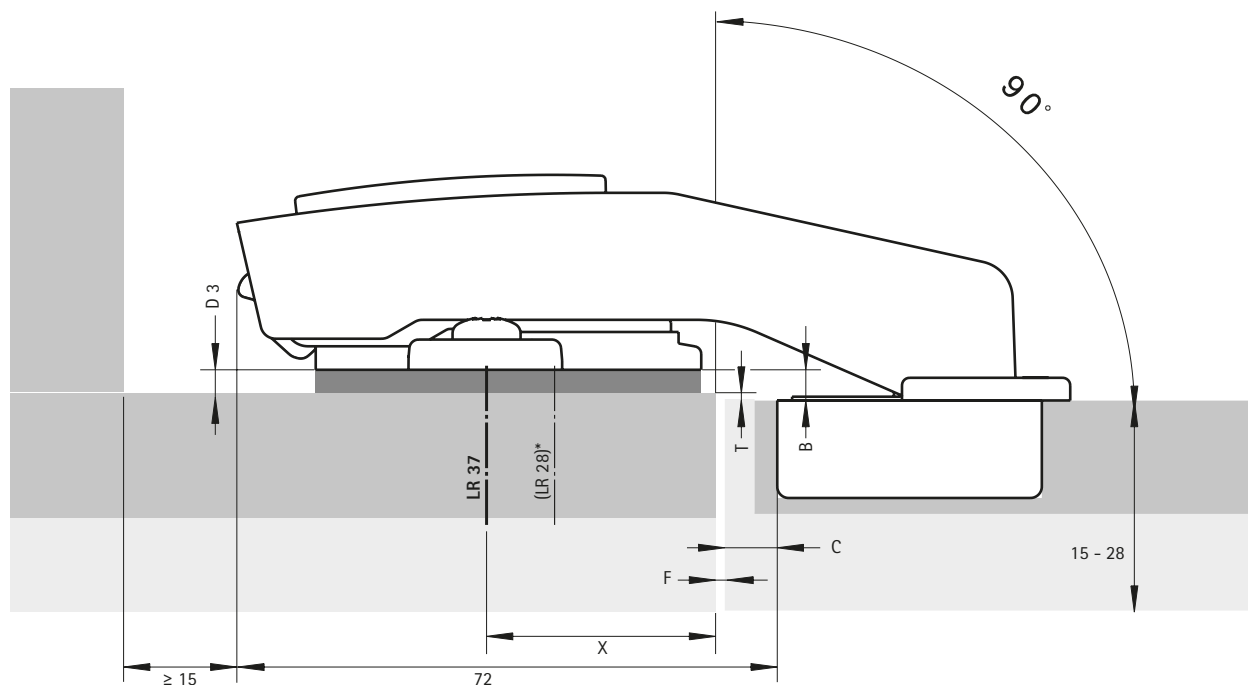
You will find further information on configuring in the hinge configurator in the online catalogue or on our Hettich channel on YouTube.

Determining hole line distance X mm when using mounting plate for hole line 37

Reveal mm	Cup distance C mm							
	3.0	3.5	4.0	4.5	5.0	5.5	6.0	7.0
0.5	35.0	34.5	34.0	33.5	33.0	32.5	32.0	31.0
1.5	34.0	33.5	33.0	32.5	32.0	31.5	31.0	30.0
2.5	33.0	32.5	32.0	31.5	31.0	30.5	30.0	29.0
3.5	32.0	31.5	31.0	30.5	30.0	29.5	29.0	28.0
4.5	31.0	30.5	30.0	29.5	29.0	28.5	28.0	27.0
5.5	30.0	29.5	29.0	28.5	28.0	27.5	27.0	26.0
6.5	29.0	28.5	28.0	27.5	27.0	26.5	26.0	25.0
7.5	28.0	27.5	27.0	26.5	26.0	25.5	25.0	24.0

inset (B 4 mm) - Scale 1:1

Distance D = 4 mm - door offset
(the recommended door offset is 1 mm)



Advice

- ▶ Mounting plates 38 - 45
- ▶ Accessories 46 - 51
- ▶ Technical information 76 - 78
- ▶ *not available in all markets

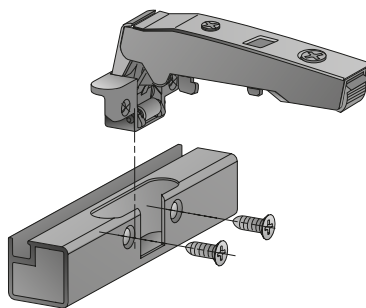
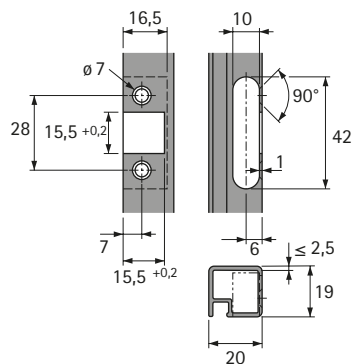


hettich.com/short/260da9

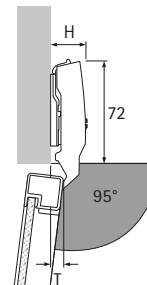
Fast assembly concealed hinge

- ▶ Sensys aluminium frame hinge
- ▶ Opening angle 95°

Installation



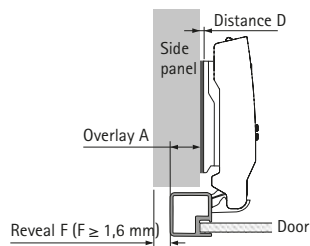
Protrusions / installed depth



Hinge protrusion H / door protrusion T for distance D = 0

Door mounting option	H mm	T mm
full overlay	25.0	8.0
half overlay	31.0	17.5
inset	38.0	24.5

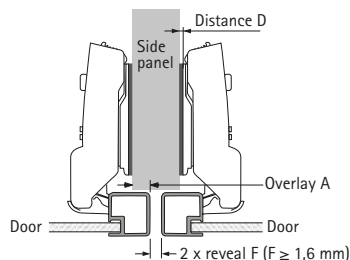
full overlay



$$\text{Distance D mm} = 4.5 \text{ mm} + B - A$$

$$= 4.5 \text{ mm} + 12.5 \text{ mm} - \text{Overlay A}$$

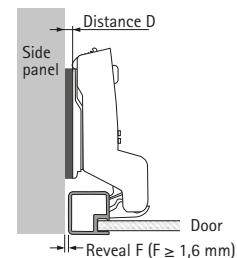
half overlay



$$\text{Distance D mm} = 4.5 \text{ mm} + B - A$$

$$= 4.5 \text{ mm} + 3 \text{ mm} - \text{Overlay A}$$

inset



$$\text{Distance D} = 4.5 \text{ mm} + B + F$$

$$= 4.5 \text{ mm} - 4 \text{ mm} + \text{reveal}$$

Overlay mm	Distance D mm
12	5.0
13	4.0
14	3.0
15	2.0
16	1.0
17	0.0

Overlay mm	Distance D mm
0	7.5
1	6.5
2	5.5
2.5	5.0
3	4.5
4	3.5
4.5	3.0
5	2.5
6	1.5
7	0.5
7.5	0.0

Reveal mm	Distance D mm
1.6	2.1
2	2.5
3	3.5
4	4.5
5	5.5

Advice

- ▶ Mounting plates 38 - 45
- ▶ Accessories 46 - 51
- ▶ Technical information 76 - 78



hettich.com/short/5e30fd

Fast assembly concealed hinge

- ▶ Hinge for corner cabinet folding doors
- ▶ Opening angle 50° / 65°

Version A - Cup drill holes in one door

- ▶ All cup drillings in one door
- ▶ Minimum reveal between door elements possible
- ▶ No cutaway in cup drillings necessary
- ▶ Same door width for both elements
- ▶ Diagonal adjustment capability for easy adjustment to door thickness
- ▶ Same cup distance on both sides of cabinet body mounted door
- ▶ Hole line distance of 37 mm in the folding door panel
- ▶ For door thickness 15 - 21 mm
- ▶ Cup distance C 3 - 6 mm

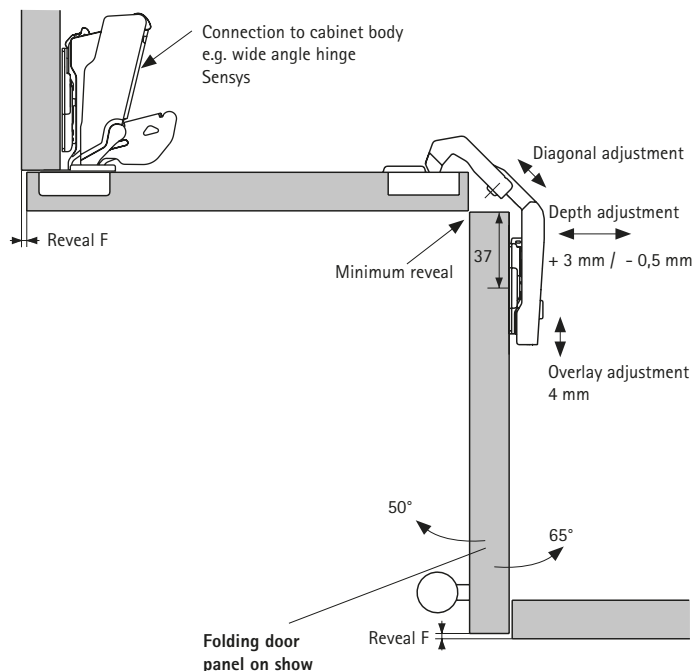
Version A - Calculation of door width

Door width = cabinet body width - reveal F - door thickness

Version A - Calculation of mounting plate distance

For cup distance C = 4.5 mm: Distance D = 0 mm
 For cup distance C = 3.0 mm: Distance D = 1.5 mm

Differing cup distances can be evened out by depth and diagonal adjustment.



Version B - Cup drill holes in both doors

- ▶ Both door elements are the same
- ▶ No cutaway in cup drillings necessary
- ▶ Diagonal adjustment capability for easy adjustment to door thickness
- ▶ Hole line distance of 41 mm in the cabinet body mounted door
- ▶ For door thickness 15 - 21 mm
- ▶ Cup distance C 3 - 6 mm

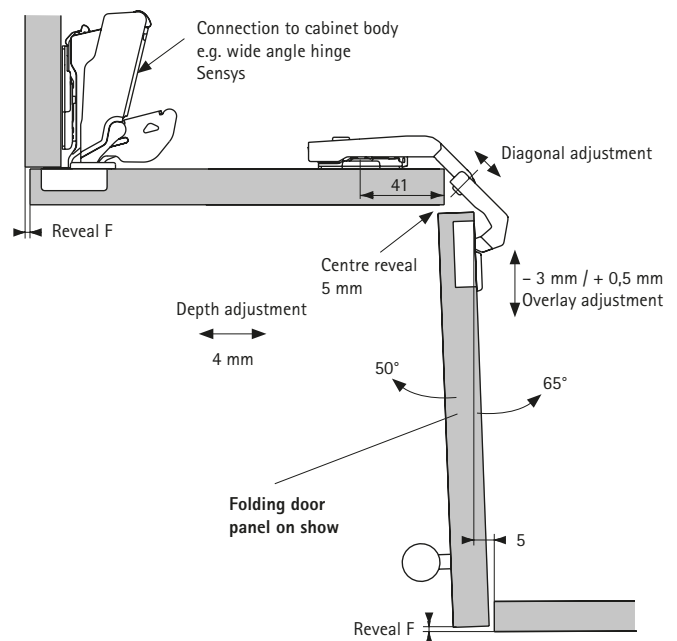
Version B - Calculation of door width

Door width = cabinet body width - reveal F - door thickness - 5 mm

Version B - Calculation of mounting plate distance

For cup distance C = 4.5 mm: Distance D = 0 mm
 For cup distance C = 3.0 mm: Distance D = 1.5 mm

Differing cup distances can be evened out by depth and diagonal adjustment.



Advice

- | | |
|-------------------------|---------|
| ▶ Mounting plates | 38 - 45 |
| ▶ Accessories | 46 - 51 |
| ▶ Technical information | 76 - 78 |

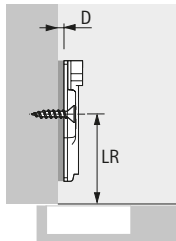


hettich.com/short/eb1de4

Fast assembly concealed hinge

- ▶ Mounting plates with oblong hole height adjustment
- ▶ For Sensys and Intermat

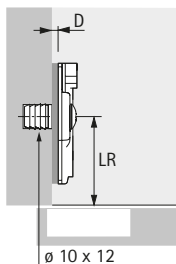
Cross mounting plate for screwing on



- ▶ For 4.5 mm \varnothing x 16 mm countersunk screws
- ▶ Quality classification under EN 15570, Level 3
- ▶ Hole spacing 32 mm
- ▶ Oblong hole height adjustment ± 3 mm
- ▶ Steel nickel plated

Hole line distance LR mm	Order no. / Distance D mm					PU
	0.0	1.5	3.0	5.0	8.0	
37	9 075 005	9 075 006	9 075 007	9 075 008	9 075 009	50 ea.
37	9 071 575	9 071 576	9 071 577	9 071 578	9 071 579	*200 ea.

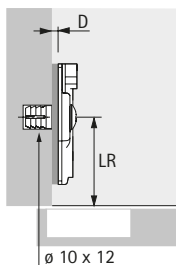
Cross mounting plate for pressing in



- ▶ For $\varnothing 10 \times 12$ mm drillings
- ▶ Quality classification under EN 15570, Level 3
- ▶ Hole spacing 32 mm
- ▶ Oblong hole height adjustment ± 2 mm
- ▶ Steel nickel plated

Hole line distance LR mm	Order no. / Distance D mm				PU
	0.0	1.5	3.0	5.0	
37	9 071 615	9 071 616	9 071 617	9 071 618	*200 ea.

Cross mounting plate with expanding sockets and special screws



- ▶ For $\varnothing 10 \times 12$ mm drillings
- ▶ Quality classification under EN 15570, Level 3
- ▶ Hole spacing 32 mm
- ▶ Oblong hole height adjustment ± 2 mm
- ▶ Steel nickel plated

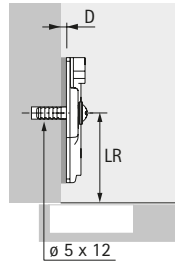
Hole line distance LR mm	Order no. / Distance D mm					PU
	0.0	1.5	3.0	5.0	8.0	
37	9 071 605	9 071 606	9 071 607	9 071 608	9 071 609	*200 ea.

* stock item

Fast assembly concealed hinge

- ▶ Mounting plates with oblong hole height adjustment
- ▶ For Sensys and Intermat

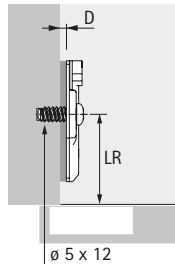
Cross mounting plate with expanding sockets and special screws



- ▶ For $\varnothing 5 \times 12$ mm holes
- ▶ Quality classification under EN 15570, Level 3
- ▶ Hole spacing 32 mm
- ▶ Oblong hole height adjustment ± 2 mm
- ▶ Steel nickel plated

Hole line distance LR mm	Order no. / Distance D mm				PU
	0.0	1.5	3.0	5.0	
37	9 071 595	9 071 596	9 071 597	9 071 598	*200 ea.

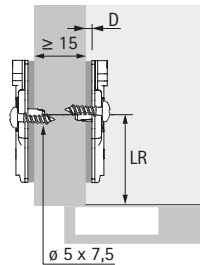
Cross mounting plate with premounted Euro screws



- ▶ For $\varnothing 5 \times 12$ mm holes
- ▶ Quality classification under EN 15570, Level 3
- ▶ Hole spacing 32 mm
- ▶ Oblong hole height adjustment ± 3 mm
- ▶ Steel nickel plated

Hole line distance LR mm	Order no. / Distance D mm					PU
	0.0	1.5	3.0	5.0	8.0	
37	9 075 055	9 075 056	9 075 057	9 075 058	9 075 059	50 ea.
37	9 071 625	9 071 626	9 071 627	9 071 628	9 071 629	*200 ea.

Patented "Hettich Direkt" cross mounting plate with locating pin and special screws



- ▶ For $\varnothing 5 \times 7.5$ mm holes
- ▶ Quality classification under EN 15570, Level 2
- ▶ Hole spacing 32 mm
- ▶ Half overlay door, from 15 mm side panel thickness
- ▶ Oblong hole height adjustment ± 2 mm
- ▶ Steel nickel plated

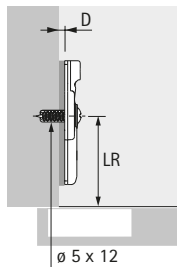
Hole line distance LR mm	Order no. / Distance D mm				PU
	0.0	1.5	3.0	5.0	
37	9 071 585	9 071 586	9 071 587	9 071 588	*200 ea.

* stock item

Fast assembly concealed hinge

- ▶ Mounting plates with oblong hole height adjustment
- ▶ For Sensys and Intermat

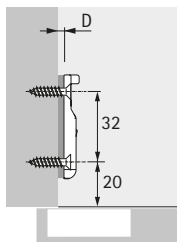
Cross mounting plate with locating pins and special screws



- ▶ For $\varnothing 5 \times 12$ mm holes
- ▶ Quality classification under EN 15570, Level 2
- ▶ Hole spacing 25 mm
- ▶ Oblong hole height adjustment ± 2 mm
- ▶ Steel nickel plated

Hole line distance LR mm	Order no. / Distance D mm			PU
	0.0	1.5	3.0	
37	9 106 980	9 106 981	9 106 982	*200 ea.

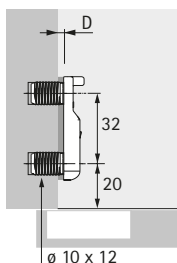
Linear mounting plate for screwing on



- ▶ For $3.5 \text{ mm } \varnothing \times 16 \text{ mm}$ countersunk screws
- ▶ Quality classification under EN 15570, Level 3
- ▶ Oblong hole height adjustment ± 1.6 mm
- ▶ Nickel plated die-cast zinc

Hole line distance LR mm	Order no. / Distance D mm		PU
	0.5	3.0	
20	9 088 244	9 088 245	50 ea.

Linear mounting plate for pressing in



- ▶ For drilling $\varnothing 10 \text{ mm} \times 12 \text{ mm}$
- ▶ Quality classification under EN 15570, Level 3
- ▶ Oblong hole height adjustment ± 1.6 mm
- ▶ Nickel plated die-cast zinc

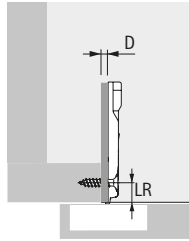
Hole line distance LR mm	Order no. / Distance D mm		PU
	0.5	3.0	
20	9 088 242	9 088 243	50 ea.

* stock item

Fast assembly concealed hinge

- ▶ Mounting plates with oblong hole height adjustment
- ▶ For Sensys

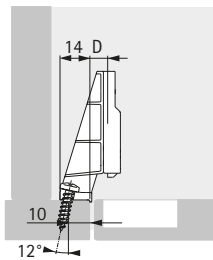
Face frame mounting plate for screwing on



- ▶ For 4 mm \varnothing x 20 mm countersunk screws
- ▶ Quality classification under EN 15570, Level 3
- ▶ Hole spacing 40 mm
- ▶ Oblong hole height adjustment ± 2 mm
- ▶ Can only be used with Sensys hinges
- ▶ Nickel plated die-cast zinc

Hole line distance LR mm	Order no. / Distance D mm		PU
	0.0	4.5	
9.5	9 088 246	9 088 248	50 ea.
9.5	9 084 930	9 084 931	*200 ea.

Inset Face Frame mounting plate System 8099 OBLONG HOLE ADJUSTMENT



- ▶ For inset doors on Face Frame cabinets
- ▶ Quality classification under EN 15570, Level 3
- ▶ Attachment to Face Frame with pan head screw $\varnothing 4$ x 20 mm
- ▶ Oblong hole height adjustment $\pm 1,6$ mm
- ▶ Zinc die-cast nickel plated

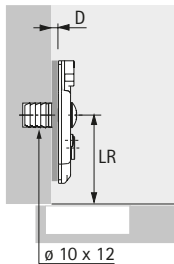
Hole line distance LR mm	Order no. / Distance D mm		PU
	3.0		
9.5	1 135 793		50 ea.

* stock item

Fast assembly concealed hinge

- ▶ Mounting plates with direct height adjustment
- ▶ For Sensys and Intermat

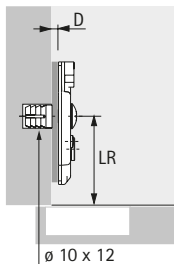
Cross mounting plate for pressing in



- ▶ For $\varnothing 10 \times 12$ mm drillings
- ▶ Quality classification under EN 15570, Level 3
- ▶ Hole spacing 32 mm
- ▶ Direct height adjustment ± 2 mm
- ▶ Steel nickel plated

Hole line distance LR mm	Order no. / Distance D mm				PU
	0.0	1.5	3.0	5.0	
37	9 071 680	9 071 681	9 071 682	9 071 683	*200 ea.

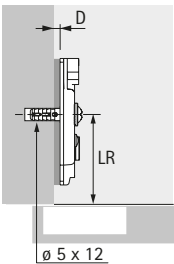
Cross mounting plate with expanding sockets and special screws



- ▶ For $\varnothing 10 \times 12$ mm drillings
- ▶ Quality classification under EN 15570, Level 3
- ▶ Hole spacing 32 mm
- ▶ Direct height adjustment ± 2 mm
- ▶ Steel nickel plated

Hole line distance LR mm	Order no. / Distance D mm				PU
	0.0	1.5	3.0	5.0	
37	9 071 660	9 071 661	9 071 662	9 071 663	*200 ea.

Cross mounting plate with expanding sockets and special screws



- ▶ For $\varnothing 5 \times 12$ mm holes
- ▶ Quality classification under EN 15570, Level 3
- ▶ Hole spacing 32 mm
- ▶ Direct height adjustment ± 2 mm
- ▶ Steel nickel plated

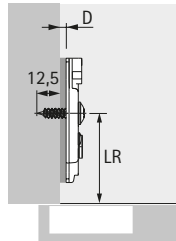
Hole line distance LR mm	Order no. / Distance D mm				PU
	0.0	1.5	3.0	5.0	
37	9 075 070	9 075 071	9 075 072	9 075 073	50 ea.
37	9 071 655	9 071 656	9 071 657	9 071 658	*200 ea.

* stock item

Fast assembly concealed hinge

- ▶ Mounting plates with direct height adjustment
- ▶ For Sensys and Intermat

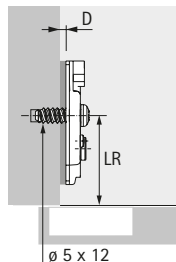
Cross mounting plate with premounted chipboard screws



- ▶ For holes with max. \varnothing 2.5 mm
- ▶ Quality classification under EN 15570, Level 3
- ▶ Hole spacing 32 mm
- ▶ Direct height adjustment \pm 2 mm
- ▶ Steel nickel plated

Hole line distance LR mm	Order no. / Distance D mm				PU
	0.0	1.5	3.0	5.0	
37	9 075 085	9 075 086	9 075 087	9 075 088	50 ea.
37	9 071 670	9 071 671	9 071 672	9 071 673	*200 ea.

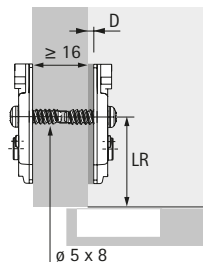
Cross mounting plate with premounted Euro screws



- ▶ For \varnothing 5 x 12 mm holes
- ▶ Quality classification under EN 15570, Level 3
- ▶ Hole spacing 32 mm
- ▶ Direct height adjustment \pm 2 mm
- ▶ Steel nickel plated

Hole line distance LR mm	Order no. / Distance D mm				PU
	0.0	1.5	3.0	5.0	
37	9 075 080	9 075 081	9 075 082	9 075 083	50 ea.
37	9 071 665	9 071 666	9 071 667	9 071 668	*200 ea.

Cross mounting plate with premounted Euro screws



- ▶ For \varnothing 5 x 8 mm holes
- ▶ Quality classification under EN 15570, Level 3
- ▶ Hole spacing 32 mm
- ▶ Half overlay door, from 16 mm side panel thickness
- ▶ Direct height adjustment \pm 2 mm
- ▶ Steel nickel plated

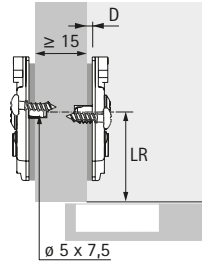
Hole line distance LR mm	Order no. / Distance D mm				PU
	0.0	1.5	3.0	5.0	
37	9 075 060	9 075 061	9 075 062	9 075 063	50 ea.
37	9 071 645	9 071 646	9 071 647	9 071 648	*200 ea.

* stock item

Fast assembly concealed hinge

- ▶ Mounting plates with direct height adjustment
- ▶ For Sensys and Intermat

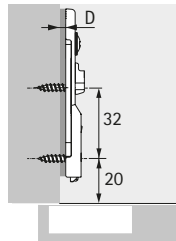
Patented "Hettich Direkt" cross mounting plate with locating pin and special screws



- ▶ For $\varnothing 5 \times 7.5$ mm holes
- ▶ Quality classification under EN 15570, Level 2
- ▶ Hole spacing 32 mm
- ▶ Half overlay door, from 15 mm side panel thickness
- ▶ Direct height adjustment ± 2 mm
- ▶ Steel nickel plated

Hole line distance LR mm	Order no. / Distance D mm				PU
	0.0	1.5	3.0	5.0	
37	9 075 065	9 075 066	9 075 067	9 075 068	50 ea.
37	9 071 650	9 071 651	9 071 652	9 071 653	*200 ea.

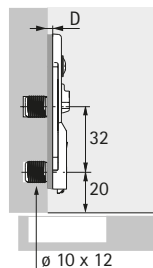
Linear mounting plate for screwing on



- ▶ For 3.5 mm $\varnothing \times 16$ mm countersunk screws
- ▶ Quality classification under EN 15570, Level 3
- ▶ Direct height adjustment ± 2 mm
- ▶ Steel nickel plated

Hole line distance LR mm	Order no. / Distance D mm		PU
	1.5	3.0	
20	9 117 341	9 117 342	50 ea.

Linear mounting plate for pressing in



- ▶ For $\varnothing 10 \times 12$ mm drillings
- ▶ Quality classification under EN 15570, Level 3
- ▶ Direct height adjustment ± 2 mm
- ▶ Steel nickel plated

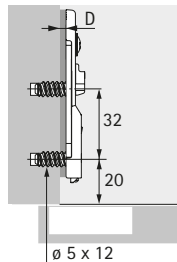
Hole line distance LR mm	Order no. / Distance D mm		PU
	1.5	3.0	
20	9 117 344	9 117 388	50 ea.

* stock item

Fast assembly concealed hinge

- ▶ Mounting plates with direct height adjustment
- ▶ For Sensys and Intermat

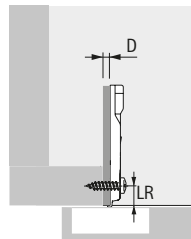
Linear mounting plate with premounted Euro screws



- ▶ For $\varnothing 5 \times 12$ mm holes
- ▶ Quality classification under EN 15570, Level 3
- ▶ Direct height adjustment ± 2 mm
- ▶ Steel nickel plated

Hole line distance LR mm	Order no. / Distance D mm		PU
	1.5	3.0	
20	9 133 874	9 133 875	50 ea.

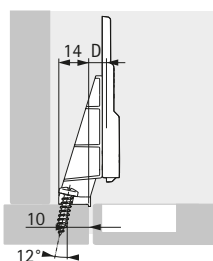
Face frame mounting plate for screwing on



- ▶ For flat head screws $\varnothing 4 \times 20$ mm
- ▶ Quality classification under EN 15570, Level 3
- ▶ Hole spacing 40 mm
- ▶ Direct height adjustment ± 2 mm
- ▶ Steel nickel plated

Hole line distance LR mm	Order no. / Distance D mm		PU
	0.0	4.5	
9.5	9 090 882	9 090 884	50 ea.

Inset Face Frame mounting plate System 8099 CAM HEIGHT ADJUSTMENT



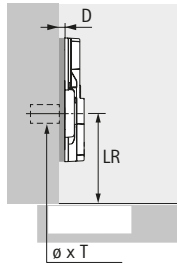
- ▶ For inset doors on Face Frame cabinets
- ▶ Quality classification under EN 15570, Level 3
- ▶ Attachment to Face Frame with pan head screw $\varnothing 4 \times 20$ mm
- ▶ Cam height adjustment $\pm 1,6$ mm
- ▶ Zinc die-cast nickel plated

Hole line distance LR mm	Order no. / Distance D mm		PU
	3.0		
9.5	9 179 885		50 ea.

Fast assembly concealed hinge

- ▶ Accessories
- ▶ For Sensys

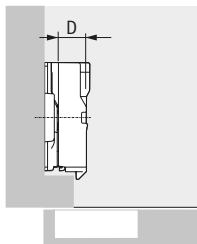
Adapter plate for parallel adapter



- ▶ For connecting parallel adapters
- ▶ Quality classification under EN 15570, Level 3
- ▶ For use in 28 or 37 mm hole line
- ▶ Can only be used with screwed on adapter
- ▶ Hole spacing 32 mm
- ▶ Oblong hole height adjustment ± 3 mm (versions for screwing on / with premounted Euro screws)
- ▶ Oblong hole height adjustment ± 2 mm (version with expanding sockets)
- ▶ Nickel plated die-cast zinc

Cup assembly	Mounting hole $\varnothing \times T$ mm	Order no. / Distance D mm			PU
		0.0	1.5	3.0	
for screw mounting with $\varnothing 4.5 \times 16$ mm flat head screws	-	9 106 989	9 106 990	9 106 991	50 ea.
with expanding sockets	$\varnothing 10 \times 12$	9 106 983	9 106 984	9 106 985	50 ea.
with premounted Euro screws	$\varnothing 5 \times 12$	9 106 986	9 106 987	9 106 988	50 ea.

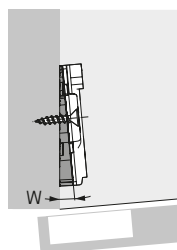
Parallel adapter



- ▶ For screwing onto the adapter plate
- ▶ Distances of up to 25 mm can be reached in combination with the adapter plate
- ▶ Including fixing screw
- ▶ A trial mounting is recommended
- ▶ Nickel plated die-cast zinc

Distance D mm	Order no.	PU
8.0	9 072 537	50 ea.
12.0	9 072 538	50 ea.
22.0	9 072 539	50 ea.

Angle adapter for cross mounting plates



- ▶ For realizing face angle applications
- ▶ A trial mounting is recommended
- ▶ Plastic, anthracite

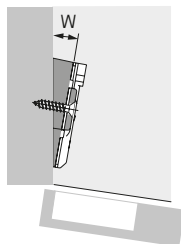
Angle W°	Order no.	PU
-5	9 237 120	50 ea.

Can only be used with LR37 cross mounting plates for screwing on, screw length is defined by the specific configuration

Fast assembly concealed hinge

- ▶ Accessories
- ▶ For Sensys

Angle adapter for cross mounting plates

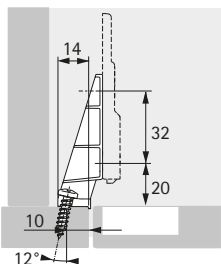


- ▶ For realizing face angle applications
- ▶ 5° angle adapter can be stacked on the other angle adapters
- ▶ A trial mounting is recommended
- ▶ Nickel plated die-cast zinc

Angle W°	Order no.	PU
5	9 072 533	50 ea.
10	9 072 534	50 ea.
15	9 072 535	50 ea.
20	9 072 536	50 ea.

Can only be used with LR37 cross mounting plates for screwing on, screw length is defined by the specific configuration

Adapter for inset doors on front frame



- ▶ For creating inset doors on cabinets with front frame
- ▶ Quality classification under EN 15570, Level 3
- ▶ For combining with linear mounting plate for screwing on and hinge for half overlay doors
- ▶ Attachment to front frame by $\varnothing 4 \times 20$ mm panhead screws
- ▶ The mounting plate is attached to the adapter with $\varnothing 4 \times 12$ mm self tapping special screws (order no. 9 076 418 / 100 each)
- ▶ Nickel plated die-cast zinc

Order no.	PU
9 227 315	50 ea.

Cover cap for Sensys hinge arm



- ▶ Can be used with all Sensys hinges apart from Sensys wide angle hinge
- ▶ Cover caps with customised embossed or printed logo on request
- ▶ Steel nickel plated

Design	Order no. / PU		
	50 ea.	200 ea.	2000 ea.
neutral	9 088 249	9 082 612	9 089 666
embossed with Hettich logo	9 088 250	9 082 774	9 089 667

Fast assembly concealed hinge

- ▶ Accessories
- ▶ For Sensys

Cover cap for Sensys hinge arm (wide angle hinge)



- ▶ Can be used with all Sensys wide angle hinges
- ▶ Cover caps with customised print available on request
- ▶ Plastic, anthracite

Design	Order no.	PU
neutral	9 099 870	50 ea.
printed with Hettich logo	9 099 871	50 ea.

Cover cap for Sensys hinge cup



- ▶ Can be used for hinges with cup in Sensys design
- ▶ Can be used for all attachment options apart from Fix and premounted wood screw
- ▶ Steel nickel plated

Design	Order no. / PU		
	50 ea.	200 ea.	1000 ea.
for drilling pattern TH / TS	9 088 251	9 082 614	9 089 664
for drilling pattern TB	9 088 252	9 084 924	9 089 665

Soft opening for Sensys wide angle hinge



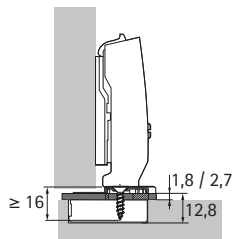
- ▶ Can be used with Sensys wide angle hinges with integrated Silent System
- ▶ Cannot be combined with opening angle limiter
- ▶ Plastic, anthracite

Door mounting option	Order no.	PU
full overlay	9 100 037	50 ea.
half overlay	9 100 116	50 ea.

Fast assembly concealed hinge

- ▶ Accessories
- ▶ For Sensys

Adapter for reducing drilling depth



- ▶ To reduce the required depth of the cup drilling in thin or highly softened doors
- ▶ Can be used with hinge cup for screwing on
- ▶ The gap between cabinet body and door increases by the thickness of the adapter
- ▶ Attachment by $\varnothing 4 \times 16$ mm countersunk screws
- ▶ Transparent plastic

Design	Order no. / Thickness mm		PU
	1.8	2.7	
for drilling pattern TH, TS	9 073 595	9 073 596	50 ea.
for drilling pattern TB	9 073 597	9 073 598	50 ea.

Opening angle limiter for Sensys 110° hinge



- ▶ Limitation from 110° to 85°
- ▶ For reducing the opening angle of doors with adjoining elements
- ▶ Avoids damage to the front panel
- ▶ Plastic, white

Order no.	PU
9 072 540	50 ea.

Opening angle limiter for Sensys 110° hinge



- ▶ Limitation from 110° to 90°
- ▶ For reducing the opening angle of doors with adjoining elements
- ▶ Avoids damage to the front panel
- ▶ Plastic, grey

Order no.	PU
9 072 354	50 ea.

Opening angle limiter for Sensys thick door hinges



- ▶ Limitation from 95° to 85°
- ▶ For reducing the opening angle of doors with adjoining elements
- ▶ Avoids damage to the front panel
- ▶ Steel

Order no.	PU
9 103 006	50 ea.

Opening angle limiter for Sensys thin door hinges



- ▶ Limitation from 110° to 85°
- ▶ For reducing the opening angle of doors with adjoining elements
- ▶ Avoids damage to the front panel
- ▶ Plastic, anthracite

Order no.	PU
9 076 440	50 ea.

Fast assembly concealed hinge

- ▶ Accessories
- ▶ For Sensys

Opening angle limiter for Sensys wide angle hinges



- ▶ Limitation from 165° to 105° or 120°
- ▶ For reducing the opening angle of doors with adjoining elements
- ▶ Avoids damage to the front panel
- ▶ Plastic, anthracite

Order no.	PU
9 090 756	50 ea.

Opening angle limiter for Sensys wide angle hinges



- ▶ Limitation from 165° to 90° or 135°
- ▶ For reducing the opening angle of doors with adjoining elements
- ▶ Avoids damage to the front panel
- ▶ Plastic, anthracite

Order no.	PU
9 090 864	50 ea.

Opening angle limiter for Sensys angle hinges



- ▶ Limitation from 95° to 85°
- ▶ For reducing the opening angle of doors with adjoining elements
- ▶ Avoids damage to the front panel
- ▶ Plastic, black

Order no.	PU
9 072 541	50 ea.

Opening angle limiter for Sensys aluminium frame hinges



- ▶ Limitation from 95° to 85°
- ▶ For reducing the opening angle of doors with adjoining elements
- ▶ Avoids damage to the front panel
- ▶ Plastic, black

Order no.	PU
9 072 542	50 ea.

Aid for installing opening angle limiter



- ▶ Can be used with the following opening angle limiters
Order no. 9 072 540 for Sensys 110° hinges
Order no. 9 072 354 for Sensys 110° hinges
Order no. 9 072 541 for Sensys angle hinges

Order no.	PU
9 081 657	100 ea.

Fast assembly concealed hinge

- ▶ Accessories
- ▶ For Sensys

Fixing screw



- ▶ Self tapping countersunk screw
- ▶ For use with hinges and mounting plates for screwing on in combination with hard materials, such as solid surface material or full core panel
- ▶ Not suitable for use in engineered wood
- ▶ Steel nickel plated

Design	Order no.	PU
for drilling \varnothing 3.6 mm x 8 mm	9 217 435	100 ea.
for drilling \varnothing 5 mm x 8 mm	9 238 321	100 ea.

Fixing screw



- ▶ Self tapping \varnothing 4 x 12 mm countersunk screw
- ▶ For screwing fittings together, e.g. hinge to adapter for glue mounting or mounting plate to adapter for inset doors to front frame
- ▶ Not suitable for use in engineered wood
- ▶ Steel nickel plated

Items	Order no.	PU
Fixing screw	9 076 418	100 ea.

Fast assembly concealed hinge

► Sensys for glass applications



Creating perfect transparency

Furniture featuring glass elements bring a breath of elegance to any living room. With its narrow bonding surfaces, the Sensys hinge for glass applications creates a perfect, pure in design look. Whether classy glass display cabinets or a modern material combination of wood and glass – the hinge unobtrusively blends into the furniture's

overall appearance. Glue mounting also gives you the supremacy to create fronts that stand out from the crowd.

Needless to say, Sensys for glass applications provides the tried and tested user friendly functions that Sensys has to offer.



Move glass stylishly and securely:

Integrated Silent System gently and reliably closes a delicate glass door every time.



Create attractive material combinations:

You can very easily combine Sensys for glass applications with other Sensys products.



Install for a precision fit:

The practical positioning aid ensures that cup and mounting plate are installed for a perfect fit.



hettich.com/short/59c98b

Find out more:

You can get inspiration and further product details on our website.

Fast assembly concealed hinge

- ▶ Sensys for glass applications
- ▶ Summary



Sensys with integrated Silent System for glass applications
Range / application summary

54 - 55



Applications with door and cabinet body side in glass

- ▶ Full overlay
- ▶ Inset door

60 - 61
62



Applications with door in glass

- ▶ Full overlay
- ▶ Inset door

64 - 67
68 - 72



Applications with cabinet body side in glass

- ▶ Full overlay
- ▶ Inset door

74
75



- ▶ Mounting plates
- ▶ Accessories

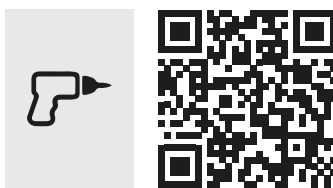
38 - 45
46 - 51



Technical information

- ▶ Fitting information
- ▶ Quality criteria

76 - 78
80



Hettich Technical Assistant - eTools

- ▶ Installation
- ▶ Settings
- ▶ Service

hettich.com/short/300486

Fast assembly concealed hinge

- ▶ Sensys for glass applications
- ▶ Range summary



Fittings for glue mounting

56 - 58



Door and cabinet body side in glass

- ▶ Full overlay
- ▶ Opening angle 135°

60



Door and cabinet body side in glass

- ▶ Full overlay
- ▶ Opening angle 110°

61



Door and cabinet body side in glass

- ▶ Inset door
- ▶ Opening angle 110°

62



Glass door

- ▶ Full overlay
- ▶ Opening angle 135°

64



Glass door

- ▶ Full overlay
- ▶ Opening angle 135°

65



Glass door

- ▶ Overlay door with projection
- ▶ Opening angle 95° / 110°

66



Glass door

- ▶ Overlay door, angled application
- ▶ Opening angle 135°

67



Glass door

- ▶ Inset door
- ▶ Opening angle 165°

68



Glass door

- ▶ Inset door
- ▶ Opening angle 165°

69



Glass door

- ▶ Inset door
- ▶ Opening angle 110°

70



Glass door

- ▶ Inset door
- ▶ Opening angle 110°

71

Fast assembly concealed hinge

- ▶ Sensys for glass applications
- ▶ Range summary



Glass door

- ▶ Inset door, angled application
- ▶ 95° opening angle

72



Cabinet body side in glass

- ▶ Full overlay
- ▶ Opening angle 95° / 110°

74



Cabinet body side in glass

- ▶ Inset door
- ▶ Opening angle 95° / 110°

75



Mounting plates

- ▶ For Sensys

38 - 45



Accessories

- ▶ For Sensys

46 - 51



Technical information

76 - 80

Fast assembly concealed hinge

- ▶ Sensys for glass applications
- ▶ Fittings for glue mounting

Sensys for glass applications, opening angle 110°



- ▶ Sensys hinge with integrated Silent System, concealed hinge for clip on installation
- ▶ Quality classification under EN 15570, Level 3
- ▶ For door thickness of 4 - 8 mm
- ▶ For combination with the housing for glue mounting (must be ordered separately)
- ▶ Including fixing screw
- ▶ Integrated + 2 mm / - 2 mm overlay adjustment
- ▶ Integrated depth adjustment + 3 mm / - 2 mm
- ▶ Steel/nickel plated die-cast zinc

Order no.	PU
9 135 141	2 ea.
9 134 990	50 ea.

Sensys for glass applications, opening angle 165°



- ▶ Sensys hinge with integrated Silent System, concealed hinge for clip on installation
- ▶ Quality classification under EN 15570, Level 3
- ▶ For door thickness of 4 - 8 mm
- ▶ For combination with the housing for glue mounting (must be ordered separately)
- ▶ Including fixing screw
- ▶ Integrated + 2 mm / - 2 mm overlay adjustment
- ▶ Integrated depth adjustment + 3 mm / - 2 mm
- ▶ Steel/nickel plated die-cast zinc

Order no.	PU
9 135 140	2 ea.
9 134 989	50 ea.

Housing for glue mounting



- ▶ For combining with Sensys hinges for glass applications
- ▶ Bonding surface 28 x 59 mm
- ▶ Nickel plated die-cast zinc

Order no.	PU
9 116 092	2 ea.
9 116 339	50 ea.

Fast assembly concealed hinge

- ▶ Sensys for glass applications
- ▶ Fittings for glue mounting

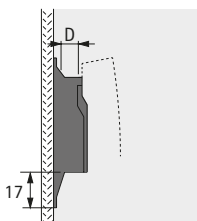
Adapter for glue mounting



- ▶ For combining with screw on Sensys hinges from the standard range
- ▶ VE2, including fixing screws / for VE50 fixing screws, please order separately
- ▶ Nickel plated die-cast zinc

Items	Order no.	PU
Adapter for glue mounting	9 081 923	2 ea.
Adapter for glue mounting	9 076 738	50 ea.
Fixing screw	9 076 418	100 ea.

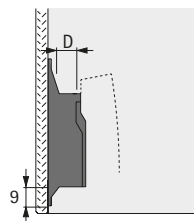
Sensys mounting plate for glue mounting



- ▶ Quality classification under EN 15570, Level 3
- ▶ Mounting plate can be combined with all Sensys hinges
- ▶ Bonding surface 28 x 74 mm
- ▶ Direct height adjustment + 3 mm / - 3 mm
- ▶ Nickel plated die-cast zinc

Distance D mm	Order no.	PU
10.0	9 133 536	2 ea.
10.0	9 133 540	50 ea.

Sensys mounting plate for glue mounting



- ▶ Quality classification under EN 15570, Level 3
- ▶ Mounting plate can be combined with all Sensys hinges
- ▶ Bonding surface 28 x 74 mm
- ▶ Direct height adjustment + 3 mm / - 3 mm
- ▶ Nickel plated die-cast zinc

Distance D mm	Order no.	PU
10.0	9 133 534	2 ea.
10.0	9 133 538	50 ea.

Advice

- | | |
|---|---------|
| ▶ Application summary | 54 - 55 |
| ▶ Advice on installing fittings for glue mounting | 79 |
| ▶ Technical information | 76 - 79 |



hettich.com/short/098580

Fast assembly concealed hinge

- ▶ Sensys for glass applications
- ▶ Assembly aids

Aid for positioning mounting plate for glue mounting



- ▶ Aid for positioning the mounting plate for glue mounting
- ▶ Engagement function for adjusting with millimetre precision
- ▶ Simple adjustment of required gluing dimension K
- ▶ Adjustment range: 2 - 80 mm
- ▶ Plastic, anthracite

Order no.	PU
9 227 397	1 ea.

Aid for positioning the housing for glue mounting



- ▶ Aid for positioning the housing for glue mounting
- ▶ Engagement function for adjusting with millimetre precision
- ▶ Simple adjustment of required gluing dimension K
- ▶ Adjustment range: 2 - 30 mm
- ▶ Plastic, anthracite

Order no.	PU
9 134 988	1 ea.

Aid for positioning the adapter for glue mounting



- ▶ Aid for positioning the adapter for glue mounting
- ▶ Engagement function for adjusting with millimetre precision
- ▶ Simple adjustment of required gluing dimension K
- ▶ Adjustment range: 2 - 23 mm
- ▶ Plastic, anthracite

Order no.	PU
9 227 396	1 ea.

Advice

- | | |
|---|---------|
| ▶ Application summary | 54 - 55 |
| ▶ Advice on installing fittings for glue mounting | 79 |
| ▶ Technical information | 76 - 79 |



hettich.com/short/658681

Fast assembly concealed hinge

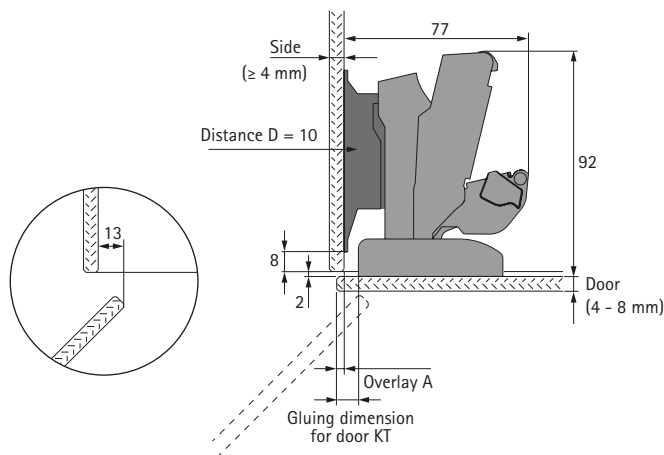
- ▶ Sensys for glass applications
- ▶ Applications with door and cabinet body side in glass

Summary



- ▶ Full overlay
- ▶ Door thickness 4 - 8 mm
- ▶ Opening angle 135°

Door mounting side



Calculation of gluing dimension for door KT

- ▶ $KT = \text{overlay } A + 6 \text{ mm}$
- ▶ $KT \text{ min.} = 2 \text{ mm}$
- ▶ $KT \text{ max.} = 23 \text{ mm}$

Choosing the right fittings

Items	Order no. / PU	
	2 ea.	50 ea.
Sensys for glass applications	9 135 140	9 134 989
Housing	9 116 092	9 116 339
Mounting plate D10	9 133 536	9 133 540
135° opening angle limiter		9 090 864
Hinge arm cover cap		9 099 871

Fast assembly concealed hinge

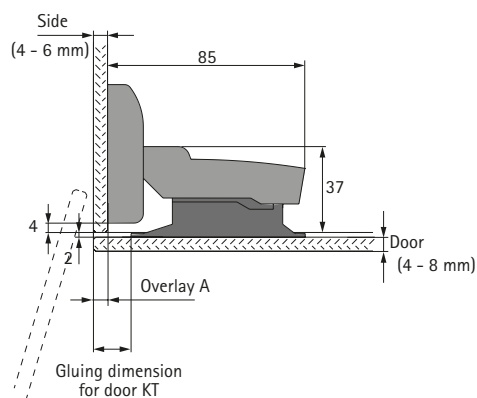
- ▶ Sensys for glass applications
- ▶ Applications with door and cabinet body side in glass

Summary



- ▶ Full overlay
- ▶ Door thickness 4 - 8 mm
- ▶ Opening angle 110°

Door mounting side



Please note:

- ▶ On opening, the door moves round next to the cabinet body, please allow for appropriate clearance!
- ▶ Mounting plate is fitted on the door, hinge on the cabinet body side

Calculation of gluing dimension for door KT

- ▶ $KT = \text{overlay A} + 10 \text{ mm}$
- ▶ $KT \text{ min.} = 2 \text{ mm}$
- ▶ $KT \text{ max.} = 16 \text{ mm}$

Choosing the right fittings

Items	Order no. / PU	
	2 ea.	50 ea.
Sensys for glass applications	9 135 141	9 134 990
Housing	9 116 092	9 116 339
Mounting plate D10	9 133 536	9 133 540
Hinge arm cover cap		9 088 250

Fast assembly concealed hinge

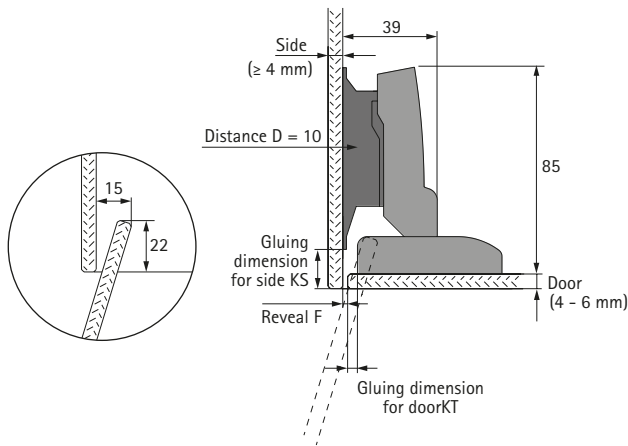
- ▶ Sensys for glass applications
- ▶ Applications with door and cabinet body side in glass

Summary



- ▶ Inset door
- ▶ Door thickness 4 - 6 mm
- ▶ Opening angle 110°

Door mounting side



Calculation of gluing dimension for door KT

- ▶ $KT = 6 \text{ mm} - \text{reveal } F$
- ▶ $KT \text{ min.} = 2 \text{ mm}$
- ▶ $KT \text{ max.} = 4 \text{ mm}$
- ▶ $F \text{ min.} = 2 \text{ mm}$

Calculation of gluing dimension for side KS

- ▶ $KS = \text{door thickness} + 10 \text{ mm}$
- ▶ $KS \text{ min.} = 2 \text{ mm}$
- ▶ $KS \text{ max.} = 16 \text{ mm}$

Choosing the right fittings

Items	Order no. / PU	
	2 ea.	50 ea.
Sensys for glass applications	9 135 141	9 134 990
Housing	9 116 092	9 116 339
Mounting plate D10	9 133 536	9 133 540
Hinge arm cover cap		9 088 250

Fast assembly concealed hinge

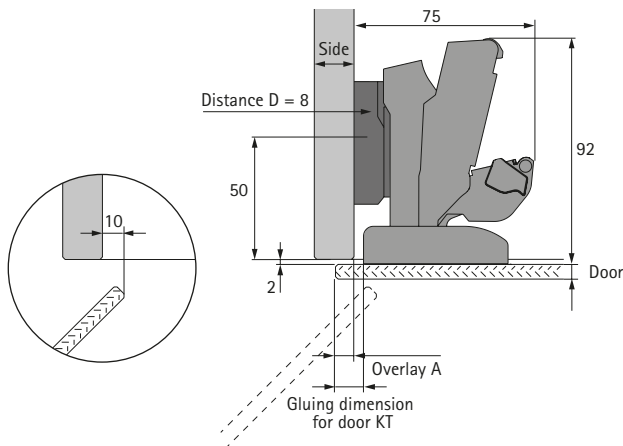
- ▶ Sensys for glass applications
- ▶ Applications with door in glass

Summary



- ▶ Full overlay
- ▶ Door thickness 4 - 8 mm
- ▶ Opening angle 135°

Door mounting side



Calculation of gluing dimension for door KT

- ▶ $KT = \text{overlay } A + 4 \text{ mm}$
- ▶ $KT \text{ min.} = 2 \text{ mm}$
- ▶ $KT \text{ max.} = 21 \text{ mm}$

Choosing the right fittings

Items	Order no. / PU	
	2 ea.	50 ea.
Sensys for glass applications	9 135 140	9 134 989
Housing	9 116 092	9 116 339
Mounting plate D8*		9 075 009
135° opening angle limiter		9 090 864
Hinge arm cover cap		9 099 871

Important advice:

* Screw on mounting plate with oblong hole height adjustment for 37 mm hole line (exemplary choice, every Sensys mounting plate with the specified distance can be used)

Fast assembly concealed hinge

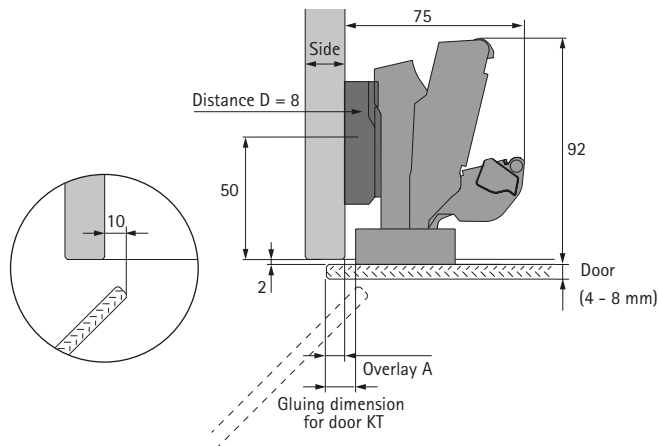
- ▶ Sensys for glass applications
- ▶ Applications with door in glass

Summary



- ▶ Full overlay
- ▶ Door thickness 4 - 8 mm
- ▶ Opening angle 135°

Door mounting side



Calculation of gluing dimension for door KT

- ▶ $KT = \text{overlay } A + 4 \text{ mm}$
- ▶ $KT \text{ min.} = 2 \text{ mm}$
- ▶ $KT \text{ max.} = 21 \text{ mm}$

Choosing the right fittings

Items	Order no. / PU	
	2 ea.	50 ea.
Sensys wide angle hinge*		9 099 550
Adapter*	9 081 923	9 076 738
Mounting plate D8*		9 075 009
135° opening angle limiter		9 090 864
Hinge arm cover cap		9 099 871
Hinge cup cover cap		9 088 251

Important advice:

* Sensys wide angle hinge with integrated Silent System, for half overlay doors, hole pattern 52 x 5.5, for screwing on

* Adapter VE2 including fixing screws / for VE50 please order fixing screws separately (order no. 9 076 418)

* Screw on mounting plate with oblong hole height adjustment for 37 mm hole line (exemplary choice, every Sensys mounting plate with the specified distance can be used)

Fast assembly concealed hinge

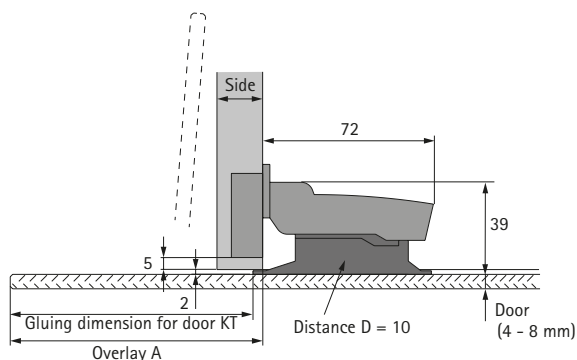
- ▶ Sensys for glass applications
- ▶ Applications with door in glass

Summary



- ▶ Full overlay
- ▶ Door thickness 4 - 8 mm
- ▶ Opening angle 95° / 110°

Door mounting side



Please note:

- ▶ On opening, the door moves round next to the cabinet body, please allow for appropriate clearance!
- ▶ Mounting plate is fitted on the door, hinge on the cabinet body side

Calculation of gluing dimension for door KT

- ▶ $KT = \text{overlay } A - 4 \text{ mm}$
- ▶ $KT \text{ min.} = 2 \text{ mm}$
- ▶ for max. KT, see table

Cabinet side thickness mm	max. overlay mm	KT max. mm	Opening angle	Hinge
19	105	101	95°	Thick door hinge
19	26	22	110°	110°-hinge
16	135	131	95°	Thick door hinge
16	35	31	110°	110°-hinge
13	44	40	110°	Thin door hinge
10	44	40	110°	Thin door hinge

Choosing the right fittings

Items	Order no. / PU	
	2 ea.	50 ea.
Sensys 110° hinge*		9 073 606
Sensys thick door hinge*		9 091 410
Sensys thin door hinge*		9 094 280
Mounting plate D10	9 133 536	9 133 540
Hinge arm cover cap		9 088 250
Hinge cup cover cap		9 088 251

Important advice:

* Hinge with integrated Silent System, for half overlay doors, hole pattern 52 x 5.5, for screwing on; (exemplary choice, every Sensys hinge shown for half overlay doors can be used)

Fast assembly concealed hinge

- ▶ Sensys for glass applications
- ▶ For angled applications with door in glass

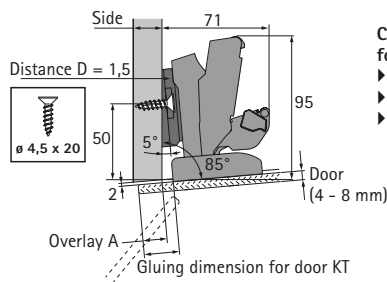
Summary



- ▶ Full overlay
- ▶ Door thickness 4 - 8 mm
- ▶ Opening angle 135°

* Mounting plate with oblong hole height adjustment for 37 mm hole line, for screwing on

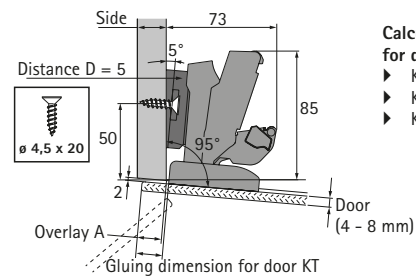
85° face angle



Calculation of gluing dimension for door KT

- ▶ $KT = \text{overlay A} + 7 \text{ mm}$
- ▶ $KT \text{ min.} = 2 \text{ mm}$
- ▶ $KT \text{ max.} = 23 \text{ mm}$

95° face angle



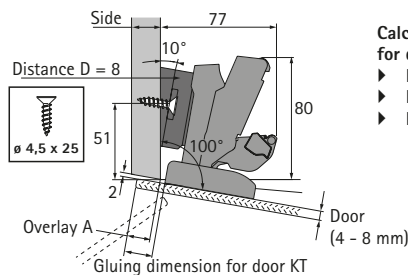
Calculation of gluing dimension for door KT

- ▶ $KT = \text{overlay A} + 2 \text{ mm}$
- ▶ $KT \text{ min.} = 2 \text{ mm}$
- ▶ $KT \text{ max.} = 23 \text{ mm}$

Items	Order no. / PU	
	2 ea.	50 ea.
Sensys for glass applications	9 135 140	9 134 989
Housing	9 116 092	9 116 339
Mounting plate D1.5*		9 075 006
-5° angle adapter		9 237 120
135° opening angle limiter		9 090 864
Hinge arm cover cap		9 099 871

Items	Order no. / PU	
	2 ea.	50 ea.
Sensys for glass applications	9 135 140	9 134 989
Housing	9 116 092	9 116 339
Mounting plate D5*		9 075 008
5° angle adapter		9 072 533
135° opening angle limiter		9 090 864
Hinge arm cover cap		9 099 871

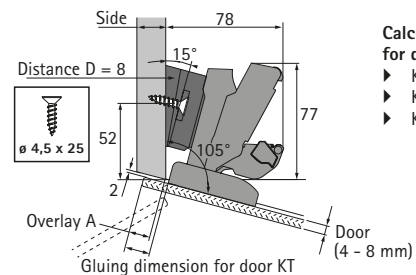
100° face angle



Calculation of gluing dimension for door KT

- ▶ $KT = \text{overlay A} + 3 \text{ mm}$
- ▶ $KT \text{ min.} = 2 \text{ mm}$
- ▶ $KT \text{ max.} = 23 \text{ mm}$

105° face angle



Calculation of gluing dimension for door KT

- ▶ $KT = \text{overlay A} + 2 \text{ mm}$
- ▶ $KT \text{ min.} = 2 \text{ mm}$
- ▶ $KT \text{ max.} = 23 \text{ mm}$

Items	Order no. / PU	
	2 ea.	50 ea.
Sensys for glass applications	9 135 140	9 134 989
Housing	9 116 092	9 116 339
Mounting plate D8*		9 075 009
10° angle adapter		9 072 534
135° opening angle limiter		9 090 864
Hinge arm cover cap		9 099 871

Items	Order no. / PU	
	2 ea.	50 ea.
Sensys for glass applications	9 135 140	9 134 989
Housing	9 116 092	9 116 339
Mounting plate D8*		9 075 009
5° angle adapter		9 072 533
10° angle adapter		9 072 534
135° opening angle limiter		9 090 864
Hinge arm cover cap		9 099 871

Fast assembly concealed hinge

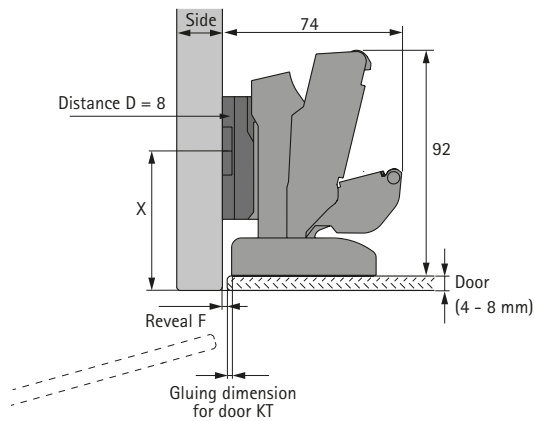
- ▶ Sensys for glass applications
- ▶ Applications with door in glass

Summary



- ▶ Inset door
- ▶ Door thickness 4 - 8 mm
- ▶ Opening angle 165°

Door mounting side



Calculation of gluing dimension for door KT

- ▶ KT = 2 mm
- ▶ KT min. = 2 mm
- ▶ KT max. = 2 mm
- ▶ F min. = 2 mm

Screw mounting position the mounting plate X

- ▶ Cross mounting plate LR 37: X = 52 mm + door thickness

Choosing the right fittings

Items	Order no. / PU	
	2 ea.	50 ea.
Sensys for glass applications	9 135 140	9 134 989
Housing	9 116 092	9 116 339
Mounting plate D8*		9 075 009
Hinge arm cover cap		9 099 871

Important advice:

* Screw on mounting plate with oblong hole height adjustment for 37 mm hole line (exemplary choice, every Sensys mounting plate with the specified distance can be used)

Fast assembly concealed hinge

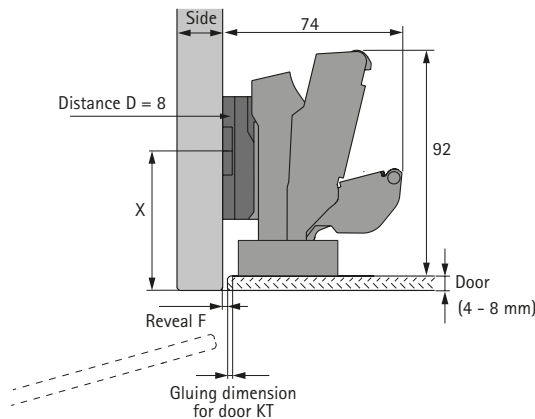
- ▶ Sensys for glass applications
- ▶ Applications with door in glass

Summary



- ▶ Inset door
- ▶ Door thickness 4 - 8 mm
- ▶ Opening angle 165°

Door mounting side



Calculation of gluing dimension for door KT

- ▶ KT = 2 mm
- ▶ KT min. = 2 mm
- ▶ KT max. = 2 mm
- ▶ F min. = 2 mm

Screw mounting position the mounting plate X

- ▶ Cross mounting plate LR 37: X = 52 mm + door thickness

Choosing the right fittings

Items	Order no. / PU	
	2 ea.	50 ea.
Sensys wide angle hinge*		9 099 550
Adapter*	9 081 923	9 076 738
Mounting plate D8*		9 075 009
Hinge arm cover cap		9 099 871
Hinge cup cover cap		9 088 251

Important advice:

* Sensys wide angle hinge with integrated Silent System, for half overlay doors, hole pattern 52 x 5.5, for screwing on

* Adapter VE2 including fixing screws / for VE50 please order fixing screws separately (order no. 9 076 418)

* Screw on mounting plate with oblong hole height adjustment for 37 mm hole line (exemplary choice, every Sensys mounting plate with the specified distance can be used)

Fast assembly concealed hinge

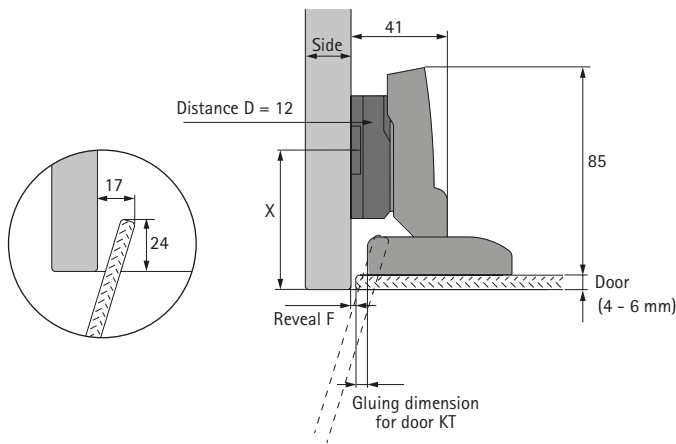
- ▶ Sensys for glass applications
- ▶ Applications with door in glass

Summary



- ▶ Inset door
- ▶ Door thickness 4 - 6 mm
- ▶ Opening angle 110°

Door mounting side



Calculation of gluing dimension for door KT

- ▶ $KT = 8 - \text{reveal } F$
- ▶ $KT \text{ min.} = 2 \text{ mm}$
- ▶ $KT \text{ max.} = 6 \text{ mm}$
- ▶ $F \text{ min.} = 2 \text{ mm}$

Screw mounting position the mounting plate X

- ▶ Cross mounting plate LR 37: $X = 52 \text{ mm} + \text{door thickness}$

Choosing the right fittings

Items	Order no. / PU	
	2 ea.	50 ea.
Sensys for glass applications	9 135 141	9 134 990
Housing	9 116 092	9 116 339
Adapter plate D0*		9 106 989
Parallel adapter D12		9 072 538
Hinge arm cover cap		9 088 250

Important advice:

* Screw on adapter plate (exemplary choice, every adapter plate with the specified distance can be used)

Fast assembly concealed hinge

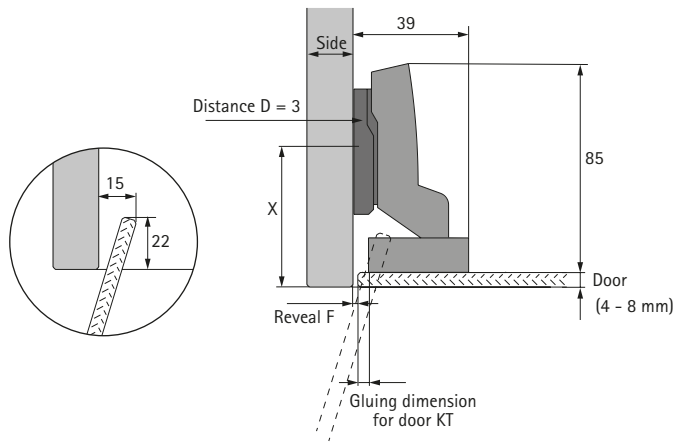
- ▶ Sensys for glass applications
- ▶ Applications with door in glass

Summary



- ▶ Inset door
- ▶ Door thickness 4 - 8 mm
- ▶ Opening angle 95° / 110°

Door mounting side



Calculation of gluing dimension for door KT

- ▶ $KT = 6 - \text{reveal } F$
- ▶ $KT \text{ min.} = 2 \text{ mm}$
- ▶ $KT \text{ max.} = 4 \text{ mm}$
- ▶ $F \text{ min.} = 2 \text{ mm}$

Screw mounting position the mounting plate X

- ▶ Linear mounting plate LR 20: $X = 35 \text{ mm} + \text{door thickness}$
- ▶ Cross mounting plate LR 37: $X = 52 \text{ mm} + \text{door thickness}$

Hinge selection

Door thickness mm	Opening angle	Hinge
4 - 6	110°	110° standard hinge
4 - 8	95°	Thick door hinge

Choosing the right fittings

Items	Order no. / PU	
	2 ea.	50 ea.
Sensys 110° hinge*		9 073 607
Sensys thick door hinge*		9 091 420
Adapter*	9 081 923	9 076 738
Mounting plate D3*		9 075 007
Hinge arm cover cap		9 088 250
Hinge cup cover cap		9 088 251

Important advice:

* Hinge with integrated Silent System, for inset doors, hole pattern 52 x 5.5, for screwing on

* Adapter VE2 including fixing screws / for VE50 please order fixing screws separately (order no. 9 076 418)

* Screw on mounting plate with oblong hole height adjustment for 37 mm hole line (exemplary choice, every Sensys mounting plate with the specified distance can be used)

Fast assembly concealed hinge

- ▶ Sensys for glass applications
- ▶ For angled applications with door in glass

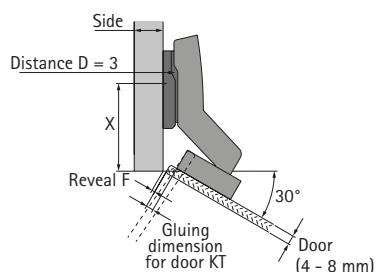
Summary



- ▶ Inset door
- ▶ Door thickness 4 - 8 mm
- ▶ 95° opening angle

* Hinge with integrated Silent System, for inset doors, hole pattern 52 x 5.5, for screwing on
 * Adapter VE2 including fixing screws / for VE50 please order fixing screws separately (order no. 9 076 418)
 * Screw on mounting plate with oblong hole height adjustment for 37 mm hole line (exemplary choice, every Sensys mounting plate with the specified distance can be used)

120° face angle



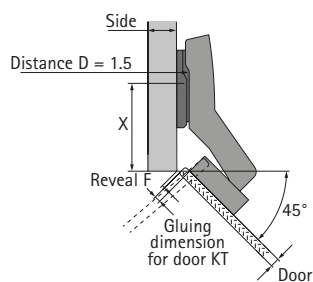
Calculation of gluing dimension for door KT

- ▶ $KT = 7 - \text{reveal } F$
- ▶ $KT \text{ min.} = 2 \text{ mm}$
- ▶ $KT \text{ max.} = 5 \text{ mm}$
- ▶ $F \text{ min.} = 2 \text{ mm}$

Position for screw mounting the mounting plate X

- ▶ Linear mounting plate LR 20:
 $X = 33 \text{ mm} + 1.16 \times \text{door thickness}$
- ▶ Cross mounting plate LR 37:
 $X = 50 \text{ mm} + 1.16 \times \text{door thickness}$

135° face angle



Calculation of gluing dimension for door KT

- ▶ $KT = 6 - \text{reveal } F$
- ▶ $KT \text{ min.} = 2 \text{ mm}$
- ▶ $KT \text{ max.} = 4 \text{ mm}$
- ▶ $F \text{ min.} = 2 \text{ mm}$

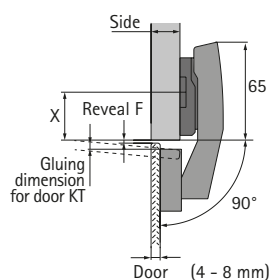
Position for screw mounting the mounting plate X

- ▶ Linear mounting plate LR 20:
 $X = 32 \text{ mm} + 1.41 \times \text{door thickness}$
- ▶ Cross mounting plate LR 37:
 $X = 49 \text{ mm} + 1.41 \times \text{door thickness}$

Items	Order no. / PU	
	2 ea.	50 ea.
Sensys W30 hinge*		9 088 017
Adapter*	9 081 923	9 076 738
Mounting plate D3*		9 075 007
Hinge arm cover cap		9 088 250
Hinge cup cover cap		9 088 251

Items	Order no. / PU	
	2 ea.	50 ea.
Sensys W45 hinge*		9 088 020
Adapter*	9 081 923	9 076 738
Mounting plate D1.5*		9 075 006
Hinge arm cover cap		9 088 250
Hinge cup cover cap		9 088 251

180° face angle



Calculation of gluing dimension for door KT

- ▶ $KT = 6 - \text{reveal } F$
- ▶ $KT \text{ min.} = 2 \text{ mm}$
- ▶ $KT \text{ max.} = 4 \text{ mm}$
- ▶ $F \text{ min.} = 2 \text{ mm}$

Calculation distance mounting plate

- ▶ $D = 18 \text{ mm} - \text{cabinet side thickness} + \text{door thickness}$
- Position for screw mounting the mounting plate X
- ▶ Cross mounting plate LR 37:
 $X = 31.5 \text{ mm}$

Items	Order no. / PU	
	2 ea.	50 ea.
Sensys W90 hinge*		9 088 021
Adapter*	9 081 923	9 076 738
Hinge arm cover cap		9 088 250
Hinge cup cover cap		9 088 251

Fast assembly concealed hinge

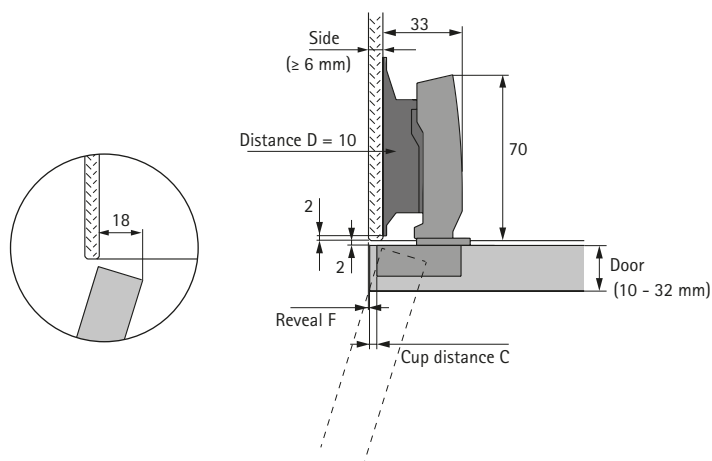
- ▶ Sensys for glass applications
- ▶ Applications with cabinet body side in glass

Summary



- ▶ Full overlay
- ▶ Door thickness 10 - 32 mm
- ▶ Opening angle 95° / 110°

Door mounting side



Calculation cup distance C

- ▶ Cup distance C = cabinet side thickness - reveal - 2.5 mm
- ▶ Cabinet side thickness min. = 6 mm
- ▶ Cup distance min. = 3 mm

Hinge selection

Door thickness mm	Opening angle	Hinge
10 - 16	110°	Thin door hinge
15 - 19	110°	110° hinge
15 - 32	95°	Thick door hinge

Choosing the right fittings

Items	Order no. / PU	
	2 ea.	50 ea.
Sensys 110° hinge*		9 073 605
Sensys thick door hinge*		9 091 400
Sensys thin door hinge*		9 094 270
Mounting plate D10	9 133 534	9 133 538
Hinge arm cover cap		9 088 250
Hinge cup cover cap		9 088 251

Important advice:

* Hinge with integrated Silent System, for full overlay doors, hole pattern 52 x 5.5, for screwing on; (exemplary choice, every Sensys hinge shown for full overlay doors can be used)

Fast assembly concealed hinge

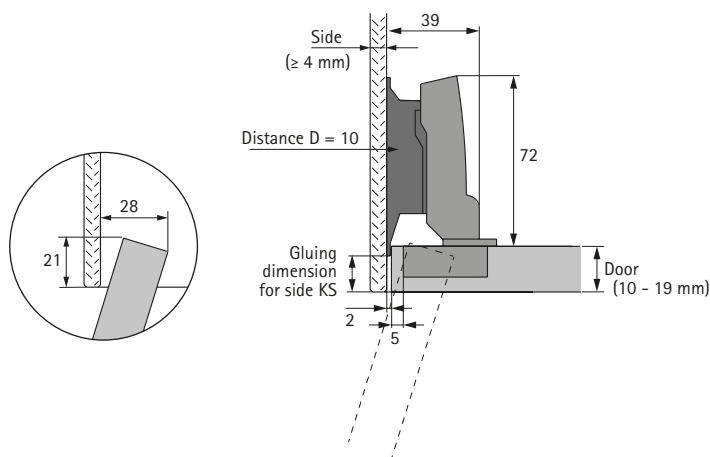
- ▶ Sensys for glass applications
- ▶ Applications with cabinet body side in glass

Summary



- ▶ Inset door
- ▶ Door thickness 10 - 19 mm
- ▶ Opening angle 95° / 110°

Door mounting side



Calculation of gluing dimension for side KS

- ▶ $KS = \text{door thickness} - 4 \text{ mm}$
- ▶ $KS \text{ min.} = 2 \text{ mm}$
- ▶ $KS \text{ max.}$, see table

Hinge selection

Door thickness mm	Gluing dimension side KS max.	Opening angle	Hinge
19	101	95°	Thick door hinge
19	22	110°	110° standard hinge
16	131	95°	Thick door hinge
16	31	110°	110° standard hinge
13	40	110°	Thin door hinge
10	40	110°	Thin door hinge

Choosing the right fittings

Items	Order no. / PU	
	2 ea.	50 ea.
Sensys 110° hinge*		9 073 606
Sensys thick door hinge*		9 091 410
Sensys thin door hinge*		9 094 280
Mounting plate D10	9 133 536	9 133 540
Hinge arm cover cap		9 088 250
Hinge cup cover cap		9 088 251

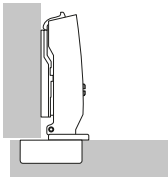
Important advice:

* Hinge with integrated Silent System, for half overlay doors, hole pattern 52 x 5.5, for screwing on; (exemplary choice, every Sensys hinge shown for half overlay doors can be used)

Technical information

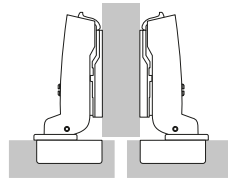
- ▶ Sensys
- ▶ Fitting information

Full overlay door



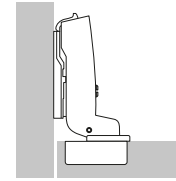
The door is in front of the cabinet side and only a small gap remains at the side within which the door can open reliably. Alternatively, the door can also be fully overlaid. In this case sufficient space must be allowed at the side for the required minimum reveal. Straight hinges are used.

Half overlay door



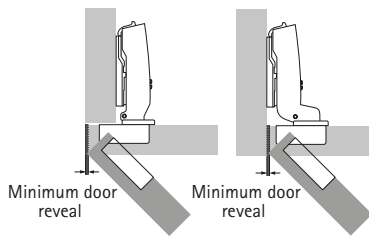
This is where two doors are positioned in front of a cabinet centre panel, with the required overall reveal between them (at least 2 x minimum reveal). In other words, each door has a smaller overlay and cranked hinges are therefore used.

Inset door



The door is positioned inside the cabinet body, i.e. next to the cabinet body side. Here too, a gap is needed so that the door can open reliably. Highly cranked hinges are used here. For an inset door, the mounting plate must be set back by the thickness of the door + 1 mm as well as by any any chosen door offset.

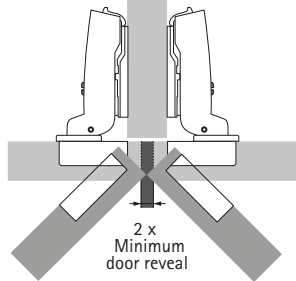
Minimum reveal



For full overlay and inset doors

The minimum reveal (also known as the door clearance or minimum clearance) is the space required at the side so that the door can open. The size of the minimum reveal depends on the cup distance C, the door thickness and the type of hinge selected. Radii on the door edges reduce the door clearance. The minimum reveal is shown in the table for the respective hinge types.

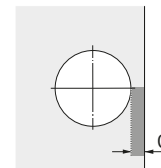
Minimum reveal



For half overlay doors

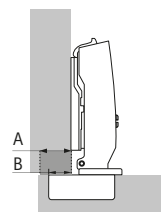
The total reveal selected between the doors must be at least twice the door clearance. Both doors can then be opened at the same time.

Cup distance C



Cup distance C is the distance between door edge and the edge of the cup drilling. The greater the distance selected for cup distance C, the smaller door clearance will be, i.e. the minimum reveal required.

Overlay / Base



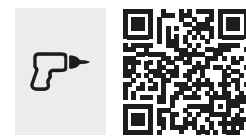
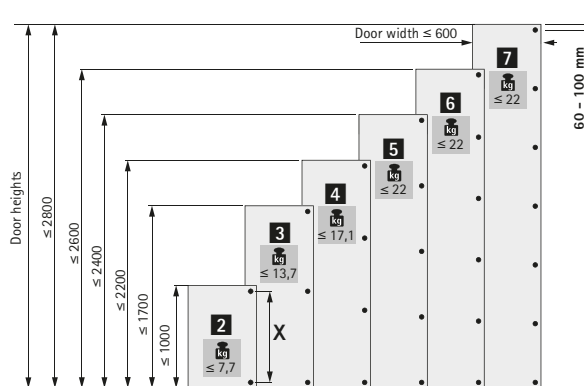
A = Overlay
B = Base

Overlay refers to the projection of the door in front of the cabinet body side. Base refers to the projection of the cup in front of the cabinet body side for a mounting plate distance of 0 mm.

Number of hinges per door

Door width, height and weight as well as the material quality of the door are decisive factors determining the number of hinges required.

The factors encountered in practice differ widely from case to case. For this reason, the number of hinges specified in the diagram must be understood as a guide only. If in doubt, it is recommended to carry out a trial mounting and adjust the number of hinges as necessary. For reasons of stability, space X between the hinges must always be made as large as possible. Distance X must be at least 280 mm.



hettich.com/short/c6aabf

Technical information

- ▶ Sensys
- ▶ Fitting information

General calculation of distances

Mounting plates are available in various distances. The effective height of the mounting plate is defined by distance D. Distance D is embossed on the top of each mounting plate. A larger distance D reduces overlay for full and half overlay applications. On inset doors, a larger distance D increases the door reveal. Before determining the required distance,

check whether the desired reveal is equal to or greater than the required minimum reveal. If the desired reveal is less than the required minimum reveal, the required minimum reveal can be reduced by increasing cup distance C or by producing radii on the door edges.

Calculation of distances

For full overlay and half overlay doors

The required distance D can be determined after checking the minimum reveal. Ideally, door overlay and cup distance should be selected to produce distance D that is available as mounting plate.

Example: Working out distances according to the table

Overlay = 14 mm and cup distance C = 4.5 mm yield a distance D equal to 3.0 mm.

Example: Working out distances with calculation formula

Hinge for full overlay, base B = 12.5 mm
 Distance D = Cup distance C + base B - overlay A
 Distance D = 4.5 mm + 12.5 mm - 14 mm = 3.0 mm

Intermediate distances not available as mounting plate distances are achieved by adjusting the hinge overlay.

Overlay mm	Cup distance C mm					
	3,0	4,0	4,5	5,0	6,0	7,0
	Distance D mm					
10	5,5	6,5	7,0	7,5	8,5	9,5
11	4,5	5,5	6,0	6,5	7,5	8,5
12	3,5	4,5	5,0	5,5	6,5	7,5
13	2,5	3,5	4,0	4,5	5,5	6,5
14	1,5	2,5	3,0	3,5	4,5	5,5
15	0,5	1,5	2,0	2,5	3,5	4,5
16		0,5	1,0	1,5	2,5	3,5
17			0,0	0,5	1,5	2,5
18					0,5	1,5
19						0,5

Calculation of distances

For inset doors

When calculating the mounting plate distance using the table for inset doors, allowance is automatically made for the reveal that is shown as the minimum reveal produced by cup distance C and door thickness in the table of minimum reveals. If a reveal is to be produced that is larger than this minimum reveal, select a mounting plate distance of the appropriate size.

Example: Working out distances according to the table

From the table, a door thickness = 20 mm and cup distance C = 4.5 mm produce a mounting-plate distance of 1.5 mm. This creates the required minimum reveal of 1 mm, for example. If a reveal of 2.5 mm is required instead, the selected mounting-plate distance must be correspondingly 1.5 mm larger. In this example, therefore, a distance of 3 mm instead of 1.5 mm.

Example: Working out distances with calculation formula

Hinge for inset application, base value B = - 4 mm
 Distance D = Cup distance C + base B + reveal F
 Distance D = 4.5 mm - 4 mm + 1 mm = 1.5 mm

Intermediate distances not available as mounting plate distances are achieved by adjusting the hinge overlay.

Door thickness mm	Cup distance C mm					
	3,0	4,0	4,5	5,0	6,0	7,0
	Distance D mm					
15		0,2	0,7	1,2	2,2	3,2
16		0,3	0,8	1,3	2,3	3,3
17		0,4	0,9	1,4	2,4	3,4
18		0,6	1,1	1,6	2,6	3,5
19		0,8	1,3	1,8	2,7	3,7
20		0,1	1,0	1,5	2,0	3,0
21		0,4	1,3	1,8	2,3	3,2
22		1,2	1,8	2,2	2,6	3,6

Technical information

- ▶ Sensys thin door hinge
- ▶ Fitting information for thin materials

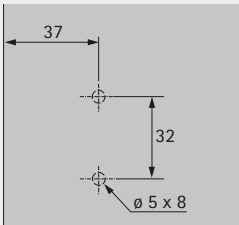
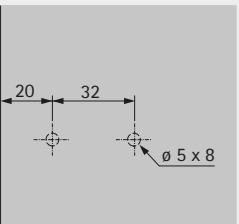
Cup mounting versions for thin door materials from a thickness of 10 mm

Door material	Cup assembly	Mounting hole ø x T mm	Fixing screw
Chipboard, MDF	For pressing in	Drilling pattern TH 52 x 5,5 mm: ø 10 x 8	-
	Expanding sockets TH 58 TB 58	Drilling pattern TB 45 x 9,5 mm: ø 8 x 8 Drilling pattern TS 48 x 6 mm: ø 10 x 8	
Aluminium, HPL, solid surface material	For screwing on	ø 3,6 x 8 ø 5 x 8	9 217 435 9 238 321

Note:

The method selected for attaching the hinge must be suitable for the type and quality of door material and tested for a secure fit.

Cup mounting versions for thin cabinet body materials from a thickness of 10 mm

Cabinet material	Mounting plate	Drilling pattern	Fixing screw
Chipboard, MDF	Cross mounting plate with direct height adjustment with premounted short Euro screws	Cross mounting plate 	premounted at cross mounting plate
Aluminium, HPL, solid surface material	Linear or cross mounting plate for screwing on	Linear mounting plate 	9 238 321

Note:

The method selected for attaching the mounting plate must be suitable for the type and quality of door material and tested for a secure fit.

Technical information

- ▶ Sensys for glass applications
- ▶ Advice on installing fittings for glue mounting

Complexity of bonding

Providing a permanent and therefore secure bond between a fitting and a furniture front depends on numerous factors which are beyond Hettich's control. For this reason, the fabricator must always take into consideration the factors outlined below by way of example.

Variety of materials and surface finishes for furniture fronts

Glass, for example, is among the materials that are bonded in furniture making. However, different glass types can have very different features. For instance, there is glass that is covered with film (in some cases also with mirror film), laminated glass (sometimes with embedded film that lets no UV light through), toughened glass (single pane safety glass) or coloured float glass. The nature of the surface finish also influences the choice of adhesive and gluing method. Examples include textured surfaces, roughened (satinised) or lacquered surfaces.



Defining the adhesive

The choice of adhesive depends on material selected. Often, for example, bonds with glass are made using UV adhesives which harden after exposure to a UV light source. However, it is not always possible to use this form of adhesive owing to the limited light transmissivity of some glass types for example. In such instances, other suitable adhesives, such as two component adhesives, must be used.

Bonding method

Depending on the adhesive chosen, a suitable gluing method must be applied correctly. With bonds made using UV hardening adhesives, for instance, attention must not only be paid to ensuring clean bonding surfaces but also to other factors, such as the distance and radiation field of the UV light source, exposure duration and the temperature of the materials being glued together as well as to the temperature of the surrounding area.

Long term bond stability

Influencing factors, such as temperature, humidity, excessive static or dynamic loads (e.g. from overly heavy doors) can in the long run reduce the stability of a bond. The fabricator must therefore assess the resultant residual risk of a bond failing. Borderline constructions must be avoided.

Suitability of the bonding surface

The surfaces to which the fittings are bonded must be suitable both for bonding with UV curing as well as with two component adhesives / bonding methods. Relevant tests were passed in combination with various door materials. The adhesives used / bonding methods used in these tests are shown below.

Tests passed:

- Endurance test, horizontal / vertical test, safety test to DIN EN 15570 Level 3
- Salt spray test (SST) to DIN EN ISO 9227-2012, 2 x 24h
- Wear test in an alternating atmosphere (40°C / 90% r.h. / 5°C)

Note: from the results presented here it is not possible to draw any general conclusions with regard to the suitability of the specified adhesive and gluing method for other application cases / materials.

Conclusion

Given the numerous influencing factors mentioned, it is not possible to provide any generally binding specification on adhesive and gluing methods for the various application cases. In the event of any doubt, fabricators must carry out their own tests. It is recommended to instruct a specialised fabricator to mount bonded fittings as well as select the appropriate adhesive and bonding method.

Door material	Adhesive		
	Manufacturer	Designation	Bonding method
Toughened safety glass, transparent, without any special coating	Delo	PB437	UV curing
Aluminium, anodised (e.g. Kohlstädt GmbH)	Delo	PUR 9694	two component
Egger, high pressure laminate (HPL) W1000 ST9	Delo	PUR 9694	two component
Ceramic, neolith	Delo	PUR 9694	two component
Scholl glass, toughened safety glass lacquered on one side Hydro-PUR glass colour lacquer HDB 5710	Delo	PUR 9694	two component
Scholl glass, toughened safety glass, clear, optiwhite	Delo	PUR 9694	two component

Quality criteria

► Concealed hinges

Quality that meets all the demands

Quality that meets all the demands

The quality of hinges is subject to a process of continuous monitoring. Hettich fittings comply with the national and international quality standards of the markets our customers operate in. The diagrams below show examples of the principles behind some of the testing processes.

Application

Hettich hinges can be used in living room, kitchen, bathroom and office furniture.

Load capacity

The quality levels indicated on products comply with the requirements of EN 15570 and satisfy the overload tests at the specified level. We will be pleased to provide any further information you may require.

Corrosion test

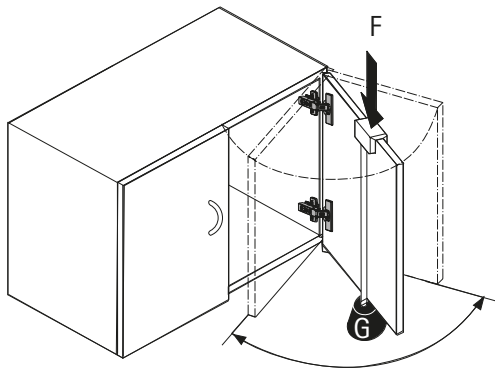
Hettich hinges satisfy the corrosion requirements under EN ISO 9227-2012 in accordance with the 48 h neutral salt spray test (NSS) as well as DIN EN ISO 6270-2-2012 in accordance with the 96 h alternating condensation water climate test with alternating air humidity and temperature (AHT).

Quality assurance

The processes for assuring the quality of Hettich hinges are certified under EN ISO 9001, Cert. No. DE8000209.

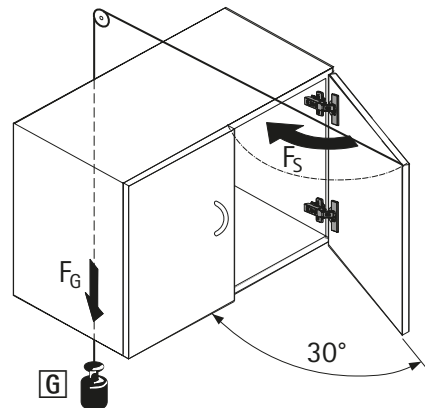
Endurance test

The door is subjected to a specific number of opening and closing cycles.



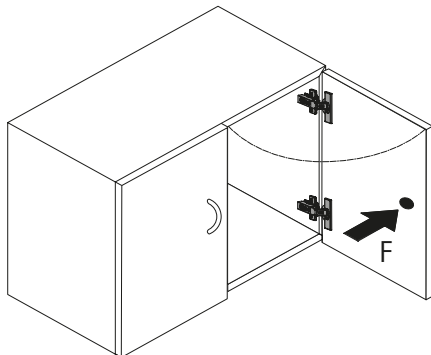
Closing test

The door is opened by 30° and pushed closed from this position by means of a pulley and falling weight.



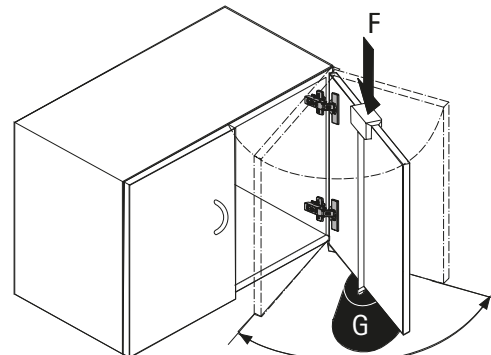
Horizontal test

The door is over opened with a defined test force F. (This test only applies to hinges with an opening angle < 135°.)

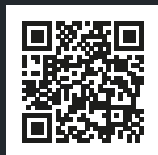


Vertical test

The door is subjected to a specific number of opening and closing cycles under a defined additional load G.



Let's move markets!



Hettich America, L.P.
4295 Hamilton Mill Road
Suite 400
Buford, GA 30518
Phone: 1-800-438-8424
Fax: 1-800-627-5152
info@hettichamerica.net

Order no.: 9_189_417
2111-004_Sensys_11/21_HUS/en

Technik für Möbel


Hettich