

Grant® Folding and Sliding Door Hardware

Technik für Möbel


Hettich

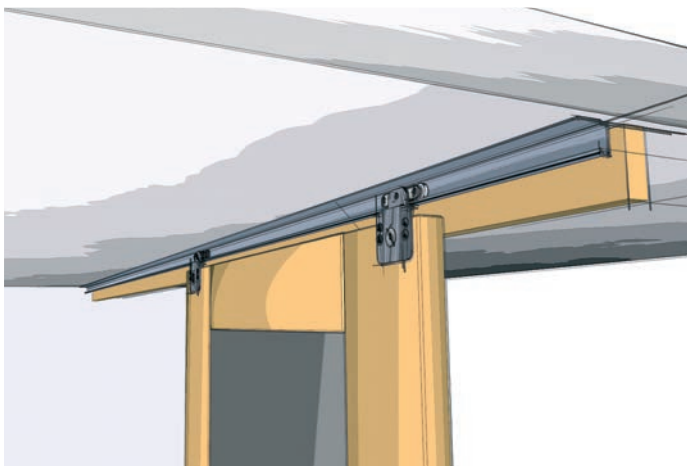
Grant® Sliding and Folding Door Hardware is manufactured to the highest standards, using high quality material under rigid quality control conditions.

Grant® offers a very broad range when choosing folding and sliding door configurations. From 50 lbs to 1000 lbs, Hettich provides sliding door hardware perfectly suited to meet the needs of both residential and commercial applications.

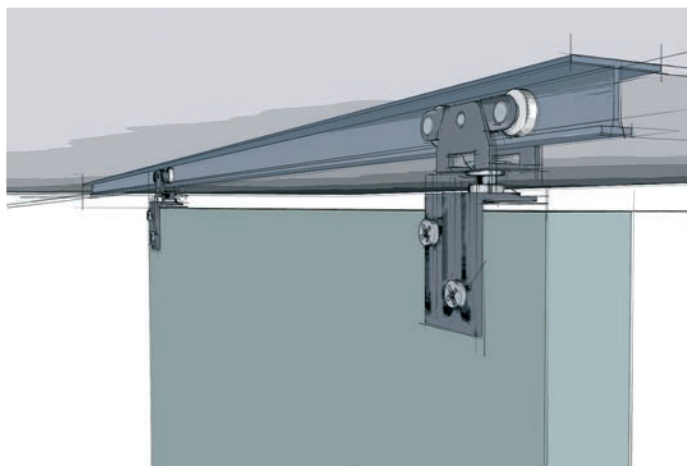
A large range is available in bi-folding door hardware from 25 lbs to the smooth movement of precision ball bearing wheels found in the 175 lbs rated 1260 series.

Get the look you want and the quality you expect with Grant® Folding and Sliding Door Hardware.

Grant® Sliding and Folding Door Hardware



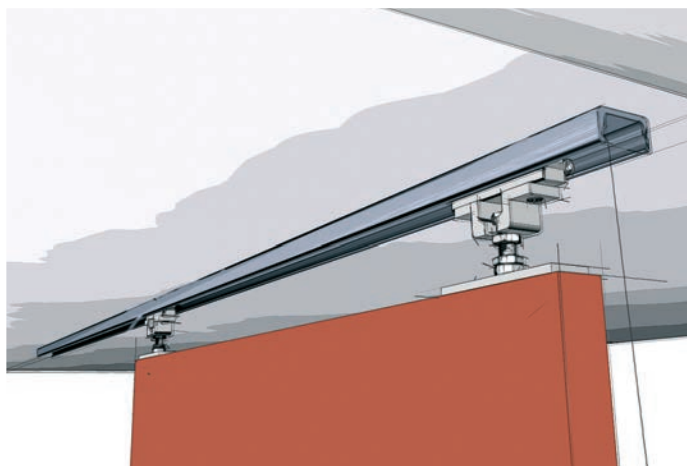
| Single Door Sets | Load Capacity | Pages |
|---------------------|----------------|---------------|
| Top Line Grant 6023 | 50 lbs [23 kg] | 2.2 - 2.3 |
| Top Line Grant 6053 | 75 lbs [34 kg] | 2.4 - 2.5 |
| Grant 75E | 75 lbs [34 kg] | 2.5.1 - 2.5.2 |
| Grant 150E | 150lbs [68 kg] | 2.5.3 - 2.5.4 |



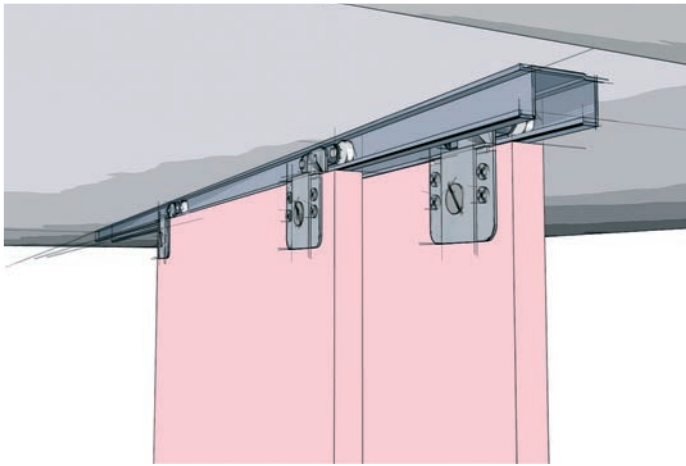
| Single Door Sets | Load Capacity | Pages |
|-----------------------|------------------|-------------|
| Top Line Grant 71-034 | 150 lbs [68 kg] | 2.6 - 2.7 |
| Top Line Grant 71-111 | 150 lbs [68 kg] | 2.8 - 2.9 |
| Top Line Grant 71-138 | 150 lbs [68 kg] | 2.10 - 2.11 |
| Top Line Grant 71-222 | 150 lbs [68 kg] | 2.12 - 2.13 |
| Top Line Grant 1210 | 225 lbs [102 kg] | 2.14 - 2.15 |
| Top Line Grant 1230 | 325 lbs [147 kg] | 2.16 - 2.17 |



| Box Track Sets | Load Capacity | |
|--------------------|---------------------------------------|-----------|
| Top Line Grant SD | 150 lbs [68 kg] | Separate |
| Top Line Grant HD | 325 lbs [147 kg] | Brochure |
| Top Line Grant XHD | 300 lbs - 500 lbs [136 kg -227 kg] | Available |



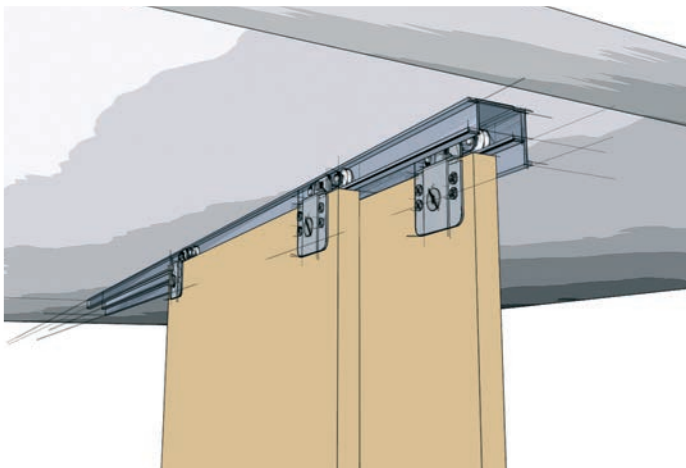
| Single Hanger Sets | Load Capacity | Pages |
|---------------------|-------------------|-----------|
| Top Line Grant 5150 | 150 lbs [68 kg] | 4.2 - 4.3 |
| Top Line Grant 5300 | 1000 lbs [454 kg] | 4.4 - 4.5 |



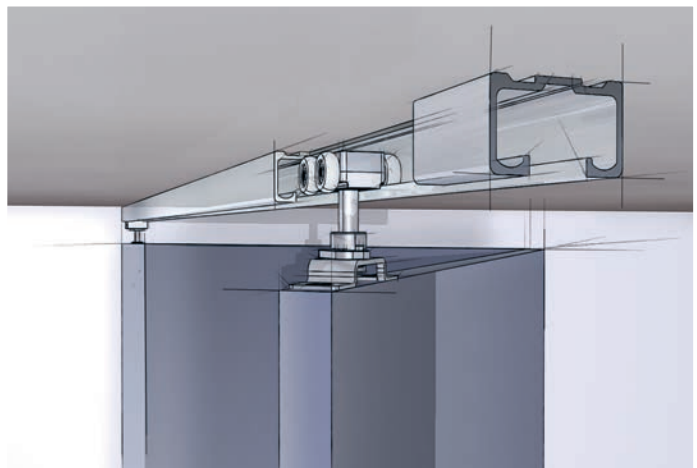
| By-passing Door Sets | Load Capacity | Pages |
|----------------------|-----------------|---------------|
| Top Line Grant 6034 | 50 lbs [23 kg] | 5.2 - 5.3 |
| Top Line Grant 6064 | 75 lbs [34 kg] | 5.4 - 5.5 |
| Grant 75E Bypass | 75 lbs [34 kg] | 5.5.1 - 5.5.2 |
| Grant 150E Bypass | 150 lbs [68 kg] | 5.5.3 - 5.5.4 |



| By-Passing Door Sets | Load Capacity | Pages |
|-----------------------|-----------------|-------------|
| Top Line Grant 72-034 | 150 lbs [68 kg] | 5.6 - 5.7 |
| Top Line Grant 72-118 | 150 lbs [68 kg] | 5.8 - 5.9 |
| Top Line Grant 72-138 | 150 lbs [68 kg] | 5.10 - 5.11 |
| Top Line Grant 72-134 | 150 lbs [68 kg] | 5.12 - 5.13 |
| Top Line Grant 72-222 | 150 lbs [68 kg] | 5.14 - 5.15 |
| Top Line Grant 72-223 | 150 lbs [68 kg] | 5.16 - 5.17 |







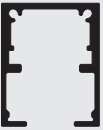






| By-Passing Fascia Sets | Load Capacity | Pages |
|------------------------|-----------------|-----------|
| Top Line Grant 6065 | 75 lbs [34 kg] | 6.2 - 6.3 |
| Top Line Grant 73-034 | 150 lbs [68 kg] | 6.4 - 6.5 |
| Top Line Grant 73-138 | 150 lbs [68 kg] | 6.6 - 6.7 |
| Top Line Grant 73-134 | 150 lbs [68 kg] | 6.8 - 6.9 |



| Folding Door Sets | Load Capacity | Pages |
|----------------------|-----------------|---------------|
| Grant Bi-fold 25 | 25 lbs [11 kg] | 7.3 - 7.5 |
| Grant Bi-fold 50 | 50 lbs [23 kg] | 7.6 - 7.9 |
| Grant Bi-fold 150 | 150 lbs [68 kg] | 7.9.1 - 7.9.4 |
| Wing Line Grant 1260 | 175 lbs [80 kg] | 7.10 - 7.12 |

Grant® Sliding Door Hardware

Selection Chart – Sliding Doors

| Sliding Series | Load capacity per door | Type of installation | Door thickness accommodated | Type of adjustment | Door mounting | Track shape |
|------------------------------|-------------------------------------------------|-----------------------------------------|------------------------------------------|--------------------|---------------|---------------------------------------------------------------------------------------|
| 6000 | up to 75 lbs/door (34 kg/door) | single bi-parting* by-passing | 3/4" min. (19 mm) depending on set | vertical | side |  |
| 75E | up to 75 lbs/door (34 kg/door) | single bi-parting* by-passing** | 3/4" min. (19 mm) | vertical | top |  |
| 150E | up to 150 lbs/door (68 kg/door) | single bi-parting* by-passing** | 1" min. (25.4 mm) | vertical | top |  |
| 7000 | up to 150 lbs/door (68 kg/door) | single bi-parting* by-passing | 3/4" min. (19 mm) depending on set | vertical | top or side |  |
| SD | up to 150 lbs/door (68 kg/door) | single bi-parting* by-passing** | 1" min. (25.4 mm) | vertical | top |  |
| 1210 | up to 225 lbs/door (102 kg/door) | single bi-parting* by-passing** | 1" min. (25.4 mm) | vertical | top |  |
| 1230 | up to 325 lbs/door (147 kg/door) | single bi-parting* by-passing** | 1" min. (25.4 mm) | vertical | top |  |
| HD | up to 325 lbs/door (147 kg/door) | single bi-parting* by-passing** | 1" min. (25.4 mm) | vertical | top |  |
| XHD | 300 - 500 lbs/door (136 - 227 kg/door) | single bi-parting* by-passing** | 1 3/8" min. (34.9 mm) | vertical | top |  |
| 5000 made to order | up to 150 - 1000 lbs/door (68 - 454 kg door) | single bi-parting*** by-passing** | 1" min. (25.4 mm) | vertical | top |  |
| Sheaves/ sheave tracks | up to 200 lbs/door (91 kg door) | single bi-parting* by-passing** | 3/4" min. (19 mm) depending on set | | bottom |  |



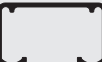

* bi-parting installations use additional set of hardware.

** by-passing installations possible by mounting two parallel tracks.

*** 5000 bi-parting installations possible by mounting two sets end to end.

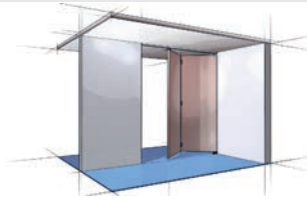
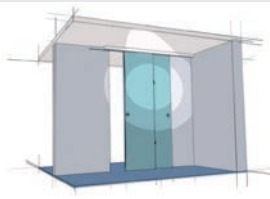
Grant® Sliding Door Hardware

Selection Chart – Folding Doors

| Folding Series | Load capacity per panel | Type of installation | Door thickness accommodated | Type of adjustment | Multi-fold | Track shape |
|----------------|-----------------------------------------------------------|-----------------------|---------------------------------------------|--------------------|-------------------------|-------------------------------------------------------------------------------------|
| BF25 | up to 25 lbs/panel (11 kg panel) | bi-fold | 3/4" min. - 1 3/4" max (19 mm - 44.4 mm) | vertical | bi-fold only |  |
| BF50 | up to 50 lbs (23 kg)/panel up to 30 lbs (14 kg)/panel | bi-fold multi-fold | 3/4" min. - 1 3/4" max (19 mm - 44.4 mm) | vertical | up to six doors one way |  |
| BF150 | up to 150 lbs (68 kg)/panel up to 75 lbs (34 kg)/panel | bi-fold multi-fold | 3/4" min. - 1 3/4" max (19 mm - 44.4 mm) | vertical | up to six doors one way |  |
| 1260 | up to 175 lbs/door (80 kg door) | bi-fold | 1" min. (25.4 mm) | vertical | bi-fold |  |

Program Overview

Grant® Sliding and Folding Door Hardware



Sliding Door Hardware Single & Bi-parting Door Sets

Top Line Grant 6023

Load capacity up to 50 lbs [23 kg]/door
Pages 2.2 - 2.3

Top Line Grant 6053

Load capacity up to 75 lbs [34 kg]/door
Pages 2.4 - 2.5

Grant 75E

Load capacity up to 75 lbs [34 kg]/door
Pages 2.5.1 - 2.5.2

Grant 150E

Load capacity up to 150 lbs [68 kg]/door
Pages 2.5.3 - 2.5.4

Top Line Grant 71-034

Load capacity up to 150 lbs [68 kg]/door
Pages 2.6 - 2.7

Top Line Grant 71-111

Load capacity up to 150 lbs [68 kg]/door
Pages 2.8 - 2.9

Top Line Grant 71-138

Load capacity up to 150 lbs [68 kg]/door
Pages 2.10 - 2.11

Top Line Grant 71-222

Load capacity up to 150 lbs [68 kg]/door
Pages 2.12 - 2.13

Top Line Grant 1210

Load capacity up to 225 lbs [102 kg]/door
Pages 2.14 - 2.15

Top Line Grant 1230

Load capacity up to 325 lbs [147 kg]/door
Pages 2.16 - 2.17

Box Track Sets

Top Line Grant SD

Load capacity up to 150 lbs [68 kg]/door

Top Line Grant HD

Load capacity up to 325 lbs [147 kg]/door

Top Line Grant XHD

Load capacity 300 lbs to 500 lbs/door
[136 kg to 227 kg/door]

Sliding Door Hardware Single Door Hanger Systems

Top Line Grant 5150

Load capacity up to 150 lbs [68 kg]/door
Pages 4.2 - 4.3

Top Line Grant 5300

Load capacity up to 1000 lbs [454 kg]/door
Pages 4.4 - 4.5

By-passing Door Sets

Top Line Grant 6034

Load capacity up to 50 lbs [23 kg]/door
Pages 5.2 - 5.3

Top Line Grant 6064

Load capacity up to 75 lbs [34 kg]/door
Pages 5.4 - 5.5

Grant 75E Bypass

Load capacity up to 75 lbs [34 kg]/door
Pages 5.5.1 - 5.5.2

Grant 150E Bypass

Load capacity up to 150 lbs [68 kg]/door
Pages 5.5.3 - 5.5.4

Top Line Grant 72-034

Load capacity up to 150 lbs [68 kg]/door
Pages 5.6 - 5.7

Top Line Grant 72-118

Load capacity up to 150 lbs [68 kg]/door
Pages 5.8 - 5.9

Top Line Grant 72-138

Load capacity up to 150 lbs [68 kg]/door
Pages 5.10 - 5.11

Top Line Grant 72-134

Load capacity up to 150 lbs [68 kg]/door
Pages 5.12 - 5.13

Top Line Grant 72-222

Load capacity up to 150 lbs [68 kg]/door
Pages 5.14 - 5.15

Top Line Grant 72-223

Load capacity up to 150 lbs [68 kg]/door
Pages 5.16 - 5.17

Sliding & Folding Door Hardware By-passing Door Sets w/ Fascia

Top Line Grant 6065

Load capacity up to 75 lbs [34 kg]/door
Pages 6.2 - 6.3

Top Line Grant 73-034

Load capacity up to 150 lbs [68 kg]/door
Pages 6.4 - 6.5

Top Line Grant 73-138

Load capacity up to 150 lbs [68 kg]/door
Pages 6.6 - 6.7

Top Line Grant 73-134

Load capacity up to 150 lbs [68 kg]/door
Pages 6.8 - 6.9

Folding Doors Application

Wing Line Bi-fold 25 (Bi-fold)

Load capacity up to 25 lbs [11 kg]/panel
Pages 7.3 - 7.5

Wing Line Bi-fold 50 (Bi-fold & Multi-fold)

Bi-fold load up to 50 lbs [23 kg]/panel
Multi-fold load up to 30 lbs [14 kg]/panel
Pages 7.6 - 7.9

Wing Line Bi-fold 150 (Bi-fold & Multi-fold)

Bi-fold load up to 150 lbs [68 kg]/panel
Multi-fold load up to 75 lbs [34 kg]/panel
Pages 7.9.1 - 7.9.4

Wing Line Grant 1260

Load capacity up to 175 lbs [80 kg]/door
Pages 7.10 - 7.12

Sheaves & Tracks

Sheave No. 20

Load capacity up to 150 lbs [23 kg]/door
Page 8.1

Sheave No. 18

Load capacity up to 125 lbs [57 kg]/door
Page 8.2

Sheave No. 14

Load capacity up to 200 lbs [91 kg]/door
Page 8.2

Floor Guides

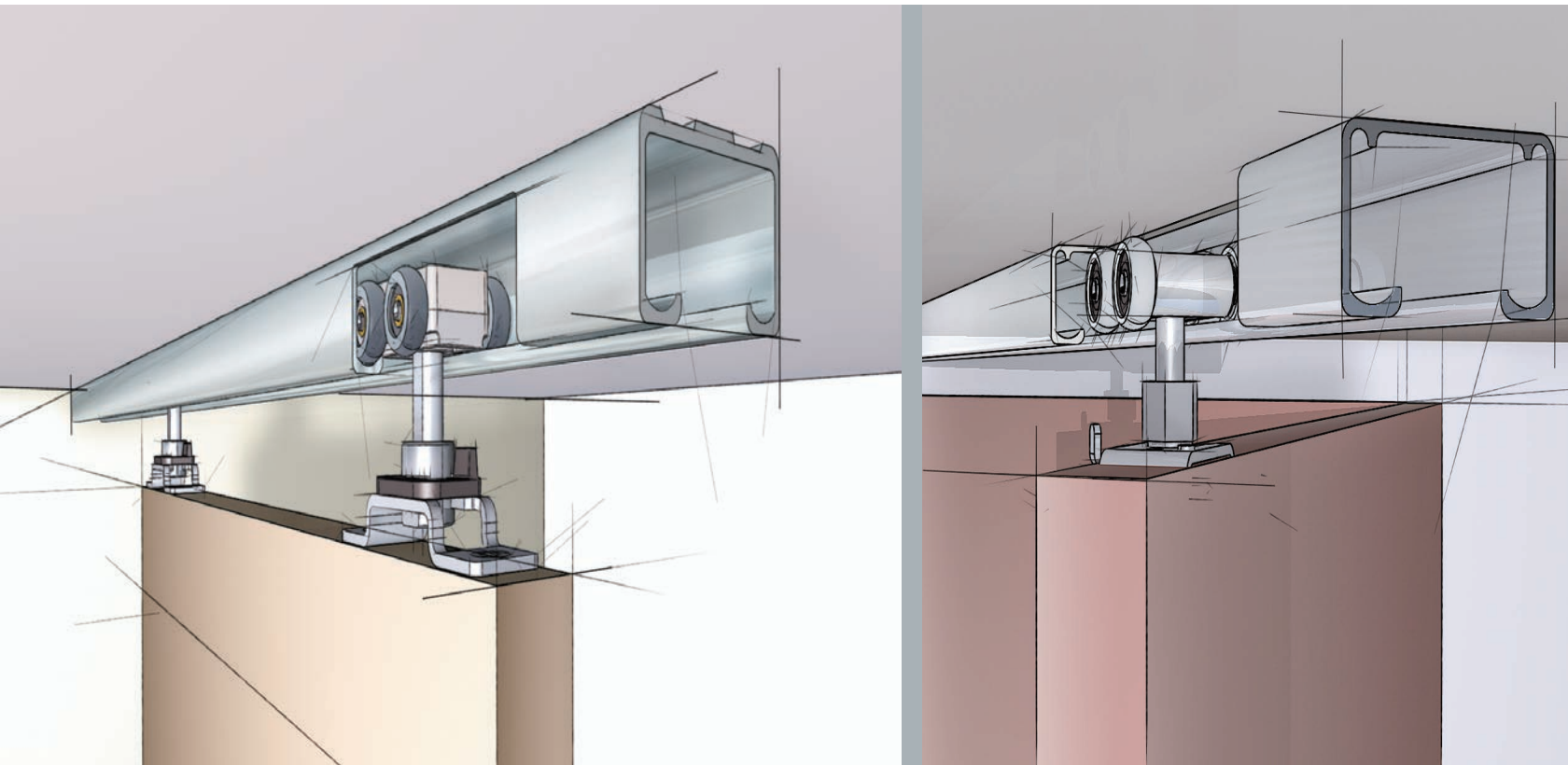
Single, Pocket, Bi-Parting, By-Pass Doors
Page 9.1 - 9.2

Parts & Accessories

Pages 10.1 - 10.16

Index by Part No.

Pages 11.1 - 11.3



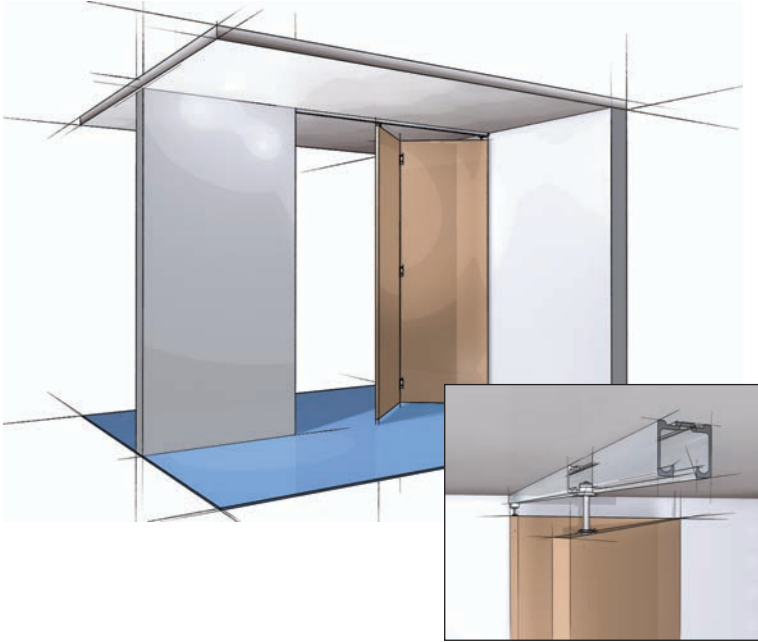
Grant® E-series
for Single, By-pass and Folding Doors

Light Duty Bi-fold Door Sets

Grant Bi-fold 25

up to 25 lbs/panel (11 kg/panel)

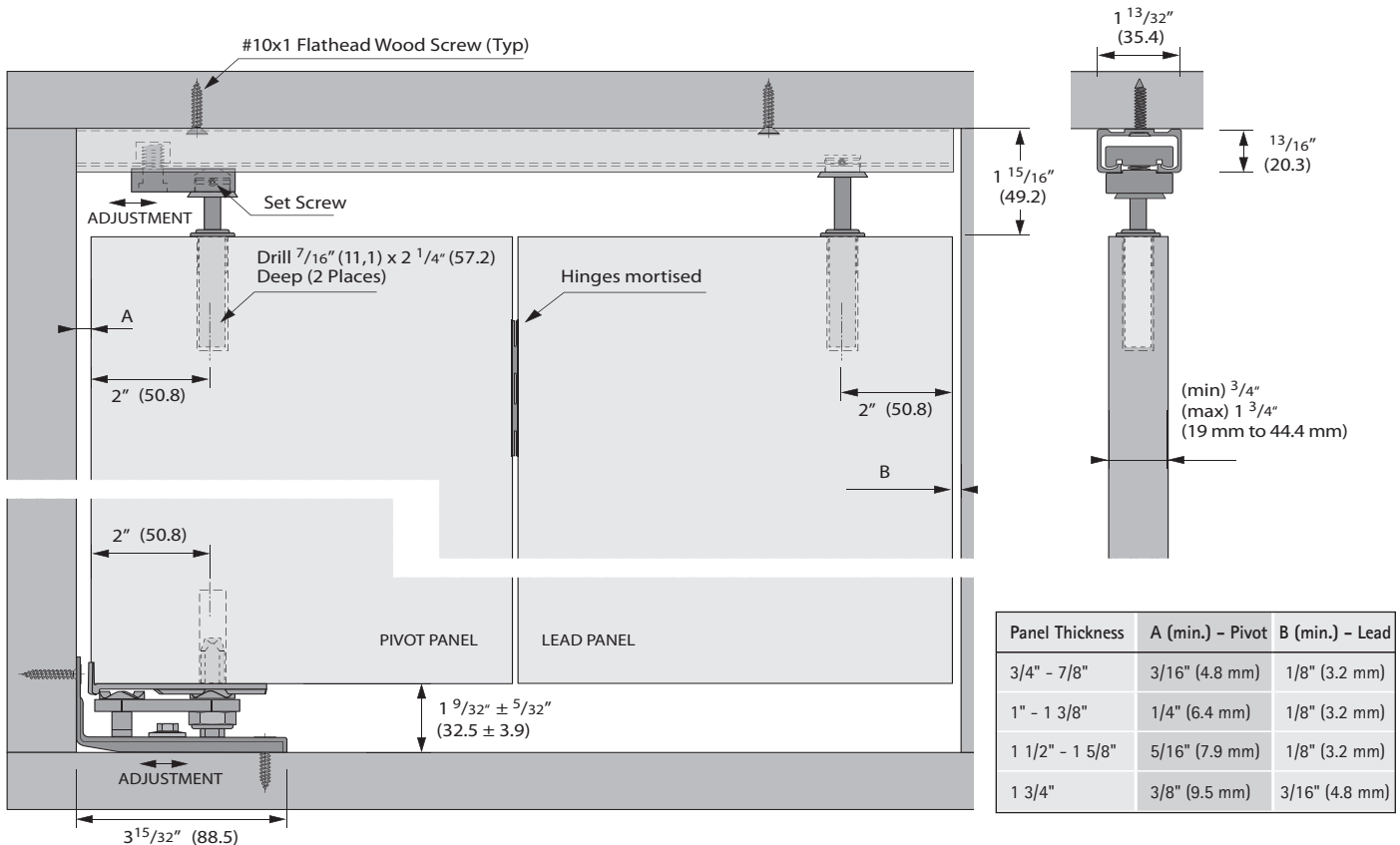
for door thickness $\frac{3}{4}$ " (19 mm) up to $1 \frac{3}{4}$ " (44.4 mm), top mount, adjustable



Grant Bi-fold 25

A light duty top hung folding door system for residential and commercial applications. The Grant Bi-fold 25 system supports light weight bi-folding door installations. Ideal for closet doors.

- For door panels $\frac{3}{4}$ " (19 mm) up to $1 \frac{3}{4}$ " (44.4 mm)
- For doors weighing up to 25 lbs (11 kg) per panel
- Doors fold flat for better access
- Unique stay-open stay-close design keeps door in place
- Simple and quick to install
- Floor cam functions as marking template ensuring top and bottom holes are aligned, no measuring needed
- Spring plunger glides smoothly and easily while staying securely in place
- Pre-drilled aluminum track up to 16' (4800 mm)
- No bottom guide assistance required
- Meets and/or exceeds ANSI/BHMA standards



| Panel Thickness | A (min.) - Pivot | B (min.) - Lead |
|-----------------|------------------|-----------------|
| 3/4" - 7/8" | 3/16" (4.8 mm) | 1/8" (3.2 mm) |
| 1" - 1 3/8" | 1/4" (6.4 mm) | 1/8" (3.2 mm) |
| 1 1/2" - 1 5/8" | 5/16" (7.9 mm) | 1/8" (3.2 mm) |
| 1 3/4" | 3/8" (9.5 mm) | 3/16" (4.8 mm) |

Technical specifications are subject to change without notice

Specifications:

Mounting: Top
 Adjustment: $\frac{5}{16}$ " (7.9 mm) vertical
 Door thickness: $\frac{3}{4}$ " (19 mm) to $1\frac{3}{4}$ " (44.4 mm)
 Headroom: $1\frac{25}{32}$ " (45.3 mm) min., $2\frac{3}{32}$ " (53.1 mm) max.
 Application: Bi-fold

Grant Bi-fold 25 door hardware is available in three purchasing options

● -jamb pivot ○ -carrier

Option I

Complete package: includes track, hardware set, and all screws

Grant Bi-fold 25 2-dr 1-way set Hardware and track

Packing includes:
 1 track 50E
 1 hardware set Bi-fold 25

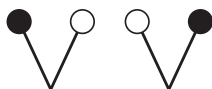


| Length | Order no. | PU |
|--------------|-----------|--------|
| 3' (900 mm) | 113 522 9 | 5 sets |
| 4' (1200 mm) | 113 523 0 | 5 sets |

For longer track application order hardware set and track separately

Grant Bi-fold 25 4-dr 2-each way set Hardware and track

Packing includes:
 1 track 50E
 2 hardware set Bi-fold 25



| Length | Order no. | PU |
|--------------|-----------|--------|
| 4' (1200 mm) | 113 523 1 | 5 sets |
| 5' (1500 mm) | 113 523 2 | 5 sets |
| 6' (1800 mm) | 113 523 3 | 5 sets |
| 8' (2400 mm) | 113 523 4 | 5 sets |

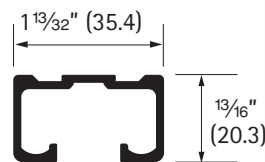
For longer track application order hardware set and track separately

Option II

Track only

Single track 50E

Aluminum extruded, pre-drilled holes



| Length | Order no. | PU |
|---------------|-----------|------|
| 3' (900 mm) | 113 440 6 | each |
| 4' (1200 mm) | 113 439 9 | each |
| 5' (1500 mm) | 113 440 0 | each |
| 6' (1800 mm) | 113 440 1 | each |
| 8' (2400 mm) | 113 440 2 | each |
| 10' (3000 mm) | 113 440 3 | each |
| 12' (3600 mm) | 113 440 4 | each |
| 16' (4800 mm) | 113 440 5 | each |

Screws not included – recommend #10 Flat Head

Option III

Hardware set only (without track)

Grant Bi-fold 25 Hardware set 2-dr 1-way for two door installation, one way

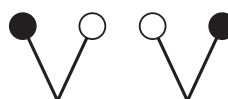
Hardware set includes:
 1 pivot plate assembly
 2 plunger spring assembly
 1 floor cam assembly
 1 bi-fold hinge set 2646
 necessary screws
 installation instructions



| Article | Order no. | PU |
|-------------------------|-----------|---------|
| Hardware set 2-dr 1-way | 113 434 6 | 10 sets |

Grant Bi-fold 25 Hardware set 4-dr 2-each way for four door installation, two door each way

Hardware set includes:
 2 pivot plate assembly
 4 plunger spring assembly
 2 floor cam assembly
 2 bi-fold hinge sets 2646
 necessary screws
 installation instructions



| Article | Order no. | PU |
|------------------------------|-----------|---------|
| Hardware set 4-dr 2-each way | 113 524 1 | 10 sets |

Light Duty Bi-fold Door Sets

Grant Bi-fold 25

up to 25 lbs/panel (11 kg/panel)

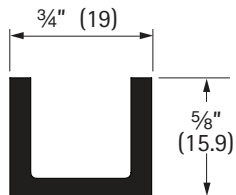
for door thickness $\frac{3}{4}$ " (19 mm) to $1 \frac{3}{4}$ " (44.4 mm), top mount, adjustable

Accessory parts (not included in set)

NOTE: The Bi-fold 25 folding door system does not require the assistance of a bottom guide. If a bottom guide is desired the Guide channel 1222 and 1221 adjustable floor guide can be used. Installation measurements must be checked as some extreme adjustments may not work.

Guide channel 1222

Aluminum extruded



| Length | Order no. | PU |
|---------------|-----------|----|
| 4' (1200 mm) | 050 142 | 5 |
| 5' (1500 mm) | 050 143 | 5 |
| 6' (1800 mm) | 050 144 | 5 |
| 8' (2400 mm) | 050 145 | 5 |
| 10' (3000 mm) | 050 146 | 5 |
| 12' (3600 mm) | 050 147 | 5 |
| 16' (4800 mm) | 050 148 | 5 |

Screws not included - recommend #6 Flat Head

Guide roller 1221

Steel, adjustable

Screws included

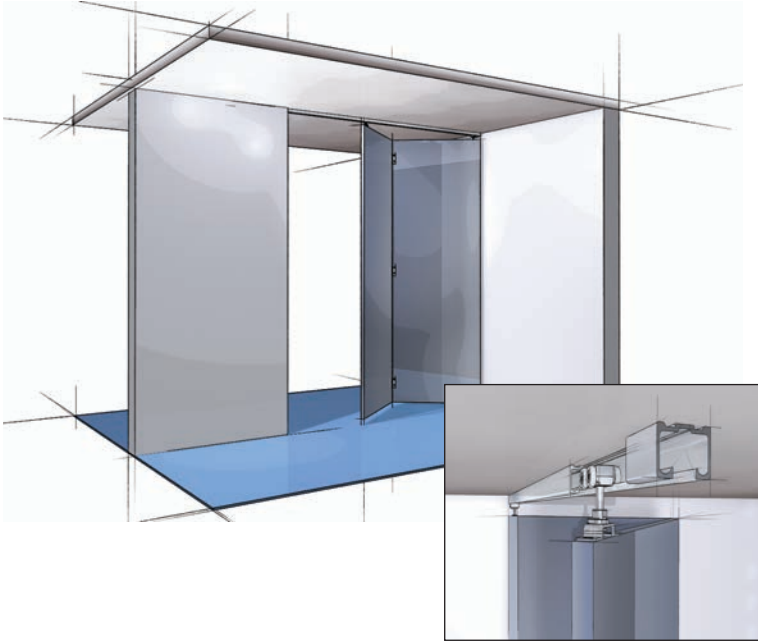


| Article | Order no. | PU |
|-------------------|-----------|----|
| Guide roller 1221 | 050 141 | 20 |

Light Duty Folding Door Set

Grant Bi-fold 50

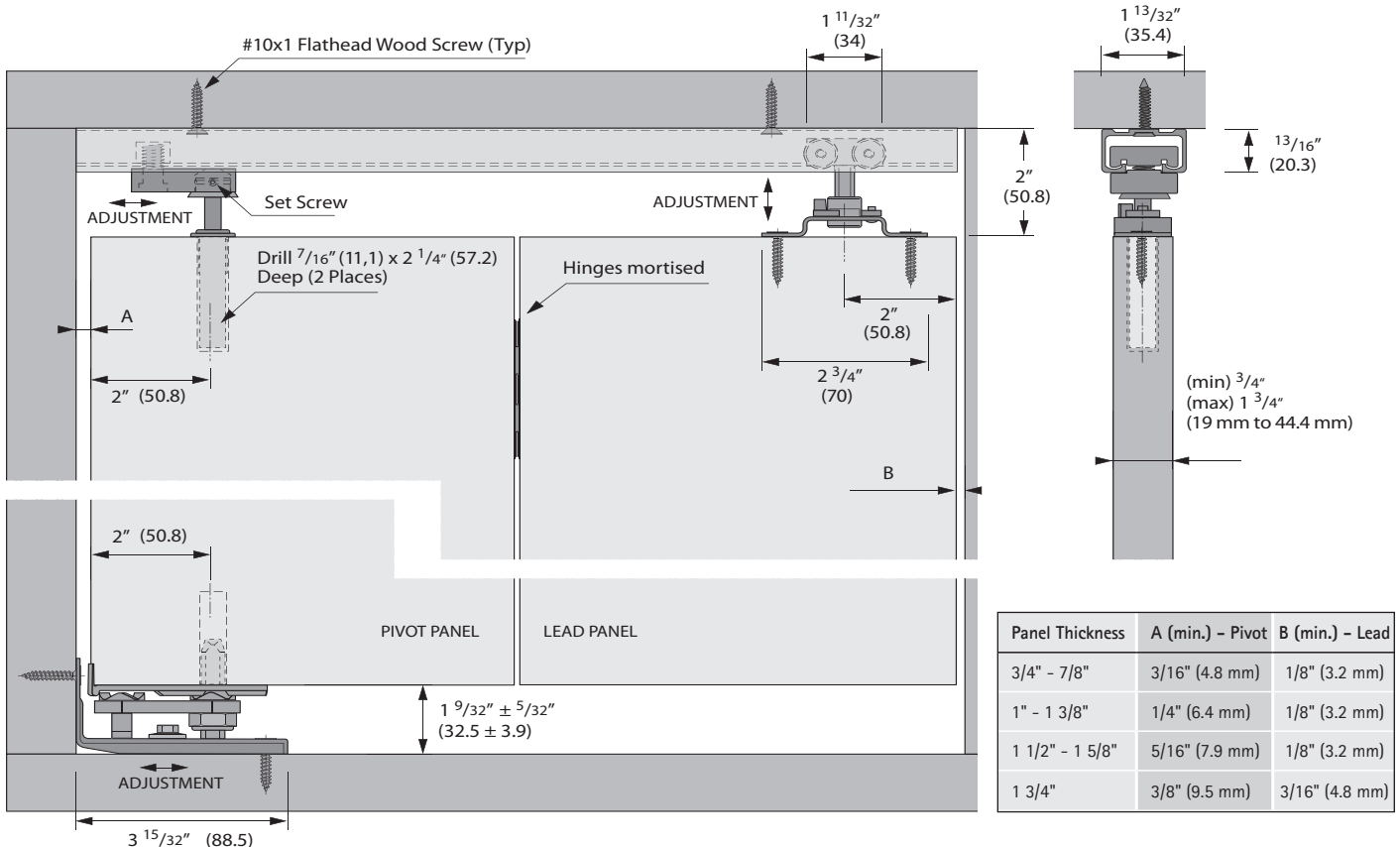
bi-fold up to 50 lbs/panel (23 kg/panel), multi-fold up to 30 lbs/panel (14 kg/panel)
 for door thickness 3/4" (19 mm) to 1 3/4" (44.4 mm), top mount, adjustable



Grant Bi-fold 50

A light duty top hung folding door system for residential and commercial applications. The Grant Bi-fold 50 system supports bi-folding and multi-folding door installations.

- For door panels 3/4" (19 mm) up to 1 3/4" (44.4 mm)
- For bi-fold doors weighing up to 50 lbs (23 kg) per panel, and multi-fold doors weighing up to 30 lbs (14 kg) per panel for up to 6 panels one way
- Doors fold flat for better access
- Unique stay-open stay-close design keeps door in place
- Ball bearing carrier with 4-wheels for smooth and long lasting operation
- Simple and easy to install, floor cam functions as marking template ensuring top and bottom holes are aligned, no measuring needed
- Pre-drilled aluminum track up to 16' (4800 mm)
- No bottom guide assistance required
- Meets and/or exceeds ANSI/BHMA standards



| Panel Thickness | A (min.) - Pivot | B (min.) - Lead |
|-----------------|------------------|-----------------|
| 3/4" - 7/8" | 3/16" (4.8 mm) | 1/8" (3.2 mm) |
| 1" - 1 3/8" | 1/4" (6.4 mm) | 1/8" (3.2 mm) |
| 1 1/2" - 1 5/8" | 5/16" (7.9 mm) | 1/8" (3.2 mm) |
| 1 3/4" | 3/8" (9.5 mm) | 3/16" (4.8 mm) |

Technical specifications are subject to change without notice

Specifications:

- Mounting: Top
- Adjustment: 5/16" (7.9 mm) vertical
- Door thickness: 3/4" (19 mm) to 1 3/4" (44.4 mm)
- Headroom: 1 27/32" (46.8 mm) min., 2 5/32" (54.8 mm) max.
- Application: Bi-fold and Multi-fold up to 6 panels one way

Grant Bi-fold 50 door hardware is available in three purchasing options

● -jamb pivot ○ -carrier

Option I

Complete package: includes track, hardware set, and all screws

**Grant Bi-fold 50 2-dr 1-way set
Hardware and track**

Packing includes:
1 track 50E
1 hardware set Bi-fold 50



| Length | Order no. | PU |
|--------------|-----------|--------|
| 3' (900 mm) | 113 523 5 | 5 sets |
| 4' (1200 mm) | 113 523 6 | 5 sets |

For longer track application order hardware set and track separately

**Grant Bi-fold 50 4-dr 2-each way set
Hardware and track**

Packing includes:
1 track 50E
2 hardware set Bi-fold 50



| Length | Order no. | PU |
|--------------|-----------|--------|
| 4' (1200 mm) | 113 523 7 | 5 sets |
| 5' (1500 mm) | 113 523 8 | 5 sets |
| 6' (1800 mm) | 113 523 9 | 5 sets |
| 8' (2400 mm) | 113 524 0 | 5 sets |

For longer track application order hardware set and track separately

Option II

Track only

Single track 50E

Aluminum extruded, pre-drilled holes



| Length | Order no. | PU |
|---------------|-----------|------|
| 3' (900 mm) | 113 440 6 | each |
| 4' (1200 mm) | 113 439 9 | each |
| 5' (1500 mm) | 113 440 0 | each |
| 6' (1800 mm) | 113 440 1 | each |
| 8' (2400 mm) | 113 440 2 | each |
| 10' (3000 mm) | 113 440 3 | each |
| 12' (3600 mm) | 113 440 4 | each |
| 16' (4800 mm) | 113 440 5 | each |

Screws not included – recommend #10 Flat Head

Option III

Hardware set only (without track)

**Grant Bi-fold 50 Hardware set 2-dr 1-way
for two door installation, one way**

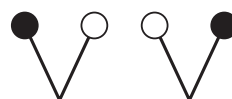
Hardware set includes:
1 pivot plate assembly
1 carrier 50E with quick release top plate
1 plunger spring assembly
1 floor cam assembly
1 bi-fold hinge set 2646
necessary screws
installation instructions



| Article | Order no. | PU |
|-------------------------|-----------|---------|
| Hardware set 2-dr 1-way | 113 434 7 | 10 sets |

**Grant Bi-fold 50 Hardware set 4-dr 2-each way
for four door installation, two door each way**

Hardware set includes:
2 pivot plate assembly
2 carrier 50E with quick release top plate
2 plunger spring assembly
2 floor cam assembly
2 bi-fold hinge sets 2646
necessary screws
installation instructions



| Article | Order no. | PU |
|------------------------------|-----------|---------|
| Hardware set 4-dr 2-each way | 113 524 3 | 10 sets |

Light Duty Folding Door Set

Grant Bi-fold 50

bi-fold up to 50 lbs/panel (23 kg/panel), multi-fold up to 30 lbs/panel (14 kg/panel)
for door thickness $\frac{3}{4}$ " (19 mm) to $1\frac{3}{4}$ " (44.4 mm), top mount, adjustable

Grant Bi-fold 50 Multi-fold doors:

Up to 6 panels one way

Bi-fold applications up to 50 lbs/panel (23 kg/panel)

Multi-fold applications up to 30 lbs/panel (14 kg)

For each additional set of panels over two add one (1) - Grant carrier 50 w/top plate and one (1) - Bi-fold hinge set

| No. of doors | Layout | Load Capacity per panel | Hardware sets less track | Item numbers to order |
|--------------|--------|-------------------------|----------------------------------------------------------------------------------|-------------------------------------------------|
| 2 | | 50 lbs (23 kg) | 1 - set BF50 2-Dr 1-way | 1 - 113 434 7 |
| 4 | | 50 lbs (23 kg) | 1 - set BF50 4-Dr 2-way | 1 - 113 524 3 |
| 4 | | 30 lbs (14 kg) | 1 - set BF50 2-Dr 1-way 1 - carrier 50E w/ top plate 1 - bi-fold hinge set | 1 - 113 434 7 1 - 113 432 2 1 - 113 440 7 |
| 6 | | 30 lbs (14 kg) | 1 - set BF50 2-Dr 1-way 2 - carrier 50E w/ top plate 2 - bi-fold hinge set | 1 - 113 434 7 2 - 113 432 2 2 - 113 440 7 |
| 8 | | 30 lbs (14 kg) | 1 - set BF50 4-Dr 2-way 2 - carrier 50E w/ top plate 2 - bi-fold hinge set | 1 - 113 524 3 2 - 113 432 2 2 - 113 440 7 |
| 8 | | 30 lbs (14 kg) | 1 - set BF50 4-Dr 2-way 2 - carrier 50E w/ top plate 2 - bi-fold hinge set | 1 - 113 524 3 2 - 113 432 2 2 - 113 440 7 |

Grant Carrier 50E with top plate

four ball bearing wheels

quick release top plate

screws included



| Article | Order no. | PU |
|-------------------------|-----------|----|
| Carrier 50E w/top plate | 113 432 2 | 10 |

Bi-fold Hinge Set

Contains: Three (3) 2646 Hinges Screws included

Steel, zinc plated, mortised



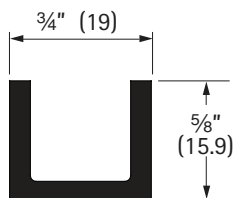
| Article | Order no. | PU |
|-------------------|-----------|----|
| Bi-fold Hinge Set | 113 440 7 | 10 |

Accessory parts (not included in set)

NOTE: The Bi-fold 50 folding door system does not require the assistance of a bottom guide. If a bottom guide is desired the Guide channel 1222 and 1221 adjustable floor guide can be used. Installation measurements must be checked as some extreme adjustments may not work.

Guide channel 1222

Aluminum extruded



| Length | Order no. | PU |
|---------------|-----------|----|
| 4' (1200 mm) | 050 142 | 5 |
| 5' (1500 mm) | 050 143 | 5 |
| 6' (1800 mm) | 050 144 | 5 |
| 8' (2400 mm) | 050 145 | 5 |
| 10' (3000 mm) | 050 146 | 5 |
| 12' (3600 mm) | 050 147 | 5 |
| 16' (4800 mm) | 050 148 | 5 |

Screws not included - recommend #6 Flat Head

Guide roller 1221

Steel, adjustable

Screws included

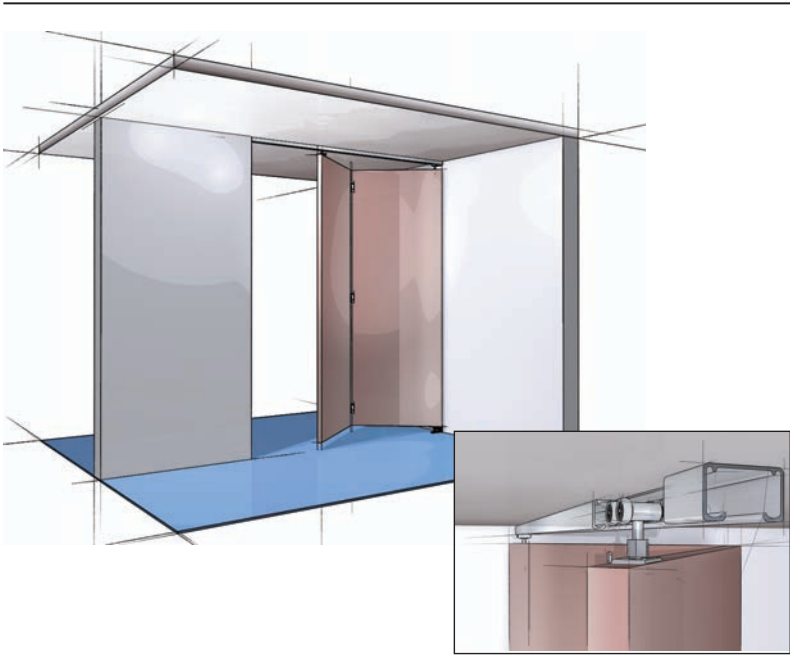


| Article | Order no. | PU |
|-------------------|-----------|----|
| Guide roller 1221 | 050 141 | 20 |

Medium Duty Bi-fold Door Set

Grant Bi-fold 150

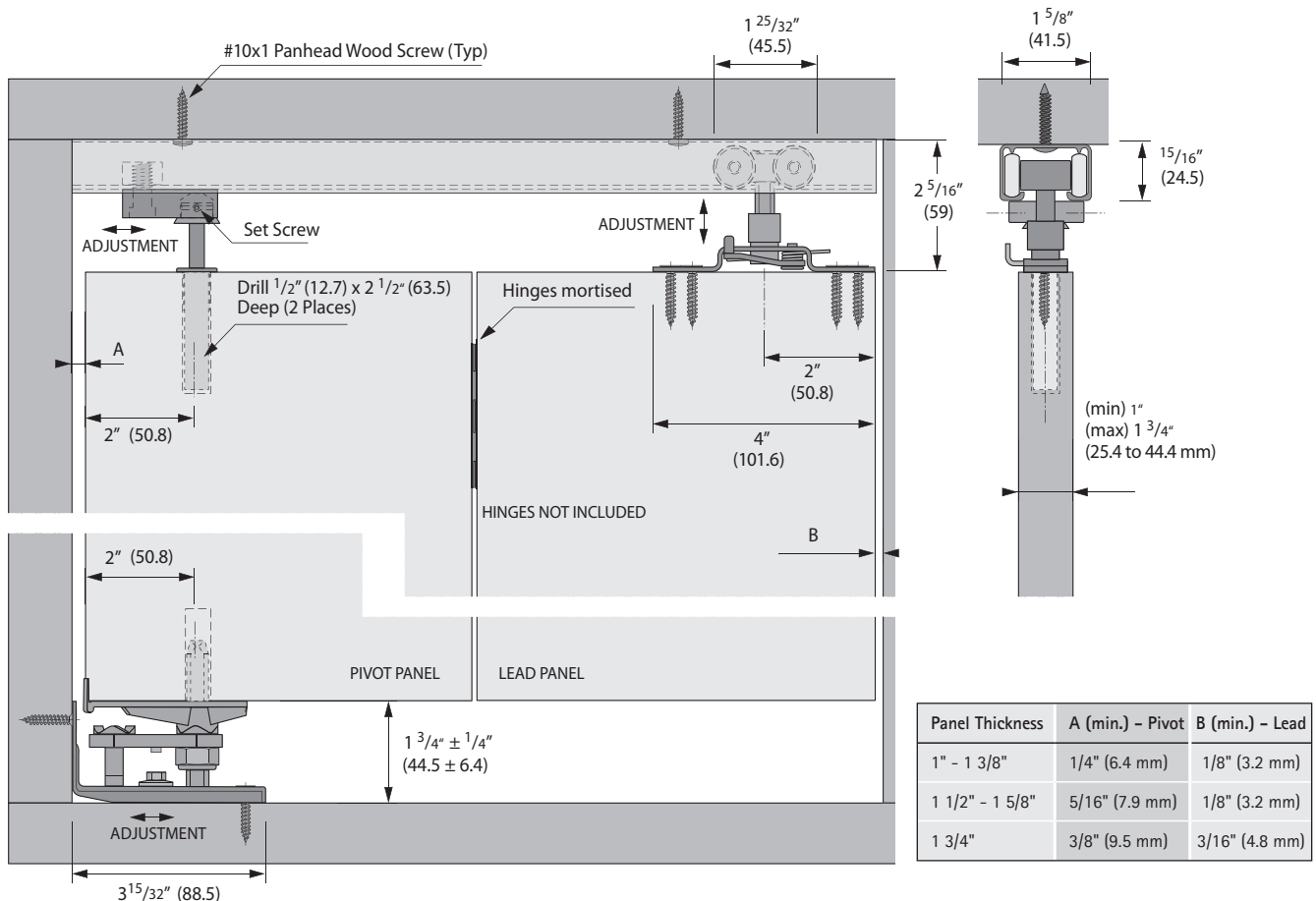
bi-fold up to 150 lbs/panel (68 kg/panel), multi-fold up to 75 lbs/panel (34 kg/panel)
 for door thickness 1" (25.4 mm) to 1 3/4" (44.4 mm), top mount, adjustable



Grant Bi-fold 150

A medium duty, top hung folding door system. The Grant Bi-fold 150 system supports most medium duty residential and commercial grade bi-fold and multi-fold applications.

- For door panels 1" (25.4 mm) to 1 3/4" (44.4 mm)
- For bi-fold doors weighing up to 150 lbs (68 kg) per panel and multi-fold doors weighing up to 75 lbs (34 kg) per panel
- 4 wheel carrier with precision ball bearing wheels for quiet, effortless operation
- Doors fold flat for better access
- Unique stay-open stay-close design to keep doors in place
- Simple and easy to install, floor cam functions as marking template ensuring top and bottom holes are aligned, no measuring needed
- Pre-drilled Aluminum track up to 16' (4800 mm)
- No bottom guide assistance required
- Meets and/or exceeds ANSI/BHMA standards



Technical specifications are subject to change without notice

Specifications:

Mounting: Top
 Adjustment: ½" (12.7 mm) vertical
 Door thickness: 1" (25.4 mm) to 1¾" (44.4 mm)
 Headroom: 2 ⅙" (52.4 mm) min., 2 ⅝" (65.1 mm) max.
 Application: Bi-fold and Multi-fold up to 6 panels one way

Grant Bi-fold 150 door hardware is available in three purchasing options

● -jamb pivot ○ -carrier

Option I

Complete package: includes track, hardware set, and all screws

Grant Bi-fold 150 2-dr 1-way set Hardware and track

Packing includes:

- 1 track 150E
- 1 hardware set Bi-fold 150



| Length | Order no. | PU |
|--------------|-----------|--------|
| 4' (1200 mm) | 113 524 4 | 5 sets |
| 5' (1500 mm) | 113 524 5 | 5 sets |
| 6' (1800 mm) | 113 524 6 | 5 sets |
| 8' (2400 mm) | 113 524 7 | 5 sets |

For longer track application order hardware set and track separately

Grant Bi-fold 150 4-dr 2-each way set Hardware and track

Packing includes:

- 1 track 150E
- 2 hardware set Bi-fold 150



| Length | Order no. | PU |
|--------------|-----------|--------|
| 4' (1200 mm) | 113 524 8 | 5 sets |
| 5' (1500 mm) | 113 524 9 | 5 sets |
| 6' (1800 mm) | 113 525 0 | 5 sets |
| 8' (2400 mm) | 113 525 1 | 5 sets |

For longer track application order hardware set and track separately

Option II

Track only

Single track 150E

Aluminum extruded, pre-drilled holes



| Length | Order no. | PU |
|---------------|-----------|------|
| 4' (1200 mm) | 113 443 1 | each |
| 5' (1500 mm) | 113 443 2 | each |
| 6' (1800 mm) | 113 443 3 | each |
| 8' (2400 mm) | 113 443 4 | each |
| 10' (3000 mm) | 113 443 5 | each |
| 12' (3600 mm) | 113 443 6 | each |
| 16' (4800 mm) | 113 443 7 | each |

Screws not included - recommend #10 Pan Head

Option III

Hardware set only (without track)

Grant Bi-fold 150 Hardware set 2-dr 1-way for two door installation, one way

Hardware set includes:

- 1 pivot plate assembly
- 1 carrier 150E with quick release top plate
- 1 plunger spring assembly
- 1 floor cam assembly
- necessary screws
- installation instructions

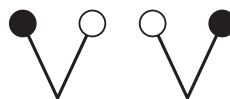


| Article | Order no. | PU |
|-------------------------|-----------|---------|
| Hardware set 2-dr 1-way | 113 516 7 | 10 sets |

Grant Bi-fold 150 Hardware set 4-dr 2-each way for four door installation, two door each way

Hardware set includes:

- 2 pivot plate assembly
- 2 carrier 150E with quick release top plate
- 2 plunger spring assembly
- 2 floor cam assembly
- necessary screws
- installation instructions



| Article | Order no. | PU |
|-------------------------|-----------|---------|
| Hardware set 4-dr 2-way | 113 525 2 | 10 sets |

Medium Duty Bi-fold Door Set

Grant Bi-fold 150

bi-fold up to 150 lbs/panel (68 kg/panel), multi-fold up to 75 lbs/panel (34 kg/panel)
for door thickness 1" (25.4 mm) to 1 3/4" (44.4 mm), top mount, adjustable



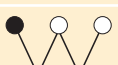

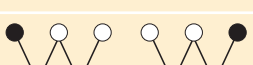

Grant Bi-fold 150 Multi-fold doors:

Up to 6 panels one way

Bi-fold applications up to 150 lbs/panel (68 kg/panel)

Multi-fold applications up to 75 lbs/panel (34 kg/panel)

For each additional set of panels over two add one (1) - Grant carrier 150E w/top plate and one (1) - Bi-fold hinge set

| No. of doors | Layout | Load Capacity per panel | Hardware sets less track | Item numbers to order |
|--------------|-------------------------------------------------------------------------------------|-------------------------|------------------------------------------------------------------------------------------------------|----------------------------------------------------------------|
| 2 |  | 150 lbs (68 kg) | 1 - set BF150 2-Dr 1-way | 1 - 113 516 7 |
| 4 |  | 150 lbs (68 kg) | 1 - set BF150 4-Dr 2-way | 1 - 113 525 2 |
| 4 |  | 75 lbs (34 kg) | 1 - set BF150 2-Dr 1-way 1 - carrier 150E w/ top plate 1 - extra bi-fold hinge set (not incl.) | 1 - 113 516 7 1 - 113 516 3 1 - extra bi-fold hinge sets |
| 6 |  | 75 lbs (34 kg) | 1 - set BF150 2-Dr 1-way 2 - carrier 150E w/ top plate 2 - extra bi-fold hinge set (not incl.) | 1 - 113 516 7 2 - 113 516 3 2 - extra bi-fold hinge sets |
| 8 |  | 75 lbs (34 kg) | 1 - set BF150 4-Dr 2-way 2 - carrier 150E w/ top plate 2 - extra bi-fold hinge set (not incl.) | 1 - 113 525 2 2 - 113 516 3 2 - extra bi-fold hinge sets |
| 8 |  | 75 lbs (34 kg) | 1 - set BF150 4-Dr 2-way 2 - carrier 150E w/ top plate 2 - extra bi-fold hinge set (not incl.) | 1 - 113 525 2 2 - 113 516 3 2 - extra bi-fold hinge sets |

Grant Carrier 150E with top plate

four ball bearing wheels

steel, spring loaded

quick release top plate

screws included



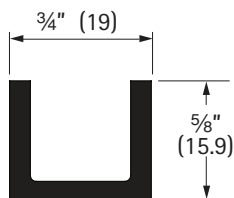
| Article | Order no. | PU |
|--------------------------|-----------|----|
| Carrier 150E w/top plate | 113 516 3 | 10 |

Accessory parts (not included in set)

NOTE: The Bi-fold 150 folding door system does not require the assistance of a bottom guide. If a bottom guide is desired the Guide channel 1222 and 1221 adjustable floor guide can be used. Installation measurements must be checked as some extreme adjustments may not work.

Guide channel 1222

Aluminum extruded



| Length | Order no. | PU |
|---------------|-----------|----|
| 4' (1200 mm) | 050 142 | 5 |
| 5' (1500 mm) | 050 143 | 5 |
| 6' (1800 mm) | 050 144 | 5 |
| 8' (2400 mm) | 050 145 | 5 |
| 10' (3000 mm) | 050 146 | 5 |
| 12' (3600 mm) | 050 147 | 5 |
| 16' (4800 mm) | 050 148 | 5 |

Screws not included - recommend #6 Flat Head

Guide roller 1221

Steel, adjustable

Screws included



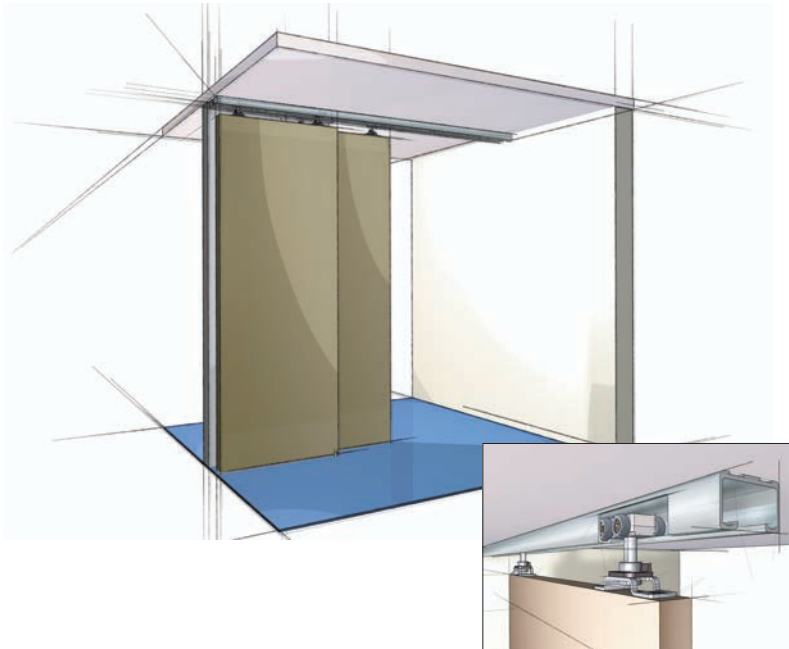
| Article | Order no. | PU |
|-------------------|-----------|----|
| Guide roller 1221 | 050 141 | 20 |

Single Door Set

Grant 75E

up to 75 lbs/door (34 kg/door)

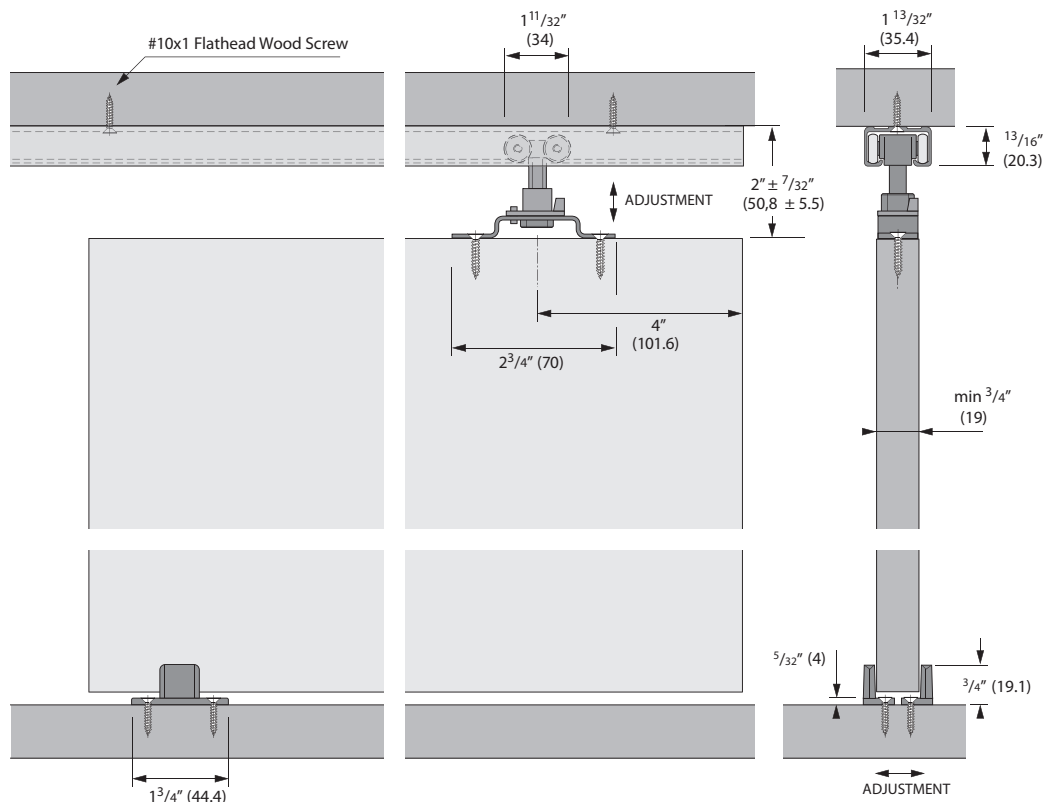
for door thickness $\frac{3}{4}$ " (19 mm) minimum, top mount, adjustable



Grant 75E

The Grant 75E Series is a medium duty commercial and residential grade sliding door hardware series ideal for single and bi-parting installations. Applications include doors between rooms, closet doors, cabinets, storage walls, and partitions.

- Precision ball bearing wheels ensure a smooth, quiet, and long lasting performance
- Pre-drilled aluminum box track hides the hardware
- Quick release mechanism for easy door installation and adjustment
- $\frac{7}{16}$ " (11.1 mm) vertical adjustment; minimal headroom required
- Track is available in lengths up to 16' (4800 mm)
- Flexible system - 50E tracks and carriers also used in Bi-fold 50 series
- Bi-parting applications achieved by adding an additional 75E Hardware set; By-pass applications can be achieved by mounting two tracks in parallel - 75E By-pass sets also available
- Meets and/or exceeds ANSI/BHMA standards



Technical specifications are subject to change without notice

Specifications:

Mounting: Top
 Adjustment: 7/16" (11.1 mm) vertical
 Door thickness: 3/4" (19 mm) min.
 Headroom: 1 25/32" (45.2 mm) min., 2 7/32" (56.4 mm) max.
 Application: Single & bi-parting

Grant 75E Series door hardware is available in four purchasing options

Option I – Complete package

Includes mill finish track, hardware set, and all necessary screws

Hardware and track

| Length | Order no. | PU |
|--------------|-----------|--------|
| 4' (1200 mm) | 113 533 7 | 5 sets |
| 5' (1500 mm) | 113 533 8 | 5 sets |
| 6' (1800 mm) | 113 533 9 | 5 sets |
| 8' (2400 mm) | 113 534 0 | 5 sets |

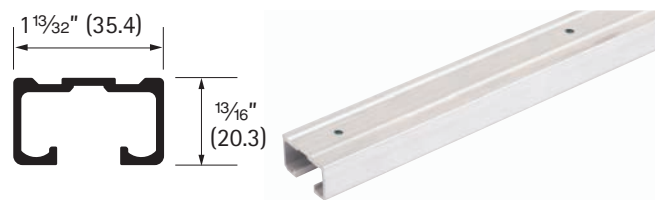
For longer track application order hardware set and track separately

Option II

Track only

Single track 50E

Aluminum extruded, pre-drilled holes



| Length | Order no. | PU |
|---------------|-----------|------|
| 3' (900 mm) | 113 440 6 | each |
| 4' (1200 mm) | 113 439 9 | each |
| 5' (1500 mm) | 113 440 0 | each |
| 6' (1800 mm) | 113 440 1 | each |
| 8' (2400 mm) | 113 440 2 | each |
| 10' (3000 mm) | 113 440 3 | each |
| 12' (3600 mm) | 113 440 4 | each |
| 16' (4800 mm) | 113 440 5 | each |

Screws not included – recommend #10 Flat Head

Option III

Hardware set only

Grant 75E hardware set

(without track)

The hardware set includes:
 2 carriers 50E with precision ball bearing wheels
 2 quick release top plates
 1 floor guide 110
 necessary screws
 installation instructions

| Article | Order no. | PU |
|--------------|-----------|---------|
| Hardware set | 113 533 3 | 10 sets |

Option IV

Separate components

Grant 75E components:

Carrier 50E with quick release top plate

Four precision ball bearing wheels, adjustable

Screws included



| Article | Order no. | PU |
|-------------|-----------|----|
| Carrier 50E | 113 432 2 | 10 |

Floor Guide 110

Nylon, sold in pairs, for single door installations, screws included

Dimensions: 1 3/4" x 3/4" (44.4 x 19 mm)



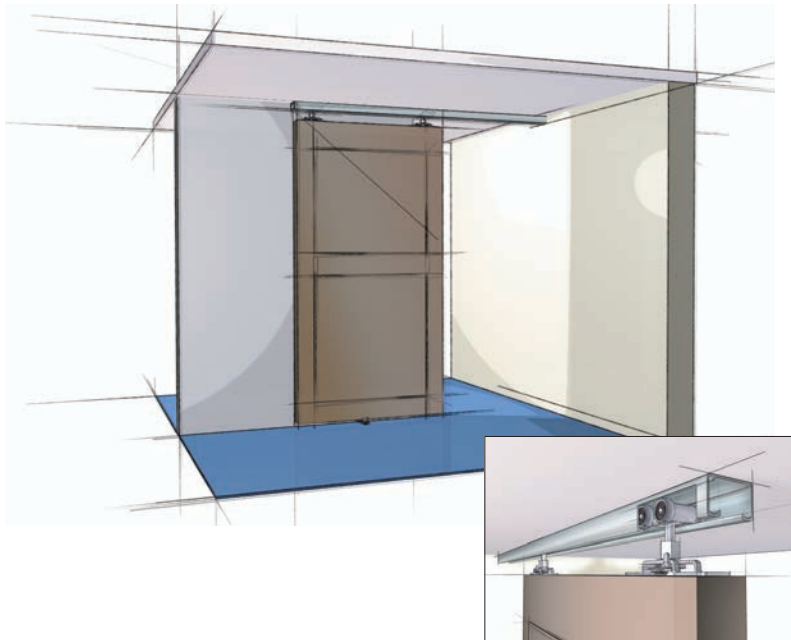
| Finish | Order no. | PU |
|-----------------|-----------|---------|
| Floor guide 110 | 050 101 | 50 sets |

Single Door Set

Grant 150E

up to 150 lbs/door (68 kg/door)

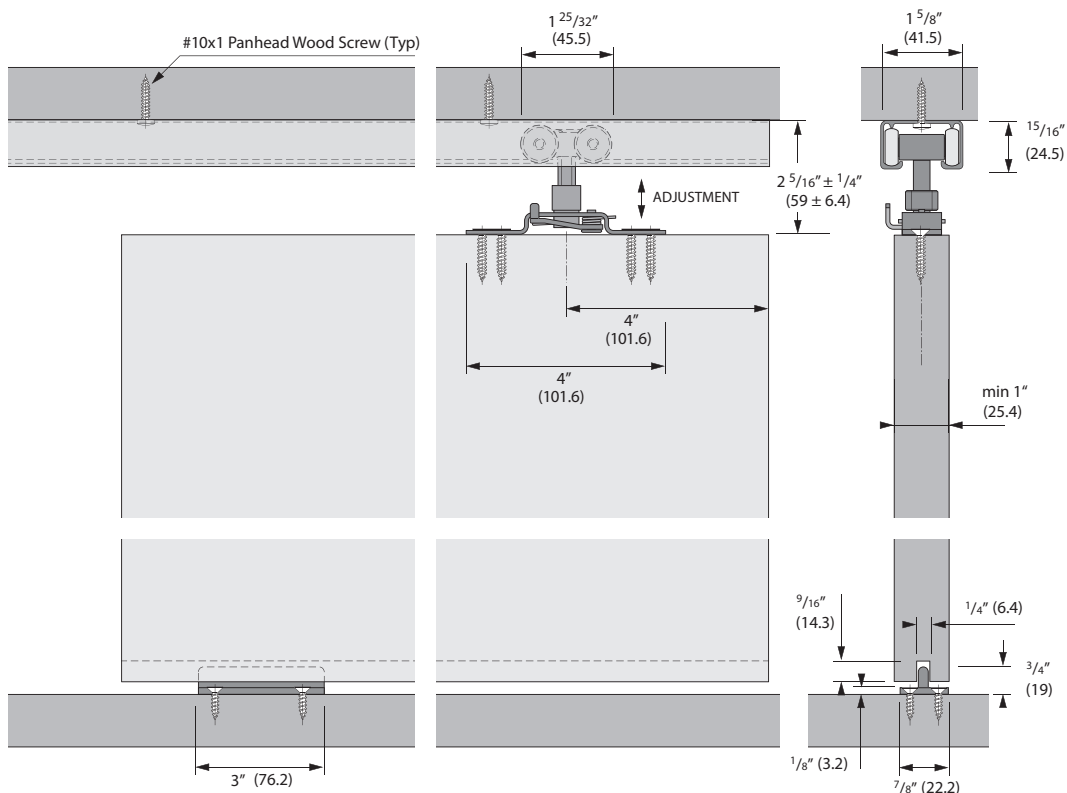
for door thickness 1" (25.4 mm) minimum, top mount, adjustable



Grant 150E

The Grant 150E Series is a medium duty commercial and residential grade sliding door hardware series ideal for single and bi-parting installations. Applications include doors between rooms, closet doors, cabinets, storage walls, and partitions.

- Precision ball bearing wheels ensure a smooth, quiet, and long lasting performance
- Pre-drilled aluminum box track hides the hardware
- Spring loaded quick release mechanism for easy door installation and adjustment
- 1/2" (12.7 mm) vertical adjustment; minimal headroom required
- Track is available in lengths up to 16' (4800 mm)
- Flexible system - 150E tracks and carriers also used in Bi-fold 150 series
- Bi-parting applications achieved by adding an additional 150E Hardware set; By-pass applications can be achieved by mounting two tracks in parallel - 150E By-pass sets also available
- Meets and/or exceeds ANSI/BHMA standards



Technical specifications are subject to change without notice

Specifications:

Mounting: Top
 Adjustment: 1/2" (12.7 mm) vertical
 Door thickness: 1" (25.4 mm) min.
 Headroom: 2 1/16" (52.4 mm) min., 2 9/16" (65.1 mm) max.
 Application: Single & bi-parting

Grant 150E Series door hardware is available in four purchasing options

Option I - Complete package

Includes mill finish track, hardware set, and all necessary screws

Hardware and track

| Length | Order no. | PU |
|--------------|-----------|--------|
| 4' (1200 mm) | 113 534 9 | 5 sets |
| 5' (1500 mm) | 113 535 0 | 5 sets |
| 6' (1800 mm) | 113 535 1 | 5 sets |
| 8' (2400 mm) | 113 535 2 | 5 sets |

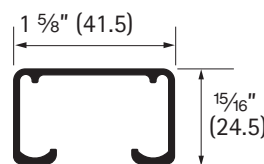
For longer track application order hardware set and track separately

Option II

Track only

Single track 150E

Aluminum extruded, pre-drilled holes



| Length | Order no. | PU |
|---------------|-----------|------|
| 4' (1200 mm) | 113 443 1 | each |
| 5' (1500 mm) | 113 443 2 | each |
| 6' (1800 mm) | 113 443 3 | each |
| 8' (2400 mm) | 113 443 4 | each |
| 10' (3000 mm) | 113 443 5 | each |
| 12' (3600 mm) | 113 443 6 | each |
| 16' (4800 mm) | 113 443 7 | each |

Screws not included - recommend #10 Pan Head

Option III

Hardware set only

Grant 150E hardware set

(without track)

The hardware set includes:

- 2 carriers 150E with precision ball bearing wheels
- 2 quick release top plates
- 1 floor guide 7015
- necessary screws
- installation instructions

| Article | Order no. | PU |
|--------------|-----------|---------|
| Hardware set | 113 533 4 | 10 sets |

Option IV

Separate components

Grant 150E components

Carrier 150E with quick release top plate

Four precision ball bearing wheels, adjustable

Steel, spring loaded quick release

Screws included



| Article | Order no. | PU |
|--------------|-----------|----|
| Carrier 150E | 113 516 3 | 10 |

Floor Guide 7015

Zinc diecast, for single door installations, screws included

Dimensions: 3" x 7/8" x 3/4"
 (76.2 x 22.2x 19 mm)

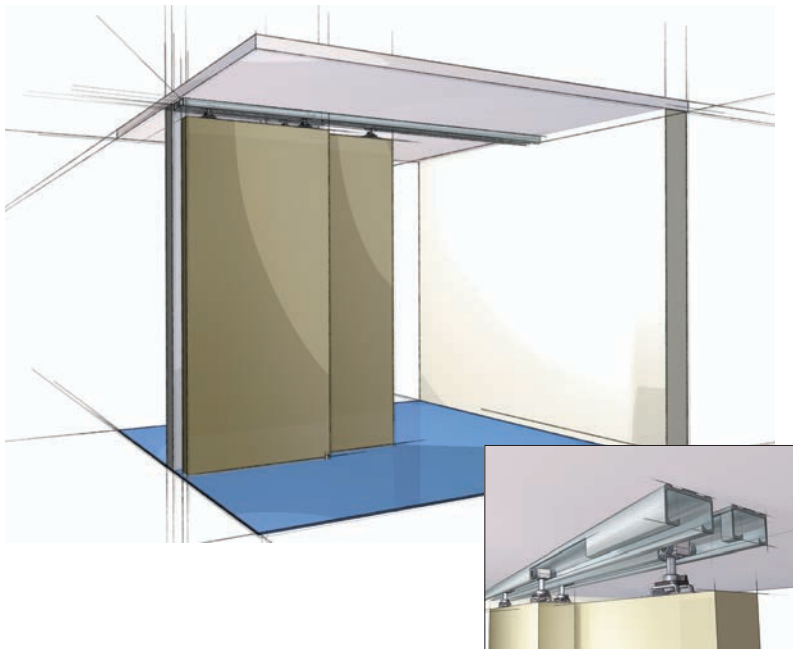


| Finish | Order no. | PU |
|------------------|-----------|---------|
| Floor guide 7015 | 050 562 | 50 sets |

By-passing Door Set Grant 75E By-pass

up to 75 lbs/door (34 kg/door)

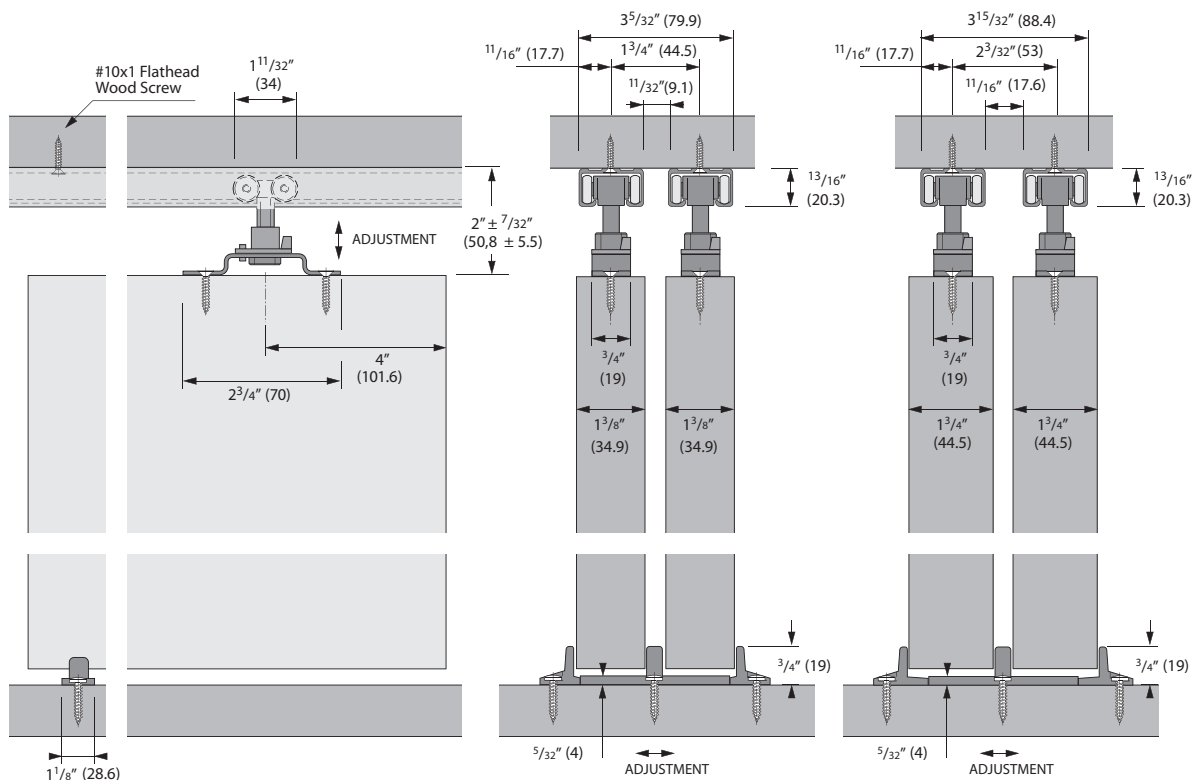
for door thickness 1 3/8" (34.9 mm) and 1 3/4" (44.4 mm), top mount, adjustable



Grant 75E By-pass

The Grant 75E Series is a medium duty commercial and residential grade sliding door hardware series for by-passing installations. Applications include doors between rooms, closet doors, cabinets, storage walls, and partitions.

- Precision ball bearing wheels ensure a smooth, quiet, and long lasting performance
- Pre-drilled aluminum box track hides the hardware
- Quick release mechanism for easy door installation and adjustment
- 7/16" (12.7 mm) vertical adjustment; minimal headroom required
- Track is available in lengths up to 16' (4800 mm)
- Flexible system - 75E tracks and carriers also used in Bi-fold 50 series
- Bi-parting applications achieved by adding an additional 75E Hardware set
- Meets and/or exceeds ANSI/BHMA standards



Technical specifications are subject to change without notice

Specifications:

Mounting: Top
 Adjustment: 7/16" (11.1 mm) vertical
 Door thickness: 1 3/8" (34.9 mm) and 1 3/4" (44.4 mm)
 Headroom: 1 25/32" (45.2 mm) min., 2 7/32" (56.4 mm) max.
 Application: By-passing

Grant 75E By-pass Series door hardware is available in four purchasing options

Option I - Complete package

Includes two- mill finish pre-cut tracks, one- By-pass hardware set, all necessary screws, and installation instructions

By-pass Hardware and track set

| Length | Order no. | PU |
|--------------|-----------|--------|
| 4' (1200 mm) | 113 534 1 | 5 sets |
| 5' (1500 mm) | 113 534 2 | 5 sets |
| 6' (1800 mm) | 113 534 3 | 5 sets |
| 8' (2400 mm) | 113 534 4 | 5 sets |

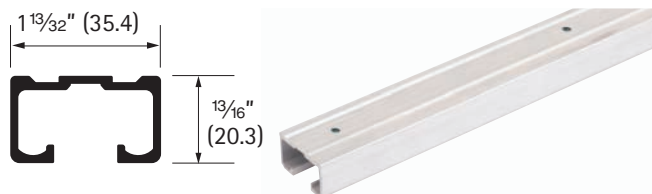
For longer track application order hardware set and track separately

Option II

Track only

Single track 50E

Aluminum extruded, pre-drilled holes



| Length | Order no. | PU |
|---------------|-----------|------|
| 3' (914 mm) | 113 440 6 | each |
| 4' (1200 mm) | 113 439 9 | each |
| 5' (1500 mm) | 113 440 0 | each |
| 6' (1800 mm) | 113 440 1 | each |
| 8' (2400 mm) | 113 440 2 | each |
| 10' (3000 mm) | 113 440 3 | each |
| 12' (3600 mm) | 113 440 4 | each |
| 16' (4800 mm) | 113 440 5 | each |

Screws not included - recommend #10 Flat Head

Option III

Hardware set only

Grant 75E By-pass hardware set (without track)

The hardware set includes:
 4 carriers 50E with precision ball bearing wheels
 4 quick release top plates
 1 adjustable floor guide 114
 necessary screws
 installation instructions

| Article | Order no. | PU |
|--------------|-----------|---------|
| Hardware set | 113 533 5 | 10 sets |

Option IV

Separate components

Grant 75E components

Carrier 50E with quick release top plate

Four precision ball bearing wheels, adjustable

Screws included



| Article | Order no. | PU |
|-------------|-----------|----|
| Carrier 50E | 113 432 2 | 10 |

Floor Guide 114

Nylon, adjustable for doors 3/4" to 1 3/4" (19 to 44.4 mm), for by-passing door installations, screws included

Dimensions: 3" x 1 1/8" (76.2 x 28.6 mm)

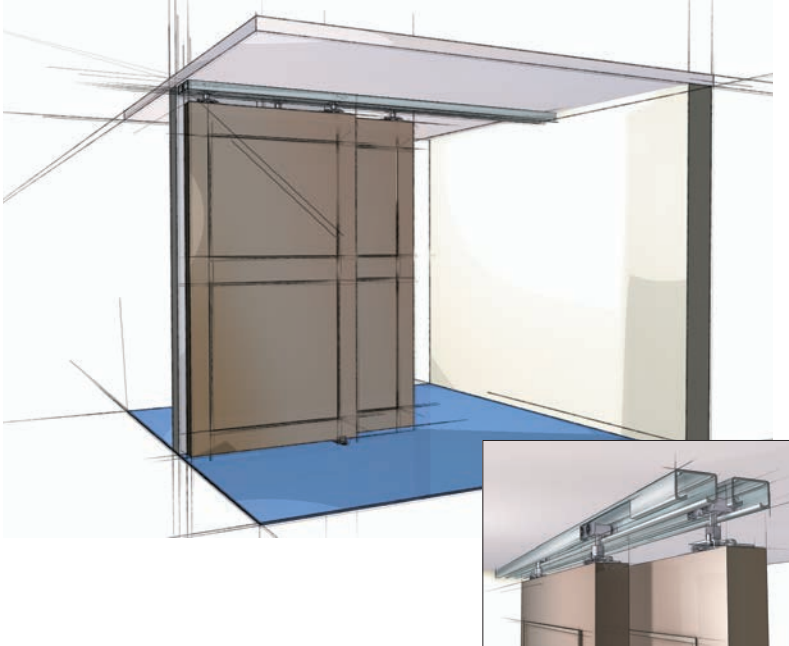


| Finish | Order no. | PU |
|-----------------|-----------|----|
| Floor guide 114 | 050 102 | 50 |

By-passing Door Set
Grant 150E By-pass

up to 150 lbs/door (68 kg/door)

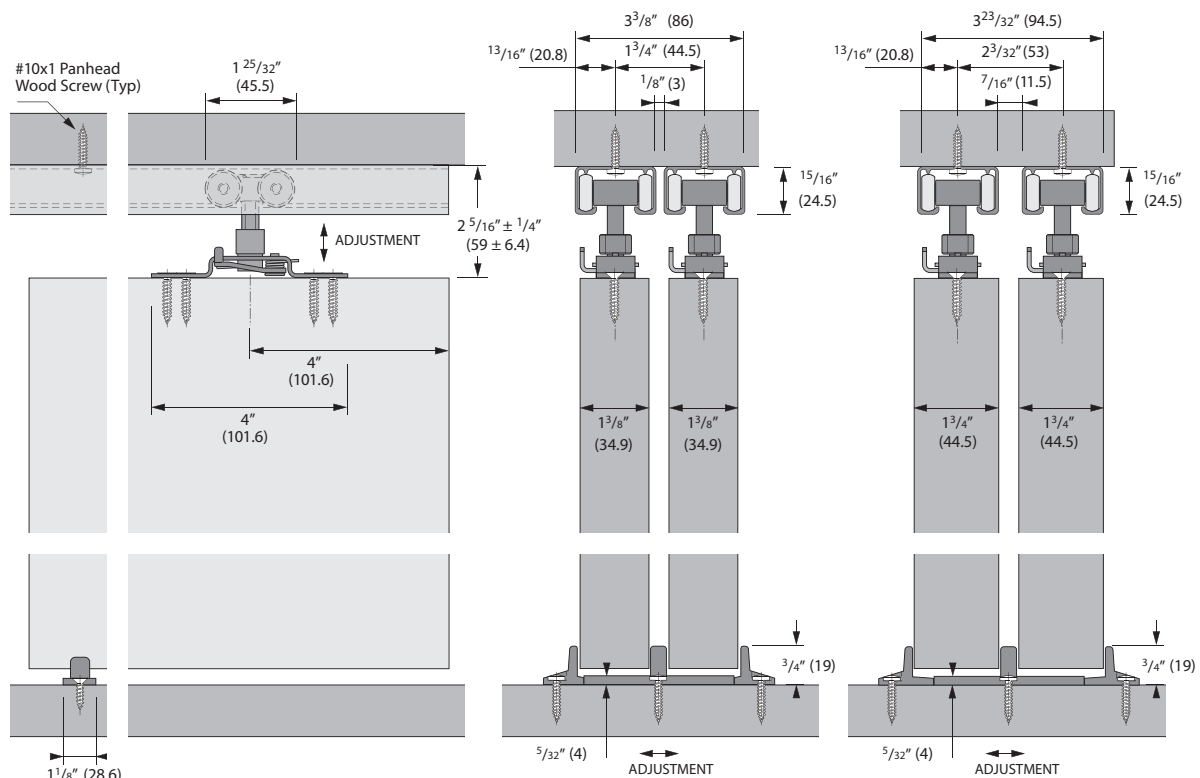
for door thickness 1 3/8" (34.9 mm) and 1 3/4" (44.4 mm), top mount, adjustable



Grant 150E By-pass

The Grant 150E Series is a medium duty commercial and residential grade sliding door hardware series for by-passing installations. Applications include doors between rooms, closet doors, cabinets, storage walls, and partitions.

- Precision ball bearing wheels ensure a smooth, quiet, and long lasting performance
- Pre-drilled aluminum box track hides the hardware
- Spring loaded quick release mechanism for easy door installation and adjustment
- 1/2" (11.1 mm) vertical adjustment; minimal headroom required
- Track is available in lengths up to 16' (4800 mm)
- Flexible system – 150E tracks and carriers also used in Bi-fold/Multi-fold 150 series
- Bi-parting applications achieved by adding an additional 150E Hardware set
- Meets and/or exceeds ANSI/BHMA standards



Technical specifications are subject to change without notice

Specifications:

Mounting: Top
 Adjustment: 1/2" (12.7 mm) vertical
 Door thickness: 1 3/8" (34.9 mm) and 1 3/4" (44.4 mm)
 Headroom: 2 1/6" (52.4 mm) min., 2 9/16" (65.1 mm) max.
 Application: By-passing

Grant 150E By-pass Series door hardware is available in four purchasing options

Option I - Complete package

Includes two- mill finish pre-cut tracks, one- By-pass hardware set, all necessary screws, and installation instructions

By-pass Hardware and track set

| Length | Order no. | PU |
|--------------|-----------|--------|
| 4' (1200 mm) | 113 535 3 | 5 sets |
| 5' (1500 mm) | 113 535 4 | 5 sets |
| 6' (1800 mm) | 113 535 5 | 5 sets |
| 8' (2400 mm) | 113 535 6 | 5 sets |

For longer track application order hardware set and track separately

Option II

Track only

Single track 150E

Aluminum extruded, pre-drilled holes



| Length | Order no. | PU |
|---------------|-----------|------|
| 4' (1200 mm) | 113 443 1 | each |
| 5' (1500 mm) | 113 443 2 | each |
| 6' (1800 mm) | 113 443 3 | each |
| 8' (2400 mm) | 113 443 4 | each |
| 10' (3000 mm) | 113 443 5 | each |
| 12' (3600 mm) | 113 443 6 | each |
| 16' (4800 mm) | 113 443 7 | each |

Screws not included - recommend #10 Pan Head

Option III

Hardware set only

Grant 150E By-pass hardware set

(without track)

The hardware set includes:

- 4 carriers 150E with precision ball bearing wheels
- 4 quick release top plates
- 1 adjustable floor guide 114
- necessary screws
- installation instructions

| Article | Order no. | PU |
|--------------|-----------|---------|
| Hardware set | 113 533 6 | 10 sets |

Option IV

Separate components

Grant 150E components

Carrier 150E with quick release top plate

Four precision ball bearing wheels, adjustable

Steel, spring loaded quick release

Screws included



| Article | Order no. | PU |
|--------------|-----------|----|
| Carrier 150E | 113 516 3 | 10 |

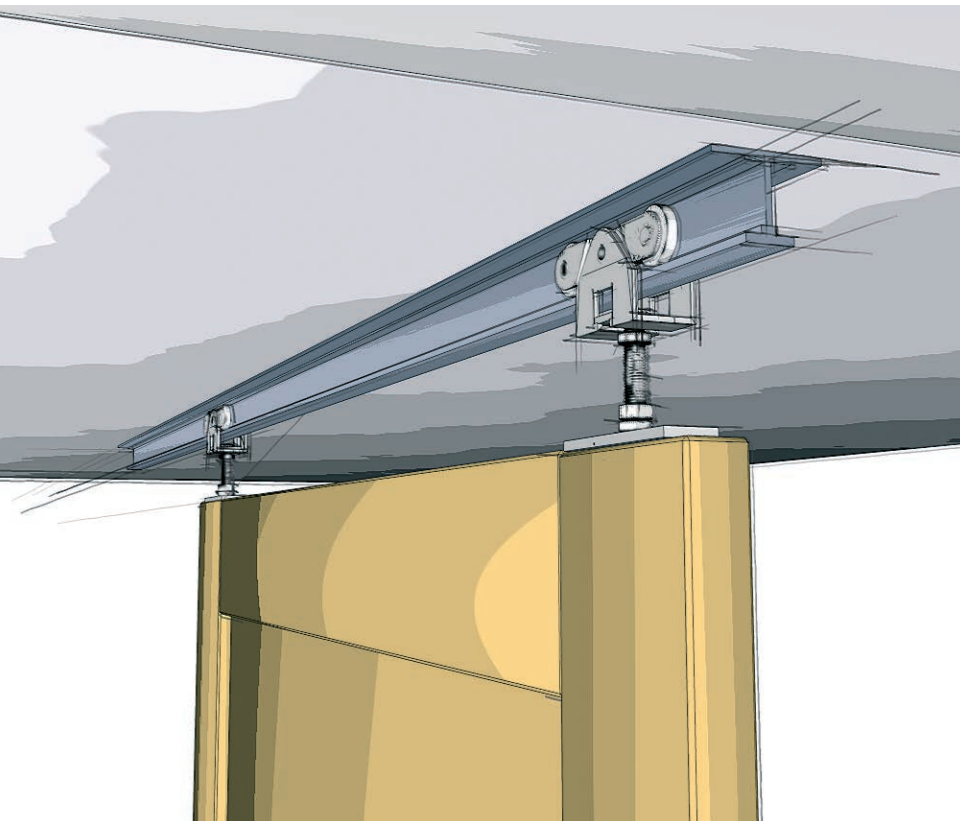
Floor Guide 114

Nylon, adjustable for doors 3/4" to 1 3/4" (19 to 44.4 mm), for by-passing door installations, screws included

Dimensions: 3" x 1 1/8" (76.2 x 28.6 mm)



| Finish | Order no. | PU |
|-----------------|-----------|----|
| Floor guide 114 | 050 102 | 50 |



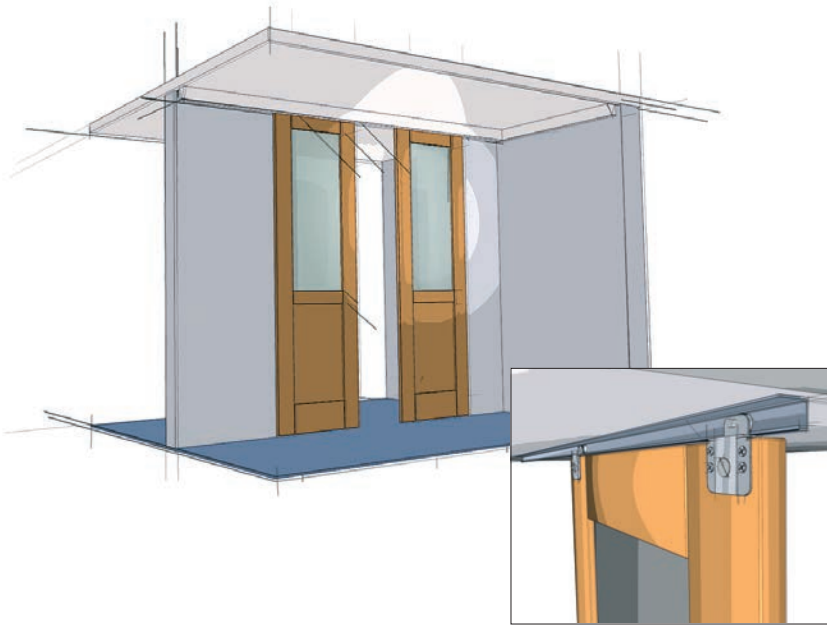
Grant® Sliding Door Sets
for Single, Pocket and Bi-parting Doors

Single Door Set

Top Line Grant 6023

up to 50 lbs/door (23 kg/door)

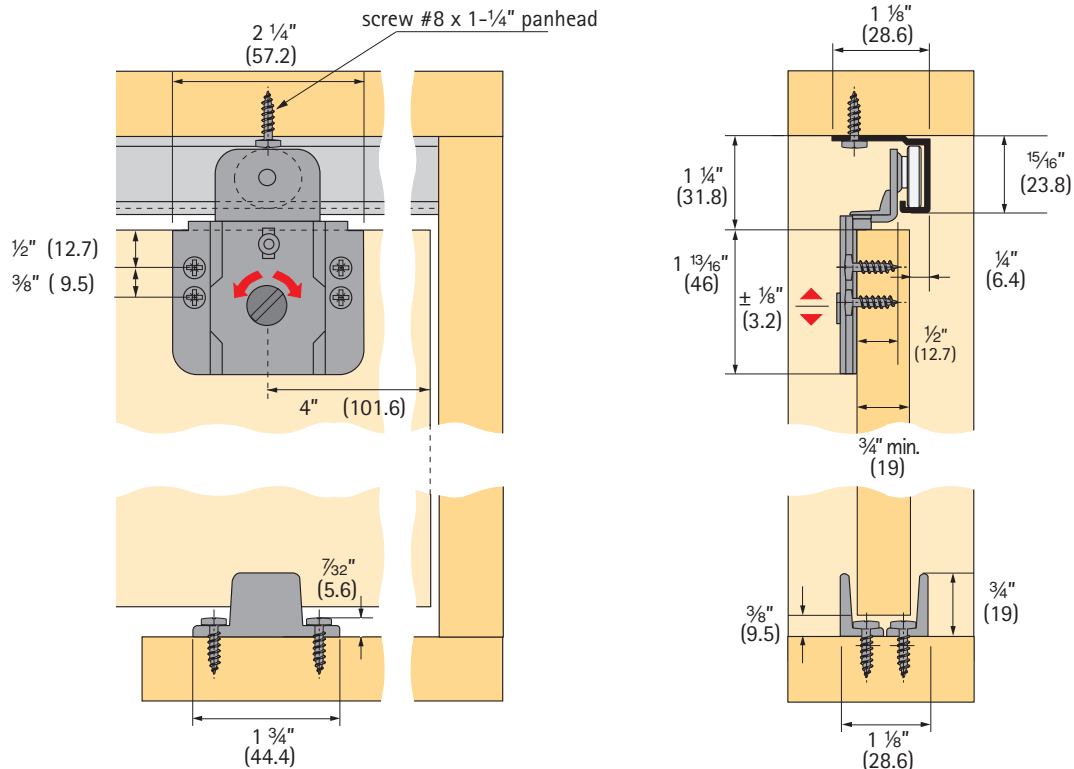
for door thickness $\frac{3}{4}$ " (19 mm) minimum, side mount, adjustable



Top Line Grant 6023

A medium duty sliding door hardware series ideal for single and bi-parting installations. Applications include doors between rooms, closet doors, cabinets, storage walls, and partitions.

- For doors $\frac{3}{4}$ " and up weighing up to 50 lbs/door (23 kg/door)
- Ball-bearing wheels ensure a smooth, quiet and long lasting performance.
- Dual set of mounting holes; ideal for hollow core doors
- Easy-turn cam vertical adjustment
- Dust free track design
- Quick door hanging by tilting pre-mounted hardware onto track profile
- Floor guide required
- Made in USA



Technical specifications are subject to change without notice

Specifications:

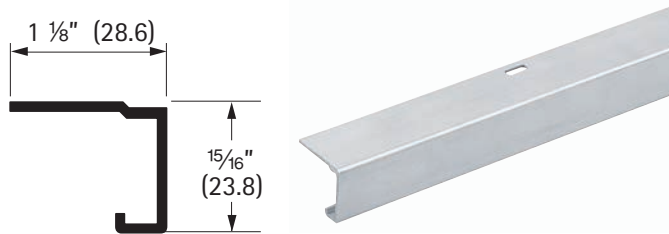
Mounting: Side
 Adjustment: ¼" (6.4 mm) vertical
 Door thickness: ¾" (19 mm) min.
 Headroom: 1½" (28.6 mm) min., 1¾" (34.9 mm) max
 Application: Single & bi-parting

Top Line Grant 6023 door hardware is available in two purchasing options (not available in sets)

Option I
Track only

Single track 6003

Aluminum extruded, pre-drilled holes



| Length | Order no. | PU |
|---------------|-----------|----|
| 6' (1800 mm) | 050 461 | 5 |
| 8' (2400 mm) | 050 462 | 5 |
| 12' (3600 mm) | 050 464 | 5 |

Screws not included - recommend #8 Pan Head

Option II
Separate components

Top Line Grant 6023 components

Carrier 6330

Steel, single wheel, ½" offset, side mounting, adjustable, ball bearing wheel, dual mounting holes

Screws included



| Finish | Order no. | PU |
|-------------|-----------|----|
| zinc-plated | 113 333 4 | 50 |

Floor guide 110

Nylon, sold in pairs

Screws included



| Finish | Order no. | PU |
|--------|-----------|---------|
| N/A | 050 101 | 50 sets |

Single Door Set

Top Line Grant 6053

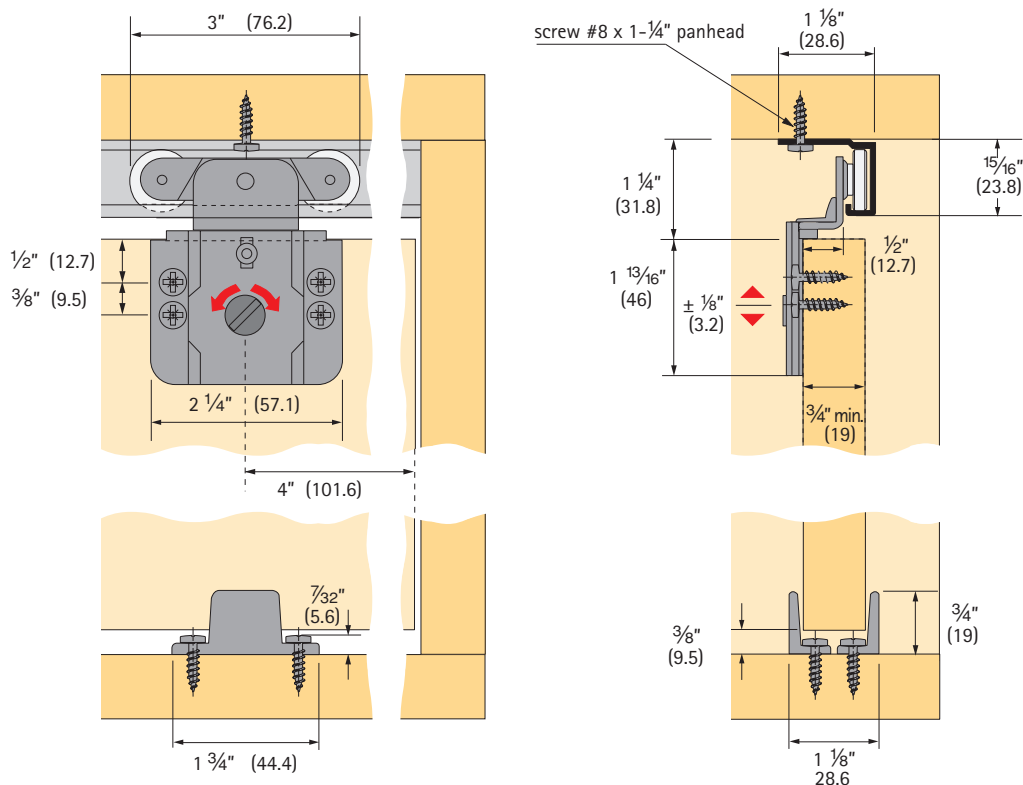
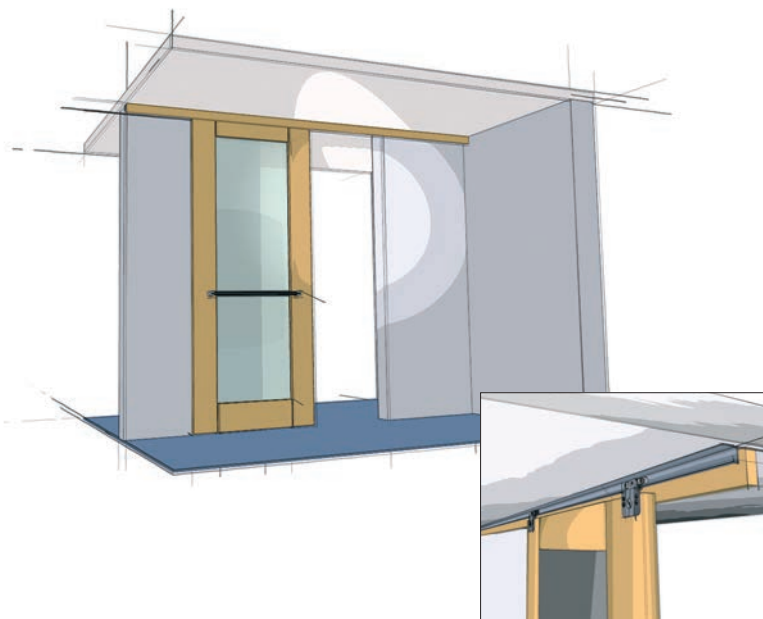
up to 75 lbs/door (34 kg/door)

for door thickness $\frac{3}{4}$ " (19 mm) minimum, side mount, adjustable

Top Line Grant 6053

A medium duty sliding door hardware series ideal for single and bi-parting installations. Applications include doors between rooms, closet doors, cabinets, storage walls, and partitions.

- For doors $\frac{3}{4}$ " and up weighing up to 75 lbs/door (34 kg/door)
- Ball-bearing wheels ensure a smooth, quiet and long lasting performance.
- Dual set of mounting holes; ideal for hollow core doors
- Easy-turn cam vertical adjustment
- Pivoting rocker arms ensure track-carrier contact.
- Dust free track design
- Quick door hanging by tilting pre-mounted hardware onto track profile
- Floor guide required
- Made in USA



Specifications:

Mounting: Side
 Adjustment: ¼" (6.4 mm) vertical
 Door thickness: ¾" (19 mm) min.
 Headroom: 1½" (28.6 mm) min., 1⅞" (34.9 mm) max.
 Application: Single & bi-parting

Top Line Grant 6053 door hardware is available in four purchasing options

Option I

Complete package: includes track, hardware set, and all screws

Hardware and track

| Length | Order no. | PU |
|--------------|-----------|---------|
| 4' (1200 mm) | 113 332 3 | 10 sets |
| 8' (2400 mm) | 113 332 4 | 10 sets |

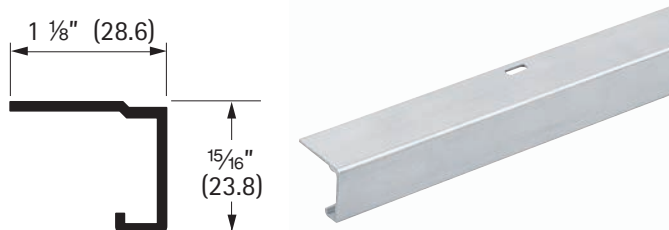
For longer track application order hardware set and track separately

Option II

Track only

Single track 6003

Aluminum extruded, pre-drilled holes



| Length | Order no. | PU |
|---------------|-----------|----|
| 6' (1800 mm) | 050 461 | 5 |
| 8' (2400 mm) | 050 462 | 5 |
| 12' (3600 mm) | 050 464 | 5 |

Screws not included - recommend #8 Pan Head

Option III

Hardware set only

Top Line Grant 6053 hardware set
(without track)

The hardware set includes:
 2 carriers 6360 ball bearing wheels
 1 floor guide 110
 necessary screws
 installation instructions

| Article | Order no. | PU |
|--------------|-----------|---------|
| Hardware set | 113 332 2 | 10 sets |

Option IV

Separate components

Top Line Grant 6053 components**Carrier 6360**

Steel, double wheel, 1/2" offset side mounting, adjustable, ball bearing wheels, dual mounting holes

Screws included



| Finish | Order no. | PU |
|-------------|-----------|----|
| zinc-plated | 113 333 7 | 50 |

Floor guide 110

Nylon, sold in pairs

Screws included



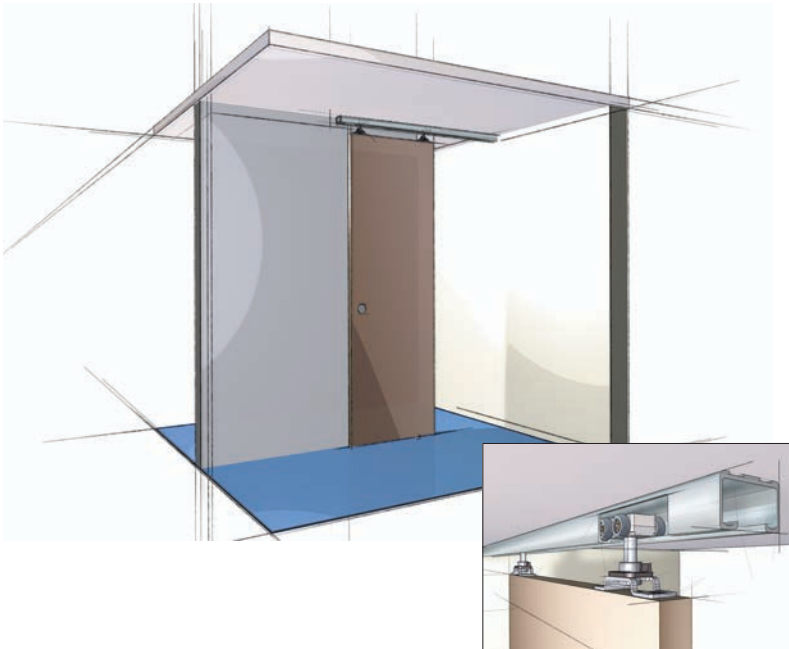
| Finish | Order no. | PU |
|--------|-----------|---------|
| N/A | 050 101 | 50 sets |

Single Door Set

Grant 75E

up to 75 lbs/door (34 kg/door)

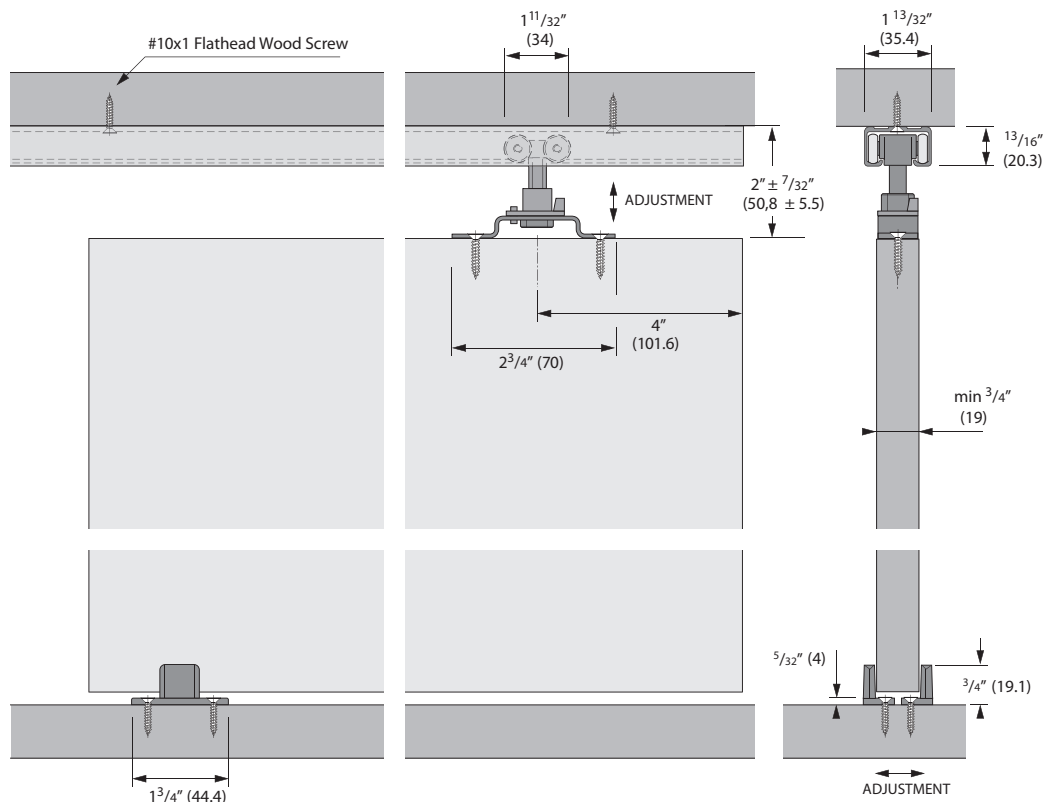
for door thickness $\frac{3}{4}$ " (19 mm) minimum, top mount, adjustable



Grant 75E

The Grant 75E Series is a medium duty commercial and residential grade sliding door hardware series ideal for single and bi-parting installations. Applications include doors between rooms, closet doors, cabinets, storage walls, and partitions.

- Precision ball bearing wheels ensure smooth, quiet, and long lasting performance
- Pre-drilled aluminum box track hides the hardware
- Quick release mechanism for easy door installation and adjustment
- $\frac{7}{16}$ " (11.1 mm) vertical adjustment; minimal headroom required
- Track is available in lengths up to 16' (4800 mm)
- Flexible system - 50E tracks and carriers also used in Bi-fold 50 series
- Bi-parting applications achieved by adding an additional 75E Hardware set; By-pass applications can be achieved by mounting two tracks in parallel - 75E By-pass sets also available
- Meets and/or exceeds ANSI/BHMA standards



Technical specifications are subject to change without notice

Specifications:

Mounting: Top
 Adjustment: 7/16" (11.1 mm) vertical
 Door thickness: 3/4" (19 mm) min.
 Headroom: 1 25/32" (45.2 mm) min., 2 7/32" (56.4 mm) max.
 Application: Single & bi-parting

Grant 75E Series door hardware is available in four purchasing options

Option I - Complete package

Includes mill finish track, hardware set, and all necessary screws

Hardware and track

| Length | Order no. | PU |
|--------------|-----------|--------|
| 4' (1200 mm) | 113 533 7 | 5 sets |
| 5' (1500 mm) | 113 533 8 | 5 sets |
| 6' (1800 mm) | 113 533 9 | 5 sets |
| 8' (2400 mm) | 113 534 0 | 5 sets |

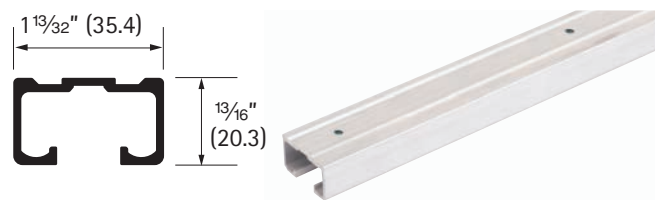
For longer track application order hardware set and track separately

Option II

Track only

Single track 50E

Aluminum extruded, pre-drilled holes



| Length | Order no. | PU |
|---------------|-----------|------|
| 3' (900 mm) | 113 440 6 | each |
| 4' (1200 mm) | 113 439 9 | each |
| 5' (1500 mm) | 113 440 0 | each |
| 6' (1800 mm) | 113 440 1 | each |
| 8' (2400 mm) | 113 440 2 | each |
| 10' (3000 mm) | 113 440 3 | each |
| 12' (3600 mm) | 113 440 4 | each |
| 16' (4800 mm) | 113 440 5 | each |

Screws not included - recommend #10 Flat Head

Option III

Hardware set only

Grant 75E hardware set

(without track)

The hardware set includes:
 2 carriers 50E with precision ball bearing wheels
 2 quick release top plates
 1 floor guide 110
 necessary screws
 installation instructions

| Article | Order no. | PU |
|--------------|-----------|---------|
| Hardware set | 113 533 3 | 10 sets |

Option IV

Separate components

Grant 75E components:

Carrier 50E with quick release top plate

Four precision ball bearing wheels, adjustable

Screws included



| Article | Order no. | PU |
|-------------|-----------|----|
| Carrier 50E | 113 432 2 | 10 |

Floor Guide 110

Nylon, sold in pairs, for single door installations, screws included

Dimensions: 1 3/4" x 3/4" (44.4 x 19 mm)



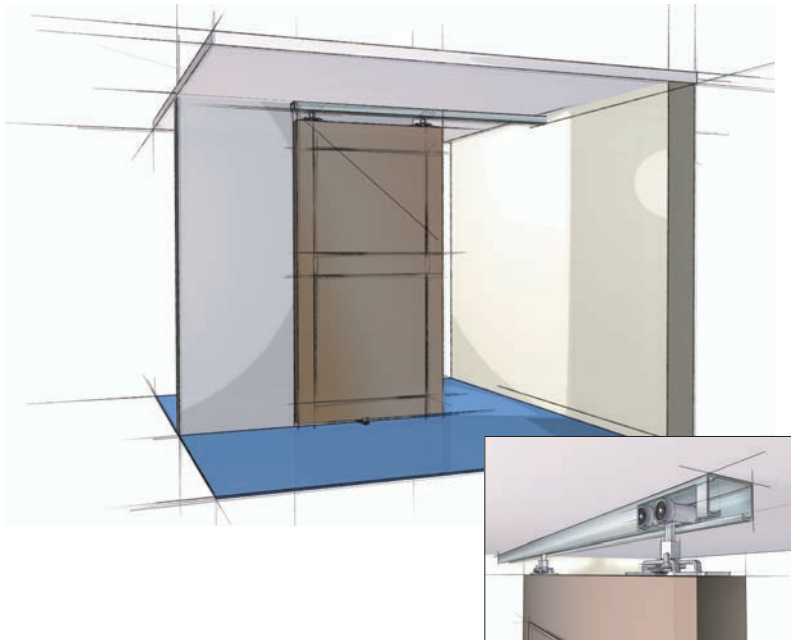
| Finish | Order no. | PU |
|-----------------|-----------|---------|
| Floor guide 110 | 050 101 | 50 sets |

Single Door Set

Grant 150E

up to 150 lbs/door (68 kg/door)

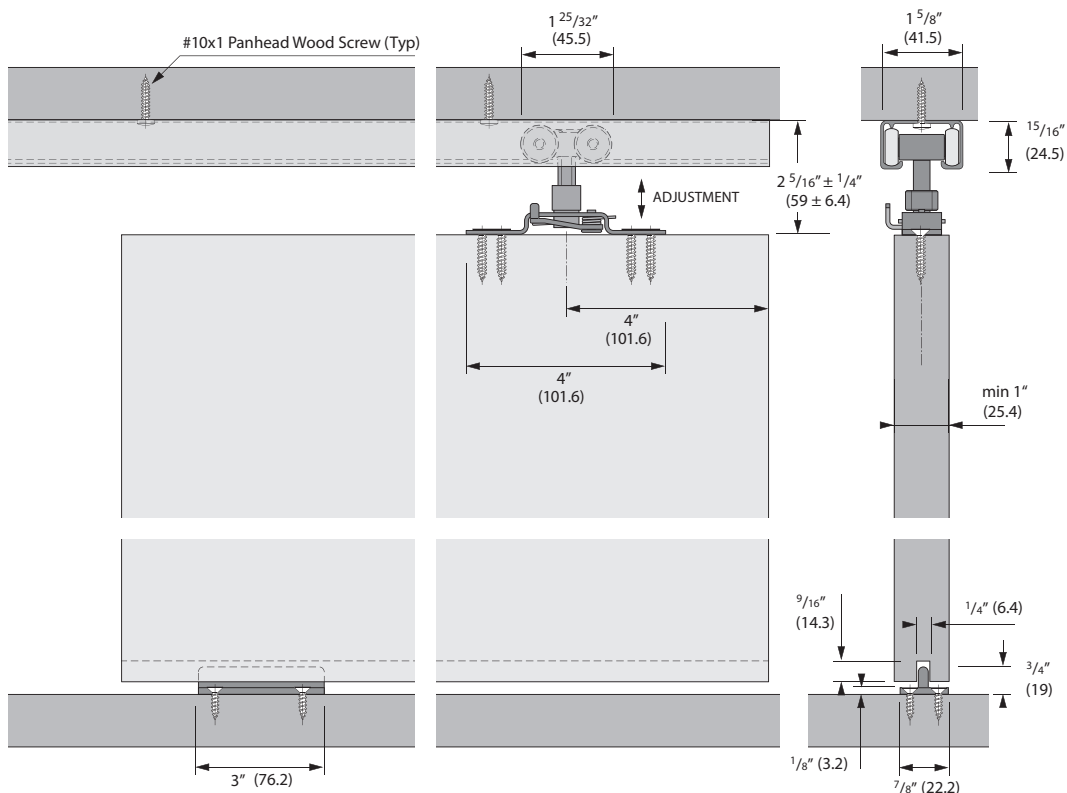
for door thickness 1" (25.4 mm) minimum, top mount, adjustable



Grant 150E

The Grant 150E Series is a medium duty commercial and residential grade sliding door hardware series ideal for single and bi-parting installations. Applications include doors between rooms, closet doors, cabinets, storage walls, and partitions.

- Precision ball bearing wheels ensure smooth, quiet, and long lasting performance
- Pre-drilled aluminum box track hides the hardware
- Spring loaded quick release mechanism for easy door installation and adjustment
- 1/2" (12.7 mm) vertical adjustment; minimal headroom required
- Track is available in lengths up to 16' (4800 mm)
- Flexible system - 150E tracks and carriers also used in Bi-fold 150 series
- Bi-parting applications achieved by adding an additional 150E Hardware set; By-pass applications can be achieved by mounting two tracks in parallel - 150E By-pass sets also available
- Meets and/or exceeds ANSI/BHMA standards



Technical specifications are subject to change without notice

Specifications:

Mounting: Top
 Adjustment: ½" (12.7 mm) vertical
 Door thickness: 1" (25.4 mm) min.
 Headroom: 2 ¼" (52.4 mm) min., 2 ⅝" (65.1 mm) max.
 Application: Single & bi-parting

Grant 150E Series door hardware is available in four purchasing options
Option I - Complete package

Includes mill finish track, hardware set, and all necessary screws

Hardware and track

| Length | Order no. | PU |
|--------------|-----------|--------|
| 4' (1200 mm) | 113 534 9 | 5 sets |
| 5' (1500 mm) | 113 535 0 | 5 sets |
| 6' (1800 mm) | 113 535 1 | 5 sets |
| 8' (2400 mm) | 113 535 2 | 5 sets |

For longer track application order hardware set and track separately

Option II

Track only

Single track 150E

Aluminum extruded, pre-drilled holes



| Length | Order no. | PU |
|---------------|-----------|------|
| 4' (1200 mm) | 113 443 1 | each |
| 5' (1500 mm) | 113 443 2 | each |
| 6' (1800 mm) | 113 443 3 | each |
| 8' (2400 mm) | 113 443 4 | each |
| 10' (3000 mm) | 113 443 5 | each |
| 12' (3600 mm) | 113 443 6 | each |
| 16' (4800 mm) | 113 443 7 | each |

Screws not included - recommend #10 Pan Head

Option III

Hardware set only

Grant 150E hardware set

(without track)

The hardware set includes:

- 2 carriers 150E with precision ball bearing wheels
- 2 quick release top plates
- 1 floor guide 7015
- necessary screws
- installation instructions

| Article | Order no. | PU |
|--------------|-----------|---------|
| Hardware set | 113 533 4 | 10 sets |

Option IV

Separate components

Grant 150E components**Carrier 150E with quick release top plate**

Four precision ball bearing wheels, adjustable

Steel, spring loaded quick release

Screws included



| Article | Order no. | PU |
|--------------|-----------|----|
| Carrier 150E | 113 516 3 | 10 |

Floor Guide 7015

Zinc diecast, for single door installations, screws included

Dimensions: 3" x 7/8" x 3/4"
(76.2 x 22.2 x 19 mm)

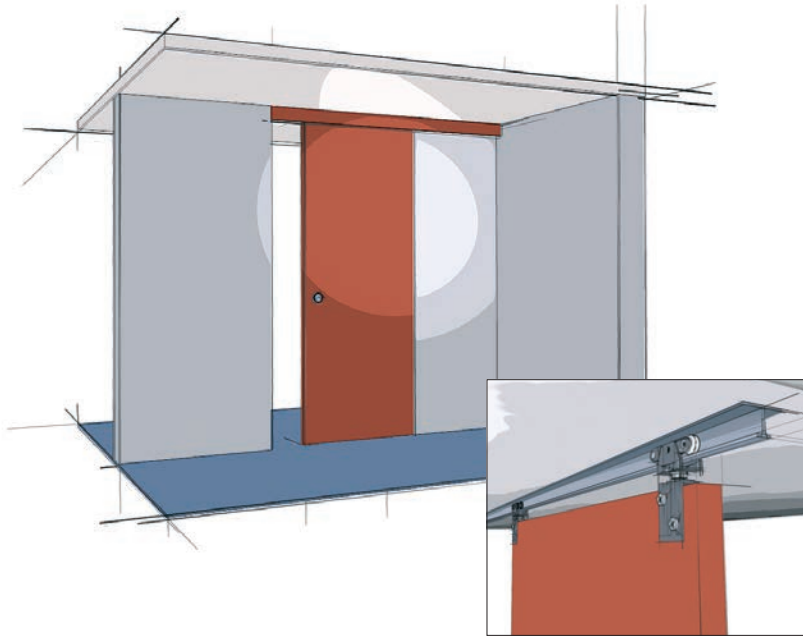
| Finish | Order no. | PU |
|------------------|-----------|---------|
| Floor guide 7015 | 050 562 | 50 sets |

Single Door Set

Top Line Grant 71-034

up to 150 lbs/door (68 kg/door)

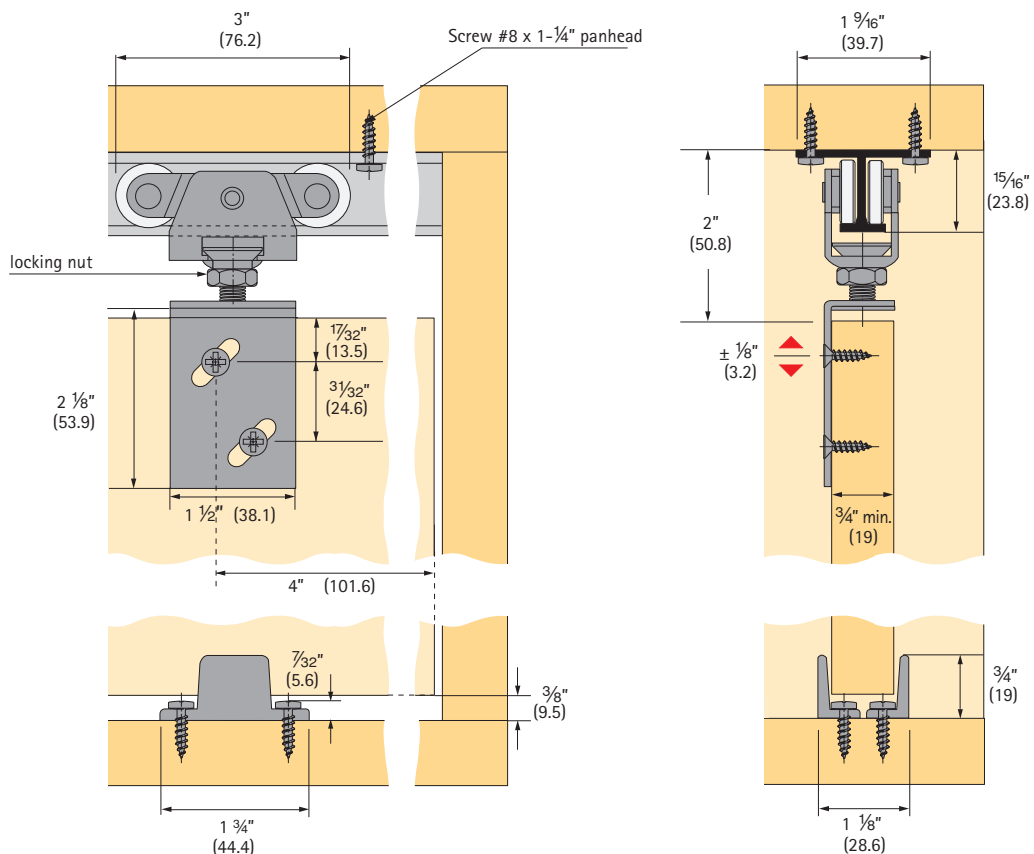
for door thickness 3/4" (19 mm) minimum, side mount, adjustable



Top Line Grant 71-034

A medium duty commercial and residential grade sliding door hardware series ideal for single and bi-parting installations. Applications include doors between rooms, closet doors, cabinets, storage walls, and partitions.

- For doors 3/4" and up weighing up to 150 lbs (68 kg), optional nylon wheel carrier up to 100 lbs (45 kg)
- Precision ball-bearing wheels ensure a smooth, quiet and long lasting performance.
- Heavy duty aluminum I-beam track; jump proof design
- Pivoting rocker arms ensure track-carrier contact.
- Ball and socket suspension compensates for minor header misalignment.
- Lock nut ensures permanent positioning.
- Serrations in apron permit vertical adjustment.
- Meets and/or exceeds ANSI/BHMA standards
- Made in USA



Technical specifications are subject to change without notice

Specifications:

Mounting: Side
 Adjustment: ¼" (6.4 mm) vertical
 Door thickness: ¾" (19 mm) min.
 Headroom: 1⅞" (47.6 mm) min., 2⅞" (53.9 mm) max.
 Application: Single & bi-parting

Top Line Grant 71-034 door hardware is available in four purchasing options

Option I

Complete package: includes track, hardware set, and all screws

Hardware and track

| Length | Order no. | PU |
|--------------|-----------|--------|
| 4' (1200 mm) | 113 334 1 | 5 sets |
| 6' (1800 mm) | 113 334 2 | 5 sets |

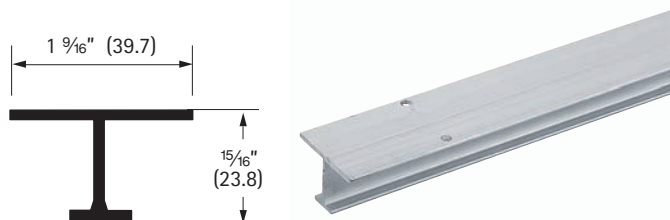
For longer track application order hardware set and track separately

Option II

Track only

Single track 7001

Aluminum extruded, pre-drilled holes



| Length | Order no. | PU |
|---------------|-----------|----|
| 4' (1200 mm) | 050 519 | 5 |
| 5' (1500 mm) | 050 520 | 5 |
| 6' (1800 mm) | 050 521 | 5 |
| 8' (2400 mm) | 050 522 | 5 |
| 10' (3000 mm) | 050 523 | 5 |
| 12' (3600 mm) | 050 524 | 5 |
| 16' (4800 mm) | 050 525 | 5 |

Screws not included - recommend #8 Pan Head

Tracks 8' and under are notched at one end for easy access

Option III

Hardware set only

Top Line Grant 71-034 hardware set
(without track)

The hardware set includes:

- 2 carriers 7000 precision ball bearing wheels
- 2 aprons 7034
- 1 floor guide 110
- 1 wrench
- necessary screws
- installation instructions

| Article | Order no. | PU |
|--------------|-----------|---------|
| Hardware set | 113 334 0 | 10 sets |

Option IV

Separate components

Top Line Grant 71-034 components

Carrier 7000 ball bearing

Steel, precision ball bearing wheels, up to 150 lbs/door (68 kg/door)



| Finish | Order no. | PU |
|-------------|-----------|-----|
| zinc-plated | 113 333 9 | 100 |

Apron 7034

Electro zinc plated, Cold rolled steel, adjustable, ¾" offset



Screws included

| Finish | Order no. | PU |
|-------------|-----------|-----|
| zinc-plated | 050 563 | 100 |

Floor guide 110

Nylon, sold in pairs

Screws included



| Finish | Order no. | PU |
|--------|-----------|---------|
| N/A | 050 101 | 50 sets |

Optional parts (not included in set)

Carrier 7000 nylon

Steel, wheel nylon, up to 100 lbs/door (45 kg/door)



| Finish | Order no. | PU |
|-------------|-----------|-----|
| zinc-plated | 113 333 8 | 100 |

Bumper stop 7014

Steel, track mounted, rubber stop, 2 required per track



| Finish | Order no. | PU |
|-------------|-----------|----|
| zinc-plated | 050 561 | 20 |

Specifications:

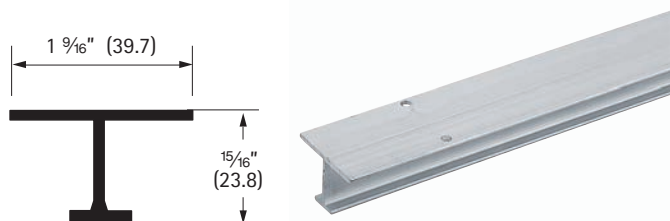
Mounting: Top
 Adjustment: None
 Door thickness: 3/4" (19 mm) min.
 Headroom: 1 15/16" (49.2 mm)
 Application: Single & bi-parting

Top Line Grant 71 - 111 door hardware is available in two purchasing options (not available in sets)

Option I
Track only

Single track 7001

Aluminum extruded, pre-drilled holes



| Length | Order no. | PU |
|---------------|-----------|----|
| 4' (1200 mm) | 050 519 | 5 |
| 5' (1500 mm) | 050 520 | 5 |
| 6' (1800 mm) | 050 521 | 5 |
| 8' (2400 mm) | 050 522 | 5 |
| 10' (3000 mm) | 050 523 | 5 |
| 12' (3600 mm) | 050 524 | 5 |
| 16' (4800 mm) | 050 525 | 5 |

Screws not included - recommend #8 Pan Head
 Tracks 8' and under are notched at one end for easy access

Option II
Separate components

Top Line Grant 71-111 components

Carrier 7000 ball bearing

Steel, precision ball bearing wheels, up to 150 lbs/door (68 kg/door)



| Finish | Order no. | PU |
|-------------|-----------|-----|
| zinc-plated | 113 333 9 | 100 |

Carrier 7000 nylon

Steel, wheel nylon, up to 100 lbs/door (45 kg/door)



| Finish | Order no. | PU |
|-------------|-----------|-----|
| zinc-plated | 113 333 8 | 100 |

Top plate 7111

Steel, with pendant bolt, non adjustable

Screws included



| Finish | Order no. | PU |
|-------------|-----------|-----|
| zinc-plated | 050 564 | 100 |

Floor guide 110

Nylon, sold in pairs

Screws included



| Finish | Order no. | PU |
|--------|-----------|---------|
| N/A | 050 101 | 50 sets |

Bumper stop 7014

Steel, track mounted, rubber stop, 2 required per track



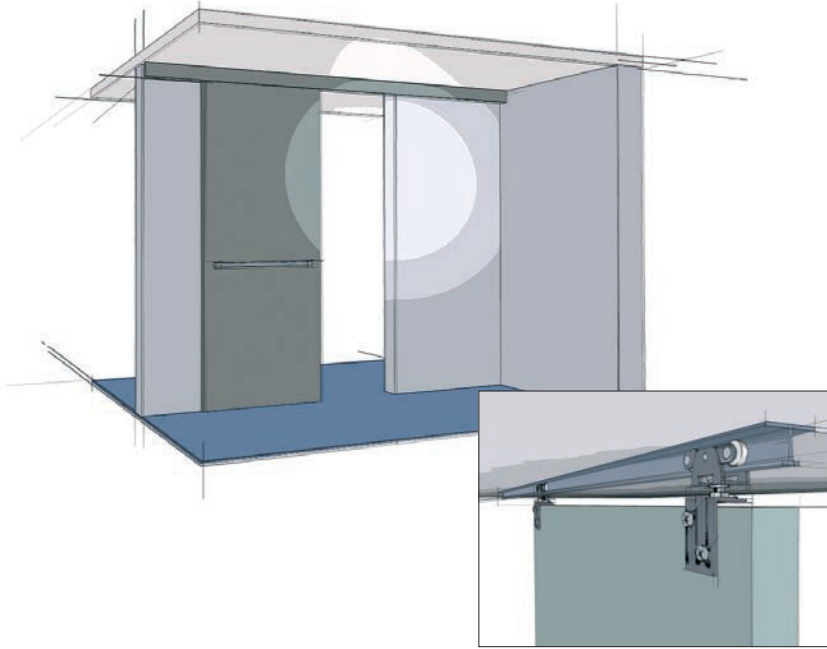
| Finish | Order no. | PU |
|-------------|-----------|----|
| zinc-plated | 050 561 | 20 |

Single Door Set

Top Line Grant 71-138

up to 150 lbs/door (68 kg/door)

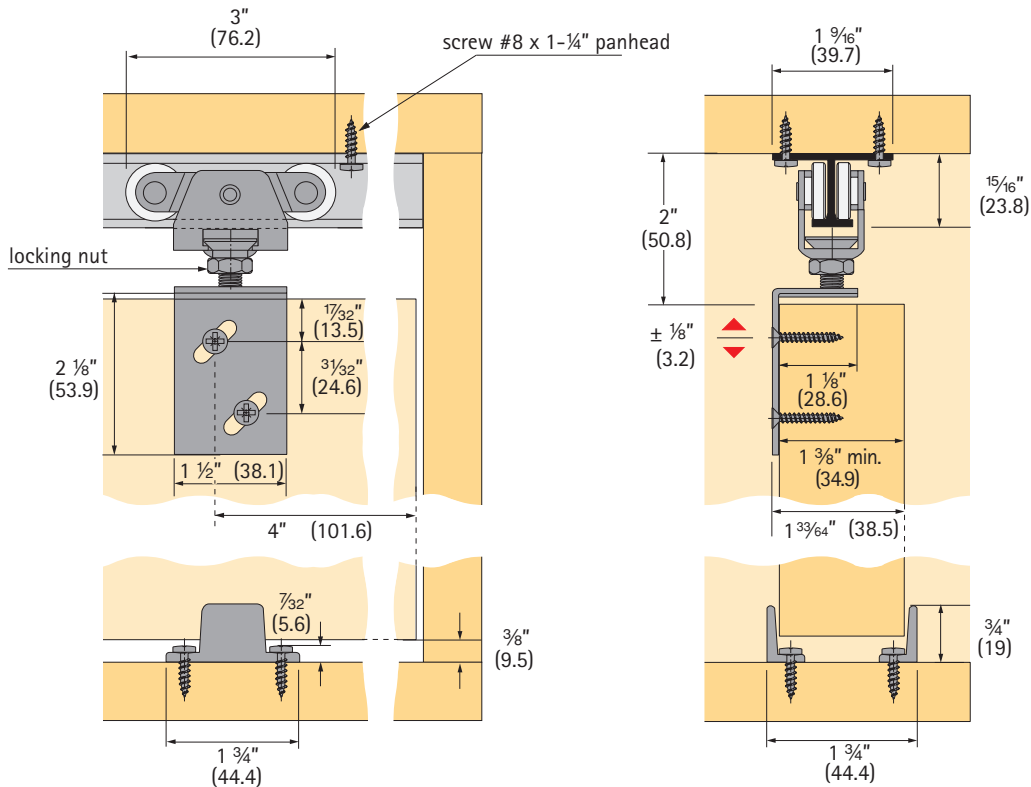
for door thickness 1 3/8" (34.9 mm) minimum, side mount, adjustable



Top Line Grant 71-138

A medium duty commercial and residential grade sliding door hardware series ideal for single and bi-parting installations. Applications include doors between rooms, closet doors, cabinets, storage walls, and partitions.

- For doors 1 3/8" and up weighing up to 150 lbs (68 kg), optional nylon wheel carrier up to 100 lbs (45 kg)
- Precision ball-bearing wheels ensure a smooth, quiet and long lasting performance.
- Heavy duty aluminum I-beam track; jump proof design
- Pivoting rocker arms ensure track-carrier contact.
- Ball and socket suspension compensates for minor header misalignment.
- Lock nut ensures permanent positioning.
- Serrations in apron permit vertical adjustment.
- Meets and/or exceeds ANSI/BHMA standards
- Made in USA



Technical specifications are subject to change without notice

Specifications:

Mounting: Side
 Adjustment: ¼" (6.4 mm) vertical
 Door thickness: 1⅜" (34.9 mm) min.
 Headroom: 1⅞" (47.6 mm) min., 2⅞" (53.9 mm) max.
 Application: Single & bi-parting

Top Line Grant 71-138 door hardware is available in four purchasing options

Option I

Complete package: includes track, hardware set, and all screws

Hardware and track

| Article | Order no. | PU |
|--------------|-----------|--------|
| 6' (1800 mm) | 113 334 4 | 5 sets |

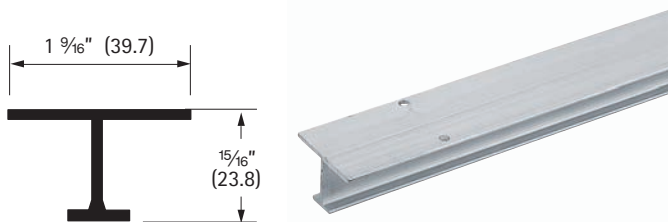
For longer track application order hardware set and track separately

Option II

Track only

Single track 7001

Aluminum extruded, pre-drilled holes



| Length | Order no. | PU |
|---------------|-----------|----|
| 4' (1200 mm) | 050 519 | 5 |
| 5' (1500 mm) | 050 520 | 5 |
| 6' (1800 mm) | 050 521 | 5 |
| 8' (2400 mm) | 050 522 | 5 |
| 10' (3000 mm) | 050 523 | 5 |
| 12' (3600 mm) | 050 524 | 5 |
| 16' (4800 mm) | 050 525 | 5 |

Screws not included - recommend #8 Pan Head

Tracks 8' and under are notched at one end for easy access

Option III

Hardware set only

Top Line Grant 71-138 hardware set
(without track)

The hardware set includes:

- 2 carriers 7000 precision ball bearing wheels
- 2 aprons 7138
- 1 floor guide 110
- 1 wrench
- necessary screws
- installation instructions

| Article | Order no. | PU |
|--------------|-----------|---------|
| Hardware set | 113 334 3 | 10 sets |

Option IV

Separate components

Top Line Grant 71-138 components

Carrier 7000 ball bearing

Steel, precision ball bearing wheels, up to 150 lbs/door (68 kg/door)



| Finish | Order no. | PU |
|-------------|-----------|-----|
| zinc-plated | 113 333 9 | 100 |

Apron 7138

Cold rolled steel, adjustable, 1 ⅛" offset

Screws included



| Finish | Order no. | PU |
|-------------|-----------|-----|
| zinc-plated | 050 565 | 100 |

Floor guide 110

Nylon, sold in pairs

Screws included



| Finish | Order no. | PU |
|--------|-----------|---------|
| N/A | 050 101 | 50 sets |

Optional parts (not included in set)

Carrier 7000 nylon

Steel, wheel nylon, up to 100 lbs/door (45 kg/door)

Screws included



| Finish | Order no. | PU |
|-------------|-----------|-----|
| zinc-plated | 113 333 8 | 100 |

Bumper stop 7014

Steel, track mounted, rubber stop, 2 required per track



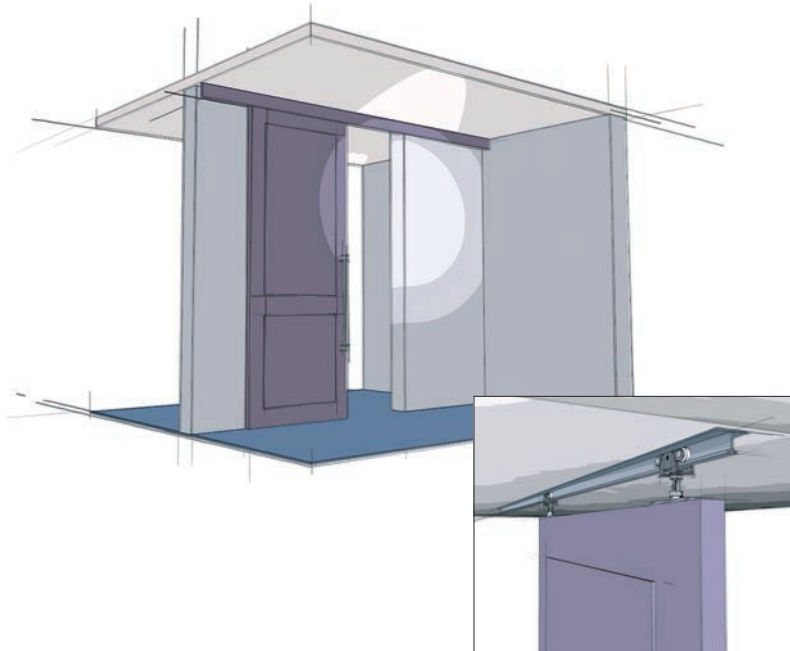
| Finish | Order no. | PU |
|-------------|-----------|----|
| zinc-plated | 050 561 | 20 |

Single Door Set

Top Line Grant 71-222

up to 150 lbs/door (68 kg/door)

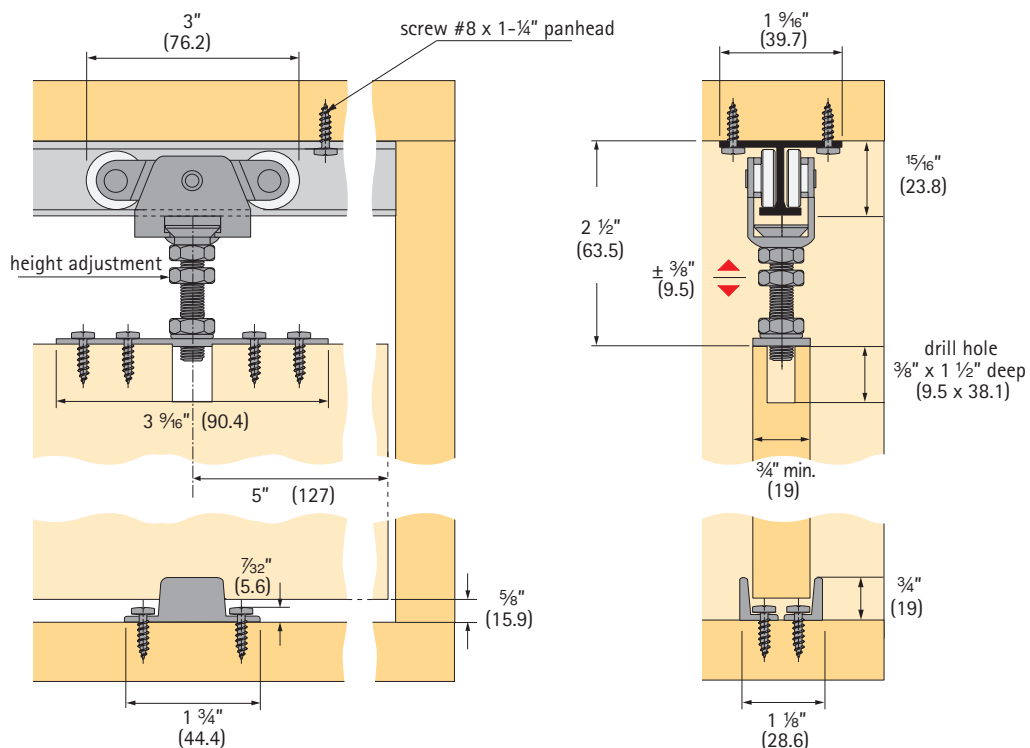
for door thickness $\frac{3}{4}$ " (19 mm) minimum, top mount, adjustable



Top Line Grant 71-222

A medium duty commercial and residential grade sliding door hardware series ideal for single and bi-parting installations. Applications include doors between rooms, closet doors, cabinets, storage walls, and partitions.

- For doors $\frac{3}{4}$ " and up weighing up to 150 lbs (68 kg), optional nylon wheel carrier up to 100 lbs (45 kg)
- Precision ball-bearing wheels ensure a smooth, quiet and long lasting performance.
- Heavy duty aluminum I-beam track; jump proof design
- Pivoting rocker arms ensure track-carrier contact.
- Ball and socket suspension compensates for minor header misalignment.
- Lock nut ensures permanent positioning.
- Vertical adjustment $\frac{3}{4}$ " (19.1 mm)
- Meets and/or exceeds ANSI/BHMA standards
- Made in USA



Specifications:

Mounting: Top
 Adjustment: 3/4" (19 mm) vertical
 Door thickness: 3/4" (19 mm) min.
 Headroom: 2 1/8" (53.9 mm) min., 2 7/8" (73 mm) max.
 Application: Single & bi-parting

Top Line Grant 71-222 door hardware is available in four purchasing options

Option I

Complete package: includes track, hardware set, and all screws

Hardware and track

| Length | Order no. | PU |
|--------------|-----------|--------|
| 4' (1200 mm) | 113 334 6 | 5 sets |
| 5' (1500 mm) | 113 334 7 | 5 sets |
| 6' (1800 mm) | 113 334 8 | 5 sets |
| 8' (2400 mm) | 113 334 9 | 5 sets |

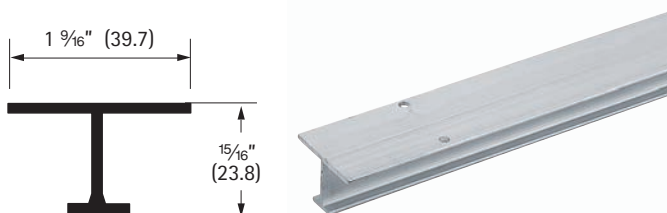
For longer track application order hardware set and track separately

Option II

Track only

Single track 7001

Aluminum extruded, pre-drilled holes



| Length | Order no. | PU |
|---------------|-----------|----|
| 4' (1200 mm) | 050 519 | 5 |
| 5' (1500 mm) | 050 520 | 5 |
| 6' (1800 mm) | 050 521 | 5 |
| 8' (2400 mm) | 050 522 | 5 |
| 10' (3000 mm) | 050 523 | 5 |
| 12' (3600 mm) | 050 524 | 5 |
| 16' (4800 mm) | 050 525 | 5 |

Screws not included - recommend #8 Pan Head
 Tracks 8' and under are notched at one end for easy access

Option III

Hardware set only

Top Line Grant 71-222 hardware set
 (without track)

The hardware set includes:
 2 carriers 7000 precision ball bearing wheels
 2 top plates with adjustable pendant bolts 7222
 1 floor guide 110
 1 wrench
 necessary screws
 installation instructions

| Article | Order no. | PU |
|--------------|-----------|---------|
| Hardware set | 113 334 5 | 10 sets |

Option IV

Separate components

Top Line Grant 71-222 components

Carrier 7000 ball bearing

Steel, precision ball bearing wheels,
 up to 150 lbs/door (68 kg/door)



| Finish | Order no. | PU |
|-------------|-----------|-----|
| zinc-plated | 113 333 9 | 100 |

Top plate 7222

Steel,
 with pendant bolt, adjustable
 Screws included



| Finish | Order no. | PU |
|-------------|-----------|----|
| zinc-plated | 050 566 | 50 |

Floor guide 110

Nylon, sold in pairs
 Screws included



| Finish | Order no. | PU |
|--------|-----------|---------|
| N/A | 050 101 | 50 sets |

Optional parts (not included in set)

Carrier 7000 nylon

Steel, wheel nylon,
 up to 100 lbs/door (45 kg/door)



| Finish | Order no. | PU |
|-------------|-----------|-----|
| zinc-plated | 113 333 8 | 100 |

Bumper stop 7014

Steel, track mounted,
 rubber stop, 2 required per track



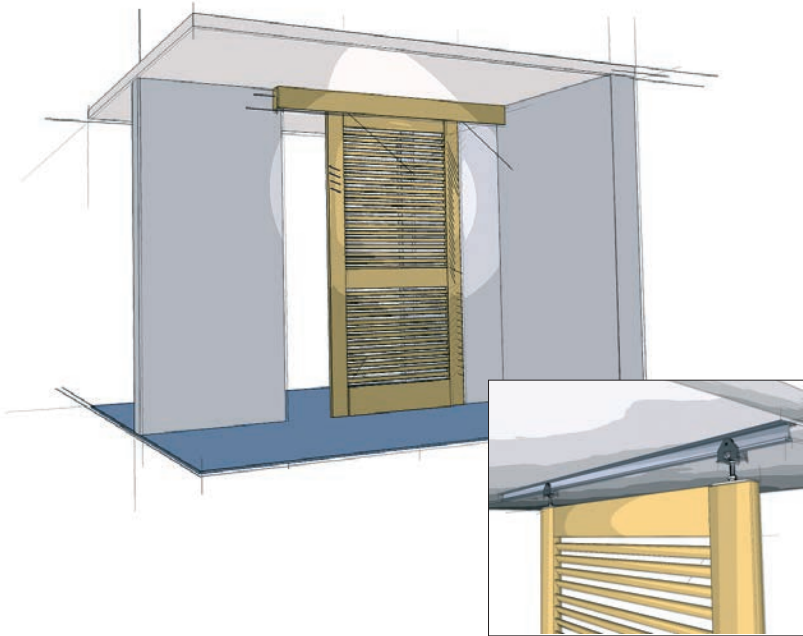
| Finish | Order no. | PU |
|-------------|-----------|----|
| zinc-plated | 050 561 | 20 |

Single Door Set for Bi-parting, By-passing and Pocket Doors

Top Line Grant 1210

up to 225 lbs/door (102 kg/door)

for door thickness 1" (25.4 mm) minimum, top mount, adjustable



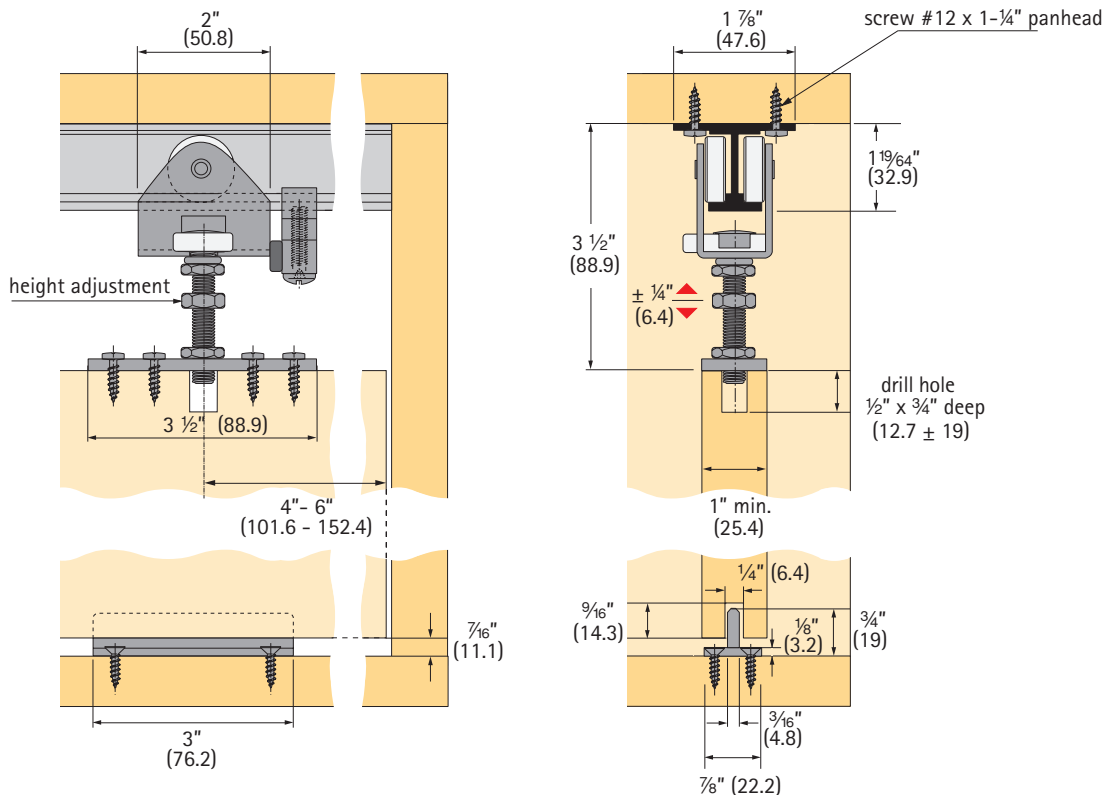
Top Line Grant 1210

A heavy duty commercial and residential grade sliding door hardware series ideal for design applications which require the movement of heavy panels, space dividers or large doors.

- For doors 1" and up weighing up to 225 lbs/door (102 kg/door)
- Precision ball-bearing wheels ensure a smooth, quiet and effortless operation.
- Two wheel carrier, center hung for efficient operation
- Vertical adjustment 1/2" (12.7 mm)
- Heavy duty aluminum I-beam track; jump proof design
- Meets and/or exceeds ANSI/BHMA standards
- Made in USA

For by-passing doors mount parallel tracks

For bi-parting doors use an additional set of hardware



Technical specifications are subject to change without notice

Specifications:

Mounting: Top
 Adjustment: 1/2" (12.7 mm) vertical
 Door thickness: 1" (25.4 mm) min.
 Headroom: 3 1/4" (82.5 mm) min., 3 3/4" (95.2 mm) max.
 Application: Single, bi-parting, by-passing

Top Line Grant 1210 door hardware is available in four purchasing options

Option I

Complete package: includes track, hardware set, and all screws

Hardware and track

| Length | Order no. | PU |
|---------------|-----------|--------|
| 6' (1800 mm) | 113 327 3 | 5 sets |
| 8' (2400 mm) | 113 327 4 | 5 sets |
| 10' (3000 mm) | 113 327 5 | 5 sets |
| 12' (3600 mm) | 113 327 6 | 5 sets |

For longer track application order hardware set and track separately

Option II

Track only

Single track 1201

Aluminum extruded, pre-drilled holes



| Length | Order no. | PU |
|---------------|-----------|----|
| 4' (1200 mm) | 050 121 | 5 |
| 5' (1500 mm) | 050 122 | 5 |
| 6' (1800 mm) | 050 123 | 5 |
| 8' (2400 mm) | 050 124 | 5 |
| 10' (3000 mm) | 050 125 | 5 |
| 12' (3600 mm) | 050 126 | 5 |
| 16' (4800 mm) | 050 127 | 5 |

Screws not included – recommend #12 Pan Head

Option III

Hardware set only

Top Line Grant 1210 hardware set (without track)

The hardware set includes:
 2 carriers 1202 precision ball bearings
 1 floor guide 7015
 necessary screws
 installation instructions

| Article | Order no. | PU |
|--------------|-----------|---------|
| Hardware set | 113 327 2 | 10 sets |

Option IV

Separate components

Top Line Grant 1210 components

Carrier 1202

Steel, two wheels, precision bearings, with pendant and top plate

Screws included



| Finish | Order no. | PU |
|-------------|-----------|----|
| zinc-plated | 113 327 0 | 20 |

Floor guide 7015

Zinc diecast

Dimensions:

3" x 7/8" x 3/4" (76.2 x 22.2 x 19 mm)

Screws included



| Finish | Order no. | PU |
|--------|-----------|----|
| N/A | 050 562 | 50 |

Optional parts (not included in set)

Bumper stop 1212

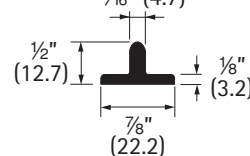
Aluminum, with rubber bumper



| Article | Order no. | PU |
|-------------|-----------|----|
| Bumper stop | 050 139 | 1 |

Continuous floor guide 2014

Aluminum 3/16" (4.7)



| Length | Order no. | PU |
|---------------|-----------|----|
| 6' (1800 mm) | 050 448 | 5 |
| 8' (2400 mm) | 050 449 | 5 |
| 10' (3000 mm) | 050 450 | 5 |
| 12' (3600 mm) | 050 451 | 5 |

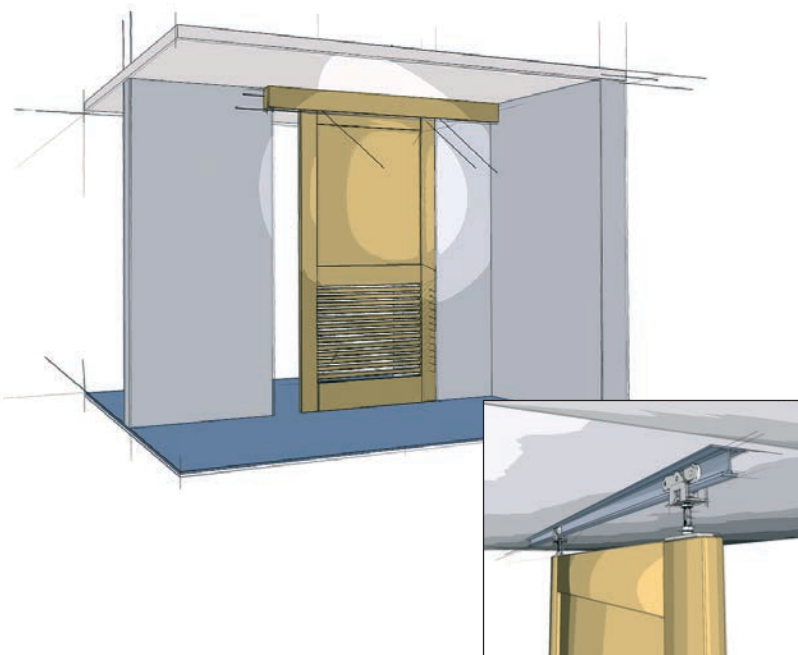
Screws not included – recommend #6 Flat Head, pre-drilled holes

Single Door Set for Bi-parting, By-passing and Pocket Doors

Top Line Grant 1230

up to 325 lbs/door (147 kg/door)

for door thickness 1" (25.4 mm) minimum, top mount, adjustable



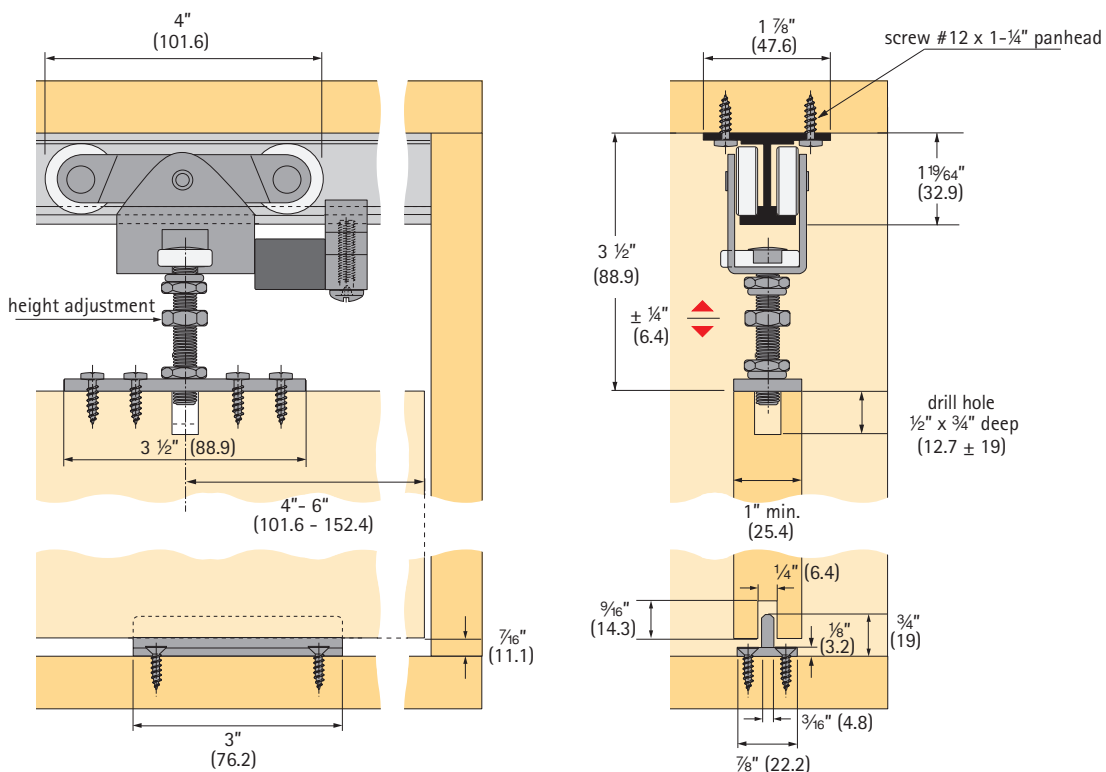
Top Line Grant 1230

A heavy duty commercial and residential grade sliding door hardware series ideal for design applications which require the movement of heavy panels, space dividers or large doors.

- For doors 1" and up weighing up to 325 lbs/door (147 kg/door)
- Precision ball-bearing wheels ensure a smooth, quiet and effortless operation.
- Four wheel carrier, center hung for efficient operation
- Vertical adjustment 1/2" (12.7 mm)
- Heavy duty aluminum I-beam track; jump proof design
- Meets and/or exceeds ANSI/BHMA standards
- Made in USA

For by-passing doors mount parallel tracks

For bi-parting doors use an additional set of hardware



Technical specifications are subject to change without notice

Specifications:

Mounting: Top
 Adjustment: ½" (12.7 mm) vertical
 Door thickness: 1" (25.4 mm) min.
 Headroom: 3¼" (82.5 mm) min., 3¾" (95.2 mm) max.
 Application: Single, bi-parting, by-passing

Top Line Grant 1230 door hardware is available in four purchasing options

Option I

Complete package: includes track, hardware set, and all screws

Hardware and track

| Length | Order no. | PU |
|---------------|-----------|--------|
| 5' (1500 mm) | 113 327 9 | 5 sets |
| 6' (1800 mm) | 113 328 0 | 5 sets |
| 7' (2100 mm) | 113 328 1 | 5 sets |
| 8' (2400 mm) | 113 418 1 | 5 sets |
| 10' (3000 mm) | 113 328 2 | 5 sets |
| 12' (3600 mm) | 113 328 3 | 5 sets |

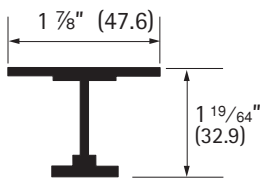
For longer track application order hardware set and track separately

Option II

Track only

Single track 1201

Aluminum extruded, pre-drilled holes



| Length | Order no. | PU |
|---------------|-----------|----|
| 4' (1200 mm) | 050 121 | 5 |
| 5' (1500 mm) | 050 122 | 5 |
| 6' (1800 mm) | 050 123 | 5 |
| 8' (2400 mm) | 050 124 | 5 |
| 10' (3000 mm) | 050 125 | 5 |
| 12' (3600 mm) | 050 126 | 5 |
| 16' (4800 mm) | 050 127 | 5 |

Screws not included – recommend #12 Pan Head

Option III

Hardware set only

Top Line Grant 1230 hardware set
(without track)

The hardware set includes:
 2 carriers 1205 precision ball bearings
 1 floor guide 7015
 necessary screws
 installation instructions

| Article | Order no. | PU |
|--------------|-----------|---------|
| Hardware set | 113 327 8 | 10 sets |

Option IV

Separate components

Top Line Grant 1230 components



Carrier 1205

Steel, four wheels, precision bearings, with pendant and top plate

Screws included

| Finish | Order no. | PU |
|-------------|-----------|----|
| zinc-plated | 113 327 1 | 10 |

Floor guide 7015

Zinc diecast

Dimensions:

3" x 7/8" x 3/4" (76.2 x 22.2 x 19 mm)

Screws included

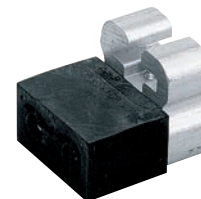


| Finish | Order no. | PU |
|--------|-----------|----|
| N/A | 050 562 | 50 |

Optional parts (not included in set)

Bumper stop 1213

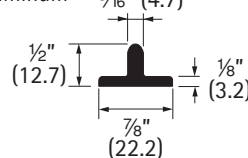
Aluminum, with rubber bumper



| Article | Order no. | PU |
|-------------|-----------|----|
| Bumper stop | 050 140 | 1 |

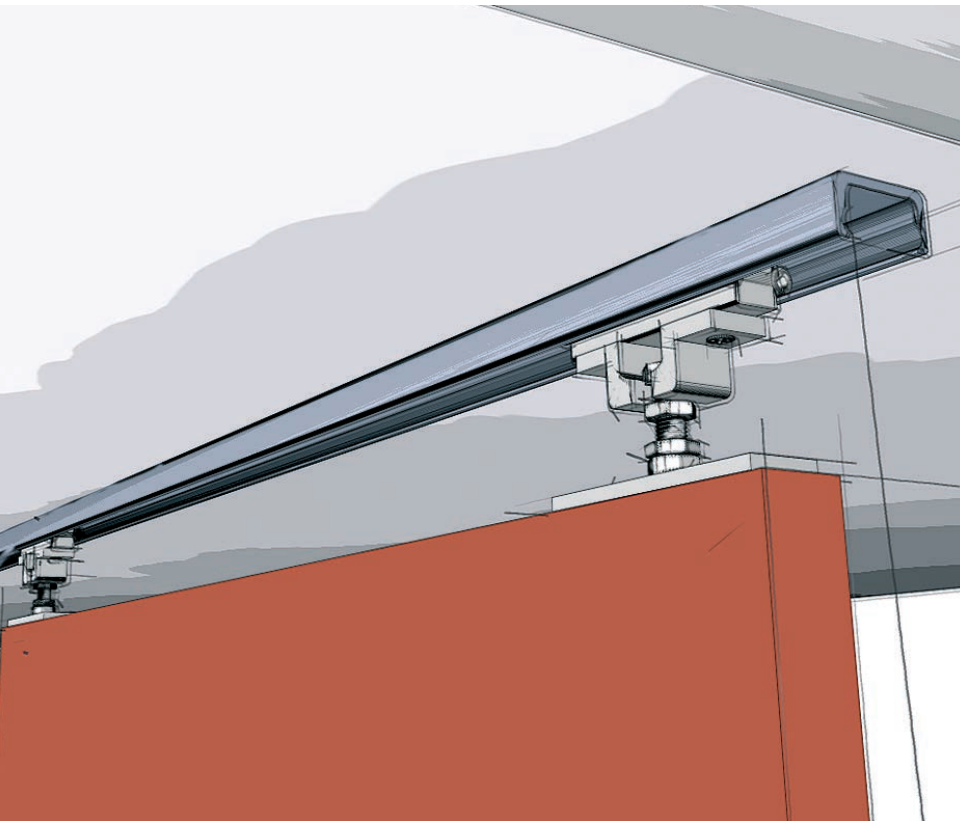
Continuous floor guide 2014

Aluminum



| Length | Order no. | PU |
|---------------|-----------|----|
| 6' (1800 mm) | 050 448 | 5 |
| 8' (2400 mm) | 050 449 | 5 |
| 10' (3000 mm) | 050 450 | 5 |
| 12' (3600 mm) | 050 451 | 5 |

Screws not included – recommend #6 Flat Head, pre-drilled holes



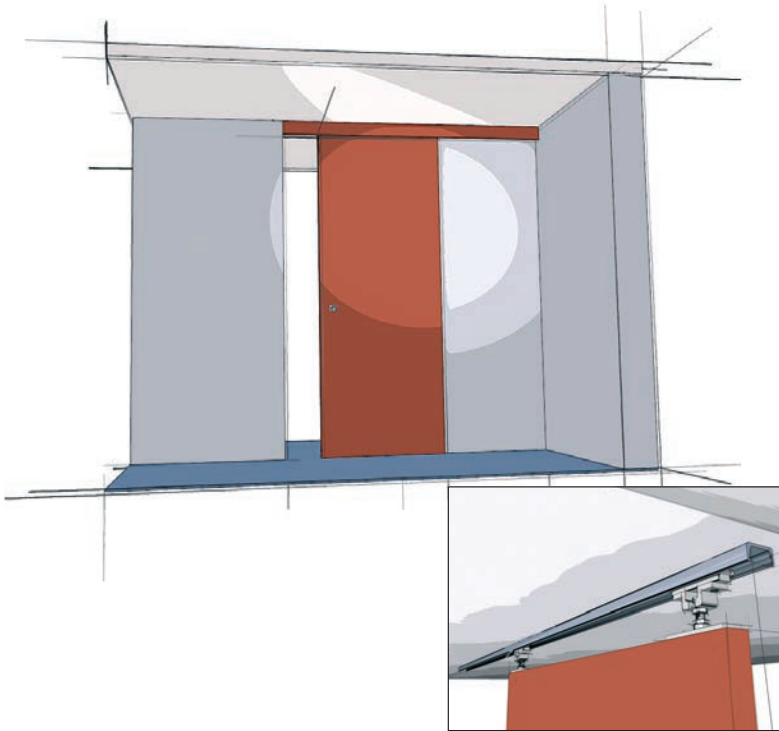
Grant® Continuous Ball Bearing Hanger Systems
for Sliding Doors

Single Door Hanger System

Top Line Grant 5150

up to 150 lbs/door (68 kg/door)

for door thickness 1" (25.4 mm) minimum, top mount, adjustable



Top Line Grant 5150

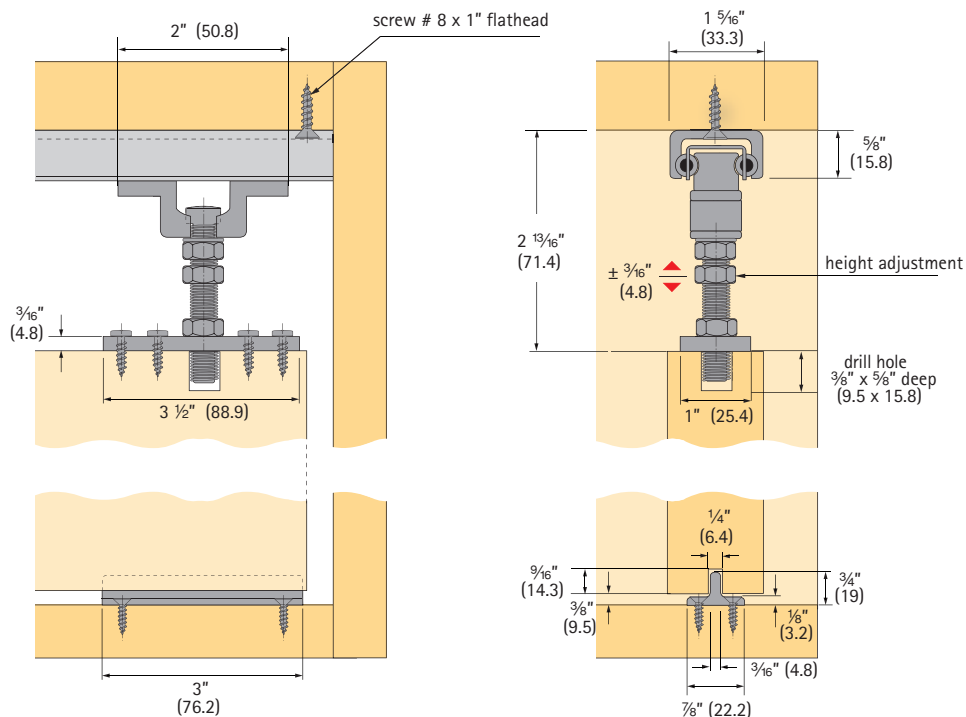
A custom made continuous ball bearing hanger set ideal for medium duty commercial and residential grade applications such as doors, movable walls, partitions and sliding glass doors weighing up to 150 lbs (68 kg).

A non-corrosive option is also available for exterior applications.

Each set is individually made to your specifications. Custom components are hand-milled to proper dimensions and completely inspected before leaving the factory.

- Continuous ball bearing action makes doors, walls and partitions easy to operate, so smooth and safe that architects have been specifying for years.
- Exclusive ball retainer; the use of continuous ball bearings results in unsurpassed smoothness and perfection in operation.
- Vertical adjustment
- Non-corrosive sets are available upon request.
- Meets and/or exceeds ANSI/BHMA standards
- Made in USA

The 5150 Hanger system is designed for one door per system, for by-passing door applications mount two systems in parallel, and for bi-parting applications mount two systems end to end.



Specifications:

| | |
|-----------------|---------------------------------------------------------------------------------------|
| Mounting: | Top |
| Adjustment: | 3/8" (9.5 mm) vertical |
| Door thickness: | 1" (25.4 mm) min. |
| Headroom: | 2 5/8" (66.7 mm) min., 3" (76.2 mm) max. |
| Application: | Single door per system, by-passing mount parallel tracks, bi-parting mount end to end |

Important ordering information for series 5150**1. Hardware set includes:**

- track with ball bearings
- door hangers
- heavy duty rubber bumper stop, 3/8" (9.5 mm) diameter
- floor guide 7015
- screws
- installation instructions

2. Order information requirements:

- door thickness
- door width (not track length or opening width)
- door travel (desired net door travel not total track length)
- door weight
- internal or external application
- type of application (pocket, bi-parting, by-passing etc.)

Material:

Standard, Interior applications: aluminum

Non-corrosive, Exterior applications:
aluminum with stainless steel components

Maximum length: 196" (5000 mm)

Max Door width: 96" (2400 mm)

Maximum Load Capacity - Interior: 150 lbs (68 kg)/door

Maximum Load Capacity - Exterior: 150 lbs (68 kg)/door

Series 5150 hardware sets are **by special order only**.

Upon ordering we will generate a drawing for your review and signature. Because each and every hanger system is custom made for your particular opening, upon receipt of purchase order the door set(s) are **non-cancellable and non-returnable**.

Note:

In order for each custom track to operate correctly, it is important that track is not altered in the field.

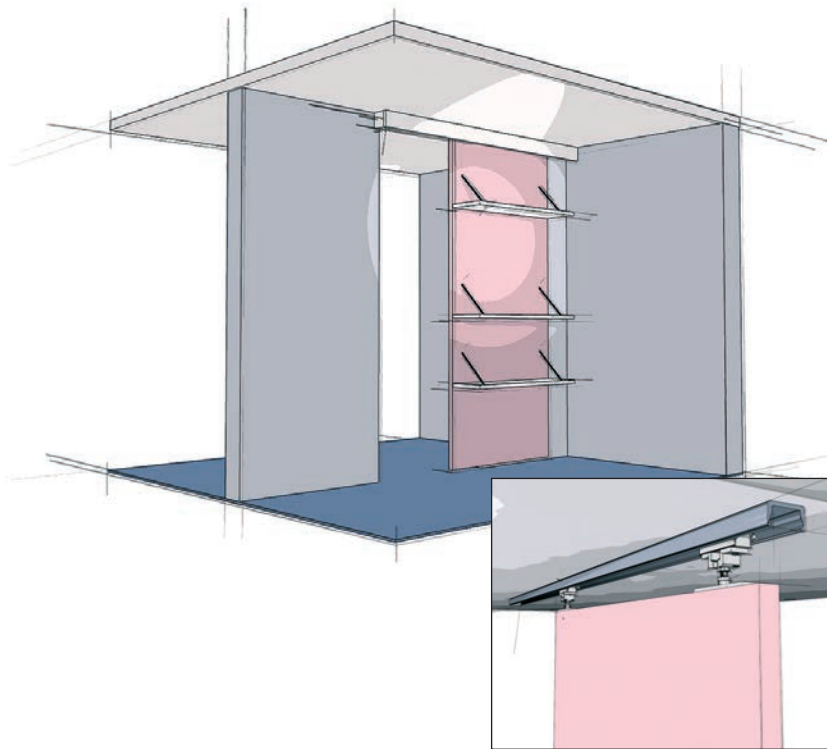
Please contact customer service to initiate order request.

Single Door Hanger System

Top Line Grant 5300

up to 1000 lbs/door (454 kg/door)

for door thickness 1" (25.4 mm) minimum, top mount, adjustable



Top Line Grant 5300

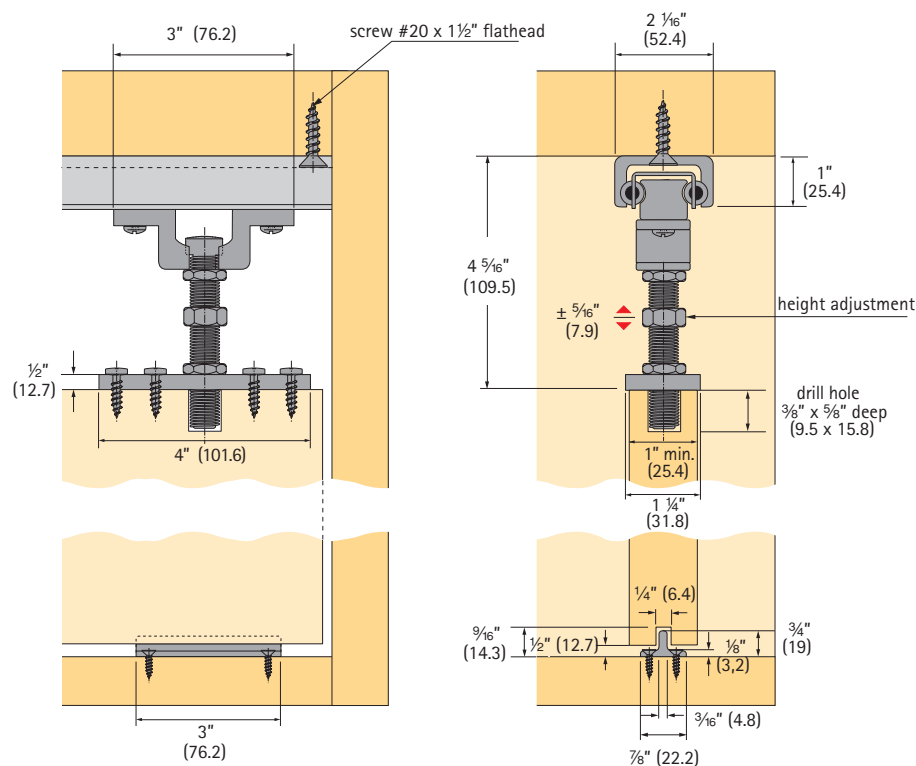
A custom made continuous ball bearing hanger set ideal for heavy and super heavy duty commercial and residential grade applications such as doors, movable walls, partitions and sliding glass doors weighing up to 1000 lbs (454 kg).

A non-corrosive version for exterior applications is also available for doors weighing up to 500 lbs (227 kg)

Each set is individually made to your specifications. Custom components are hand-milled to proper dimensions and completely inspected before leaving the factory.

- Continuous ball bearing action makes doors, walls and partitions easy to operate, so smooth and safe that architects have been specifying for years.
- Exclusive ball retainer; the use of continuous ball bearings results in unsurpassed smoothness and perfection in operation.
- Vertical adjustment
- Non-corrosive sets available upon request.
- Meets and/or exceeds ANSI/BHMA standards
- Made in USA

The 5300 Hanger system is designed for one door per system, for by-passing door applications mount two systems in parallel, and for bi-parting applications mount two systems end to end.



Technical specifications are subject to change without notice

Specifications:

Mounting: Top
Adjustment: $\frac{5}{8}$ " (15.9 mm) vertical
Door thickness: 1" (25.4 mm) min.
Headroom: 4" (101.6 mm) min., 4 $\frac{5}{8}$ " (117.5 mm) max
Application: Single door per system, by-passing mount parallel tracks, bi-parting mount end to end

Important ordering information for series 5300**1. Hardware set includes:**

- track with ball bearings
- door hangers
- heavy duty rubber bumper stop, 7/8" (22.2 mm) diameter
- floor guide 7015
- screws
- installation instructions

2. Order information requirements:

- door thickness
- door width (not track length or opening width)
- door travel (desired net door travel not total track length)
- door weight
- internal or external application
- type of application (pocket, bi-parting, by-passing etc.)

Material:

Standard, Interior applications: aluminum

Non-corrosive, Exterior applications:
aluminum with stainless steel components

Maximum length: 384" (9800 mm)

Max Door width: 192" (4800 mm)

Maximum Load Capacity - Interior: 1000 lbs (454 kg)/door

Maximum Load Capacity - Exterior: 500 lbs (227 kg)/door

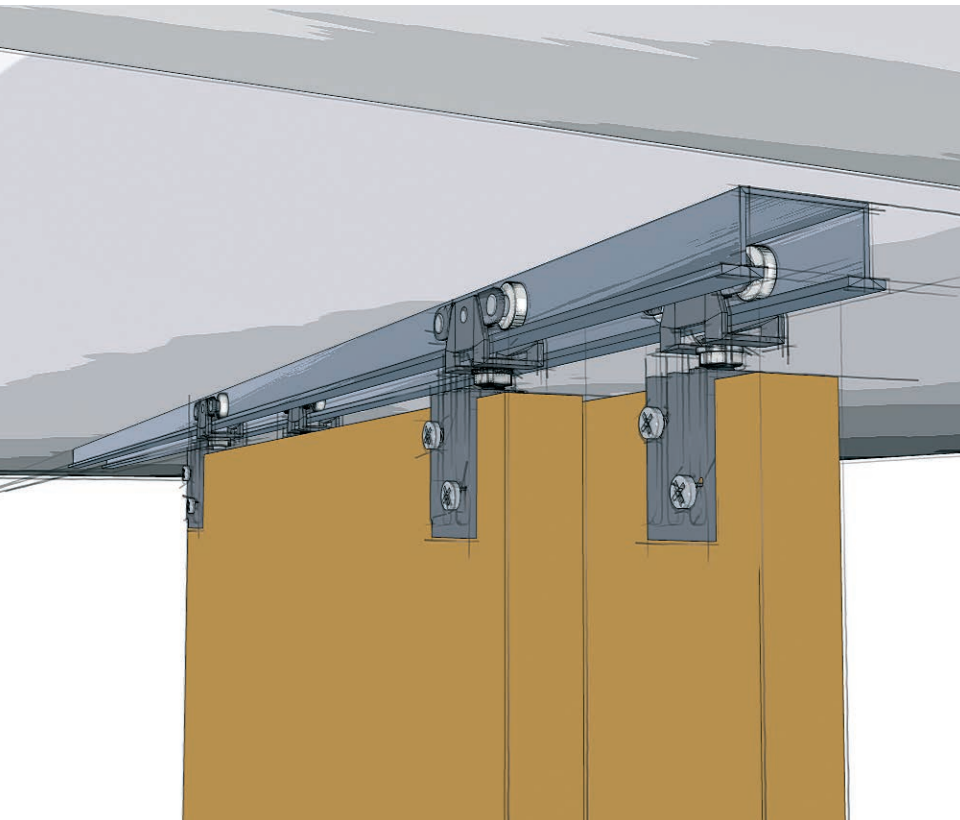
Series 5300 hardware sets are **by special order only**.

Upon ordering we will generate a drawing for your review and signature. Because each and every hanger system is custom made for your particular opening, upon receipt of purchase order the door set(s) are **non-cancellable and non-returnable**.

Note:

In order for each custom track to operate correctly, it is important that track is not altered in the field.

Please contact customer service to initiate order request.



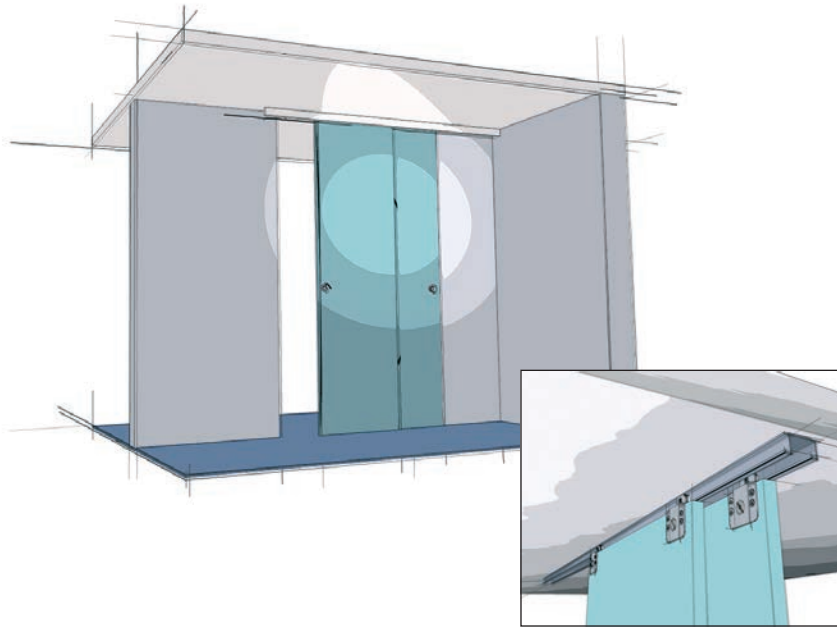
Grant® By-Pass Door Sets
for Sliding Doors

By-passing Door Sets

Top Line Grant 6034

up to 50 lbs/door (23 kg/door), for door thickness

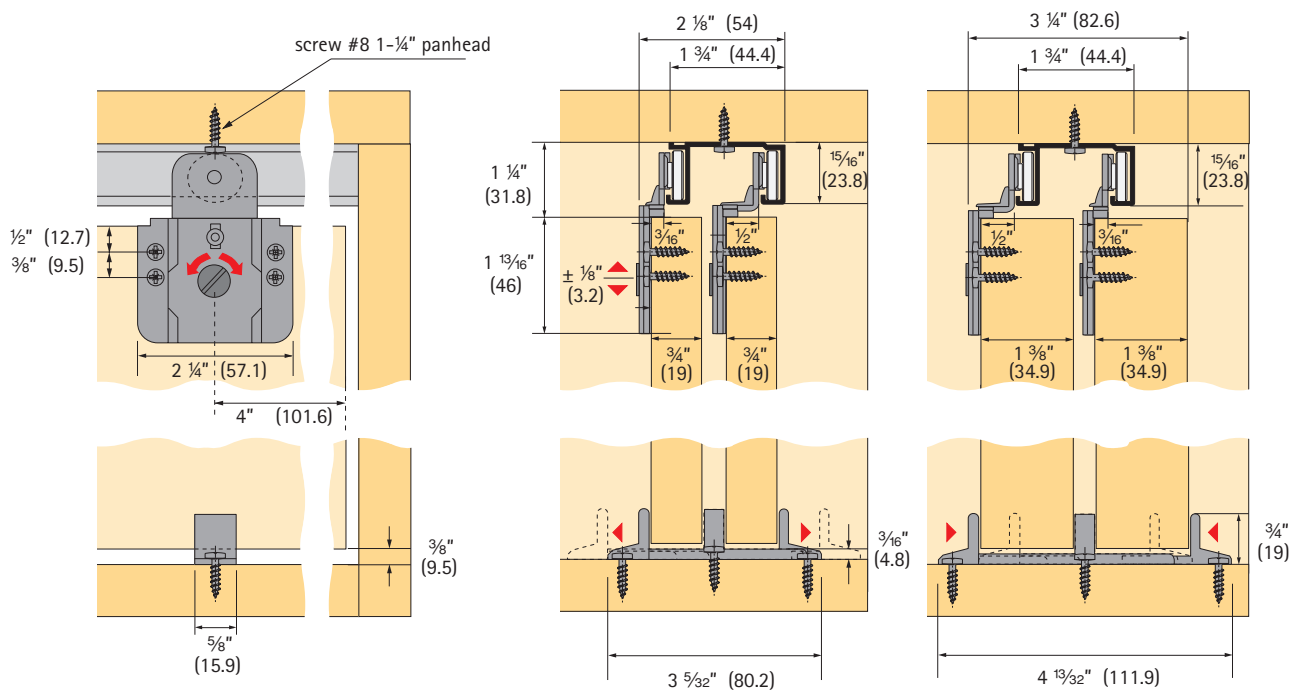
$\frac{3}{4}$ " (19 mm) and $1 \frac{3}{8}$ " (34.9 mm), side mount, adjustable



Top Line Grant 6034

A medium duty sliding door hardware series for by-passing installations. Applications include doors between rooms, closet doors, cabinets, storage walls, and partitions.

- For $\frac{3}{4}$ " and $1 \frac{3}{8}$ " doors weighing up to 50 lbs/door (23 kg/door)
- Ball-bearing wheels ensure a smooth, quiet and long lasting performance.
- Dual set of mounting holes; ideal for hollow core doors
- Easy-turn cam vertical adjustment
- Dust free track design
- Quick door hanging by tilting pre-mounted hardware onto track profile
- Floor guide required
- Made in USA



Technical specifications are subject to change without notice

Specifications:

Mounting: Side
 Adjustment: ¼" (6.4 mm) vertical
 Door thickness: ¾" (19 mm) or 1 ⅜" (34.9 mm)
 Headroom: 1 ⅛" (28.6 mm) min., 1 ⅜" (34.9 mm) max.
 Application: By-passing

Top Line Grant 6034 door hardware is available in four purchasing options

Option I

Complete package: includes track, hardware set, and all screws

Hardware and track

| Length | Order no. | PU |
|--------------|-----------|---------|
| 4' (1200 mm) | 113 331 8 | 10 sets |
| 5' (1500 mm) | 113 331 9 | 10 sets |
| 6' (1800 mm) | 113 332 0 | 10 sets |
| 8' (2400 mm) | 113 332 1 | 10 sets |

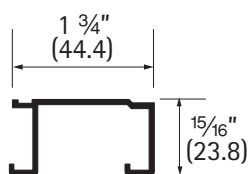
For longer track application order hardware set and track separately

Option II

Track only

Double track 6004

Aluminum extruded, pre-drilled holes



| Length | Order no. | PU |
|---------------|-----------|----|
| 4' (1200 mm) | 050 466 | 5 |
| 5' (1500 mm) | 050 467 | 5 |
| 6' (1800 mm) | 050 468 | 5 |
| 8' (2400 mm) | 050 469 | 5 |
| 10' (3000 mm) | 050 470 | 5 |
| 12' (3600 mm) | 050 471 | 5 |
| 16' (4800 mm) | 050 472 | 5 |

Screws not included - recommend #8 Pan Head

Option III

Hardware set only

Top Line Grant 6034 hardware set
(without track)

The hardware set includes:

- 2 carriers 6320 ball bearing wheel
- 2 carriers 6330 ball bearing wheel
- 1 floor guide 114
- necessary screws and installation instructions

| Article | Order no. | PU |
|--------------|-----------|---------|
| Hardware set | 113 331 7 | 10 sets |

Option IV

Separate components

Top Line Grant 6034 components

Carrier 6320

Steel, single wheel, ⅜" offset, side mounting, adjustable, ball bearing wheel, dual mounting holes

Screws included



| Finish | Order no. | PU |
|-------------|-----------|----|
| zinc-plated | 113 333 3 | 50 |

Carrier 6330

Steel, single wheel, ½" offset, side mounting, adjustable, ball bearing wheel, dual mounting holes

Screws included



| Finish | Order no. | PU |
|-------------|-----------|----|
| zinc-plated | 113 333 4 | 50 |

Floor guide 114

Nylon, adjustable for ¾" to 1 ⅜" doors

Screws included



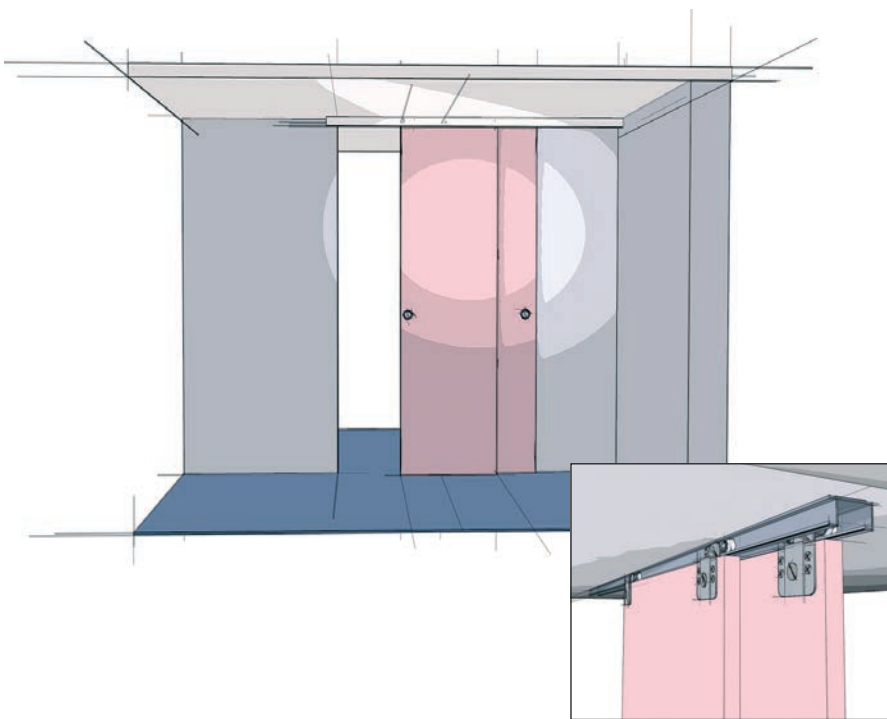
| Finish | Order no. | PU |
|--------|-----------|----|
| N/A | 050 102 | 50 |

By-passing Door Sets

Top Line Grant 6064

up to 75 lbs/door (34 kg/door), for door thickness

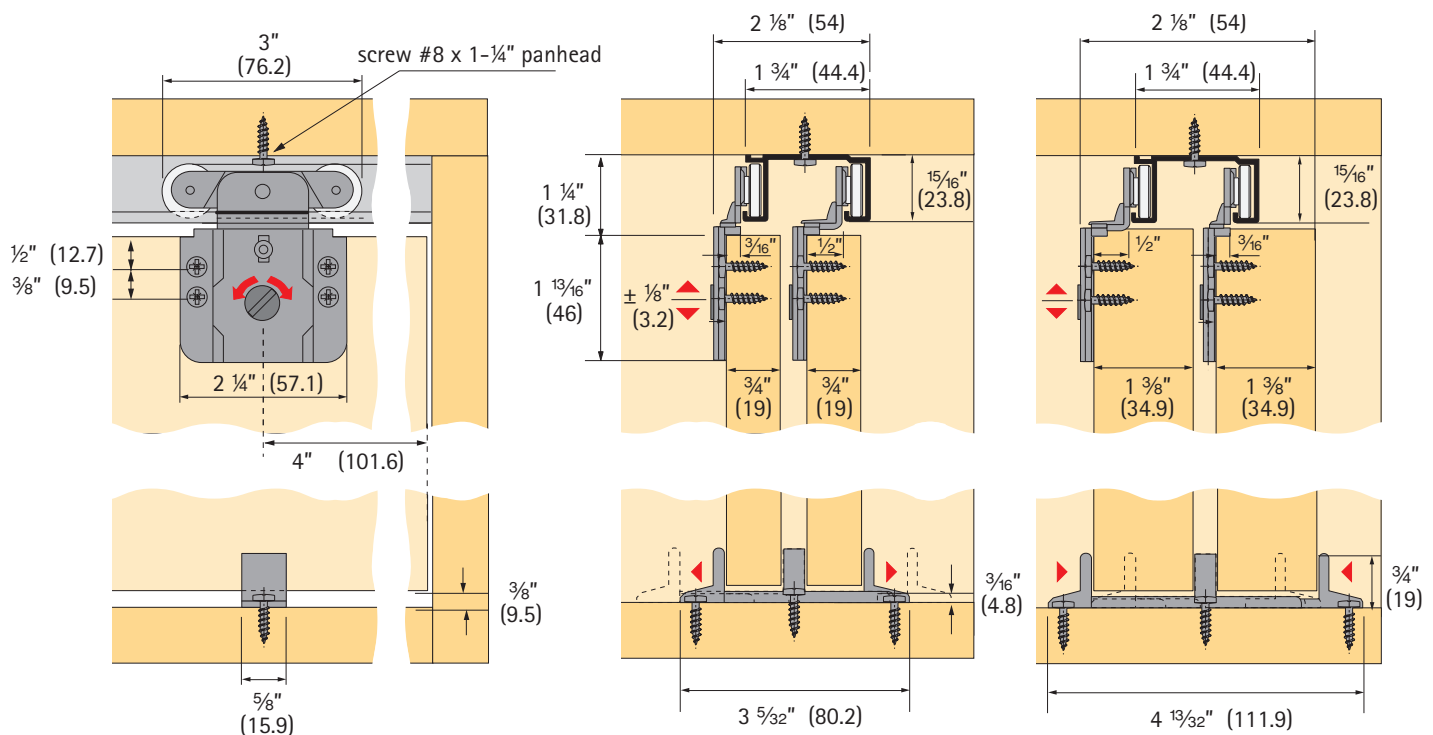
$\frac{3}{4}$ " (19 mm) and $1 \frac{3}{8}$ " (34.9 mm), side mount, adjustable



Top Line Grant 6064

A medium duty sliding door hardware series for by-passing installations. Applications include doors between rooms, closet doors, cabinets, storage walls and partitions.

- For $\frac{3}{4}$ " and $1 \frac{3}{8}$ " doors weighing up to 75 lbs/door (34 kg/door)
- Ball-bearing wheels ensure a smooth, quiet and long lasting performance.
- Dual set of mounting holes; ideal for hollow core doors
- Easy-turn cam vertical adjustment
- Pivoting rocker arms ensure track-carrier contact.
- Dust free track design
- Quick door hanging by tilting pre-mounted hardware onto track profile
- Floor guide required
- Made in USA



Specifications:

| | |
|-----------------|------------------------------------------|
| Mounting: | Side |
| Adjustment: | ¼" (6.4 mm) vertical |
| Door thickness: | ¾" (19 mm) or 1 ⅜" (34.9 mm) |
| Headroom: | 1 ⅛" (28.6 mm) min., 1 ⅜" (34.9 mm) max. |
| Application: | By-passing |

Top Line Grant 6064 door hardware is available in four purchasing options**Option I**

Complete package: includes track, hardware set, and all screws

Hardware and track

| Length | Order no. | PU |
|--------------|-----------|---------|
| 4' (1200 mm) | 113 332 6 | 10 sets |
| 5' (1500 mm) | 113 332 7 | 10 sets |
| 6' (1800 mm) | 113 332 8 | 10 sets |
| 8' (2400 mm) | 113 332 9 | 10 sets |

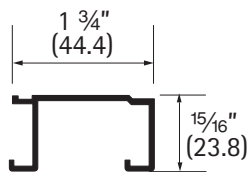
For longer track application order hardware set and track separately

Option II

Track only

Double track 6004

Aluminum extruded, pre-drilled holes



| Length | Order no. | PU |
|---------------|-----------|----|
| 4' (1200 mm) | 050 466 | 5 |
| 5' (1500 mm) | 050 467 | 5 |
| 6' (1800 mm) | 050 468 | 5 |
| 8' (2400 mm) | 050 469 | 5 |
| 10' (3000 mm) | 050 470 | 5 |
| 12' (3600 mm) | 050 471 | 5 |
| 16' (4800 mm) | 050 472 | 5 |

Screws not included - recommend #8 Pan Head

Option III

Hardware set only

Top Line Grant 6064 hardware set
(without track)

The hardware set includes:

- 2 carriers 6350 ball-bearing wheels
- 2 carriers 6360 ball-bearing wheels
- 1 floor guide 114
- necessary screws and installation instructions

| Article | Order no. | PU |
|--------------|-----------|---------|
| Hardware set | 113 332 5 | 10 sets |

Option IV

Separate components

Top Line Grant 6064 components**Carrier 6350**

Steel, double wheel, ⅜" offset, side mounting, adjustable, ball bearing wheels, dual mounting holes

Screws included



| Finish | Order no. | PU |
|-------------|-----------|----|
| zinc-plated | 113 333 6 | 50 |

Carrier 6360

Steel, double wheel, ½" offset, side mounting, adjustable, ball bearing wheels, dual mounting holes

Screws included



| Finish | Order no. | PU |
|-------------|-----------|----|
| zinc-plated | 113 333 7 | 50 |

Floor guide 114

Nylon, adjustable for ¾" to 1 ⅜" doors

Screws included

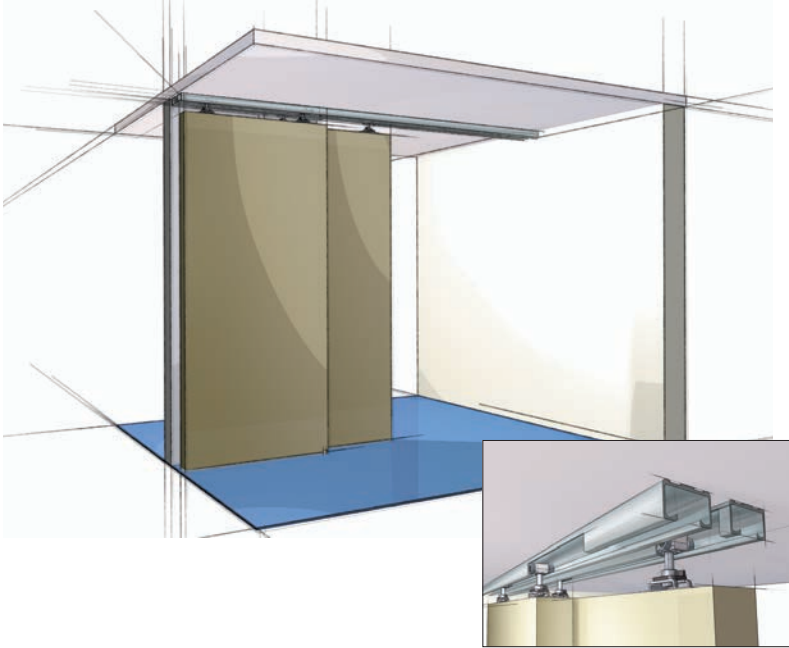


| Finish | Order no. | PU |
|--------|-----------|----|
| N/A | 050 102 | 50 |

By-passing Door Set
Grant 75E By-pass

up to 75 lbs/door (34 kg/door)

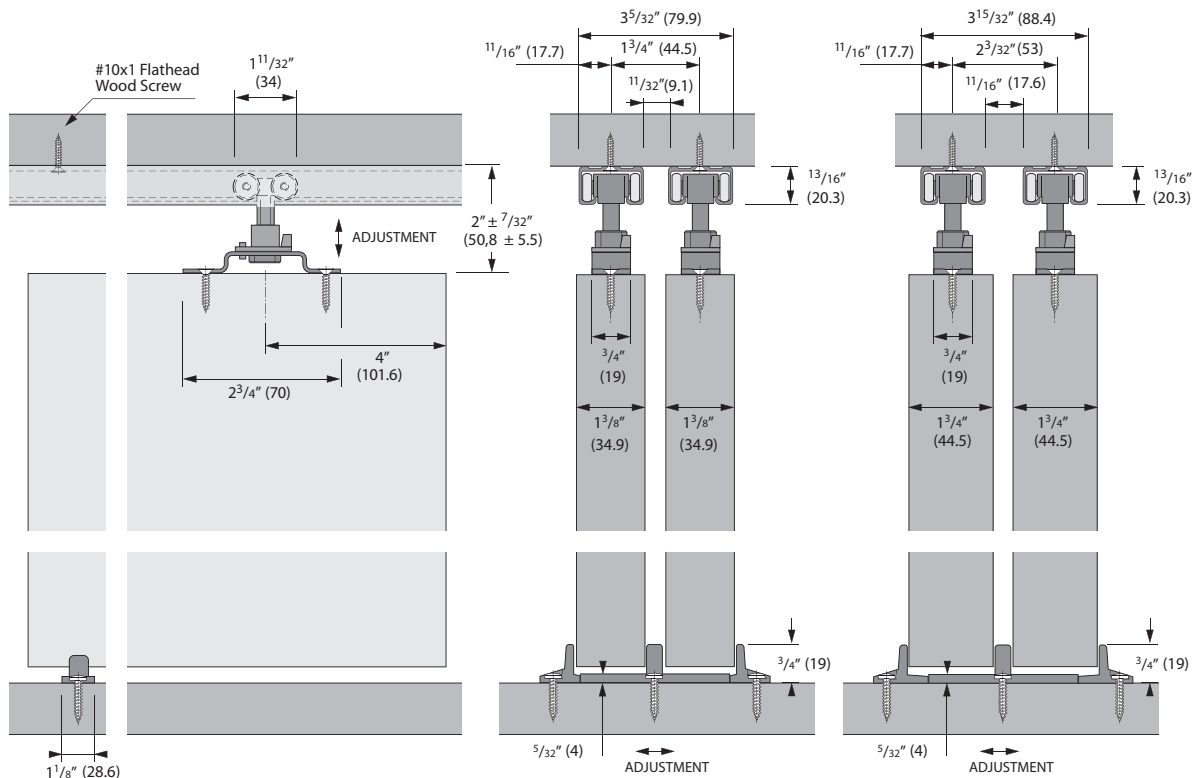
for door thickness 1 3/8" (34.9 mm) and 1 3/4" (44.4 mm), top mount, adjustable



Grant 75E By-pass

The Grant 75E Series is a medium duty commercial and residential grade sliding door hardware series for by-passing installations. Applications include doors between rooms, closet doors, cabinets, storage walls, and partitions.

- Precision ball bearing wheels ensure a smooth, quiet, and long lasting performance
- Pre-drilled aluminum box track hides the hardware
- Quick release mechanism for easy door installation and adjustment
- 7/16" (12.7 mm) vertical adjustment; minimal headroom required
- Track is available in lengths up to 16' (4800 mm)
- Flexible system - 75E tracks and carriers also used in Bi-fold 50 series
- Bi-parting applications achieved by adding an additional 75E Hardware set
- Meets and/or exceeds ANSI/BHMA standards



Technical specifications are subject to change without notice

Specifications:

Mounting: Top
 Adjustment: 7/16" (11.1 mm) vertical
 Door thickness: 1 3/8" (34.9 mm) and 1 3/4" (44.4 mm)
 Headroom: 1 25/32" (45.2 mm) min., 2 7/32" (56.4 mm) max.
 Application: By-passing

Grant 75E By-pass Series door hardware is available in four purchasing options

Option I - Complete package

Includes two- mill finish pre-cut tracks, one- By-pass hardware set, all necessary screws, and installation instructions

By-pass Hardware and track set

| Length | Order no. | PU |
|--------------|-----------|--------|
| 4' (1200 mm) | 113 534 1 | 5 sets |
| 5' (1500 mm) | 113 534 2 | 5 sets |
| 6' (1800 mm) | 113 534 3 | 5 sets |
| 8' (2400 mm) | 113 534 4 | 5 sets |

For longer track application order hardware set and track separately

Option II

Track only

Single track 50E

Aluminum extruded, pre-drilled holes



| Length | Order no. | PU |
|---------------|-----------|------|
| 3' (914 mm) | 113 440 6 | each |
| 4' (1200 mm) | 113 439 9 | each |
| 5' (1500 mm) | 113 440 0 | each |
| 6' (1800 mm) | 113 440 1 | each |
| 8' (2400 mm) | 113 440 2 | each |
| 10' (3000 mm) | 113 440 3 | each |
| 12' (3600 mm) | 113 440 4 | each |
| 16' (4800 mm) | 113 440 5 | each |

Screws not included - recommend #10 Flat Head

Option III

Hardware set only

Grant 75E By-pass hardware set (without track)

The hardware set includes:
 4 carriers 50E with precision ball bearing wheels
 4 quick release top plates
 1 adjustable floor guide 114
 necessary screws
 installation instructions

| Article | Order no. | PU |
|--------------|-----------|---------|
| Hardware set | 113 533 5 | 10 sets |

Option IV

Separate components

Grant 75E components

Carrier 50E with quick release top plate

Four precision ball bearing wheels, adjustable

Screws included



| Article | Order no. | PU |
|-------------|-----------|----|
| Carrier 50E | 113 432 2 | 10 |

Floor Guide 114

Nylon, adjustable for doors 3/4" to 1 3/4" (19 to 44.4 mm), for by-passing door installations, screws included

Dimensions: 3" x 1 1/8" (76.2 x 28.6 mm)

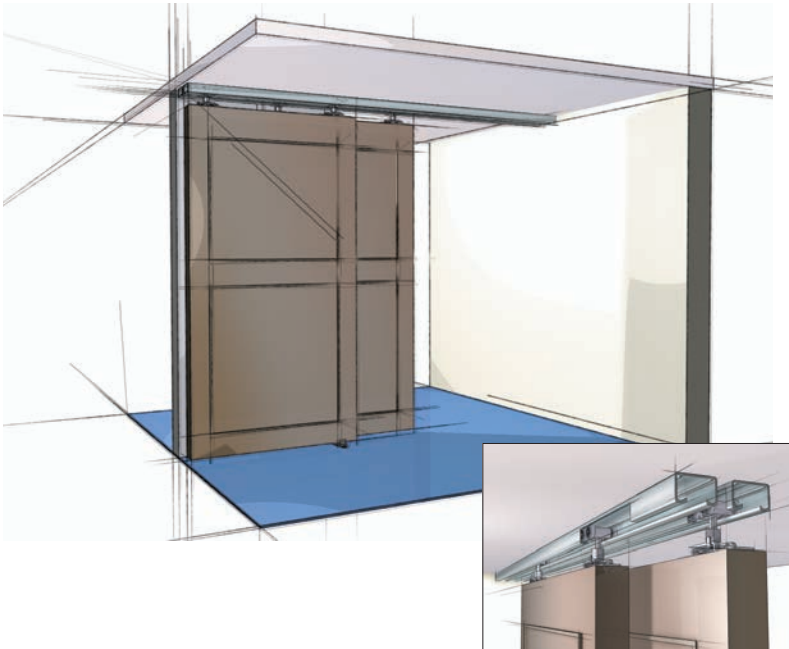


| Finish | Order no. | PU |
|-----------------|-----------|----|
| Floor guide 114 | 050 102 | 50 |

By-passing Door Set
Grant 150E By-pass

up to 150 lbs/door (68 kg/door)

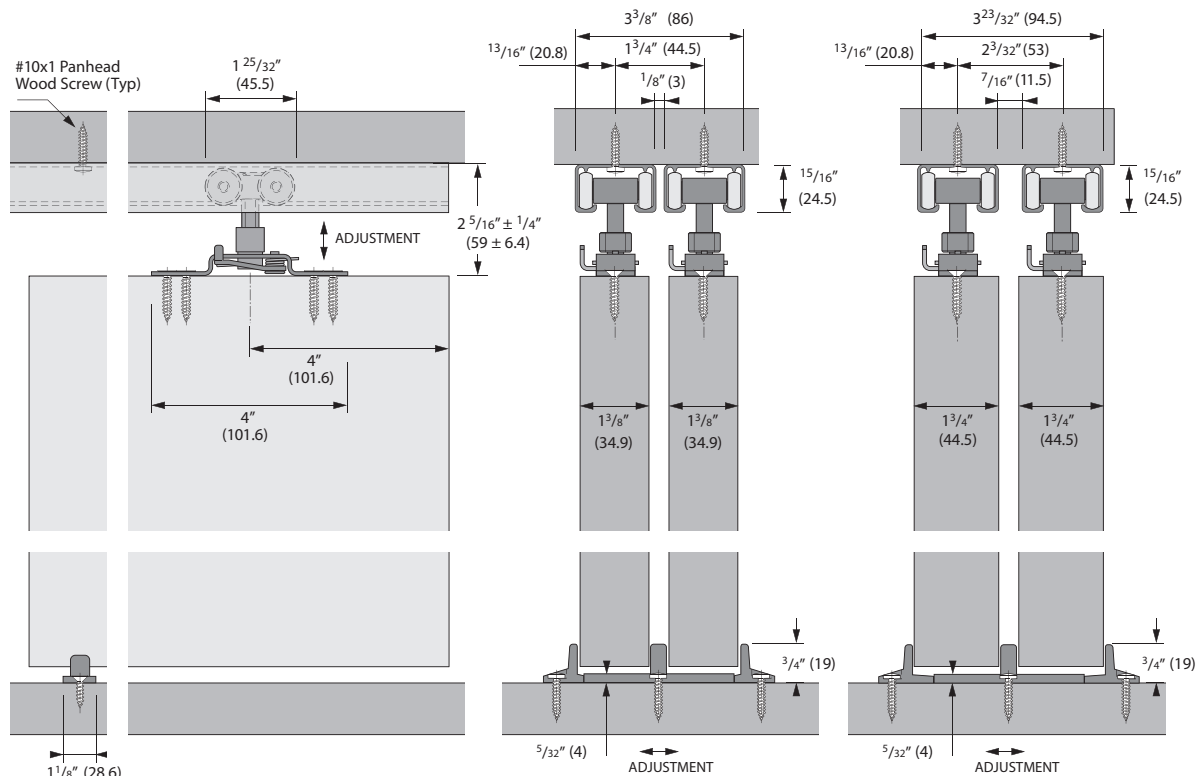
for door thickness 1 3/8" (34.9 mm) and 1 3/4" (44.4 mm), top mount, adjustable



Grant 150E By-pass

The Grant 150E Series is a medium duty commercial and residential grade sliding door hardware series for by-passing installations. Applications include doors between rooms, closet doors, cabinets, storage walls, and partitions.

- Precision ball bearing wheels ensure a smooth, quiet, and long lasting performance
- Pre-drilled aluminum box track hides the hardware
- Spring loaded quick release mechanism for easy door installation and adjustment
- 1/2" (11.1 mm) vertical adjustment; minimal headroom required
- Track is available in lengths up to 16' (4800 mm)
- Flexible system – 150E tracks and carriers also used in Bi-fold/Multi-fold 150 series
- Bi-parting applications achieved by adding an additional 150E Hardware set
- Meets and/or exceeds ANSI/BHMA standards



Technical specifications are subject to change without notice

Specifications:

Mounting: Top
 Adjustment: 1/2" (12.7 mm) vertical
 Door thickness: 1 3/8" (34.9 mm) and 1 3/4" (44.4 mm)
 Headroom: 2 1/6" (52.4 mm) min., 2 9/16" (65.1 mm) max.
 Application: By-passing

Grant 150E By-pass Series door hardware is available in four purchasing options

Option I - Complete package

Includes two- mill finish pre-cut tracks, one- By-pass hardware set, all necessary screws, and installation instructions

By-pass Hardware and track set

| Length | Order no. | PU |
|--------------|-----------|--------|
| 4' (1200 mm) | 113 535 3 | 5 sets |
| 5' (1500 mm) | 113 535 4 | 5 sets |
| 6' (1800 mm) | 113 535 5 | 5 sets |
| 8' (2400 mm) | 113 535 6 | 5 sets |

For longer track application order hardware set and track separately

Option II

Track only

Single track 150E

Aluminum extruded, pre-drilled holes



| Length | Order no. | PU |
|---------------|-----------|------|
| 4' (1200 mm) | 113 443 1 | each |
| 5' (1500 mm) | 113 443 2 | each |
| 6' (1800 mm) | 113 443 3 | each |
| 8' (2400 mm) | 113 443 4 | each |
| 10' (3000 mm) | 113 443 5 | each |
| 12' (3600 mm) | 113 443 6 | each |
| 16' (4800 mm) | 113 443 7 | each |

Screws not included - recommend #10 Pan Head

Option III

Hardware set only

Grant 150E By-pass hardware set

(without track)

The hardware set includes:

- 4 carriers 150E with precision ball bearing wheels
- 4 quick release top plates
- 1 adjustable floor guide 114
- necessary screws
- installation instructions

| Article | Order no. | PU |
|--------------|-----------|---------|
| Hardware set | 113 533 6 | 10 sets |

Option IV

Separate components

Grant 150E components

Carrier 150E with quick release top plate

Four precision ball bearing wheels, adjustable

Steel, spring loaded quick release

Screws included



| Article | Order no. | PU |
|--------------|-----------|----|
| Carrier 150E | 113 516 3 | 10 |

Floor Guide 114

Nylon, adjustable for doors 3/4" to 1 3/4" (19 to 44.4 mm), for by-passing door installations, screws included

Dimensions: 3" x 1 1/8" (76.2 x 28.6 mm)

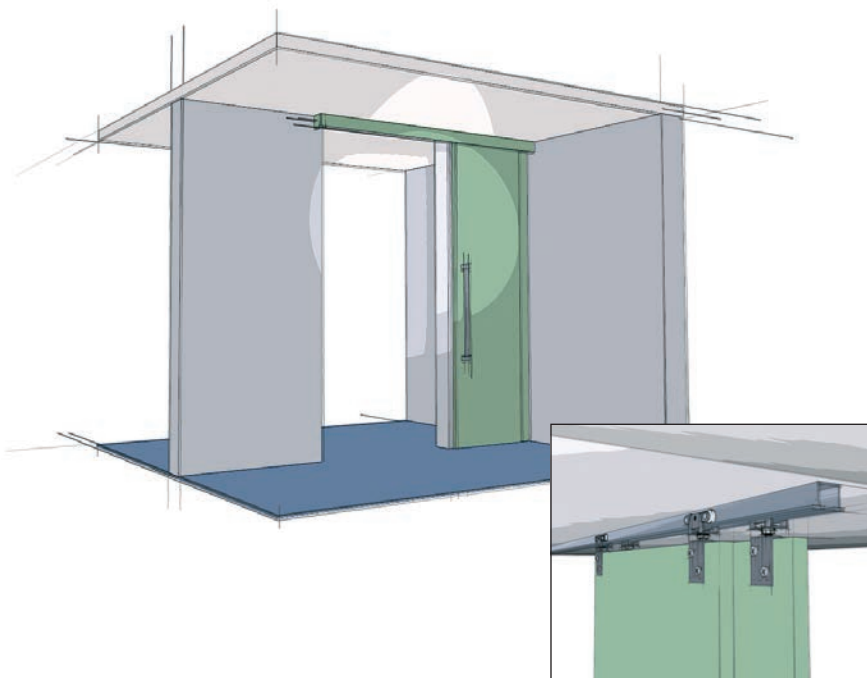


| Finish | Order no. | PU |
|-----------------|-----------|----|
| Floor guide 114 | 050 102 | 50 |

By-passing Door Sets

Top Line Grant 72-034

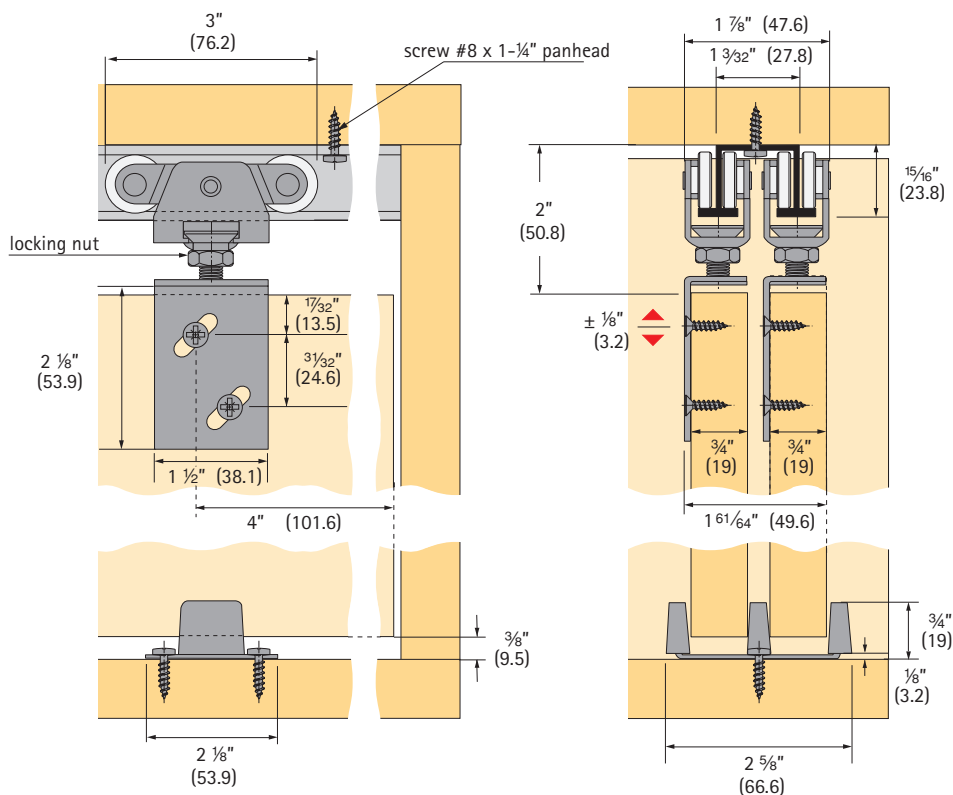
up to 150 lbs/door (68 kg/door), double track
for door thickness $\frac{3}{4}$ " (19 mm), side mount, adjustable



Top Line Grant 72-034

A medium duty commercial and residential grade sliding door hardware series ideal for by-passing installations. Applications include doors between rooms, closet doors, cabinets, storage walls and partitions.

- For $\frac{3}{4}$ " doors weighing up to 150 lbs (68 kg), optional nylon wheel carrier up to 100 lbs (45 kg)
- High quality precision ball-bearing wheels for quiet and effortless performance
- Heavy duty aluminum Double I-beam track; jump proof design
- Pivoting rocker arms ensure track-carrier contact.
- Ball and socket suspension compensates for minor header misalignment.
- Lock nut ensures permanent positioning.
- Serrations in apron permit vertical adjustment.
- Meets and/or exceeds ANSI/BHMA standards
- Made in USA



Technical specifications are subject to change without notice

Specifications:

Mounting: Side
 Adjustment: ¼" (6.4 mm) vertical
 Door thickness: ¾" (19 mm)
 Headroom: 1⅞" (47.6 mm) min., 2⅞" (53.9 mm) max
 Application: By-passing

Top Line Grant 72-034 door hardware is available in four purchasing options

Option I

Complete package: includes track, hardware set, and all screws

Hardware and track

| Length | Order no. | PU |
|--------------|-----------|--------|
| 4' (1200 mm) | 113 335 1 | 5 sets |
| 6' (1800 mm) | 113 335 2 | 5 sets |
| 8' (2400 mm) | 113 335 3 | 5 sets |

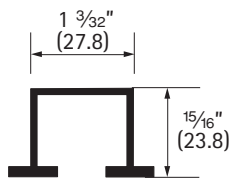
For longer track application order hardware set and track separately

Option II

Track only

Double track 7002

Aluminum extruded, pre-drilled holes



| Length | Order no. | PU |
|---------------|-----------|----|
| 4' (1200 mm) | 050 526 | 5 |
| 5' (1500 mm) | 050 527 | 5 |
| 6' (1800 mm) | 050 528 | 5 |
| 8' (2400 mm) | 050 529 | 5 |
| 10' (3000 mm) | 050 530 | 5 |
| 12' (3600 mm) | 050 531 | 5 |
| 16' (4800 mm) | 050 532 | 5 |

Screws not included - recommend #8 Pan Head
 Tracks 8' and under are notched at one end for easy access

Option III

Hardware set only

Top Line Grant 72-034 hardware set
 (without track)

The hardware set includes:
 4 carriers 7000 precision ball bearing wheels
 4 aprons 7034
 1 floor guide 116
 1 wrench
 necessary screws
 installation instructions

| Article | Order no. | PU |
|--------------|-----------|---------|
| Hardware set | 113 335 0 | 10 sets |

Option IV

Separate components

Top Line Grant 72-034 components

Carrier 7000 ball bearing

Steel, precision ball bearing wheels,
 up to 150 lbs/door (68 kg/door)



| Finish | Order no. | PU |
|-------------|-----------|-----|
| zinc-plated | 113 333 9 | 100 |

Apron 7034

Cold rolled steel, ¾" offset,
 adjustable

Screws included



| Finish | Order no. | PU |
|-------------|-----------|-----|
| zinc-plated | 050 563 | 100 |

Floor guide 116

Steel/Nylon

Screws included



| Finish | Order no. | PU |
|-------------|-----------|----|
| zinc-plated | 050 103 | 50 |

Optional parts (not included in set)

Carrier 7000 nylon

Steel, wheel nylon,
 up to 100 lbs/door (45 kg/door)



| Finish | Order no. | PU |
|-------------|-----------|-----|
| zinc-plated | 113 333 8 | 100 |

Bumper stop 7014

Steel, track mounted,
 rubber stop, 2 required per track



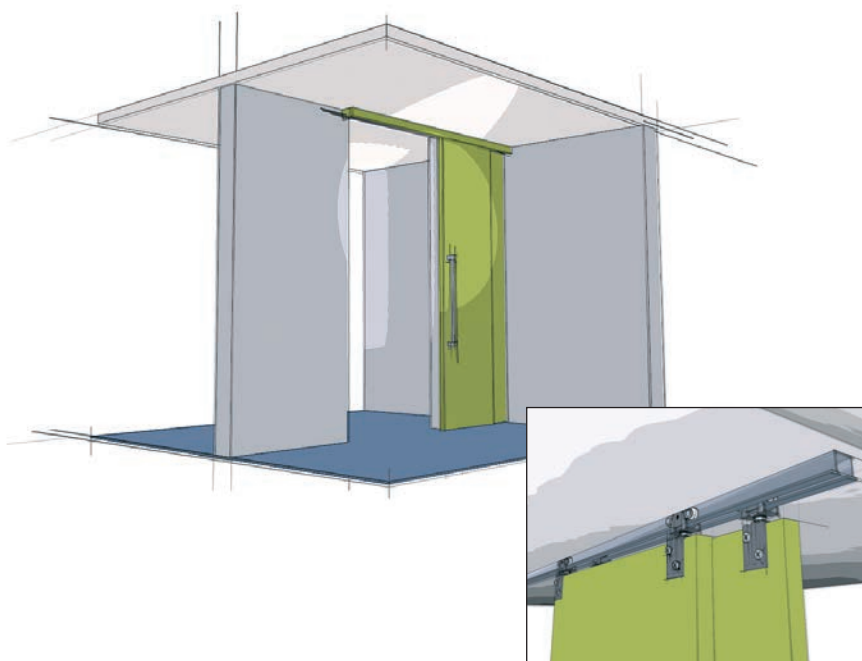
| Finish | Order no. | PU |
|-------------|-----------|----|
| zinc-plated | 050 561 | 20 |

By-passing Door Sets

Top Line Grant 72-118

up to 150 lbs/door (68 kg/door), double track

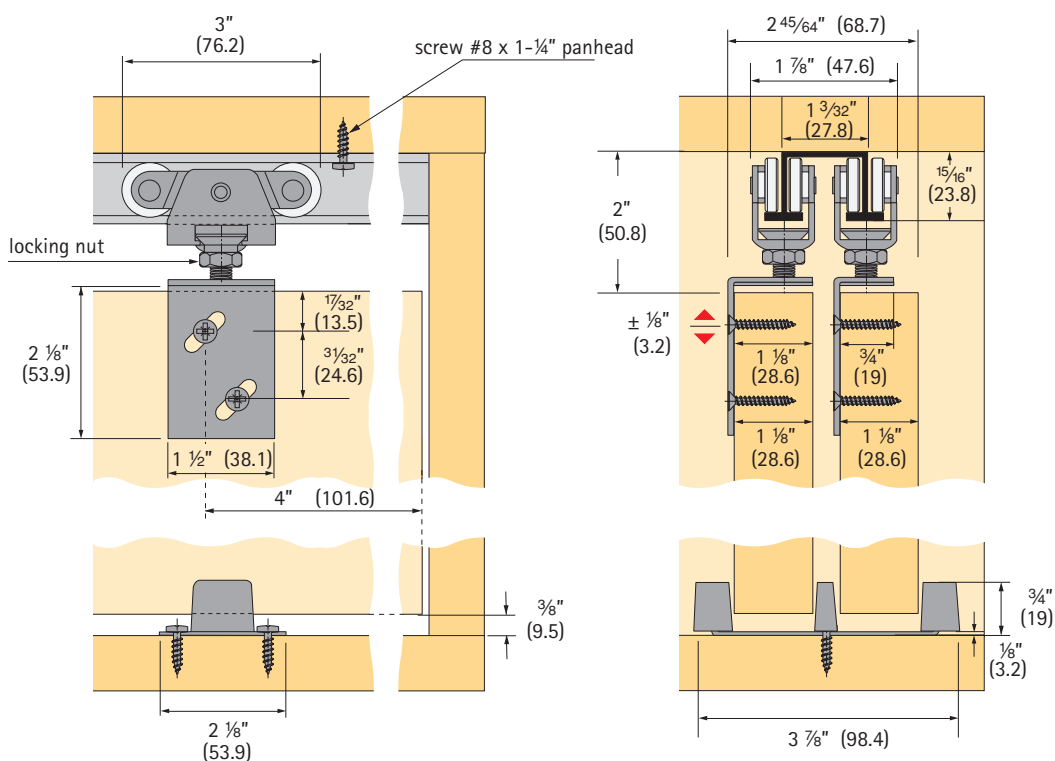
for door thickness 1 1/8" (28.6 mm), side mount, adjustable



Top Line Grant 72-118

A medium duty commercial and residential grade sliding door hardware series ideal for by-passing installations. Applications include doors between rooms, closet doors, cabinets, storage walls, and partitions.

- For 1 1/8" doors weighing up to 150 lbs (68 kg), optional nylon wheel carrier up to 100 lbs (45 kg)
- High quality precision ball-bearing wheels for quiet and effortless performance
- Heavy duty aluminum Double I-beam track; jump proof design
- Pivoting rocker arms ensure track-carrier contact.
- Ball and socket suspension compensates for minor header misalignment.
- Lock nut ensures permanent positioning.
- Serrations in apron permit vertical adjustment.
- Meets and/or exceeds ANSI/BHMA standards
- Made in USA



Specifications:

Mounting: Side
 Adjustment: ¼" (6.4 mm) vertical
 Door thickness: 1½" (28.6 mm)
 Headroom: 1⅞" (47.6 mm) min., 2⅞" (53.9 mm) max.
 Application: By-passing

Top Line Grant 72-118 door hardware is available in four purchasing options

Option I

Complete package: includes track, hardware set, and all screws

Hardware and track

| Length | Order no. | PU |
|--------------|-----------|--------|
| 4' (1200 mm) | 113 335 5 | 5 sets |
| 5' (1500 mm) | 113 335 6 | 5 sets |
| 8' (2400 mm) | 113 335 7 | 5 sets |

For longer track application order hardware set and track separately

Option II

Track only

Double track 7002

Aluminum extruded, pre-drilled holes



| Length | Order no. | PU |
|---------------|-----------|----|
| 4' (1200 mm) | 050 526 | 5 |
| 5' (1500 mm) | 050 527 | 5 |
| 6' (1800 mm) | 050 528 | 5 |
| 8' (2400 mm) | 050 529 | 5 |
| 10' (3000 mm) | 050 530 | 5 |
| 12' (3600 mm) | 050 531 | 5 |
| 16' (4800 mm) | 050 532 | 5 |

Screws not included - recommend #8 Pan Head
 Tracks 8' and under are notched at one end for easy access

Option III

Hardware set only

Top Line Grant 72-118 hardware set (without track)

The hardware set includes:
 4 carriers 7000 precision ball bearing wheels
 2 aprons 7034 (front door)
 2 aprons 7138 (rear door)
 1 floor guide 119
 1 wrench
 necessary screws
 installation instructions

| Article | Order no. | PU |
|--------------|-----------|---------|
| Hardware set | 113 335 4 | 10 sets |

Option IV

Separate components

Top Line Grant 72-118 components

Carrier 7000 ball bearing

Steel, precision ball bearing wheels, up to 150 lbs/door (68 kg/door)



| Finish | Order no. | PU |
|-------------|-----------|-----|
| zinc-plated | 113 333 9 | 100 |

Apron 7034/7138

Cold rolled steel, adjustable

Screws included



| Article | Finish | Order no. | PU |
|--------------------------|-------------|-----------|-----|
| 1 apron 7034, ¾" offset | zinc-plated | 050 563 | 100 |
| 2 apron 7138, 1⅞" offset | zinc-plated | 050 565 | 100 |

Floor guide 119

Steel/Nylon

Screws included



| Finish | Order no. | PU |
|-------------|-----------|----|
| zinc-plated | 050 106 | 50 |

Optional parts

Carrier 7000 nylon

Steel, wheel nylon, up to 100 lbs/door (45 kg/door)



| Finish | Order no. | PU |
|-------------|-----------|-----|
| zinc-plated | 113 333 8 | 100 |

Bumper stop 7014

Steel, track mounted, rubber stop, 2 required per track



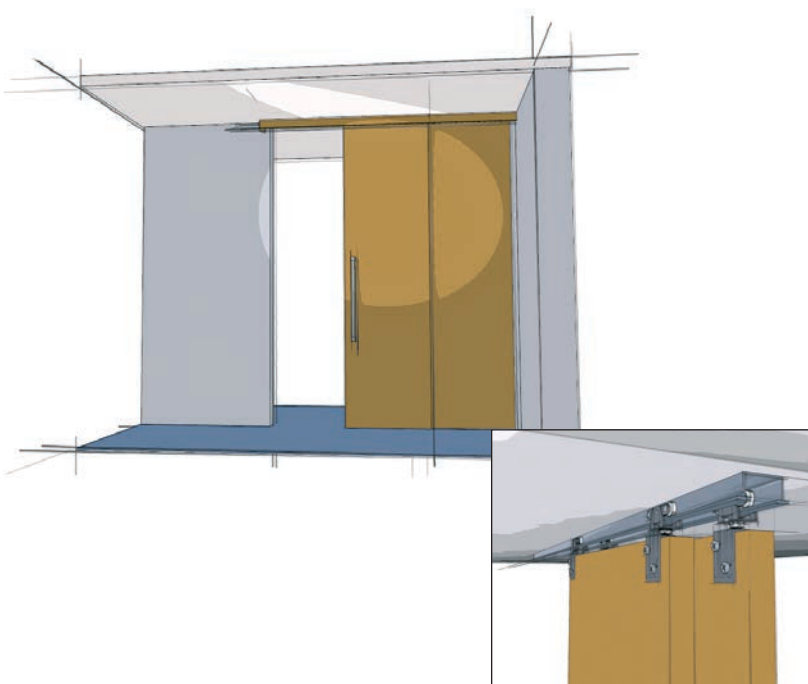
| Finish | Order no. | PU |
|-------------|-----------|----|
| zinc-plated | 050 561 | 20 |

By-passing Door Sets

Top Line Grant 72-138

up to 150 lbs/door (68 kg/door), double track

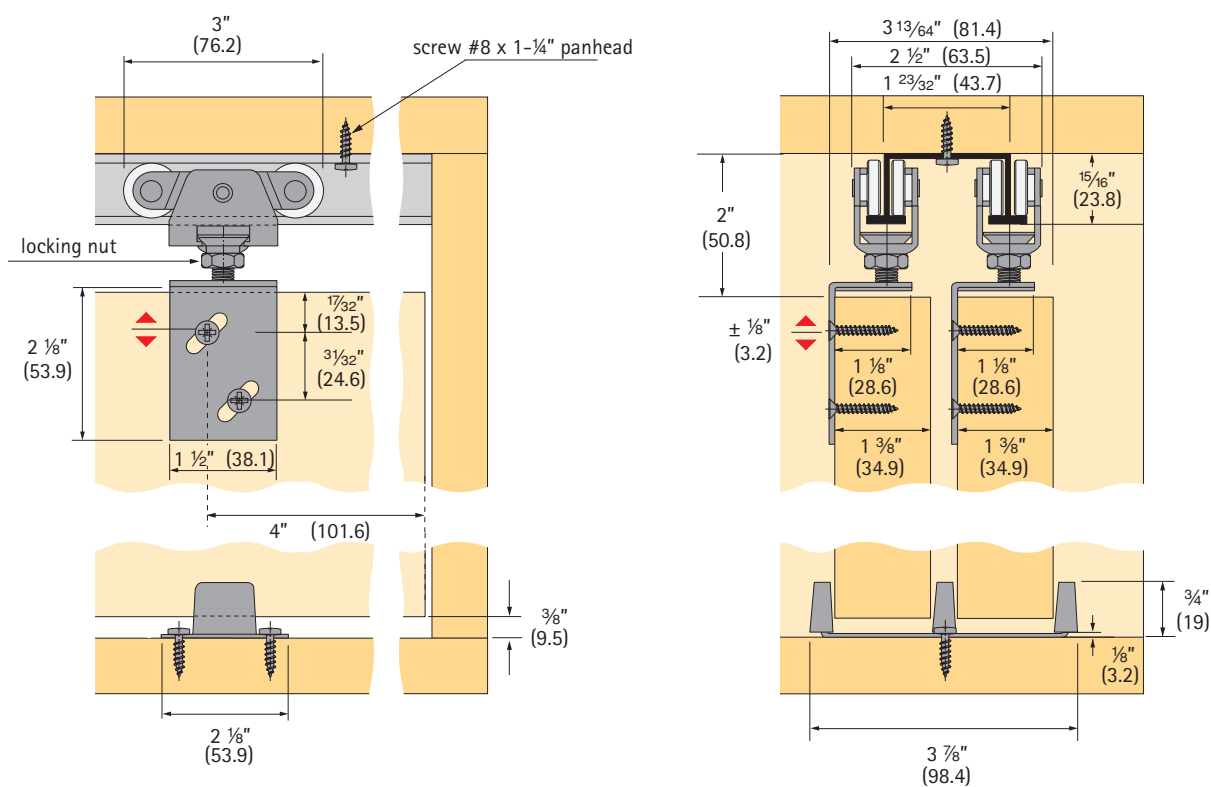
for door thickness 1 3/8" (34.9 mm), side mount, adjustable



Top Line Grant 72-138

A medium duty commercial and residential grade sliding door hardware series ideal for by-passing installations. Applications include doors between rooms, closet doors, cabinets, storage walls, and partitions.

- For 1 3/8" doors weighing up to 150 lbs (68 kg), optional nylon wheel carrier up to 100 lbs (45 kg)
- High quality precision ball-bearing wheels for quiet and effortless performance
- Heavy duty aluminum Double I-beam track; jump proof design
- Pivoting rocker arms ensure track-carrier contact.
- Ball and socket suspension compensates for minor header misalignment.
- Lock nut ensures permanent positioning.
- Serrations in apron permit vertical adjustment.
- Meets and/or exceeds ANSI/BHMA standards
- Made in USA



Specifications:

| | |
|-----------------|----------------------------------------|
| Mounting: | Side |
| Adjustment: | ¼" (6.4 mm) vertical |
| Door thickness: | 1⅜" (34.9 mm) |
| Headroom: | 1⅞" (47.6 mm) min., 2⅞" (53.9 mm) max. |
| Application: | By-passing |

Top Line Grant 72-138 door hardware is available in four purchasing options**Option I**

Complete package: includes track, hardware set, and all screws

Hardware and track

| Length | Order no. | PU |
|--------------|-----------|--------|
| 4' (1200 mm) | 113 336 4 | 5 sets |
| 5' (1500 mm) | 113 336 5 | 5 sets |
| 6' (1800 mm) | 113 336 6 | 5 sets |
| 8' (2400 mm) | 113 336 7 | 5 sets |

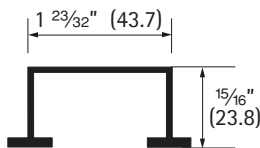
For longer track application order hardware set and track separately

Option II

Track only

Double track 7003

Aluminum extruded, pre-drilled holes



| Length | Order no. | PU |
|---------------|-----------|----|
| 4' (1200 mm) | 050 533 | 5 |
| 5' (1500 mm) | 050 534 | 5 |
| 6' (1800 mm) | 050 535 | 5 |
| 8' (2400 mm) | 050 536 | 5 |
| 10' (3000 mm) | 050 537 | 5 |
| 12' (3600 mm) | 050 538 | 5 |
| 16' (4800 mm) | 050 539 | 5 |

Screws not included - recommend #8 Pan Head

Tracks 8' and under are notched at one end for easy access

Option III

Hardware set only

Top Line Grant 72-138 hardware set
(without track)

The hardware set includes:

- 4 carriers 7000 precision ball bearing wheels
- 4 aprons 7138
- 1 floor guide 117
- 1 wrench
- necessary screws and installation instructions

| Article | Order no. | PU |
|--------------|-----------|---------|
| Hardware set | 113 336 3 | 10 sets |

Option IV

Separate components

Top Line Grant 72-138 components**Carrier 7000 ball bearing**

Steel, precision ball bearing wheels, up to 150 lbs/door (68 kg/door)



| Finish | Order no. | PU |
|-------------|-----------|-----|
| zinc-plated | 113 333 9 | 100 |

Apron 7138

Cold rolled steel, adjustable, 1 ⅛" offset

Screws included



| Finish | Order no. | PU |
|-------------|-----------|-----|
| zinc-plated | 050 565 | 100 |

Floor guide 117

Steel/Nylon

Screws included



| Finish | Order no. | PU |
|-------------|-----------|----|
| zinc-plated | 050 104 | 50 |

Optional parts (not included in set)**Carrier 7000 nylon**

Steel, wheel nylon, up to 100 lbs/door (45 kg/door)



| Finish | Order no. | PU |
|-------------|-----------|-----|
| zinc-plated | 113 333 8 | 100 |

Bumper stop 7014

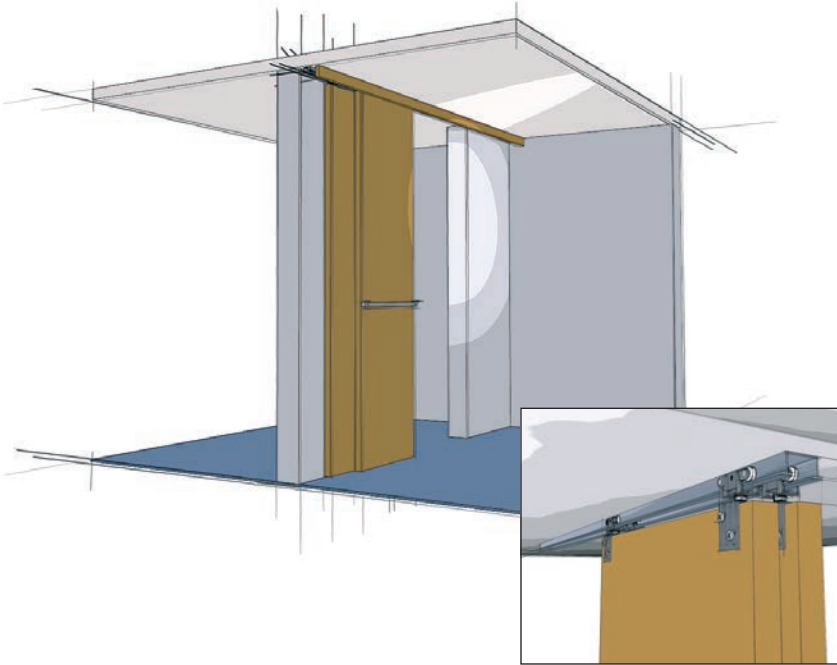
Steel, track mounted, rubber stop, 2 required per track



| Finish | Order no. | PU |
|-------------|-----------|----|
| zinc-plated | 050 561 | 20 |

By-passing Door Sets
Top Line Grant 72-134

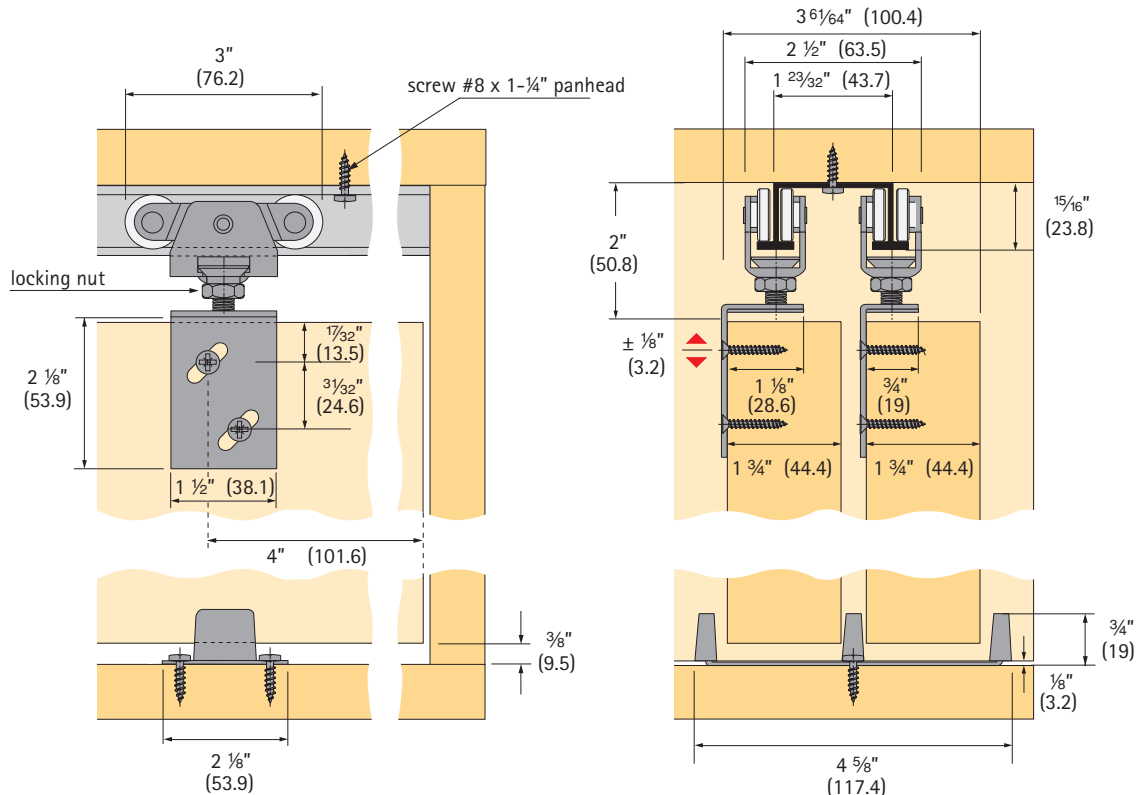
up to 150 lbs/door (68 kg/door), double track
 for door thickness 1 3/4" (44.4 mm), side mount, adjustable



Top Line Grant 72-134

A medium duty commercial and residential grade sliding door hardware series ideal for by-passing installations. Applications include doors between rooms, closet doors, cabinets, storage walls, and partitions.

- For 1 3/4" doors weighing up to 150 lbs (68 kg), optional nylon wheel carrier up to 100 lbs (45 kg)
- High quality precision ball-bearing wheels for quiet and effortless performance
- Heavy duty aluminum Double I-beam track; jump proof design
- Pivoting rocker arms ensure track-carrier contact.
- Ball and socket suspension compensates for minor header misalignment.
- Lock nut ensures permanent positioning.
- Serrations in apron permit vertical adjustment.
- Meets and/or exceeds ANSI/BHMA standards
- Made in USA



Technical specifications are subject to change without notice

Specifications:

| | |
|-----------------|---------------------------------------|
| Mounting: | Side |
| Adjustment: | ¼" (6.4 mm) vertical |
| Door thickness: | 1¾" (44.4 mm) |
| Headroom: | 1⅞" (47.6 mm) min., 2⅞" (53.9 mm) max |
| Application: | By-passing |

Top Line Grant 72-134 door hardware is available in four purchasing options

Option I

Complete package, includes track, hardware set, and all screws

Hardware and track

| Length | Order no. | PU |
|--------------|-----------|--------|
| 4' (1200 mm) | 113 335 9 | 5 sets |
| 5' (1500 mm) | 113 336 0 | 5 sets |
| 6' (1800 mm) | 113 336 1 | 5 sets |
| 8' (2400 mm) | 113 336 2 | 5 sets |

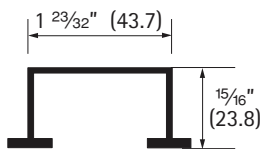
For longer track application order hardware set and track separately

Option II

Track only

Double track 7003

Aluminum extruded, pre-drilled holes



| Length | Order no. | PU |
|---------------|-----------|----|
| 4' (1200 mm) | 050 533 | 5 |
| 5' (1500 mm) | 050 534 | 5 |
| 6' (1800 mm) | 050 535 | 5 |
| 8' (2400 mm) | 050 536 | 5 |
| 10' (3000 mm) | 050 537 | 5 |
| 12' (3600 mm) | 050 538 | 5 |
| 16' (4800 mm) | 050 539 | 5 |

Screws not included - recommend #8 Pan Head

Tracks 8' and under are notched at one end for easy access

Option III

Hardware set only

Top Line Grant 72-134 hardware set (without track)

The hardware set includes:

- 4 carriers 7000 precision ball bearing wheels
- 2 aprons 7034 (front door)
- 2 aprons 7138 (rear door)
- 1 floor guide 118
- 1 wrench
- necessary screws and installation instructions

| Article | Order no. | PU |
|--------------|-----------|---------|
| Hardware set | 113 335 8 | 10 sets |

Option IV

Separate components

Top Line Grant 72-134 components

Carrier 7000 ball bearing

Steel, precision ball bearing wheels, up to 150 lbs/door (68 kg/door)



| Finish | Order no. | PU |
|-------------|-----------|-----|
| zinc-plated | 113 333 9 | 100 |

Apron 7034/7138

Cold rolled steel, adjustable

Screws included



| Article | Finish | Order no. | PU |
|--------------------------|-------------|-----------|-----|
| ① apron 7034, ¾" offset | zinc-plated | 050 563 | 100 |
| ② apron 7138, 1⅞" offset | zinc-plated | 050 565 | 100 |

Floor guide 118

Steel/Nylon

Screws included



| Finish | Order no. | PU |
|-------------|-----------|----|
| zinc-plated | 050 105 | 50 |

Optional parts (not included in set)

Carrier 7000 nylon

Steel, wheel nylon, up to 100 lbs/door (45 kg/door)



| Finish | Order no. | PU |
|-------------|-----------|-----|
| zinc-plated | 113 333 8 | 100 |

Bumper stop 7014

Steel, track mounted, rubber stop, 2 required per track

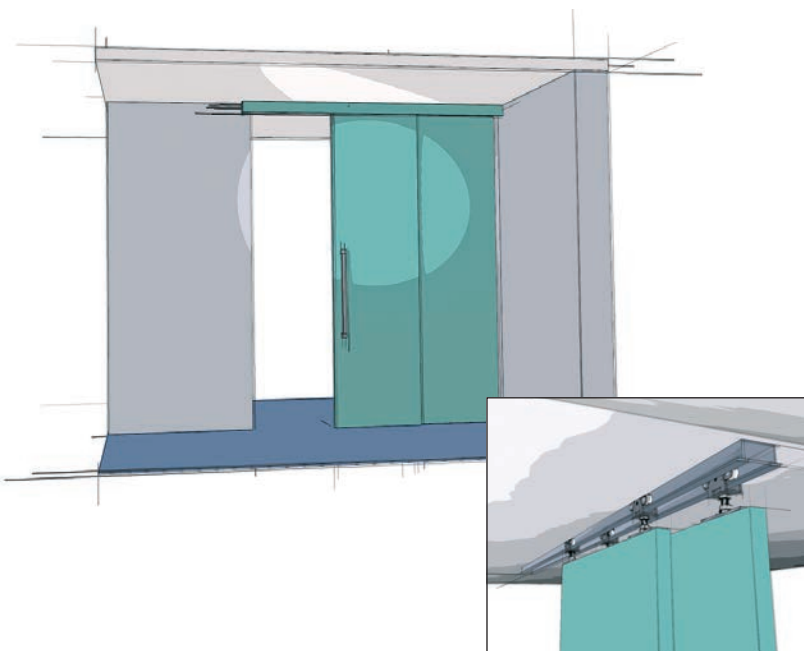


| Finish | Order no. | PU |
|-------------|-----------|----|
| zinc-plated | 050 561 | 20 |

By-passing Door Sets

Top Line Grant 72-222

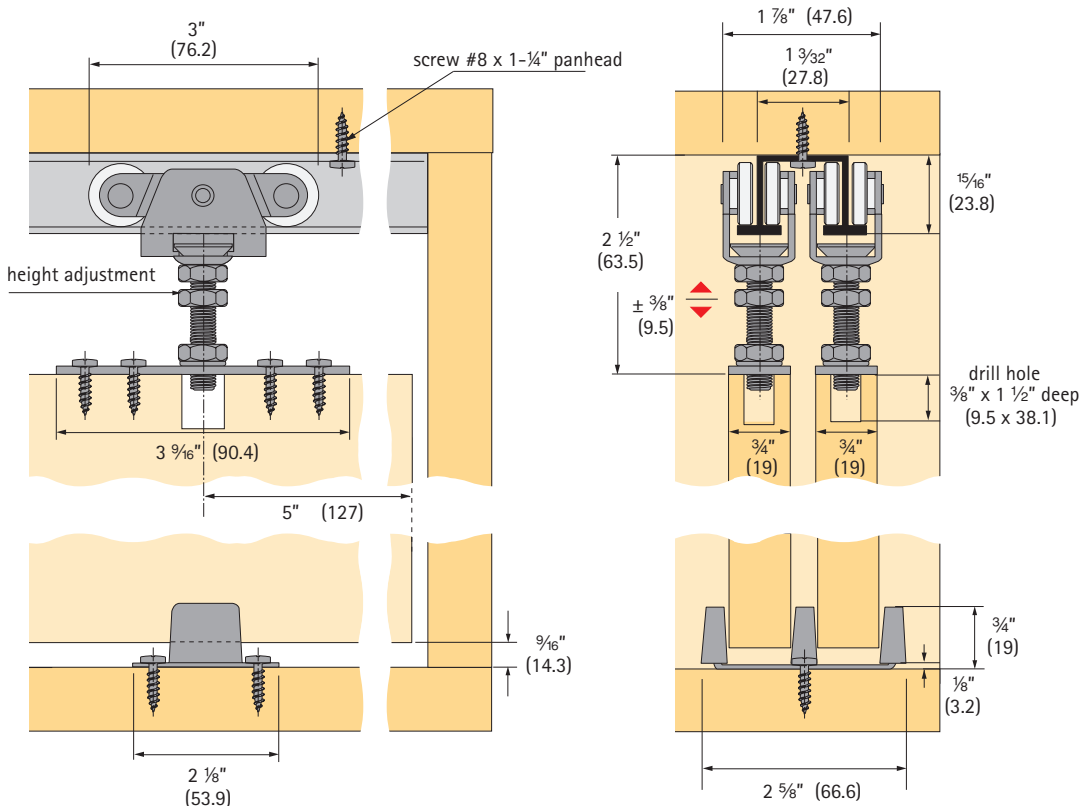
up to 150 lbs/door (68 kg/door), double track
for door thickness $\frac{3}{4}$ " (19 mm), top mount, adjustable



Top Line Grant 72-222

A medium duty commercial and residential grade sliding door hardware series ideal for by-passing installations. Applications include doors between rooms, closet doors, cabinets, storage walls and partitions.

- For $\frac{3}{4}$ " doors weighing up to 150 lbs (68 kg), optional nylon wheel carrier up to 100 lbs (45 kg)
- High quality precision ball-bearing wheels for quiet and effortless performance
- Heavy duty aluminum Double I-beam track; jump proof design
- Pivoting rocker arms ensure track-carrier contact.
- Ball and socket suspension compensates for minor header misalignment.
- Lock nut ensures permanent positioning.
- Vertical adjustment $\frac{3}{4}$ " (19.1 mm)
- Meets and/or exceeds ANSI/BHMA standards
- Made in USA



Specifications:

Mounting: Top
 Adjustment: 3/4" (19.1 mm) vertical
 Door thickness: 3/4" (19 mm)
 Headroom: 2 1/8" (53.9 mm) min., 2 7/8" (73 mm) max.
 Application: By-passing

Top Line Grant 72-222 door hardware is available in four purchasing options

Option I

Complete package: includes track, hardware set, and all screws

Hardware and track

| Length | Order no. | PU |
|--------------|-----------|--------|
| 4' (1200 mm) | 113 336 9 | 5 sets |
| 5' (1500 mm) | 113 337 0 | 5 sets |
| 6' (1800 mm) | 113 337 1 | 5 sets |
| 8' (2400 mm) | 113 337 2 | 5 sets |

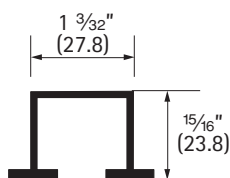
For longer track application order hardware set and track separately

Option II

Track only

Double track 7002

Aluminum extruded, pre-drilled holes



| Length | Order no. | PU |
|---------------|-----------|----|
| 4' (1200 mm) | 050 526 | 5 |
| 5' (1500 mm) | 050 527 | 5 |
| 6' (1800 mm) | 050 528 | 5 |
| 8' (2400 mm) | 050 529 | 5 |
| 10' (3000 mm) | 050 530 | 5 |
| 12' (3600 mm) | 050 531 | 5 |
| 16' (4800 mm) | 050 532 | 5 |

Screws not included - recommend #8 Pan Head

Tracks 8' and under are notched at one end for easy access

Option III

Hardware set only

Top Line Grant 72-222 hardware set (without track)

The hardware set includes:

- 4 carriers 7000 precision ball bearing wheels
- 4 top plates 7222
- 1 floor guide 116
- 1 wrench
- necessary screws
- installation instructions

| Article | Order no. | PU |
|--------------|-----------|---------|
| Hardware set | 113 336 8 | 10 sets |

Option IV

Separate components

Top Line Grant 72-222 components

Carrier 7000 ball bearing

Steel, precision ball bearing wheels, up to 150 lbs/door (68 kg/door)



| Finish | Order no. | PU |
|-------------|-----------|-----|
| zinc-plated | 113 333 9 | 100 |

Top plate 7222

with pendant bolt, steel, adjustable

Screws included



| Finish | Order no. | PU |
|-------------|-----------|-----|
| zinc-plated | 050 566 | 100 |

Floor guide 116

Steel/Nylon

Screws included



| Finish | Order no. | PU |
|-------------|-----------|----|
| zinc-plated | 050 103 | 50 |

Optional parts (not included in set)

Carrier 7000 nylon

Steel, wheel nylon, up to 100 lbs/door (45 kg/door)



| Finish | Order no. | PU |
|-------------|-----------|-----|
| zinc-plated | 113 333 8 | 100 |

Bumper stop 7014

Steel, track mounted, rubber stop, 2 required per track

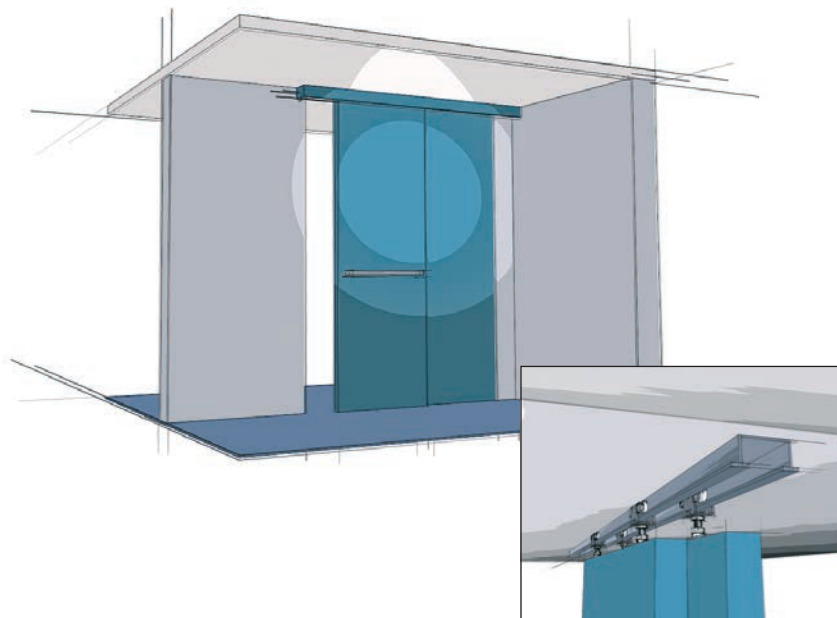


| Finish | Order no. | PU |
|-------------|-----------|----|
| zinc-plated | 050 561 | 20 |

By-passing Door Sets

Top Line Grant 72-223

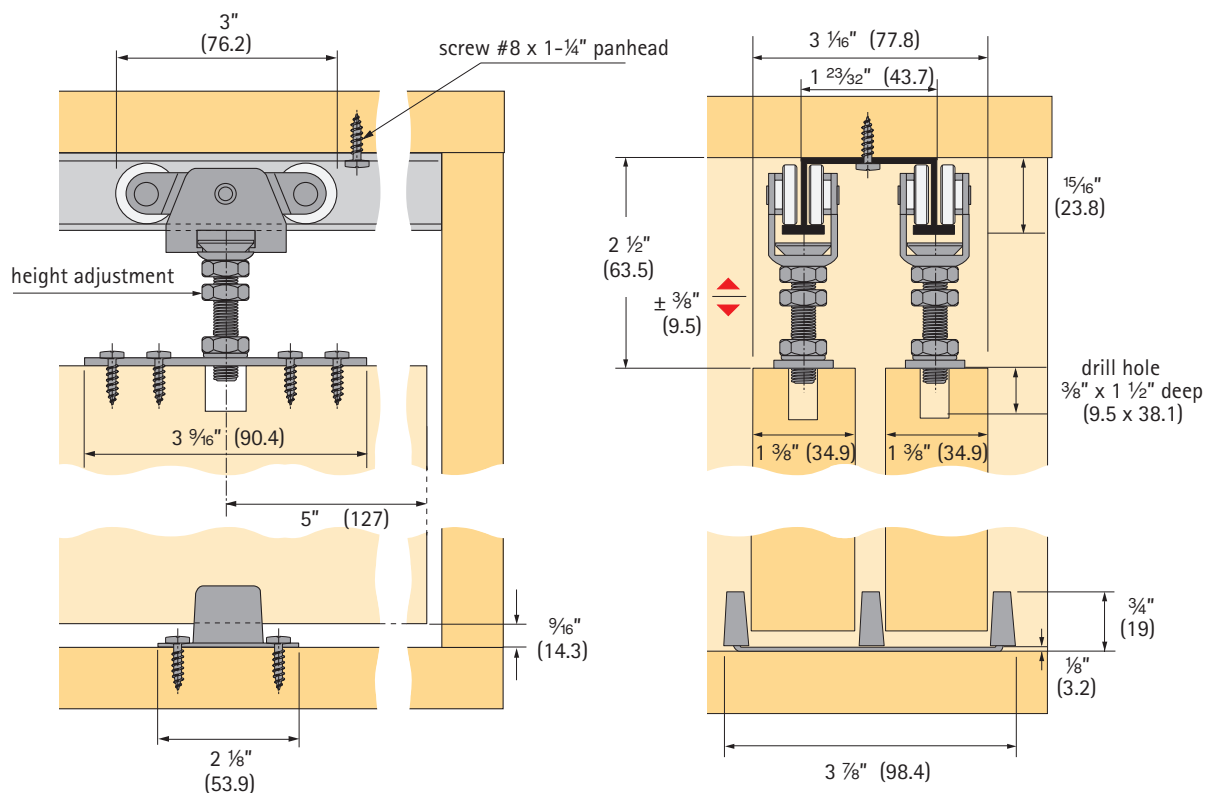
up to 150 lbs/door (68 kg/door), double track
for door thickness 1 3/8" (34.9 mm), top mount, adjustable



Top Line Grant 72-223

A medium duty commercial and residential grade sliding door hardware series ideal for by-passing installations. Applications include doors between rooms, closet doors, cabinets, storage walls and partitions.

- For 1 3/8" doors weighing up to 150 lbs (68 kg), optional nylon wheel carrier up to 100 lbs (45 kg)
- High quality precision ball-bearing wheels for quiet and effortless performance
- Heavy duty aluminum Double I-beam track; jump proof design
- Pivoting rocker arms ensure track-carrier contact.
- Ball and socket suspension compensates for minor header misalignment.
- Lock nut ensures permanent positioning.
- Vertical adjustment 3/4" (19.1 mm)
- Meets and/or exceeds ANSI/BHMA standards
- Made in USA



Technical specifications are subject to change without notice

Specifications:

Mounting: Top
 Adjustment: 3/4" (19.1 mm) vertical
 Door thickness: 1 3/8" (34.9 mm)
 Headroom: 2 1/8" (53.9 mm) min., 2 7/8" (73 mm) max.
 Application: By-passing

Top Line Grant 72-223 door hardware is available in four purchasing options

Option I

Complete package, includes track, hardware set, and all screws

Hardware and track

| Length | Order no. | PU |
|--------------|-----------|--------|
| 4' (1200 mm) | 113 337 4 | 5 sets |
| 5' (1500 mm) | 113 337 5 | 5 sets |
| 6' (1800 mm) | 113 337 6 | 5 sets |
| 8' (2400 mm) | 113 337 7 | 5 sets |

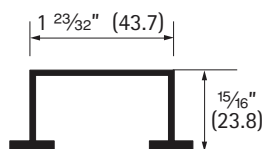
For longer track application order hardware set and track separately

Option II

Track only

Double track 7003

Aluminum extruded, pre-drilled holes



| Length | Order no. | PU |
|---------------|-----------|----|
| 4' (1200 mm) | 050 533 | 5 |
| 5' (1500 mm) | 050 534 | 5 |
| 6' (1800 mm) | 050 535 | 5 |
| 8' (2400 mm) | 050 536 | 5 |
| 10' (3000 mm) | 050 537 | 5 |
| 12' (3600 mm) | 050 538 | 5 |
| 16' (4800 mm) | 050 539 | 5 |

Screws not included - recommend #8 Pan Head
 Tracks 8' and under are notched at one end for easy access

Option III

Hardware set only

Top Line Grant 72-223 hardware set
 (without track)

The hardware set includes:
 4 carriers 7000 precision ball bearing wheels
 4 top plates 7222
 1 floor guide 117
 1 wrench
 necessary screws and installation instructions

| Article | Order no. | PU |
|--------------|-----------|---------|
| Hardware set | 113 337 3 | 10 sets |

Option IV

Separate components

Top Line Grant 72-223 components

Carrier 7000 ball bearing

Steel, precision ball bearing wheels,
 up to 150 lbs/door (68 kg/door)



| Finish | Order no. | PU |
|-------------|-----------|-----|
| zinc-plated | 113 333 9 | 100 |

Top plate 7222

with pendant bolt,
 steel, adjustable

Screws included



| Finish | Order no. | PU |
|-------------|-----------|-----|
| zinc-plated | 050 566 | 100 |

Floor guide 117

Steel/Nylon

Screws included



| Finish | Order no. | PU |
|-------------|-----------|----|
| zinc-plated | 050 104 | 50 |

Optional parts (not included in set)

Carrier 7000 nylon

Steel, wheel nylon,
 up to 100 lbs/door (45 kg/door)



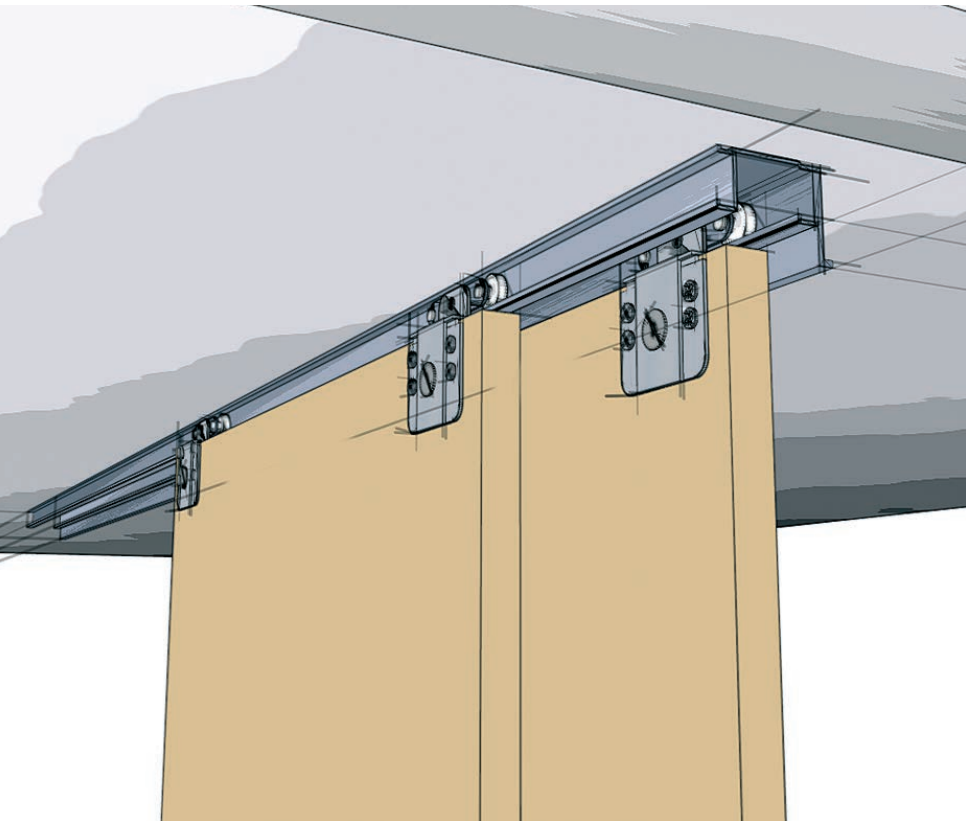
| Finish | Order no. | PU |
|-------------|-----------|-----|
| zinc-plated | 113 333 8 | 100 |

Bumper stop 7014

Steel, track mounted,
 rubber stop, 2 required per track



| Finish | Order no. | PU |
|-------------|-----------|----|
| zinc-plated | 050 561 | 20 |

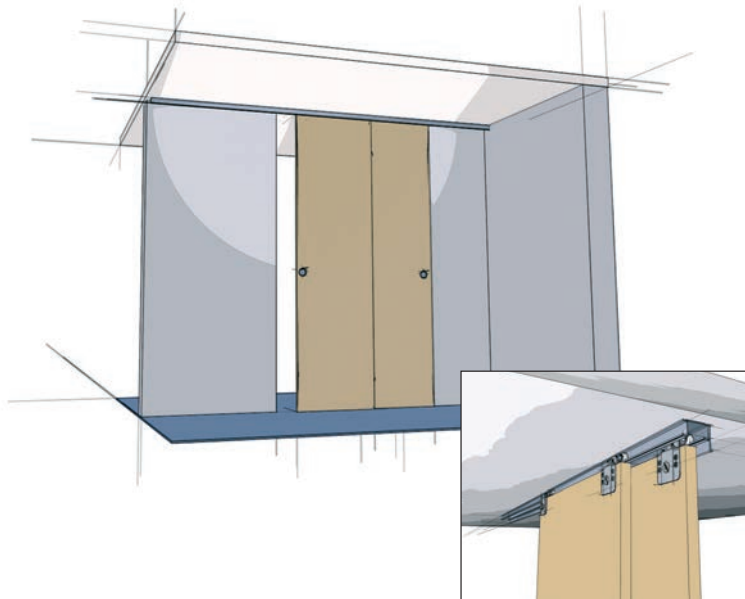


Grant® By-Pass Door Sets with Fascia
for Sliding Doors

By-passing Door Sets with Fascia

Top Line Grant 6065

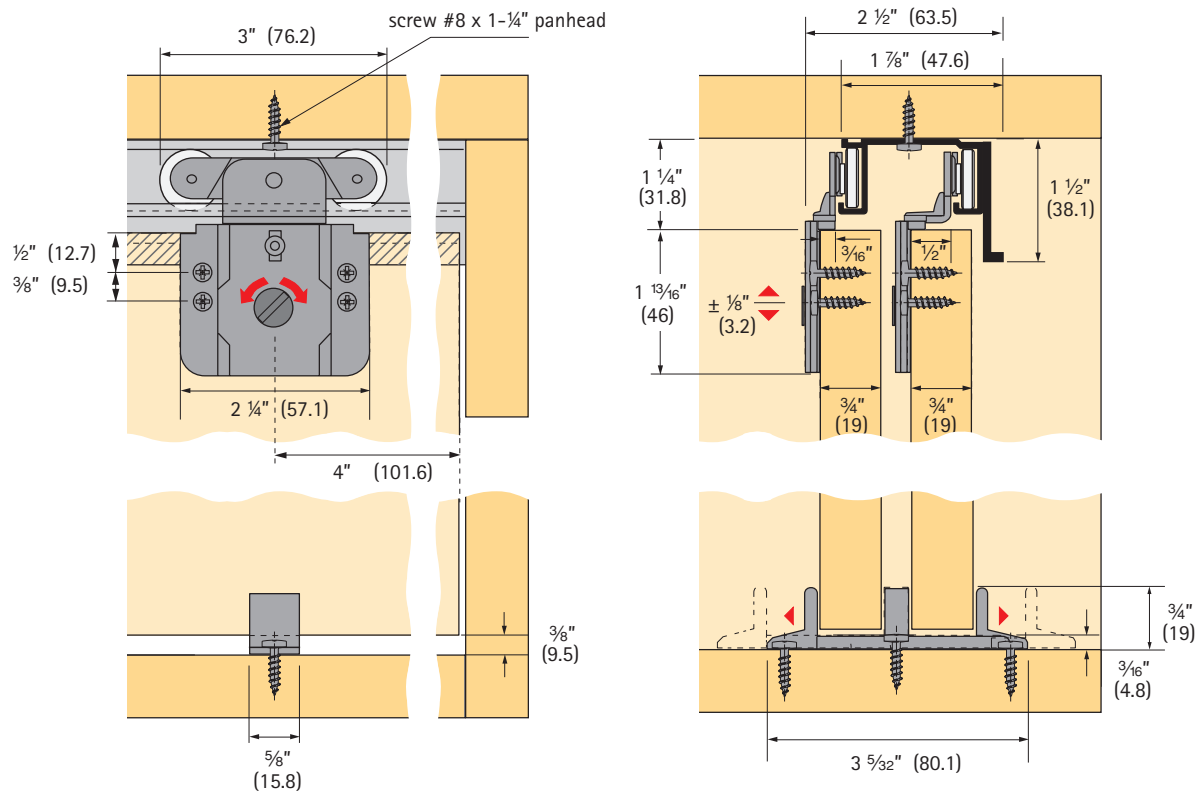
up to 75 lbs/door (34 kg/door), double track with fascia,
for door thickness $\frac{3}{4}$ " (19 mm), side mount, adjustable



Top Line Grant 6065

A medium duty sliding door hardware series with fascia track for by-passing installations. Applications include doors between rooms, closet doors, cabinets, storage walls and partitions.

- For $\frac{3}{4}$ " doors weighing up to 75 lbs/door (34 kg/door)
- Ball-bearing wheels ensure a smooth, quiet and long lasting performance.
- Dual set of mounting holes; ideal for hollow core doors
- Aluminum track with $1\frac{1}{2}$ " fascia, decorative anodized finish
- Easy-turn cam vertical adjustment
- Pivoting rocker arms ensure track-carrier contact.
- Dust free track design
- Quick door hanging by tilting pre-mounted hardware onto track profile
- Floor guide required
- Made in USA



Technical specifications are subject to change without notice

Specifications:

Mounting: Side
 Adjustment: ¼" (6.4 mm) vertical
 Door thickness: ¾" (19 mm)
 Headroom: 1½" (28.6 mm) min., 1⅜" (34.9 mm) max.
 Application: By-passing

Top Line Grant 6065 door hardware is available in four purchasing options

Option I

Complete package: includes track, hardware set, and all screws

| Length | Order no. | PU |
|--------------|-----------|---------|
| 4' (1200 mm) | 113 333 0 | 10 sets |
| 6' (1800 mm) | 113 333 1 | 10 sets |

For longer track application order hardware set and track separately

Option II

Track only

Double track with fascia 6005

Aluminum extruded, pre-drilled holes



| Length | Order no. | PU |
|---------------|-----------|----|
| 8' (2400 mm) | 050 475 | 5 |
| 12' (3600 mm) | 050 477 | 5 |

Screws not included - recommend #8 Pan Head

Option III

Hardware set only

Top Line Grant 6064 hardware set
(without track)

The hardware set includes:
 2 carriers 6350 ball bearing wheels
 2 carriers 6360 ball bearing wheels
 1 floor guide 114
 necessary screws
 installation instructions

| Article | Order no. | PU |
|--------------|-----------|---------|
| Hardware set | 113 332 5 | 10 sets |

Option IV

Separate components

Top Line Grant 6065 components

Carrier 6350

Steel, double wheel, ⅜" offset, side mounting, adjustable, ball bearing wheels, dual mounting holes

Screws included



| Finish | Order no. | PU |
|-------------|-----------|----|
| zinc-plated | 113 333 6 | 50 |

Carrier 6360

Steel, double wheel, ½" offset, side mounting, adjustable, ball bearing wheels, dual mounting holes

Screws included



| Finish | Order no. | PU |
|-------------|-----------|----|
| zinc-plated | 113 333 7 | 50 |

Floor guide 114

Nylon
 Adjustable for ¾" to 1 ⅜" doors
 Screws included



| Finish | Order no. | PU |
|--------|-----------|----|
| N/A | 050 102 | 50 |

Sliding Door Hardware with Fascia

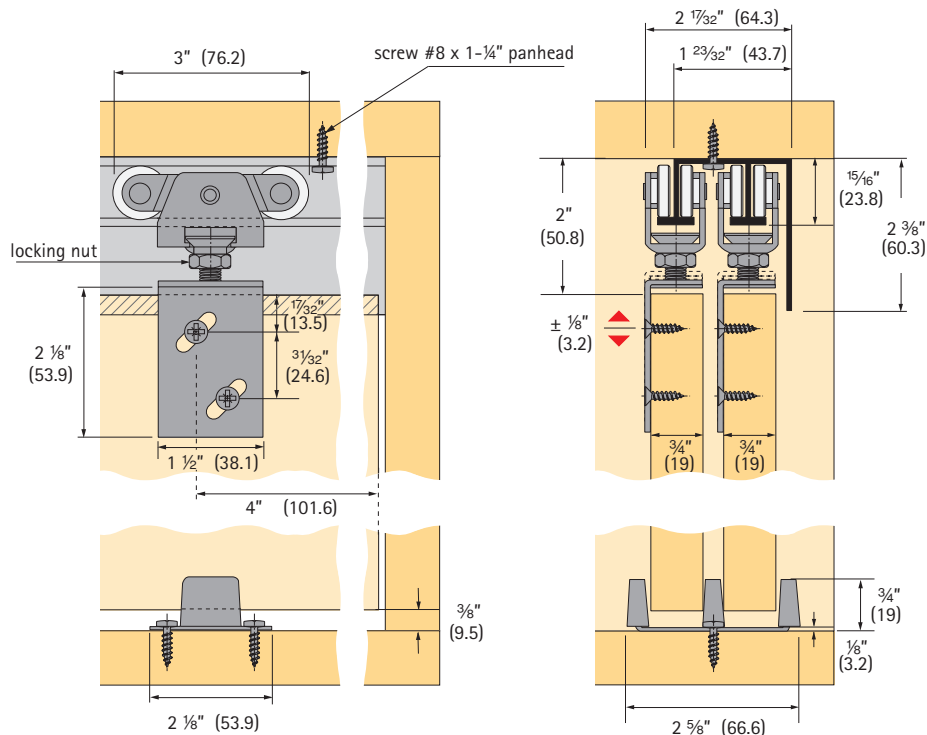
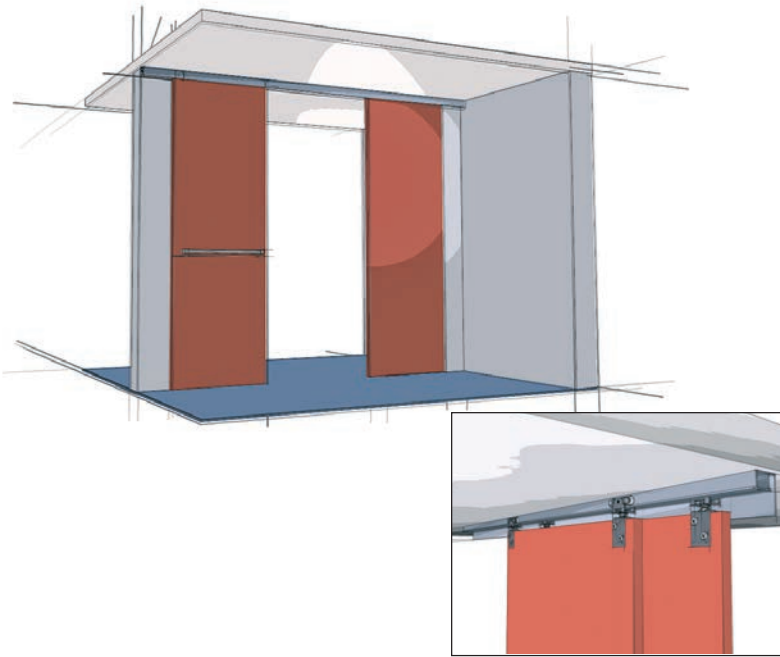
Top Line Grant 73-034

up to 150 lbs/door (68 kg/door), double track with fascia,
for door thickness $\frac{3}{4}$ " (19 mm), side mount, adjustable

Top Line Grant 73-034

A medium duty commercial and residential grade sliding door hardware series with fascia that is ideal for by-passing installations. Applications include doors between rooms, closet doors, cabinets, storage walls and partitions.

- For $\frac{3}{4}$ " doors weighing up to 150 lbs (68 kg), optional nylon wheel carrier up to 100 lbs (45 kg)
- Precision ball-bearing wheels ensure a smooth, quiet and long lasting performance.
- Heavy duty aluminum Double I-beam track; jump proof design
- Track with $2 \frac{3}{8}$ " fascia, decorative anodized finish
- Pivoting rocker arms ensure track-carrier contact.
- Ball and socket suspension compensates for minor header misalignment.
- Lock nut ensures permanent positioning.
- Serrations in apron permit vertical adjustment.
- Meets and/or exceeds ANSI/BHMA standards
- Made in USA



Technical specifications are subject to change without notice

Specifications:

Mounting: Side
 Adjustment: ¼" (6.4 mm) vertical
 Door thickness: ¾" (19 mm)
 Headroom: 1⅞" (47.6 mm), 2⅛" (53.9 mm) max.
 Application: By-passing

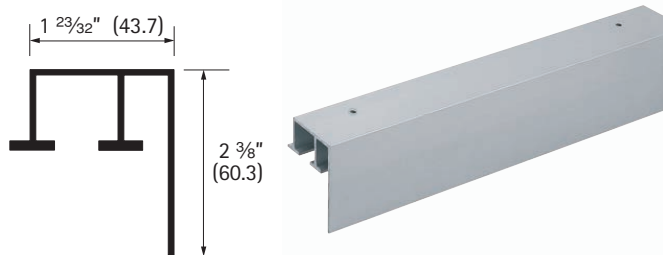
Top Line Grant 73-034 door hardware is available in three purchasing options (not available in sets)

Option I

Track only

Double track with fascia 7004

Aluminum extruded, pre-drilled holes



| Length | Order no. | PU |
|---------------|-----------|----|
| 4' (1200 mm) | 050 540 | 5 |
| 5' (1500 mm) | 050 541 | 5 |
| 6' (1800 mm) | 050 542 | 5 |
| 8' (2400 mm) | 050 543 | 5 |
| 10' (3000 mm) | 050 544 | 5 |
| 12' (3600 mm) | 050 545 | 5 |
| 16' (4800 mm) | 050 546 | 5 |

Screws not included - recommend #8 Pan Head
 Tracks 8' and under are notched at one end for easy access

Option II

Hardware set only

Top Line Grant 72-034 hardware set
 (without track)

The hardware set includes:
 4 carriers 7000 precision ball bearing wheels
 4 aprons 7034
 1 floor guide 116
 1 wrench
 necessary screws and installation instructions

| Article | Order no. | PU |
|--------------|-----------|---------|
| Hardware set | 113 335 0 | 10 sets |

Option III

Separate components

Top Line Grant 73-034 components

Carrier 7000 ball bearing

Steel, precision ball bearing wheels,
 up to 150 lbs/door (68 kg/door)



| Finish | Order no. | PU |
|-------------|-----------|-----|
| zinc-plated | 113 333 9 | 100 |

Apron 7034

Cold rolled steel,
 adjustable, ¾" offset

Screws included



| Finish | Order no. | PU |
|-------------|-----------|-----|
| zinc-plated | 050 563 | 100 |

Floor guide 116

Steel/Nylon

Screws included



| Finish | Order no. | PU |
|-------------|-----------|----|
| zinc-plated | 050 103 | 50 |

Optional parts (not included in set)

Carrier 7000 nylon

Steel, wheel nylon,
 up to 100 lbs/door (45 kg/door)



| Finish | Order no. | PU |
|-------------|-----------|-----|
| zinc-plated | 113 333 8 | 100 |

Bumper stop 7014

Steel, track mounted,
 rubber stop, 2 required per track

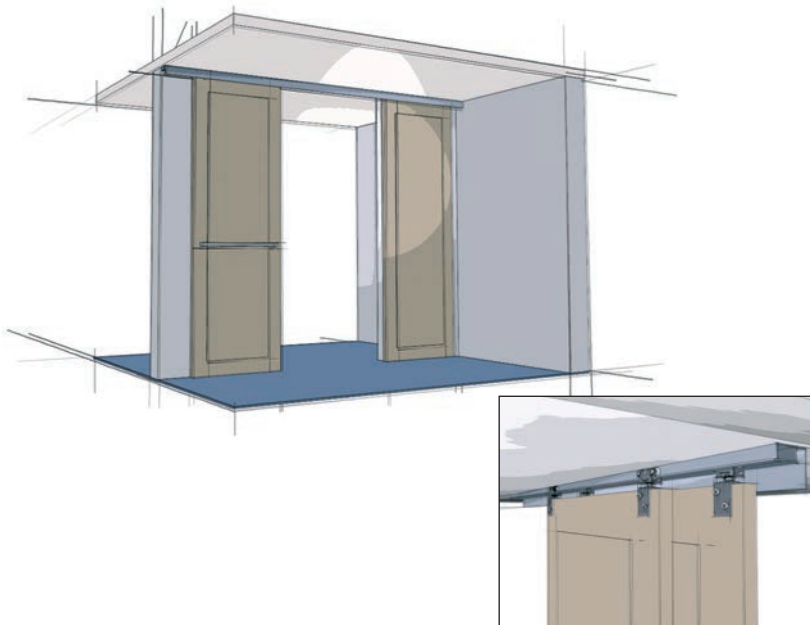


| Finish | Order no. | PU |
|-------------|-----------|----|
| zinc-plated | 050 561 | 20 |

Sliding Door Hardware with Fascia

Top Line Grant 73-138

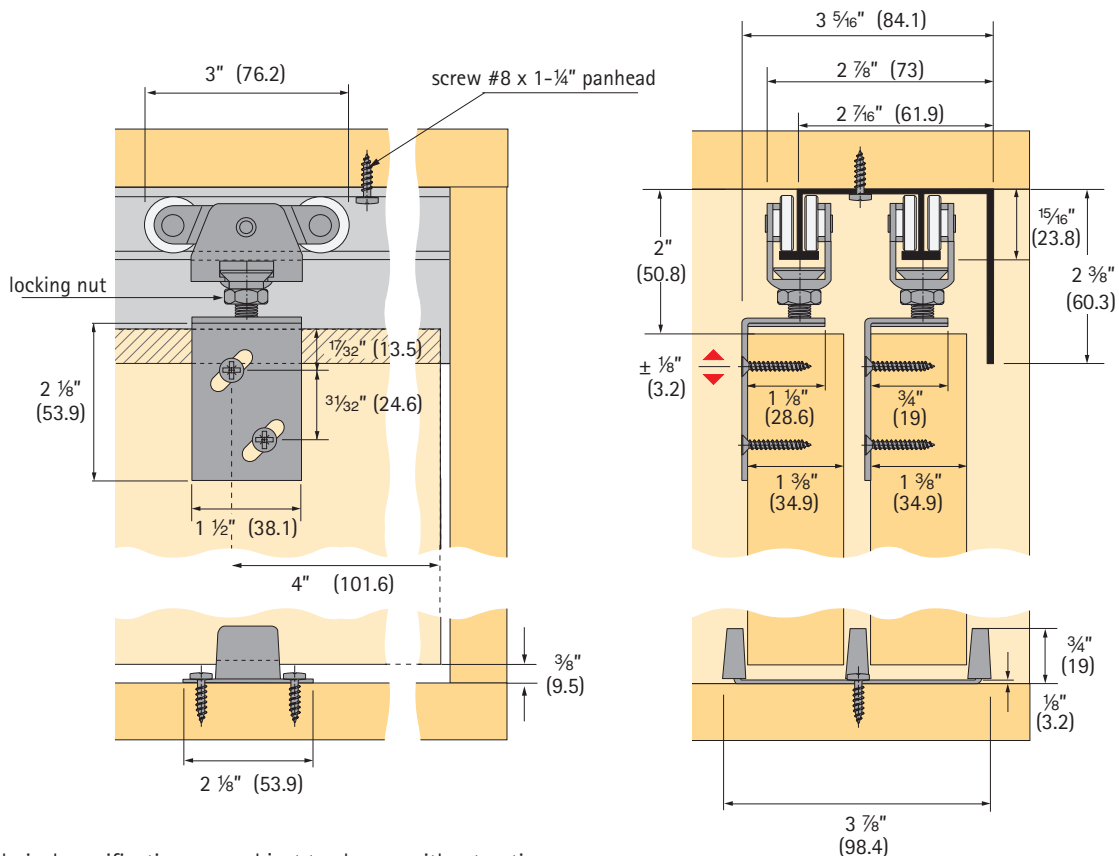
up to 150 lbs/door (68 kg/door), double track with fascia,
for door thickness 1 3/8" (34.9 mm), side mount, adjustable



Top Line Grant 73-138

A medium duty commercial and residential grade sliding door hardware series with fascia for by-passing installations. Applications include doors between rooms, closet doors, closets, cabinets, storage walls and partitions.

- For 1 3/8" doors weighing up to 150 lbs (68 kg), optional nylon wheel carrier up to 100 lbs (45 kg)
- Precision ball-bearing wheels ensure a smooth, quiet and long lasting performance.
- Heavy duty aluminum Double I-beam track; jump proof design
- Track with 2 3/8" fascia, decorative anodized finish
- Pivoting rocker arms ensure track-carrier contact.
- Ball and socket suspension compensates for minor header misalignment.
- Lock nut ensures permanent positioning.
- Serrations in apron permit vertical adjustment.
- Meets and/or exceeds ANSI/BHMA standards
- Made in USA



Specifications:

Mounting: Side
 Adjustment: ¼" (6.4 mm) vertical
 Door thickness: 1⅜" (34.9 mm)
 Headroom: 1⅞" (47.6 mm) min., 2⅝" (53.9 mm) max.
 Application: By-passing

Top Line Grant 73-138 door hardware is available in four purchasing options

Option I

Complete package: includes track, hardware set, and all screws

Hardware and track

| Length | Order no. | PU |
|--------------|-----------|--------|
| 4' (1200 mm) | 113 338 2 | 5 sets |
| 5' (1500 mm) | 113 338 3 | 5 sets |
| 6' (1800 mm) | 113 338 4 | 5 sets |
| 8' (2400 mm) | 113 338 5 | 5 sets |

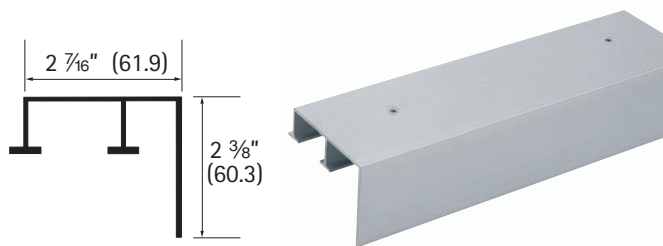
For longer track application order hardware set and track separately

Option II

Track only

Double track with fascia 7005

Aluminum extruded, pre-drilled holes



| Length | Order no. | PU |
|---------------|-----------|----|
| 5' (1500 mm) | 050 548 | 5 |
| 6' (1800 mm) | 050 549 | 5 |
| 8' (2400 mm) | 050 550 | 5 |
| 10' (3000 mm) | 050 551 | 5 |
| 12' (3600 mm) | 050 552 | 5 |
| 16' (4800 mm) | 050 553 | 5 |

Screws not included - recommend #8 Pan Head
 Tracks 8' and under are notched at one end for easy access

Option III

Hardware set only

Top Line Grant 72-138 hardware set
 (without track)

The hardware set includes:
 4 carriers 7000 precision ball bearing wheels
 4 aprons 7138
 1 floor guide 117
 1 wrench
 necessary screws and installation instructions

| Article | Order no. | PU |
|--------------|-----------|---------|
| Hardware set | 113 336 3 | 10 sets |

Option IV

Separate components

Top Line Grant 73-138 components

Carrier 7000 ball bearing

Steel, precision ball bearing wheels,
 up to 150 lbs/door (68 kg/door)



| Finish | Order no. | PU |
|-------------|-----------|-----|
| zinc-plated | 113 333 9 | 100 |

Apron 7138

Cold rolled steel,
 adjustable, 1 ⅞" offset



Screws included

| Finish | Order no. | PU |
|-------------|-----------|-----|
| zinc-plated | 050 565 | 100 |

Floor guide 117

Steel/Nylon

Screws included



| Finish | Order no. | PU |
|-------------|-----------|----|
| zinc-plated | 050 104 | 50 |

Optional parts (not included in set)

Carrier 7000 nylon

Steel, wheel nylon,
 up to 100 lbs/door (45 kg/door)



| Finish | Order no. | PU |
|-------------|-----------|-----|
| zinc-plated | 113 333 8 | 100 |

Bumper stop 7014

Steel, track mounted,
 rubber stop, 2 required per track

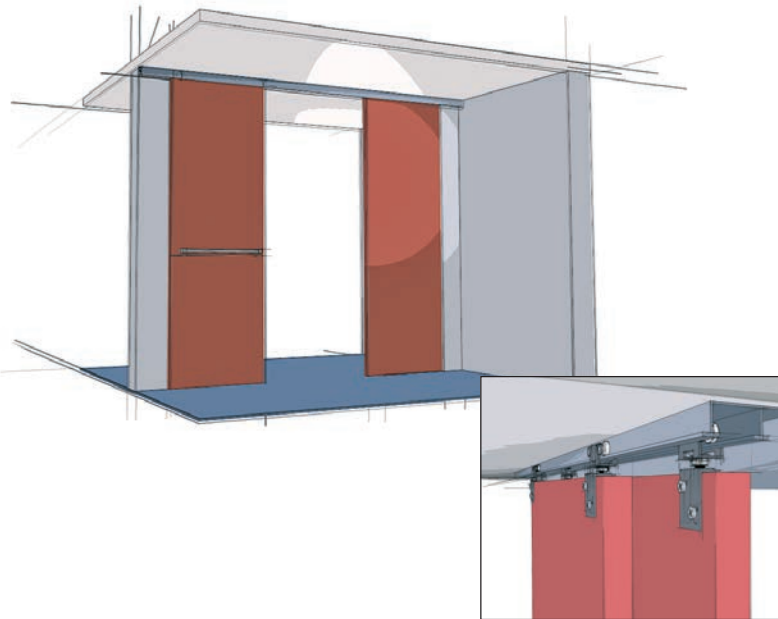


| Finish | Order no. | PU |
|-------------|-----------|----|
| zinc-plated | 050 561 | 20 |

Sliding Door Hardware with Fascia

Top Line Grant 73-134

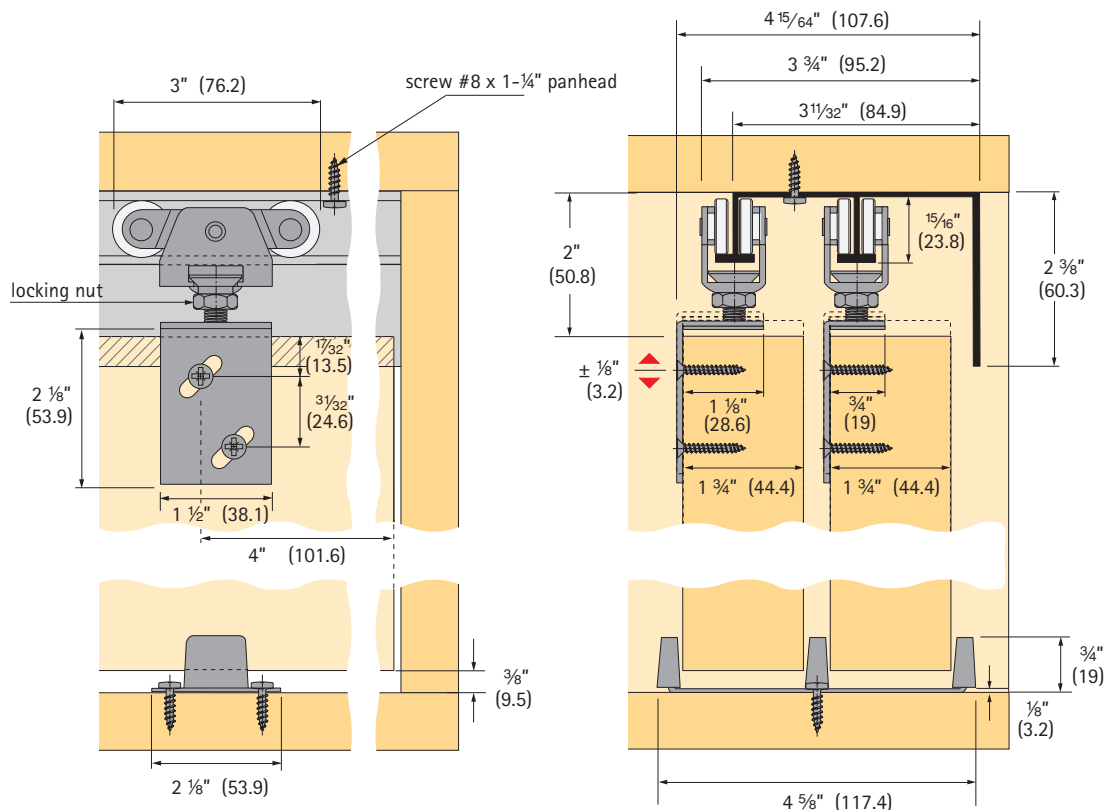
up to 150 lbs/door (68 kg/door), double track with fascia,
for door thickness 1 3/4" (44.4 mm), side mount, adjustable



Top Line Grant 73-134

A medium duty commercial and residential grade sliding door hardware series with fascia for by-passing installations. Applications include doors between rooms, closet doors, cabinets, storage walls and partitions.

- For 1 3/4" doors weighing up to 150 lbs (68 kg), optional nylon wheel carrier up to 100 lbs (45 kg)
- Precision ball-bearing wheels ensure a smooth, quiet and long lasting performance.
- Heavy duty aluminum Double I-beam track; jump proof design
- Track with 2 3/8" fascia, decorative anodized finish
- Pivoting rocker arms ensure track-carrier contact.
- Ball and socket suspension compensates for minor header misalignment.
- Lock nut ensures permanent positioning.
- Serrations in apron permit vertical adjustment.
- Meets and/or exceeds ANSI/BHMA standards
- Made in USA



Specifications:

Mounting: Side
 Adjustment: ¼" (6.4 mm) vertical
 Door thickness: 1¾" (44.4 mm)
 Headroom: 1⅞" (47.6 mm) min., 2⅝" (53.9 mm) max.
 Application: By-passing

Top Line Grant 73-134 door hardware is available in four purchasing options

Option I

Complete package: includes track, hardware set, and all screws

Hardware and track

| Length | Order no. | PU |
|--------------|-----------|--------|
| 4' (1200 mm) | 113 337 8 | 5 sets |
| 5' (1500 mm) | 113 337 9 | 5 sets |
| 6' (1800 mm) | 113 338 0 | 5 sets |
| 8' (2400 mm) | 113 338 1 | 5 sets |

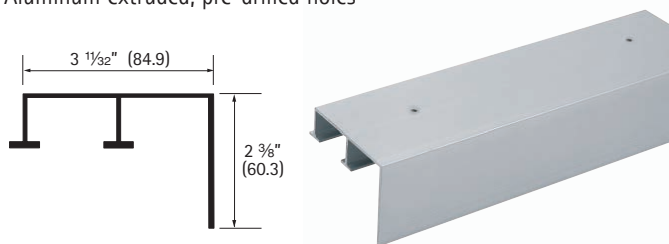
For longer track application order hardware set and track separately

Option II

Track only

Double track with fascia 7007

Aluminum extruded, pre-drilled holes



| Length | Order no. | PU |
|---------------|-----------|----|
| 5' (1500 mm) | 050 555 | 5 |
| 6' (1800 mm) | 050 556 | 5 |
| 8' (2400 mm) | 050 557 | 5 |
| 10' (3000 mm) | 050 558 | 5 |
| 12' (3600 mm) | 050 559 | 5 |
| 16' (4800 mm) | 050 560 | 5 |

Screws not included - recommend #8 Pan Head
 Tracks 8' and under are notched at one end for easy access

Option III

Hardware set only

Top Line Grant 72-134 hardware set
 (without track)

The hardware set includes:
 4 carriers 7000 precision ball bearing wheels
 2 aprons 7034 (front door)
 2 aprons 7138 (rear door)
 1 floor guide 118
 1 wrench
 necessary screws and installation instructions

| Article | Order no. | PU |
|--------------|-----------|---------|
| Hardware set | 113 335 8 | 10 sets |

Option IV

Separate components

Top Line Grant 73-134 components

Carrier 7000 ball bearing

Steel, precision ball bearing wheels,
 up to 150 lbs/door (68 kg/door)



| Finish | Order no. | PU |
|-------------|-----------|-----|
| zinc-plated | 113 333 9 | 100 |

Apron 7034/7138

Cold rolled steel,
 adjustable

Screws included



| Article | Finish | Order no. | PU |
|--------------------------|-------------|-----------|-----|
| 1 apron 7034, ¾" offset | zinc-plated | 050 563 | 100 |
| 2 apron 7138, 1⅞" offset | zinc-plated | 050 565 | 100 |

Floor guide 118

Steel/Nylon

Screws included



| Finish | Order no. | PU |
|-------------|-----------|----|
| zinc-plated | 050 105 | 50 |

Optional parts (not included in set)

Carrier 7000 nylon

Steel, wheel nylon,
 up to 100 lbs/door (45 kg/door)



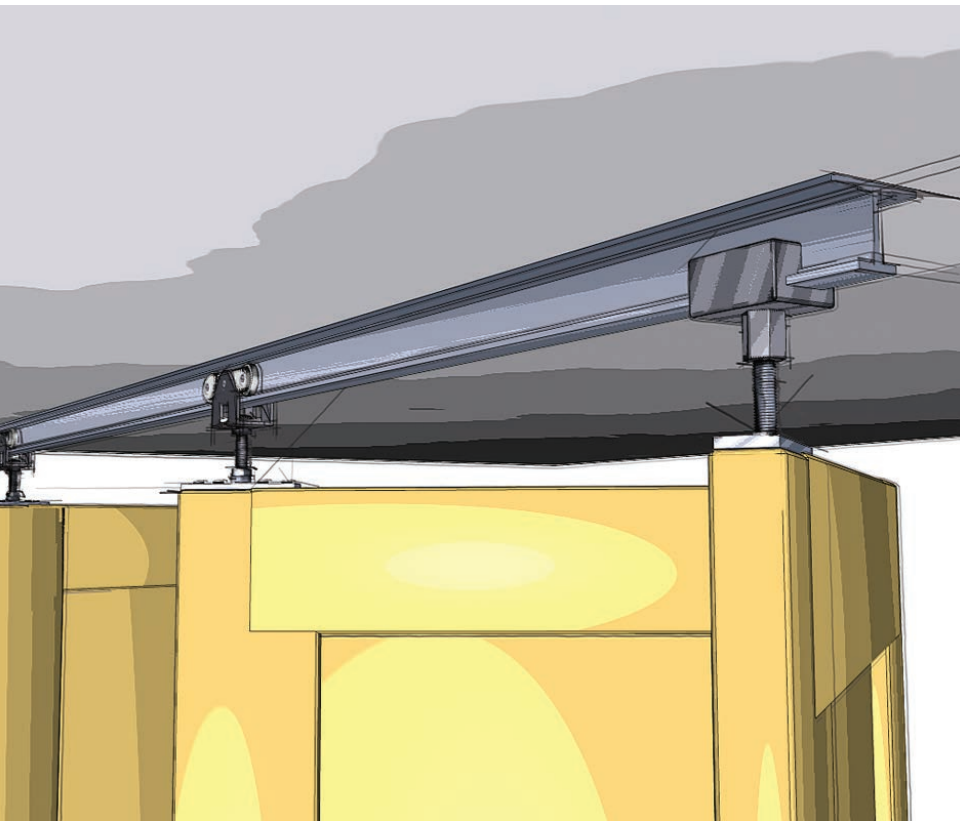
| Finish | Order no. | PU |
|-------------|-----------|-----|
| zinc-plated | 113 333 8 | 100 |

Bumper stop 7014

Steel, track mounted,
 rubber stop, 2 required per track



| Finish | Order no. | PU |
|-------------|-----------|----|
| zinc-plated | 050 561 | 20 |



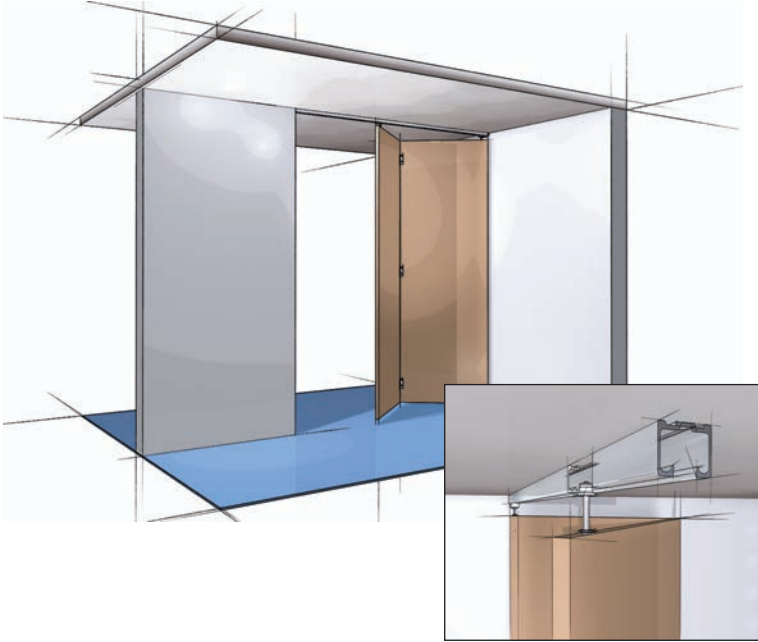
Grant® Folding Door Sets
for Light, Medium and Heavy duty Doors

Light Duty Bi-fold Door Sets

Grant Bi-fold 25

up to 25 lbs/panel (11 kg/panel)

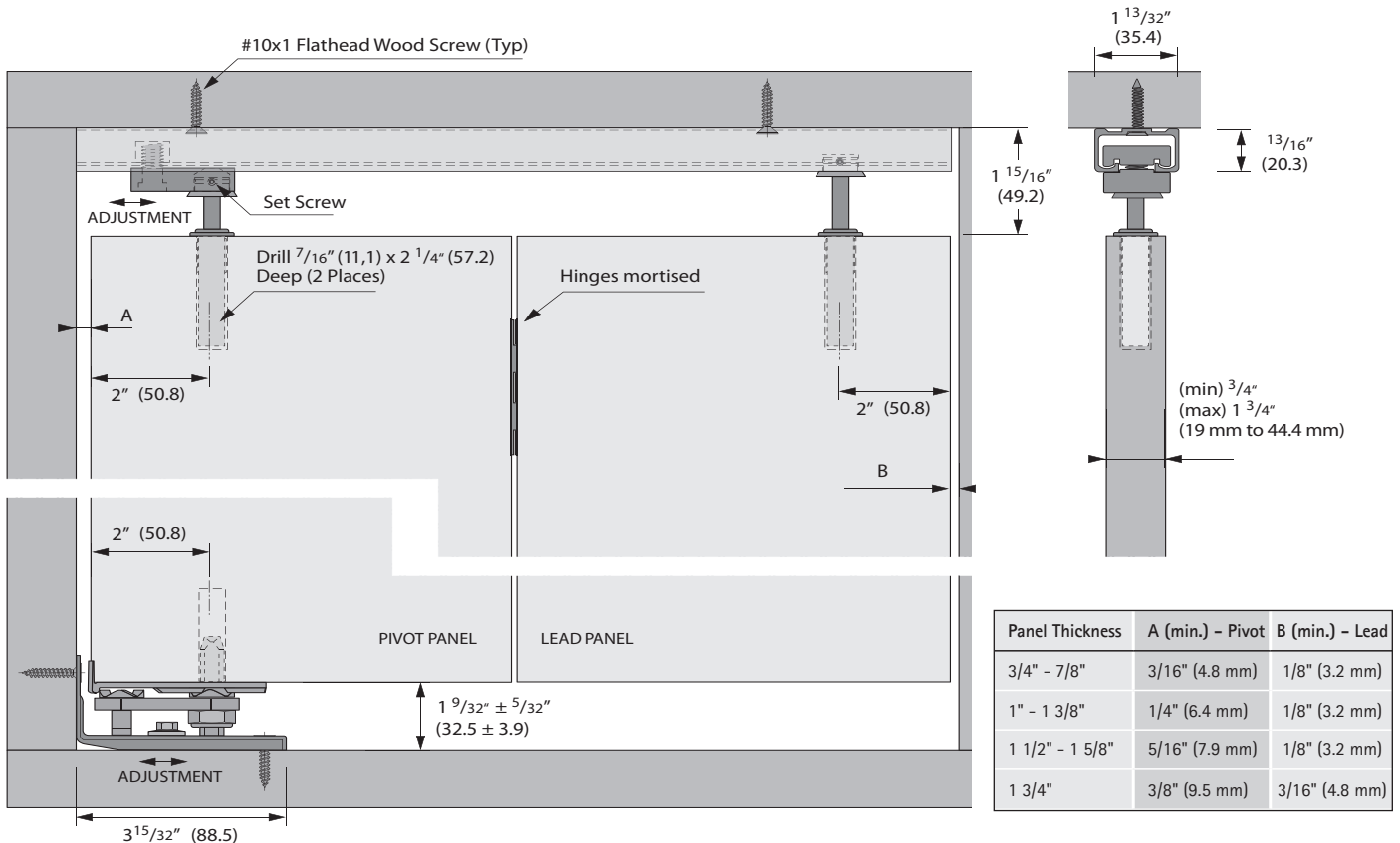
for door thickness $\frac{3}{4}$ " (19 mm) up to $1 \frac{3}{4}$ " (44.4 mm), top mount, adjustable



Grant Bi-fold 25

A light duty top hung folding door system for residential and commercial applications. The Grant Bi-fold 25 system supports light weight bi-folding door installations. Ideal for closet doors.

- For door panels $\frac{3}{4}$ " (19 mm) up to $1 \frac{3}{4}$ " (44.4 mm)
- For doors weighing up to 25 lbs (11 kg) per panel
- Doors fold flat for better access
- Unique stay-open stay-close design keeps door in place
- Simple and quick to install
- Floor cam functions as marking template ensuring top and bottom holes are aligned, no measuring needed
- Spring plunger glides smoothly and easily while staying securely in place
- Pre-drilled aluminum track up to 16' (4800 mm)
- No bottom guide assistance required
- Meets and/or exceeds ANSI/BHMA standards



Technical specifications are subject to change without notice

Specifications:

Mounting: Top
 Adjustment: $\frac{5}{16}$ " (7.9 mm) vertical
 Door thickness: $\frac{3}{4}$ " (19 mm) to $1\frac{3}{4}$ " (44.4 mm)
 Headroom: $1\frac{25}{32}$ " (45.3 mm) min., $2\frac{3}{32}$ " (53.1 mm) max.
 Application: Bi-fold

Grant Bi-fold 25 door hardware is available in three purchasing options

● -jamb pivot ○ -carrier

Option I

Complete package: includes track, hardware set, and all screws

Grant Bi-fold 25 2-dr 1-way set Hardware and track

Packing includes:
 1 track 50E
 1 hardware set Bi-fold 25



| Length | Order no. | PU |
|--------------|-----------|--------|
| 3' (900 mm) | 113 522 9 | 5 sets |
| 4' (1200 mm) | 113 523 0 | 5 sets |

For longer track application order hardware set and track separately

Grant Bi-fold 25 4-dr 2-each way set Hardware and track

Packing includes:
 1 track 50E
 2 hardware set Bi-fold 25



| Length | Order no. | PU |
|--------------|-----------|--------|
| 4' (1200 mm) | 113 523 1 | 5 sets |
| 5' (1500 mm) | 113 523 2 | 5 sets |
| 6' (1800 mm) | 113 523 3 | 5 sets |
| 8' (2400 mm) | 113 523 4 | 5 sets |

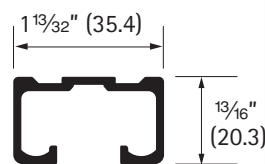
For longer track application order hardware set and track separately

Option II

Track only

Single track 50E

Aluminum extruded, pre-drilled holes



| Length | Order no. | PU |
|---------------|-----------|------|
| 3' (900 mm) | 113 440 6 | each |
| 4' (1200 mm) | 113 439 9 | each |
| 5' (1500 mm) | 113 440 0 | each |
| 6' (1800 mm) | 113 440 1 | each |
| 8' (2400 mm) | 113 440 2 | each |
| 10' (3000 mm) | 113 440 3 | each |
| 12' (3600 mm) | 113 440 4 | each |
| 16' (4800 mm) | 113 440 5 | each |

Screws not included – recommend #10 Flat Head

Option III

Hardware set only (without track)

Grant Bi-fold 25 Hardware set 2-dr 1-way for two door installation, one way

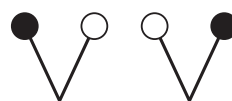
Hardware set includes:
 1 pivot plate assembly
 2 plunger spring assembly
 1 floor cam assembly
 1 bi-fold hinge set 2646
 necessary screws
 installation instructions



| Article | Order no. | PU |
|-------------------------|-----------|---------|
| Hardware set 2-dr 1-way | 113 434 6 | 10 sets |

Grant Bi-fold 25 Hardware set 4-dr 2-each way for four door installation, two door each way

Hardware set includes:
 2 pivot plate assembly
 4 plunger spring assembly
 2 floor cam assembly
 2 bi-fold hinge sets 2646
 necessary screws
 installation instructions



| Article | Order no. | PU |
|------------------------------|-----------|---------|
| Hardware set 4-dr 2-each way | 113 524 1 | 10 sets |

Light Duty Bi-fold Door Sets

Grant Bi-fold 25

up to 25 lbs/panel (11 kg/panel)

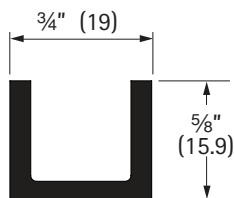
for door thickness $\frac{3}{4}$ " (19 mm) to $1 \frac{3}{4}$ " (44.4 mm), top mount, adjustable

Accessory parts (not included in set)

NOTE: The Bi-fold 25 folding door system does not require the assistance of a bottom guide. If a bottom guide is desired the Guide channel 1222 and 1221 adjustable floor guide can be used. Installation measurements must be checked as some extreme adjustments may not work.

Guide channel 1222

Aluminum extruded



| Length | Order no. | PU |
|---------------|-----------|----|
| 4' (1200 mm) | 050 142 | 5 |
| 5' (1500 mm) | 050 143 | 5 |
| 6' (1800 mm) | 050 144 | 5 |
| 8' (2400 mm) | 050 145 | 5 |
| 10' (3000 mm) | 050 146 | 5 |
| 12' (3600 mm) | 050 147 | 5 |
| 16' (4800 mm) | 050 148 | 5 |

Screws not included - recommend #6 Flat Head

Guide roller 1221

Steel, adjustable

Screws included

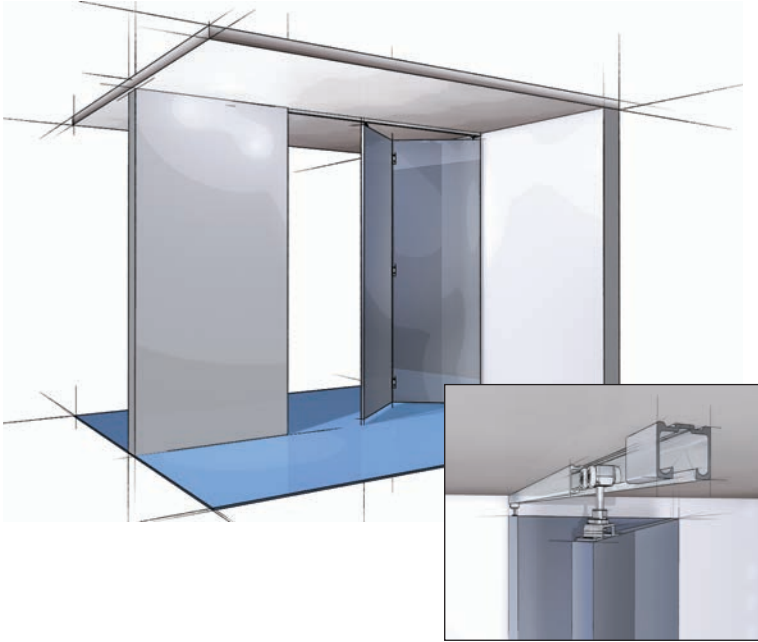


| Article | Order no. | PU |
|-------------------|-----------|----|
| Guide roller 1221 | 050 141 | 20 |

Light Duty Folding Door Set

Grant Bi-fold 50

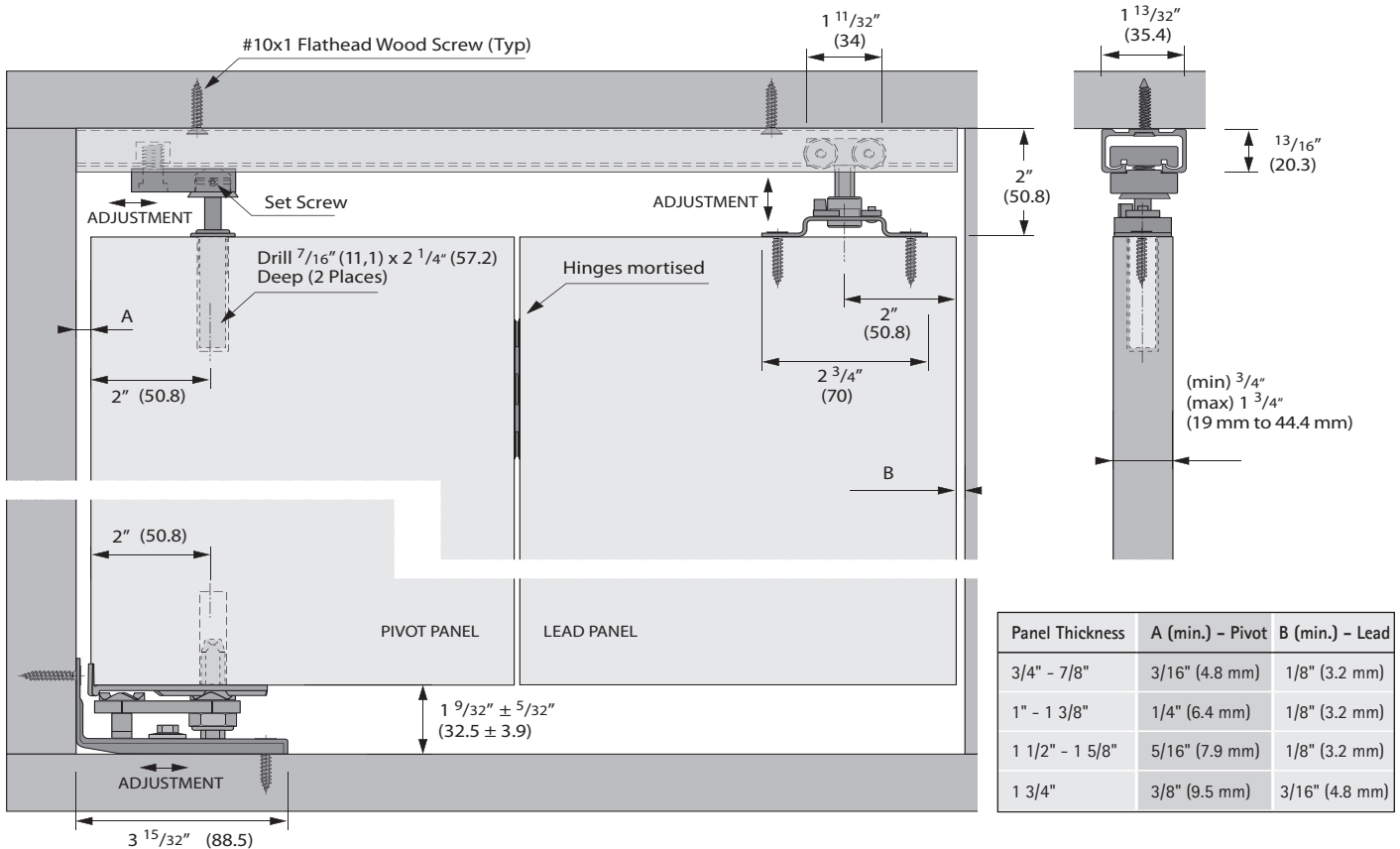
bi-fold up to 50 lbs/panel (23 kg/panel), multi-fold up to 30 lbs/panel (14 kg/panel)
 for door thickness 3/4" (19 mm) to 1 3/4" (44.4 mm), top mount, adjustable



Grant Bi-fold 50

A light duty top hung folding door system for residential and commercial applications. The Grant Bi-fold 50 system supports bi-folding and multi-folding door installations.

- For door panels 3/4" (19 mm) up to 1 3/4" (44.4 mm)
- For bi-fold doors weighing up to 50 lbs (23 kg) per panel, and multi-fold doors weighing up to 30 lbs (14 kg) per panel for up to 6 panels one way
- Doors fold flat for better access
- Unique stay-open stay-close design keeps door in place
- Ball bearing carrier with 4-wheels for smooth and long lasting operation
- Simple and easy to install, floor cam functions as marking template ensuring top and bottom holes are aligned, no measuring needed
- Pre-drilled aluminum track up to 16' (4800 mm)
- No bottom guide assistance required
- Meets and/or exceeds ANSI/BHMA standards



Technical specifications are subject to change without notice

Specifications:

- Mounting: Top
- Adjustment: 5/16" (7.9 mm) vertical
- Door thickness: 3/4" (19 mm) to 1 3/4" (44.4 mm)
- Headroom: 1 27/32" (46.8 mm) min., 2 5/32" (54.8 mm) max.
- Application: Bi-fold and Multi-fold up to 6 panels one way

Grant Bi-fold 50 door hardware is available in three purchasing options

● -jamb pivot ○ -carrier

Option I

Complete package: includes track, hardware set, and all screws

**Grant Bi-fold 50 2-dr 1-way set
Hardware and track**

- Packing includes:
1 track 50E
1 hardware set Bi-fold 50

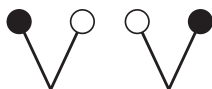


| Length | Order no. | PU |
|--------------|-----------|--------|
| 3' (900 mm) | 113 523 5 | 5 sets |
| 4' (1200 mm) | 113 523 6 | 5 sets |

For longer track application order hardware set and track separately

**Grant Bi-fold 50 4-dr 2-each way set
Hardware and track**

- Packing includes:
1 track 50E
2 hardware set B-fold 50



| Length | Order no. | PU |
|--------------|-----------|--------|
| 4' (1200 mm) | 113 523 7 | 5 sets |
| 5' (1500 mm) | 113 523 8 | 5 sets |
| 6' (1800 mm) | 113 523 9 | 5 sets |
| 8' (2400 mm) | 113 524 0 | 5 sets |

For longer track application order hardware set and track separately

Option II

Track only

Single track 50E

Aluminum extruded, pre-drilled holes



| Length | Order no. | PU |
|---------------|-----------|------|
| 3' (900 mm) | 113 440 6 | each |
| 4' (1200 mm) | 113 439 9 | each |
| 5' (1500 mm) | 113 440 0 | each |
| 6' (1800 mm) | 113 440 1 | each |
| 8' (2400 mm) | 113 440 2 | each |
| 10' (3000 mm) | 113 440 3 | each |
| 12' (3600 mm) | 113 440 4 | each |
| 16' (4800 mm) | 113 440 5 | each |

Screws not included – recommend #10 Flat Head

Option III

Hardware set only (without track)

**Grant Bi-fold 50 Hardware set 2-dr 1-way
for two door installation, one way**

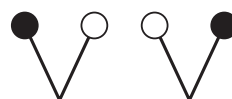
- Hardware set includes:
1 pivot plate assembly
1 carrier 50E with quick release top plate
1 plunger spring assembly
1 floor cam assembly
1 bi-fold hinge set 2646
necessary screws
installation instructions



| Article | Order no. | PU |
|-------------------------|-----------|---------|
| Hardware set 2-dr 1-way | 113 434 7 | 10 sets |

**Grant Bi-fold 50 Hardware set 4-dr 2-each way
for four door installation, two door each way**

- Hardware set includes:
2 pivot plate assembly
2 carrier 50E with quick release top plate
2 plunger spring assembly
2 floor cam assembly
2 bi-fold hinge sets 2646
necessary screws
installation instructions



| Article | Order no. | PU |
|------------------------------|-----------|---------|
| Hardware set 4-dr 2-each way | 113 524 3 | 10 sets |

Light Duty Folding Door Set

Grant Bi-fold 50

bi-fold up to 50 lbs/panel (23 kg/panel), multi-fold up to 30 lbs/panel (14 kg/panel)
for door thickness ¾" (19 mm) to 1 ¾" (44.4 mm), top mount, adjustable

Grant Bi-fold 50 Multi-fold doors:

Up to 6 panels one way

Bi-fold applications up to 50 lbs/panel (23 kg/panel)

Multi-fold applications up to 30 lbs/panel (14 kg)

For each additional set of panels over two add one (1) - Grant carrier 50 w/top plate and one (1) - Bi-fold hinge set

| No. of doors | Layout | Load Capacity per panel | Hardware sets less track | Item numbers to order |
|--------------|--------|-------------------------|----------------------------------------------------------------------------------|-------------------------------------------------|
| 2 | | 50 lbs (23 kg) | 1 - set BF50 2-Dr 1-way | 1 - 113 434 7 |
| 4 | | 50 lbs (23 kg) | 1 - set BF50 4-Dr 2-way | 1 - 113 524 3 |
| 4 | | 30 lbs (14 kg) | 1 - set BF50 2-Dr 1-way 1 - carrier 50E w/ top plate 1 - bi-fold hinge set | 1 - 113 434 7 1 - 113 432 2 1 - 113 440 7 |
| 6 | | 30 lbs (14 kg) | 1 - set BF50 2-Dr 1-way 2 - carrier 50E w/ top plate 2 - bi-fold hinge set | 1 - 113 434 7 2 - 113 432 2 2 - 113 440 7 |
| 8 | | 30 lbs (14 kg) | 1 - set BF50 4-Dr 2-way 2 - carrier 50E w/ top plate 2 - bi-fold hinge set | 1 - 113 524 3 2 - 113 432 2 2 - 113 440 7 |
| 8 | | 30 lbs (14 kg) | 1 - set BF50 4-Dr 2-way 2 - carrier 50E w/ top plate 2 - bi-fold hinge set | 1 - 113 524 3 2 - 113 432 2 2 - 113 440 7 |

Grant Carrier 50E with top plate

four ball bearing wheels

quick release top plate

screws included



| Article | Order no. | PU |
|-------------------------|-----------|----|
| Carrier 50E w/top plate | 113 432 2 | 10 |

Bi-fold Hinge Set

Contains: Three (3) 2646 Hinges Screws included

Steel, zinc plated, mortised



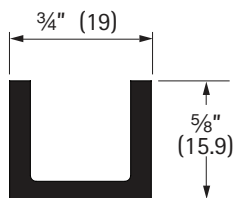
| Article | Order no. | PU |
|-------------------|-----------|----|
| Bi-fold Hinge Set | 113 440 7 | 10 |

Accessory parts (not included in set)

NOTE: The Bi-fold 50 folding door system does not require the assistance of a bottom guide. If a bottom guide is desired the Guide channel 1222 and 1221 adjustable floor guide can be used. Installation measurements must be checked as some extreme adjustments may not work.

Guide channel 1222

Aluminum extruded



| Length | Order no. | PU |
|---------------|-----------|----|
| 4' (1200 mm) | 050 142 | 5 |
| 5' (1500 mm) | 050 143 | 5 |
| 6' (1800 mm) | 050 144 | 5 |
| 8' (2400 mm) | 050 145 | 5 |
| 10' (3000 mm) | 050 146 | 5 |
| 12' (3600 mm) | 050 147 | 5 |
| 16' (4800 mm) | 050 148 | 5 |

Screws not included - recommend #6 Flat Head

Guide roller 1221

Steel, adjustable

Screws included

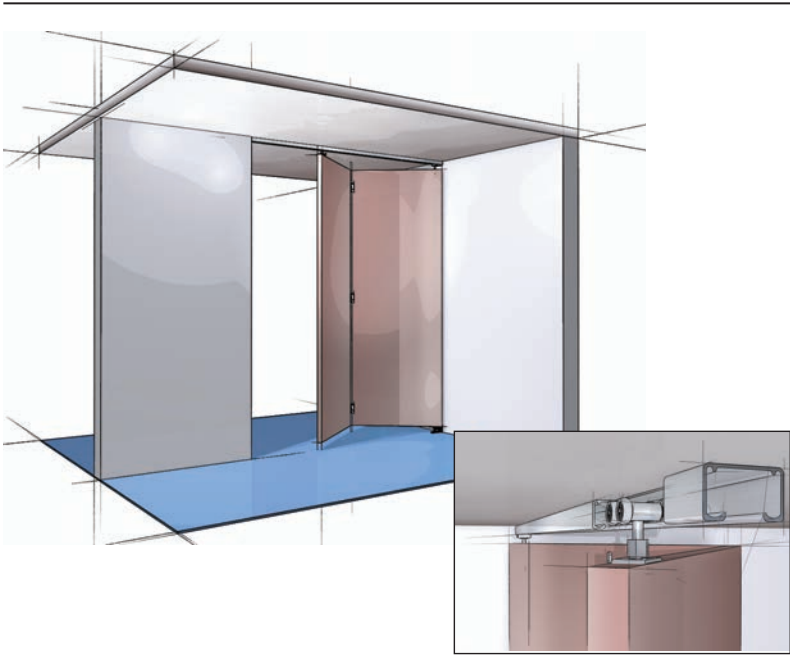


| Article | Order no. | PU |
|-------------------|-----------|----|
| Guide roller 1221 | 050 141 | 20 |

Medium Duty Bi-fold Door Set

Grant Bi-fold 150

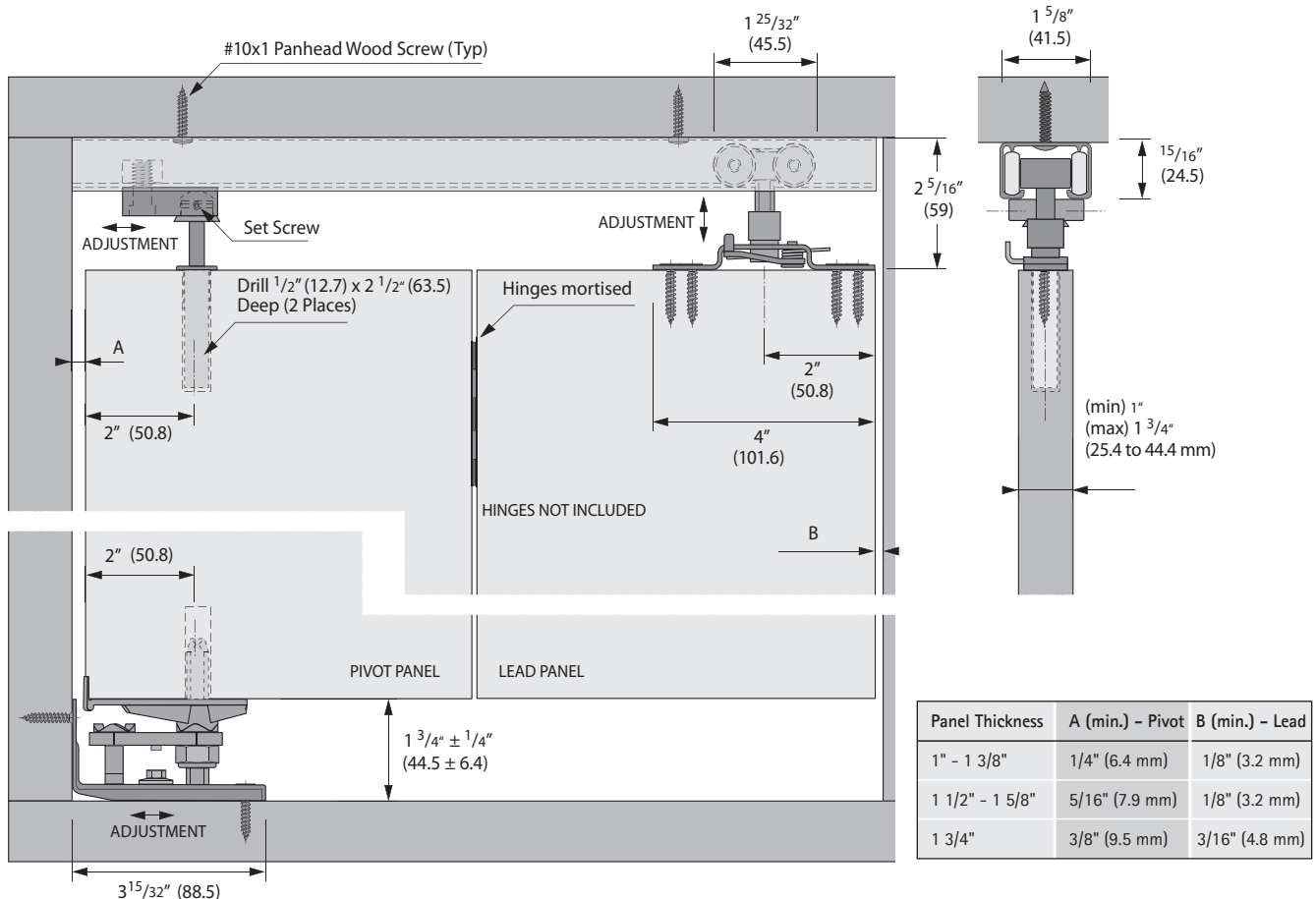
bi-fold up to 150 lbs/panel (68 kg/panel), multi-fold up to 75 lbs/panel (34 kg/panel)
 for door thickness 1" (25.4 mm) to 1 3/4" (44.4 mm), top mount, adjustable



Grant Bi-fold 150

A medium duty, top hung folding door system. The Grant Bi-fold 150 system supports most medium duty residential and commercial grade bi-fold and multi-fold applications.

- For door panels 1" (25.4 mm) to 1 3/4" (44.4 mm)
- For bi-fold doors weighing up to 150 lbs (68 kg) per panel and multi-fold doors weighing up to 75 lbs (34 kg) per panel
- 4 wheel carrier with precision ball bearing wheels for quiet, effortless operation
- Doors fold flat for better access
- Unique stay-open stay-close design to keep doors in place
- Simple and easy to install, floor cam functions as marking template ensuring top and bottom holes are aligned, no measuring needed
- Pre-drilled Aluminum track up to 16' (4800 mm)
- No bottom guide assistance required
- Meets and/or exceeds ANSI/BHMA standards



Technical specifications are subject to change without notice

Specifications:

Mounting: Top
 Adjustment: ½" (12.7 mm) vertical
 Door thickness: 1" (25.4 mm) to 1¾" (44.4 mm)
 Headroom: 2 ⅙" (52.4 mm) min., 2 ⅝" (65.1 mm) max.
 Application: Bi-fold and Multi-fold up to 6 panels one way

Grant Bi-fold 150 door hardware is available in three purchasing options

● -jamb pivot ○ -carrier

Option I

Complete package: includes track, hardware set, and all screws

Grant Bi-fold 150 2-dr 1-way set Hardware and track

Packing includes:

- 1 track 150E
- 1 hardware set Bi-fold 150



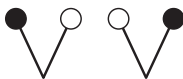
| Length | Order no. | PU |
|--------------|-----------|--------|
| 4' (1200 mm) | 113 524 4 | 5 sets |
| 5' (1500 mm) | 113 524 5 | 5 sets |
| 6' (1800 mm) | 113 524 6 | 5 sets |
| 8' (2400 mm) | 113 524 7 | 5 sets |

For longer track application order hardware set and track separately

Grant Bi-fold 150 4-dr 2-each way set Hardware and track

Packing includes:

- 1 track 150E
- 2 hardware set Bi-fold 150



| Length | Order no. | PU |
|--------------|-----------|--------|
| 4' (1200 mm) | 113 524 8 | 5 sets |
| 5' (1500 mm) | 113 524 9 | 5 sets |
| 6' (1800 mm) | 113 525 0 | 5 sets |
| 8' (2400 mm) | 113 525 1 | 5 sets |

For longer track application order hardware set and track separately

Option II

Track only

Single track 150E

Aluminum extruded, pre-drilled holes



| Length | Order no. | PU |
|---------------|-----------|------|
| 4' (1200 mm) | 113 443 1 | each |
| 5' (1500 mm) | 113 443 2 | each |
| 6' (1800 mm) | 113 443 3 | each |
| 8' (2400 mm) | 113 443 4 | each |
| 10' (3000 mm) | 113 443 5 | each |
| 12' (3600 mm) | 113 443 6 | each |
| 16' (4800 mm) | 113 443 7 | each |

Screws not included - recommend #10 Pan Head

Option III

Hardware set only (without track)

Grant Bi-fold 150 Hardware set 2-dr 1-way for two door installation, one way

Hardware set includes:

- 1 pivot plate assembly
- 1 carrier 150E with quick release top plate
- 1 plunger spring assembly
- 1 floor cam assembly
- necessary screws
- installation instructions

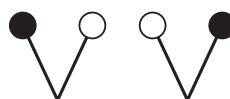


| Article | Order no. | PU |
|-------------------------|-----------|---------|
| Hardware set 2-dr 1-way | 113 516 7 | 10 sets |

Grant Bi-fold 150 Hardware set 4-dr 2-each way for four door installation, two door each way

Hardware set includes:

- 2 pivot plate assembly
- 2 carrier 150E with quick release top plate
- 2 plunger spring assembly
- 2 floor cam assembly
- necessary screws
- installation instructions



| Article | Order no. | PU |
|-------------------------|-----------|---------|
| Hardware set 4-dr 2-way | 113 525 2 | 10 sets |

Medium Duty Bi-fold Door Set

Grant Bi-fold 150

bi-fold up to 150 lbs/panel (68 kg/panel), multi-fold up to 75 lbs/panel (34 kg/panel)
for door thickness 1" (25.4 mm) to 1 3/4" (44.4 mm), top mount, adjustable

Grant Bi-fold 150 Multi-fold doors:

Up to 6 panels one way

Bi-fold applications up to 150 lbs/panel (68 kg/panel)

Multi-fold applications up to 75 lbs/panel (34 kg/panel)

For each additional set of panels over two add one (1) - Grant carrier 150E w/top plate and one (1) - Bi-fold hinge set

| No. of doors | Layout | Load Capacity per panel | Hardware sets less track | Item numbers to order |
|--------------|--------|-------------------------|------------------------------------------------------------------------------------------------------|----------------------------------------------------------------|
| 2 | | 150 lbs (68 kg) | 1 - set BF150 2-Dr 1-way | 1 - 113 516 7 |
| 4 | | 150 lbs (68 kg) | 1 - set BF150 4-Dr 2-way | 1 - 113 525 2 |
| 4 | | 75 lbs (34 kg) | 1 - set BF150 2-Dr 1-way 1 - carrier 150E w/ top plate 1 - extra bi-fold hinge set (not incl.) | 1 - 113 516 7 1 - 113 516 3 1 - extra bi-fold hinge sets |
| 6 | | 75 lbs (34 kg) | 1 - set BF150 2-Dr 1-way 2 - carrier 150E w/ top plate 2 - extra bi-fold hinge set (not incl.) | 1 - 113 516 7 2 - 113 516 3 2 - extra bi-fold hinge sets |
| 8 | | 75 lbs (34 kg) | 1 - set BF150 4-Dr 2-way 2 - carrier 150E w/ top plate 2 - extra bi-fold hinge set (not incl.) | 1 - 113 525 2 2 - 113 516 3 2 - extra bi-fold hinge sets |
| 8 | | 75 lbs (34 kg) | 1 - set BF150 4-Dr 2-way 2 - carrier 150E w/ top plate 2 - extra bi-fold hinge set (not incl.) | 1 - 113 525 2 2 - 113 516 3 2 - extra bi-fold hinge sets |

Grant Carrier 150E with top plate

four ball bearing wheels

steel, spring loaded

quick release top plate

screws included



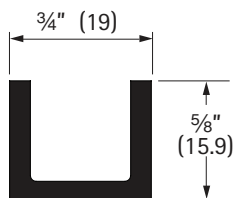
| Article | Order no. | PU |
|--------------------------|-----------|----|
| Carrier 150E w/top plate | 113 516 3 | 10 |

Accessory parts (not included in set)

NOTE: The Bi-fold 150 folding door system does not require the assistance of a bottom guide. If a bottom guide is desired the Guide channel 1222 and 1221 adjustable floor guide can be used. Installation measurements must be checked as some extreme adjustments may not work.

Guide channel 1222

Aluminum extruded



| Length | Order no. | PU |
|---------------|-----------|----|
| 4' (1200 mm) | 050 142 | 5 |
| 5' (1500 mm) | 050 143 | 5 |
| 6' (1800 mm) | 050 144 | 5 |
| 8' (2400 mm) | 050 145 | 5 |
| 10' (3000 mm) | 050 146 | 5 |
| 12' (3600 mm) | 050 147 | 5 |
| 16' (4800 mm) | 050 148 | 5 |

Screws not included - recommend #6 Flat Head

Guide roller 1221

Steel, adjustable

Screws included



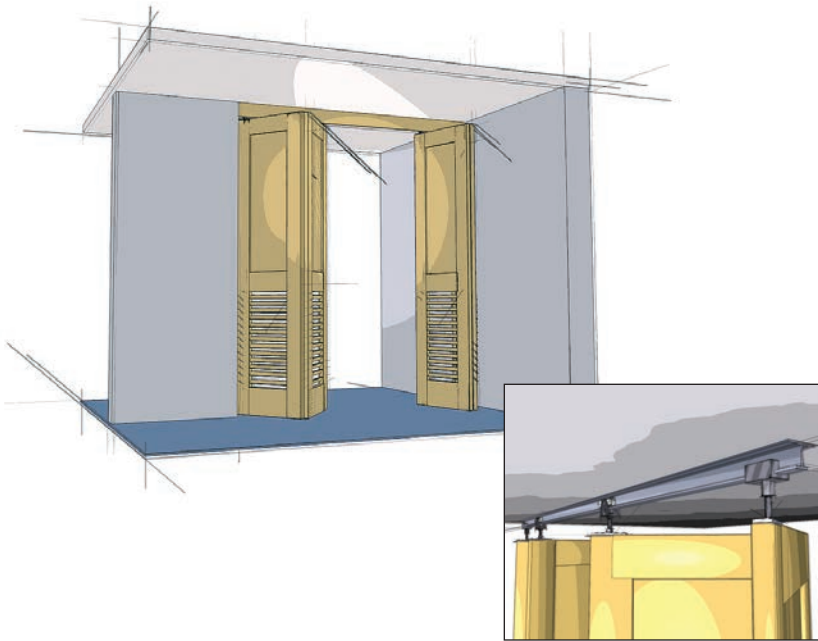
| Article | Order no. | PU |
|-------------------|-----------|----|
| Guide roller 1221 | 050 141 | 20 |

Heavy Duty Bi-Fold Door Set

Wing Line Grant 1260

up to 175 lbs/door (80 kg/door)

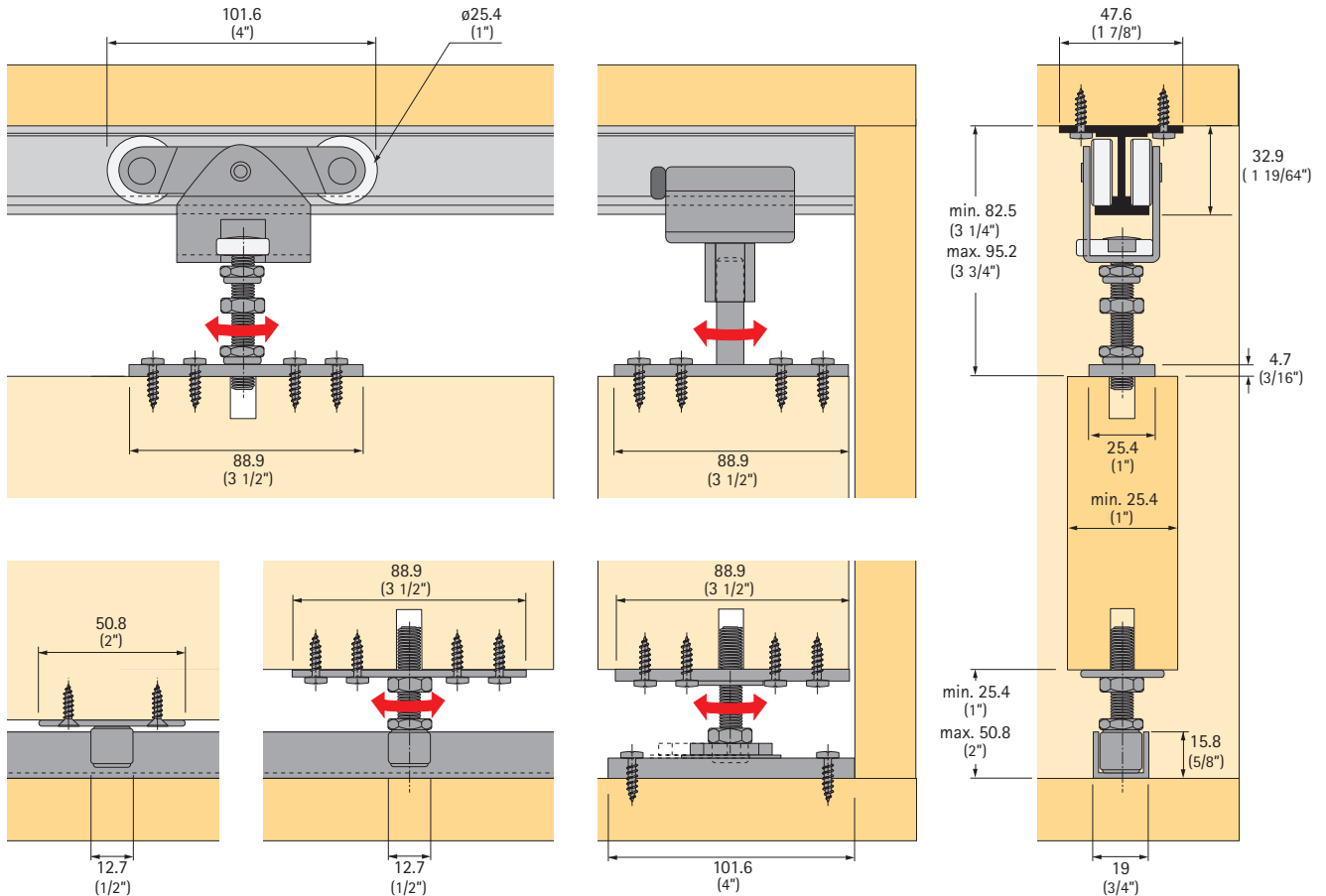
for door thickness 1" (25.4 mm) minimum, top mount, adjustable



Wing Line Grant 1260

A heavy duty, top hung folding door system. The Wing Line Grant 1260 system supports most heavy duty residential and commercial grade bi-fold applications.

- For door panels 1" [25.4 mm] minimum and up
- For doors weighing up to 175 lbs [80 kg] per panel
- 4 wheel carrier with precision ball bearing wheels for quiet, effortless operation.
- Aluminum track up to 16' [4800 mm]
- Pre-drilled track for easy installation
- One-way or bi-parting sets available
- Meets and/or exceeds ANSI/BHMA standards
- Made in USA



Specifications:

Mounting: Top
 Adjustment: ½" (12.7 mm) vertical
 Door thickness: 1" (25.4 mm) min.
 Headroom: 3¼" (82.5 mm) min., 3¾" (95.2 mm) max.
 Application: Bi-fold

Wing Line Grant 1260 door hardware is available in four purchasing options

Option I

Complete package includes: track, hardware set, and all screws

Wing Line Grant 1262 two-door (one way) set Hardware and track

Packing includes:

- 1 track 1201
- 1 hardware set 1260

| Length | Order no. | PU |
|--------------|-----------|---------|
| 4' (1200 mm) | 113 328 5 | 10 sets |
| 6' (1800 mm) | 113 328 6 | 10 sets |
| 8' (2400 mm) | 113 328 7 | 10 sets |

For longer track application order hardware set and track separately

Wing Line Grant 1264 four-door (two doors each way) set Hardware and track

Packing includes:

- 1 track 1201
- 2 hardware sets 1260

| Length | Order no. | PU |
|---------------|-----------|---------|
| 4' (1200 mm) | 113 328 8 | 10 sets |
| 5' (1500 mm) | 113 328 9 | 10 sets |
| 6' (1800 mm) | 113 329 0 | 10 sets |
| 8' (2400 mm) | 113 329 1 | 10 sets |
| 10' (3000 mm) | 113 329 2 | 10 sets |
| 12' (3600 mm) | 113 329 3 | 10 sets |
| 16' (4800 mm) | 113 329 4 | 10 sets |

For longer track application order hardware set and track separately

Option II

Track only

Single track 1201

Aluminum extruded, pre-drilled holes



| Length | Order no. | PU |
|---------------|-----------|----|
| 4' (1200 mm) | 050 121 | 5 |
| 5' (1500 mm) | 050 122 | 5 |
| 6' (1800 mm) | 050 123 | 5 |
| 8' (2400 mm) | 050 124 | 5 |
| 10' (3000 mm) | 050 125 | 5 |
| 12' (3600 mm) | 050 126 | 5 |
| 16' (4800 mm) | 050 127 | 5 |

Screws not included - recommend #12 Pan Head

Option III

Hardware set only (without track)

Wing Line Grant 1260 hardware sets

Hardware set 1260 for two door opening

Hardware set includes:

- 1 ball bearing carrier with pendant bolt and top plate 1205
- 1 floor pivot bolt assembly 1223
- 1 bottom pivot pin plate 1224
- 1 bottom pivot plate assembly 1234
- 1 top pivot clamp assembly 1255
- 1 top pivot post assembly 1269 screws



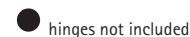
| Article | Order no. | PU |
|-------------------|-----------|-------|
| Hardware set 1260 | 113 328 4 | 1 set |

Hardware set 1225

Hardware kit to convert 1230 to folding door

Hardware set includes:

- 1 floor pivot bolt assy 1223
- 1 bottom pivot pin plate 1224
- 1 bottom pivot plate assy 1234
- 1 top pivot clamp assy 1255
- 1 top pivot plate assy 1269 screws
- installation instructions 1260



| Article | Order no. | PU |
|-------------------|-----------|-------|
| Hardware set 1225 | 050 151 | 1 set |

Option IV

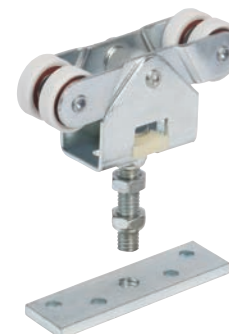
Separate components

Wing Line Grant 1260 components

Carrier 1205

Steel, four wheels with precision ball bearings, includes pendant bolt and top plate

Screws included



| Finish | Order no. | PU |
|-------------|-----------|----|
| zinc-plated | 113 327 1 | 10 |

Heavy Duty Bi-Fold Door Set

Wing Line Grant 1260

up to 175 lbs/door (80 kg/door)

for door thickness 1" (25.4 mm) minimum, top mount, adjustable

Top pivot clamp assembly 1255

Aluminum extruded
with rubber bumper



| Article | Order no. | PU |
|-------------------------------|-----------|----|
| Top pivot clamp assembly 1255 | 050 161 | 10 |

Top pivot post assembly 1269

Steel



| Finish | Order no. | PU |
|-------------|-----------|----|
| zinc-plated | 050 173 | 10 |

Bottom pivot pin plate 1224

Steel



| Finish | Order no. | PU |
|-------------|-----------|----|
| zinc-plated | 050 150 | 10 |

Floor pivot bolt assembly 1223

Steel



| Finish | Order no. | PU |
|-------------|-----------|----|
| zinc-plated | 050 149 | 10 |

Bottom pivot plate assembly 1234

Steel

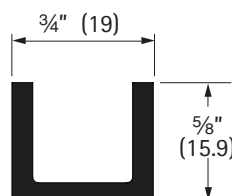


| Finish | Order no. | PU |
|-------------|-----------|----|
| zinc-plated | 050 160 | 10 |

Optional parts (not included in set)

Guide channel 1222

Aluminum extruded



| Length | Order no. | PU |
|---------------|-----------|----|
| 4' (1200 mm) | 050 142 | 5 |
| 5' (1500 mm) | 050 143 | 5 |
| 6' (1800 mm) | 050 144 | 5 |
| 8' (2400 mm) | 050 145 | 5 |
| 10' (3000 mm) | 050 146 | 5 |
| 12' (3600 mm) | 050 147 | 5 |
| 16' (4800 mm) | 050 148 | 5 |

Screws not included - recommend #6 Flat Head

Guide roller 1211

Steel, non adjustable

Screws included



| Article | Order no. | PU |
|-------------------|-----------|----|
| Guide roller 1211 | 050 138 | 20 |

Guide roller 1221

Steel, adjustable

Screws included



| Article | Order no. | PU |
|-------------------|-----------|----|
| Guide roller 1221 | 050 141 | 20 |

Light, Medium and Heavy Duty Sheaves and Tracks

up to 50 lbs, 125 lbs, 200 lbs (23 kg, 57 kg, 91 kg)

Sheave and sheave tracks are intended for underneath support of single, bi-parting and by-passing sliding doors.

Sheaves and sheave tracks require less headroom, eliminating top hung hardware, and are less conspicuous than overhead sliding door hardware. The no. 14, no. 18, and no. 20 series cover a wide range of applications.

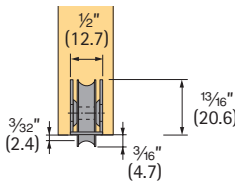
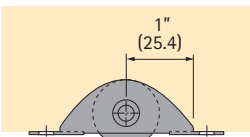
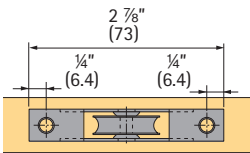
The no. 20 series is recommended for store fixtures, case goods, wardrobe, kitchen cabinets and similar light duty doors. The no. 20 series offers a choice of nylon or metal wheel with self-lubricating oilite bushings for durability, and is abrasion and heat resistant.

The no. 14 and no. 18 series are intended for medium and heavy duty residential and commercial installations. The no. 14 and no. 18 series have a self-lubricating nylon wheel for quiet and easy operation.

- Choice of wheel material
- Metal: long wearing, nick, abrasion and heat resistant
- Self-lubricating bronze oilite bushings on metal wheels; nylon is self lubricating.
- Accurate fitting of sheaves and tracks minimizes jumping.
- All sheaves and tracks are available in rust resistant materials.
- Simple installation to door and floor
- Made in USA

Sheave 20

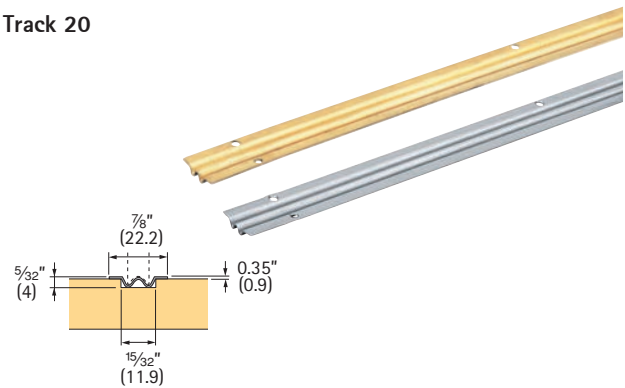
for 3/4" [19 mm] min. door thickness
for 50 lbs [23 kg] doors



| Finish | Order no. | PU |
|--------------------------------|-----------|----|
| Wheel - brass, housing - brass | 050 452 | 12 |
| Wheel - nylon, housing - brass | 050 453 | 12 |
| Wheel - nylon, housing - steel | 050 454 | 12 |
| Wheel - brass, housing - steel | 050 455 | 12 |

Screws included

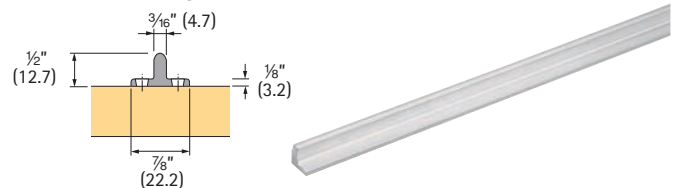
Track 20



| Article | Finish | Order no. | PU |
|---------------|-----------------|-----------|----|
| 6' (1800 mm) | brass | 050 433 | 5 |
| 8' (2400 mm) | brass | 050 434 | 5 |
| 10' (3000 mm) | brass | 050 435 | 5 |
| 12' (3600 mm) | brass | 050 436 | 5 |
| 10' (3000 mm) | stainless steel | 050 440 | 5 |
| 12' (3600 mm) | stainless steel | 050 441 | 5 |
| 6' (1800 mm) | aluminum | 050 443 | 5 |

Screws not included - recommend #2 Flat Head, pre-drilled holes

Continuous floor guide 2014



| Length | Order no. | PU |
|---------------|-----------|----|
| 6' (1800 mm) | 050 448 | 5 |
| 8' (2400 mm) | 050 449 | 5 |
| 10' (3000 mm) | 050 450 | 5 |
| 12' (3600 mm) | 050 451 | 5 |

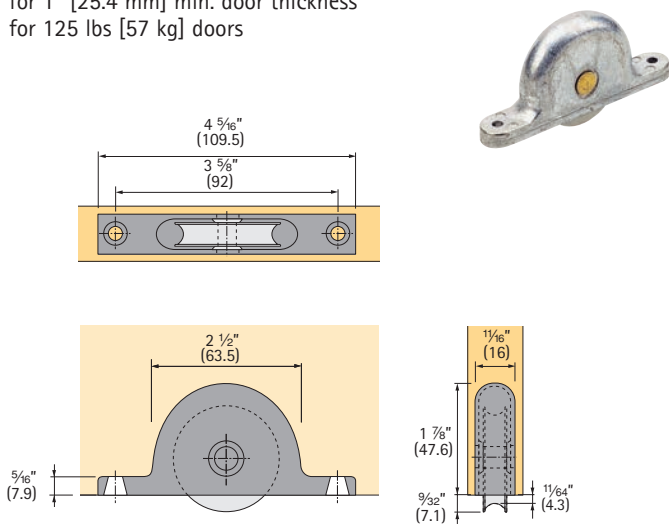
Screws not included - recommend #6 Flat Head, pre-drilled holes

Light, Medium and Heavy Duty Sheaves and Tracks

up to 50 lbs, 125 lbs, 200 lbs (23 kg, 57 kg, 91 kg)

Sheave 18

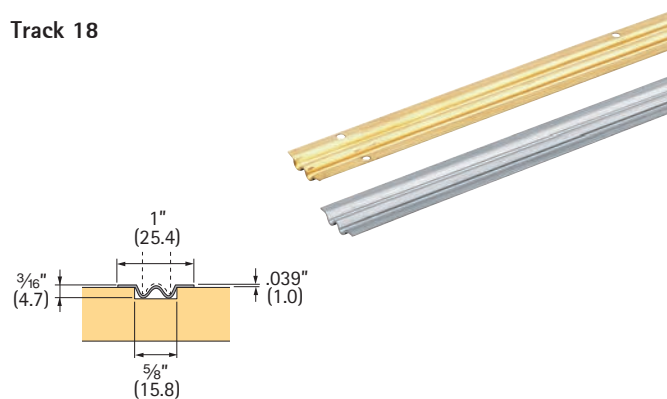
for 1" [25.4 mm] min. door thickness
for 125 lbs [57 kg] doors



| Article | Order no. | PU |
|--------------------------------|-----------|----|
| Wheel - nylon, housing - zamac | 113 552 5 | 12 |

Screws included

Track 18

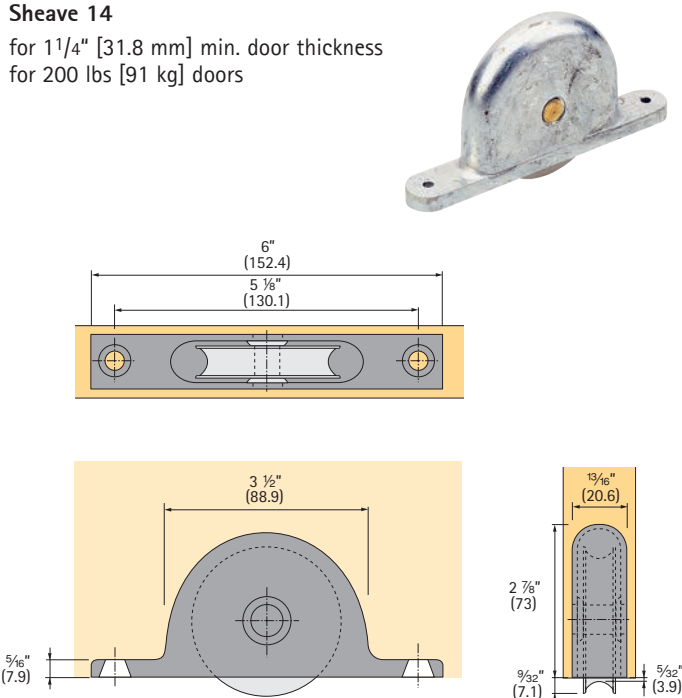


| Article | Finish | Order no. | PU |
|---------------|-----------------|-----------|----|
| 6' (1800 mm) | brass | 050 424 | 5 |
| 8' (2400 mm) | brass | 050 425 | 5 |
| 12' (3600 mm) | brass | 050 427 | 5 |
| 6' (1800 mm) | stainless steel | 050 428 | 5 |
| 8' (2400 mm) | stainless steel | 050 429 | 5 |
| 10' (3000 mm) | stainless steel | 050 430 | 5 |
| 12' (3600 mm) | stainless steel | 050 431 | 5 |

Screws not included - recommend #2 Flat Head, pre-drilled holes

Sheave 14

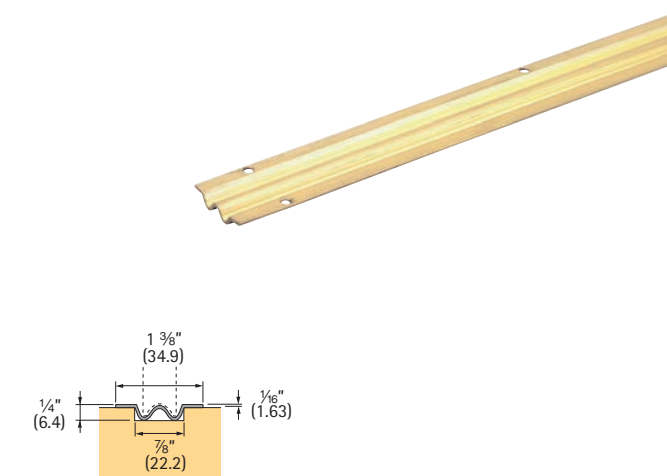
for 1 1/4" [31.8 mm] min. door thickness
for 200 lbs [91 kg] doors



| Article | Order no. | PU |
|--------------------------------|-----------|----|
| Wheel - nylon, housing - zamac | 113 552 6 | 12 |

Screws included

Track 14



| Length | Finish | Order no. | PU |
|---------------|--------|-----------|----|
| 6' (1800 mm) | bronze | 050 175 | 5 |
| 8' (2400 mm) | bronze | 050 176 | 5 |
| 10' (3000 mm) | bronze | 050 177 | 5 |
| 12' (3600 mm) | bronze | 050 178 | 5 |

Screws not included - recommend #4 Flat Head, pre-drilled holes

Floor Guides

Floor guide 110

Nylon, sold in pairs
Screws included



| Finish | Order no. | PU |
|--------|-----------|---------|
| N/A | 050 101 | 50 sets |

Floor guide 7015

Zinc diecast
Dimensions:
3" x 7/8" x 3/4" (76.2 x 22.2 x 19 mm)
Screws included



| Finish | Order no. | PU |
|--------------|-----------|----|
| Zinc diecast | 050 562 | 50 |

Continuous floor guide 2014

Aluminum
3/16" (4.7)
1/2" (12.7)
7/8" (22.2)
1/8" (3.2)

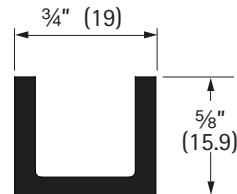


| Length | Order no. | PU |
|---------------|-----------|----|
| 6' (1800 mm) | 050 448 | 5 |
| 8' (2400 mm) | 050 449 | 5 |
| 10' (3000 mm) | 050 450 | 5 |
| 12' (3600 mm) | 050 451 | 5 |

Screws not included - recommend #6 Flat Head, pre-drilled holes

Guide channel 1222

Aluminum extruded



| Length | Order no. | PU |
|---------------|-----------|----|
| 4' (1200 mm) | 050 142 | 5 |
| 5' (1500 mm) | 050 143 | 5 |
| 6' (1800 mm) | 050 144 | 5 |
| 8' (2400 mm) | 050 145 | 5 |
| 10' (3000 mm) | 050 146 | 5 |
| 12' (3600 mm) | 050 147 | 5 |
| 16' (4800 mm) | 050 148 | 5 |

Guide roller 1211

Steel, non adjustable
Screws included



| Article | Order no. | PU |
|-------------------|-----------|----|
| Guide roller 1211 | 050 138 | 20 |

Guide roller 1221

Steel, adjustable
Screws included



| Article | Order no. | PU |
|-------------------|-----------|----|
| Guide roller 1221 | 050 141 | 20 |

Floor Guides

Floor guide 114

Nylon,
Adjustable for 3/4" to 1 3/8" doors
Screws included



| Finish | Order no. | PU |
|--------|-----------|----|
| N/A | 050 102 | 50 |

Floor guide 116

Steel, Nylon
Screws included



| Finish | Order no. | PU |
|-------------|-----------|----|
| zinc-plated | 050 103 | 50 |

Floor guide 117

Steel, Nylon
Screws included



| Finish | Order no. | PU |
|-------------|-----------|----|
| zinc-plated | 050 104 | 50 |

Floor guide 118

Steel, Nylon
Screws included



| Finish | Order no. | PU |
|-------------|-----------|----|
| zinc-plated | 050 105 | 50 |

Floor guide 119

Steel, Nylon
Screws included



| Finish | Order no. | PU |
|-------------|-----------|----|
| zinc-plated | 050 106 | 50 |

Parts and Accessories

6000 Series

Single track 6003

for single doors installations $\frac{3}{4}$ " (19 mm) thickness.
Mounting holes approx. 2" (50 mm) from each end
and on approx. 13" (330 mm) between centers.

Dimensions:
 $1\frac{1}{8}$ " w x $1\frac{5}{16}$ " h (28.6 x 23.8 mm)

Material:
extruded aluminum
pre-drilled holes



| Length | Order no. | PU |
|---------------|-----------|----|
| 6' (1800 mm) | 050 461 | 5 |
| 8' (2400 mm) | 050 462 | 5 |
| 12' (3600 mm) | 050 464 | 5 |

Screws not included - recommend #8 Pan Head

Double track 6004

for by passing doors $\frac{3}{4}$ " or $\frac{13}{8}$ " (19 or 35 mm) thick.
Mounting holes approx. 2" (50 mm) from each end
and on approx. 13" (330 mm) between centers.

Dimensions:
 $1\frac{3}{4}$ " w x $1\frac{5}{16}$ " h (44.4 x 23.8 mm)

Material:
extruded aluminum
pre-drilled holes



| Length | Order no. | PU |
|---------------|-----------|----|
| 4' (1200 mm) | 050 466 | 5 |
| 6' (1800 mm) | 050 468 | 5 |
| 8' (2400 mm) | 050 469 | 5 |
| 10' (3000 mm) | 050 470 | 5 |
| 12' (3600 mm) | 050 471 | 5 |
| 16' (4800 mm) | 050 472 | 5 |

Screws not included - recommend #8 Pan Head

Double track with fascia 6005

for by passing doors $\frac{3}{4}$ " (19 mm) thick.
Mounting holes approx. 2" (50 mm) from each end
and on approx. 13" (330 mm) between centers.

Dimensions:
 $1\frac{7}{8}$ " x $1\frac{1}{2}$ " fascia (47.6 x 38.1 mm)

Material:
extruded aluminum
anodized finish
pre-drilled holes



| Length | Order no. | PU |
|---------------|-----------|----|
| 8' (2400 mm) | 050 475 | 5 |
| 12' (3600 mm) | 050 477 | 5 |

Screws not included - recommend #8 Pan Head

Carrier 6320

Single wheel, adjustable,
side mount, $\frac{3}{16}$ " offset

Dimensions:
 $2\frac{13}{16}$ " x $2\frac{1}{4}$ " x $1\frac{13}{16}$ "
(71 x 57 x 46 mm)

Material:
apron - electro zinc plated cold rolled steel
wheel - ball bearing
stud - electro zinc plated cold rolled steel

Screws included



| Article | Order no. | PU |
|--------------|-----------|----|
| Carrier 6320 | 113 333 3 | 50 |

Carrier 6330

Single wheel, adjustable,
side mount, $\frac{1}{2}$ " offset

Dimensions:
 $2\frac{13}{16}$ " x $2\frac{1}{4}$ " x $1\frac{13}{16}$ "
(71 x 57 x 46 mm)

Material:
apron - electro zinc plated cold rolled steel
wheel - ball bearing
stud - electro zinc plated cold rolled steel

Screws included



| Article | Order no. | PU |
|--------------|-----------|----|
| Carrier 6330 | 113 333 4 | 50 |

Carrier 6350

Double wheel, adjustable,
side mount, $\frac{3}{16}$ " offset

Dimensions:
 $2\frac{13}{16}$ " x 3" x $\frac{3}{16}$ "
(71.4 x 76.2 x 4.8 mm)

Material:
mount, apron and arm -
electro zinc plated cold rolled steel
wheels - ball bearing
studs - electro zinc plated cold rolled steel

Screws included



| Article | Order no. | PU |
|--------------|-----------|----|
| Carrier 6350 | 113 333 6 | 50 |

Parts and Accessories

6000 Series

Carrier 6360

Double wheel, adjustable, side mount, 1/2" offset

Dimensions:
2¹³/₁₆" x 3" x 1/2"
(71.4 x 76.2 x 12 mm)

Material:
mount, apron and arm -
electro zinc plated cold rolled steel
wheels - ball bearing
studs - electro zinc plated cold rolled steel

Screws included



| Article | Order no. | PU |
|--------------|-----------|----|
| Carrier 6360 | 113 333 7 | 50 |

Floor guide 110

For single door installation.

Sold in pairs

Dimensions:
1³/₄" x 3/4" (44.5 x 19 mm)

Material: nylon

Screws included



| Article | Order no. | PU |
|-----------------|-----------|---------|
| Floor guide 110 | 050 101 | 50 sets |

Floor guide 114

For by-passing installation.
Adjustable for 3/4" to 1³/₈"
(19 to 35 mm) doors

Dimensions:
3" x 1¹/₈" (76.2 x 28.6 mm)

Material: nylon

Screws included



| Article | Order no. | PU |
|-----------------|-----------|----|
| Floor guide 114 | 050 102 | 50 |

Floor guide 116

For by-passing installation.
Non-adjustable for 3/4" (19 mm) doors

Dimensions:
2⁵/₈" x 2¹/₈" x 3/4" (66.7 x 54 x 19 mm)

Material: 16 ga. steel
with nylon covered steel uprights

Screws included



| Article | Order no. | PU |
|-----------------|-----------|----|
| Floor guide 116 | 050 103 | 50 |

Floor guide 7015

Surface mounted "T".

Dimensions:
3" x 7/8" x 3/4" (76.2 x 22.2 x 19 mm)

Material: zinc diecast

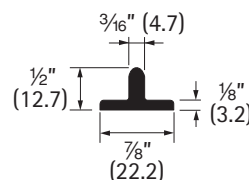
Screws included



| Article | Order no. | PU |
|------------------|-----------|----|
| Floor guide 7015 | 050 562 | 50 |

Continuous floor guide 2014

Aluminum, pre-drilled holes



| Length | Order no. | PU |
|---------------|-----------|----|
| 6' (1800 mm) | 050 448 | 5 |
| 8' (2400 mm) | 050 449 | 5 |
| 10' (3000 mm) | 050 450 | 5 |
| 12' (3600 mm) | 050 451 | 5 |

Screws not included - recommend #6 Flat Head

Angle stop 1018

For by-passing doors.

Attaches to rear of front door, assuring
accessibility of rear door flush pull. 2 stops
required per door.

Dimensions:
1¹/₈" x 1⁷/₃₂" x 3/4" (28.6 x 31 x 19 mm)

Material:
0.093" thick electro zinc plated cold rolled steel with rubber bumper

Screws included



| Article | Order no. | PU |
|-----------------|-----------|----|
| Angle stop 1018 | 050 120 | 5 |

Guide roller 1211

Used with no. 1222 guide channel. Attaches to bottom of door and runs within guide channel. Door mortising not required.

Dimensions:

plate - 2" x 3/4" x 3/32" (50 x 19 x 2 mm)
roller - 17/32" x 1/2" (13 x 12.7 mm) dia.

Material:

electro zinc plated cold rolled steel

Screws included



| Article | Order no. | PU |
|-------------------|-----------|----|
| Guide roller 1211 | 050 138 | 20 |

Guide roller 1221 (adjustable)

Used with recessed no. 1222 guide channel. Attached to bottom of lead doors and runs in guide channel.

Dimensions:

plate - 3/4" (width) x 3 1/2" x 3/32" (thick)
19 mm (width) x 88.9 mm x 2.4 (thick) mm

post - 2 1/2" x 5/16" (diameter)
63.5 mm x 7.9 mm (diameter)

guide roller - 13/32" (height) x 1/2" (diameter)
10.3 mm (height) x 12.7 mm (diameter)

Material:

plate and post - electro zinc plated cold rolled steel

Screws included



| Article | Order no. | PU |
|-------------------|-----------|----|
| Guide roller 1221 | 050 141 | 20 |

Continuous guide channel 1222

Used with no. 1211 or 1221 guide roller. Mortised into floor or surface mounted.

Dimensions:

3/4" w x 5/8" h (19 x 15.9 mm)

Material:

0.093" thick extruded aluminum



| Length | Order no. | PU |
|---------------|-----------|----|
| 4' (1200 mm) | 050 142 | 5 |
| 5' (1500 mm) | 050 143 | 5 |
| 6' (1800 mm) | 050 144 | 5 |
| 8' (2400 mm) | 050 145 | 5 |
| 10' (3000 mm) | 050 146 | 5 |
| 12' (3600 mm) | 050 147 | 5 |
| 16' (4800 mm) | 050 148 | 5 |

Screws not included - recommend #6 Flat Head

Single track 7001

Single I-beam track with wide top flange. For single and bi-parting installations or by-passing installations for doors greater than 1 3/4" (44.5 mm) thick.

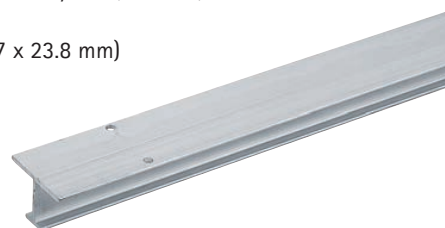
Mounting holes approx. every 11" (279 mm) on center.

Dimensions:

1 9/16" w x 15/16" (39.7 x 23.8 mm)

Material:

0.085" thick
extruded aluminum
pre-drilled holes



| Length | Order no. | PU |
|---------------|-----------|----|
| 4' (1200 mm) | 050 519 | 5 |
| 5' (1500 mm) | 050 520 | 5 |
| 6' (1800 mm) | 050 521 | 5 |
| 8' (2400 mm) | 050 522 | 5 |
| 10' (3000 mm) | 050 523 | 5 |
| 12' (3600 mm) | 050 524 | 5 |
| 16' (4800 mm) | 050 525 | 5 |

Screws not included - recommend #8 Pan Head

Double track 7002

Double I-beam track. For by-passing doors 3/4" (19 mm) or 1 1/8" (28.6 mm) thick.

Mounting holes approx. every 11" (279 mm) on center.

Dimensions:

1 3/32" x 15/16" (27.8 x 23.8 mm)

Material:

0.085" thick
extruded aluminum
pre-drilled holes



| Length | Order no. | PU |
|---------------|-----------|----|
| 4' (1200 mm) | 050 526 | 5 |
| 5' (1500 mm) | 050 527 | 5 |
| 6' (1800 mm) | 050 528 | 5 |
| 8' (2400 mm) | 050 529 | 5 |
| 10' (3000 mm) | 050 530 | 5 |
| 12' (3600 mm) | 050 531 | 5 |
| 16' (4800 mm) | 050 532 | 5 |

Screws not included - recommend #8 Pan Head

Parts and Accessories

7000 Series

Double track 7003

Double I-beam track. For by-passing doors $1\frac{3}{8}$ " (34.9 mm) or $1\frac{3}{4}$ " (44.4 mm) thick.

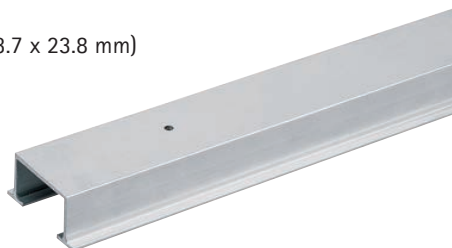
Mounting holes approx. every 11" (279 mm) on center.

Dimensions:

1 $\frac{23}{32}$ " w x $\frac{15}{16}$ " (43.7 x 23.8 mm)

Material:

0.085" thick
extruded aluminum
pre-drilled holes



| Length | Order no. | PU |
|---------------|-----------|----|
| 4' (1200 mm) | 050 533 | 5 |
| 5' (1500 mm) | 050 534 | 5 |
| 6' (1800 mm) | 050 535 | 5 |
| 8' (2400 mm) | 050 536 | 5 |
| 10' (3000 mm) | 050 537 | 5 |
| 12' (3600 mm) | 050 538 | 5 |
| 16' (4800 mm) | 050 539 | 5 |

Screws not included - recommend #8 Pan Head

Double track with fascia 7004

Double I-beam track with fascia. For by-passing doors $\frac{3}{4}$ " (19 mm) thick.

Mounting holes approx. every 11" (279 mm) on center.

Dimensions:

1 $\frac{23}{32}$ " w x $\frac{15}{16}$ " h x $2\frac{3}{8}$ " (fascia)
(43.7 x 23.8 x 60.3 mm)

Material:

0.085" thick
extruded aluminum
anodized finish
pre-drilled holes



| Length | Order no. | PU |
|---------------|-----------|----|
| 4' (1200 mm) | 050 540 | 5 |
| 5' (1500 mm) | 050 541 | 5 |
| 6' (1800 mm) | 050 542 | 5 |
| 8' (2400 mm) | 050 543 | 5 |
| 10' (3000 mm) | 050 544 | 5 |
| 12' (3600 mm) | 050 545 | 5 |
| 16' (4800 mm) | 050 546 | 5 |

Screws not included - recommend #8 Pan Head

Double track with fascia 7005

Double I-beam track with fascia. For by-passing doors $1\frac{3}{8}$ " (34.9 mm) thick.

Mounting holes approx. every 11" (279 mm) on center.

Dimensions:

2 $\frac{7}{16}$ " w x $\frac{15}{16}$ " h x $2\frac{3}{8}$ " (fascia)
(61.9 x 23.8 x 60.3 mm)

Material:

0.085" thick
extruded aluminum
anodized finish
pre-drilled holes



| Length | Order no. | PU |
|---------------|-----------|----|
| 5' (1500 mm) | 050 548 | 5 |
| 6' (1800 mm) | 050 549 | 5 |
| 8' (2400 mm) | 050 550 | 5 |
| 10' (3000 mm) | 050 551 | 5 |
| 12' (3600 mm) | 050 552 | 5 |
| 16' (4800 mm) | 050 553 | 5 |

Screws not included - recommend #8 Pan Head

Double track with fascia 7007

Double I-beam track with fascia. For by-passing doors $1\frac{3}{4}$ " (44.4 mm) thick.

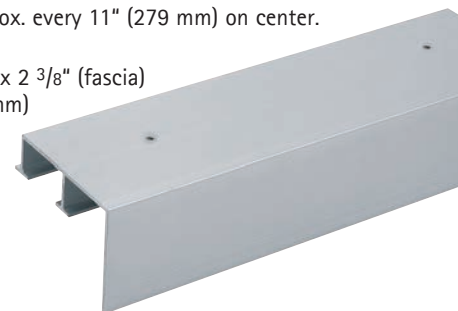
Mounting holes approx. every 11" (279 mm) on center.

Dimensions:

3 $\frac{11}{32}$ " w x $\frac{15}{16}$ " h x $2\frac{3}{8}$ " (fascia)
(84.9 x 23.8 x 60.3 mm)

Material:

0.085" thick
extruded aluminum
anodized finish
pre-drilled holes



| Length | Order no. | PU |
|---------------|-----------|----|
| 5' (1500 mm) | 050 555 | 5 |
| 6' (1800 mm) | 050 556 | 5 |
| 8' (2400 mm) | 050 557 | 5 |
| 10' (3000 mm) | 050 558 | 5 |
| 12' (3600 mm) | 050 559 | 5 |
| 16' (4800 mm) | 050 560 | 5 |

Screws not included - recommend #8 Pan Head

Parts and Accessories

7000 Series

Carrier 7000 nylon wheel (100 lbs)

For all installations.

Dimensions:
3" x 1³/₁₆" x 2⁷/₃₂"
(76.2 x 30.2 x 21.4 mm)

Material:
0.078" thick electro zinc plated cold rolled steel
with free rolling nylon wheels



| Article | Order no. | PU |
|--------------------|-----------|-----|
| Carrier 7000 nylon | 113 333 8 | 100 |

Carrier 7000 ball bearing (150 lbs)

with precision ball bearing wheels

Dimensions:
3" x 1³/₁₆" x 2⁷/₃₂"
(76.2 x 30.2 x 21.4 mm)

Material:
0.078" thick electro zinc plated cold rolled steel
with free rolling ball bearing wheels



| Article | Order no. | PU |
|---------------------------|-----------|-----|
| Carrier 7000 ball bearing | 113 333 9 | 100 |

Top plate 7111

Non-adjustable. Used in 71-111 hardware sets.

Dimensions:
2⁷/₃₂" high x 3³/₄" x 3¹/₂"
(21.4 x 19 x 88.9 mm)

Material:
0.093" thick electro zinc plated cold rolled steel

Screws included



| Article | Order no. | PU |
|----------------|-----------|----|
| Top plate 7111 | 050 564 | 50 |

Top plate 7222

Adjustable. Used in 71-222, 72-222
and 72-223 hardware sets.

Dimensions:
1³/₄" high x 3³/₄" x 3⁹/₁₆"
(44 x 19 x 90.5 mm)

Material:
0.093" (plate) thick electro zinc plated
cold rolled steel

Screws included



| Article | Order no. | PU |
|----------------|-----------|----|
| Top plate 7222 | 050 566 | 50 |

Apron 7034

Adjustable.

Used in 71-034, 72-034,
72-118 and 72-134 hardware sets.

Dimensions:
2⁵/₁₆" high x 1¹/₂" x 3³/₄" offset
(73.4 x 38.1 x 19 mm)

Material:
0.078" thick electro zinc plated cold rolled steel

Screws included



| Article | Order no. | PU |
|------------|-----------|-----|
| Apron 7034 | 050 563 | 100 |

Adjustable.

Used in 71-138, 72-138,
72-118 and 72-134 hardware sets.

Dimensions:
2⁵/₁₆" high x 1¹/₂" x 1¹/₈" offset
(73.4 x 38.1 x 28.6 mm)

Material:
0.078" thick electro zinc plated
cold rolled steel

Screws included



| Article | Order no. | PU |
|------------|-----------|-----|
| Apron 7138 | 050 565 | 100 |

Floor guide 110

For single door installation.

Dimensions:
1³/₄" x 3³/₄" (44.4 x 19 mm)

Material: nylon

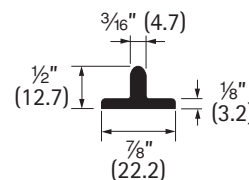
Screws included



| Article | Order no. | PU |
|-----------------|-----------|---------|
| Floor guide 110 | 050 101 | 50 pair |

Continuous floor guide 2014

Aluminum, pre-drilled holes



| Length | Order no. | PU |
|---------------|-----------|----|
| 6' (1800 mm) | 050 448 | 5 |
| 8' (2400 mm) | 050 449 | 5 |
| 10' (3000 mm) | 050 450 | 5 |
| 12' (3600 mm) | 050 451 | 5 |

Screws not included - recommend #6 Flat Head

Parts and Accessories

7000 Series

Guide roller 1211

Used with no. 1222 guide channel. Attaches to bottom of door and runs within guide channel. Door mortising not required.

Dimensions:

plate - 2" x 3/4" x 3/32" (50 x 19 x 2 mm)
roller - 17/32" x 1/2" (13 x 12.7 mm) dia.

Material:

electro zinc plated cold rolled steel

Screws included



| Article | Order no. | PU |
|-------------------|-----------|----|
| Guide roller 1211 | 050 138 | 20 |

Guide roller 1221 (adjustable)

Used with recessed no. 1222 guide channel. Attached to bottom of lead doors and runs in guide channel.

Dimensions:

plate - 3/4" (width) x 3 1/2" x 3/32" (thick)
19 mm (width) x 88.9 mm x 2.4 (thick) mm

post - 2 1/2" x 5/16" (diameter)

63.5 mm x 7.9 mm (diameter)

guide roller - 13/32" (height) x 1/2" (diameter)

10.3 mm (height) x 12.7 mm (diameter)

Material: electro zinc plated cold rolled steel

Screws included



| Article | Order no. | PU |
|-------------------|-----------|----|
| Guide roller 1221 | 050 141 | 20 |

Continuous guide channel 1222

Used with no. 1211 guide roller.

Mortised into floor or surface mounted.

Dimensions:

3/4" x 5/8" (19 x 15.9 mm)

Material:

0.093 thick extruded aluminum



| Length | Order no. | PU |
|---------------|-----------|----|
| 4' (1200 mm) | 050 142 | 5 |
| 5' (1500 mm) | 050 143 | 5 |
| 6' (1800 mm) | 050 144 | 5 |
| 8' (2400 mm) | 050 145 | 5 |
| 10' (3000 mm) | 050 146 | 5 |
| 12' (3600 mm) | 050 147 | 5 |
| 16' (4800 mm) | 050 148 | 5 |

Screws not included - recommend #6 Flat Head

Angle stop 1018

For by-passing doors. Attaches to rear of front door, assuring accessibility of rear door flush pull.

Dimensions:

1 1/8" x 1 7/32" x 3/4" (28.6 x 31 x 19 mm)

Material:

0.093 thick electro zinc plated cold rolled steel with rubber bumper

Screws included



| Article | Order no. | PU |
|-----------------|-----------|----|
| Angle stop 1018 | 050 120 | 5 |

Bumper stop 7014

Track mounted.

For any sliding door application where a stop is desired.

Dimensions:

7/8" x 1 3/16" x 1 19/32" (22.2 x 30.2 x 40.5 mm)

Material:

angle - electro zinc plated cold rolled steel

housing - aluminium, bumper - rubber

Screws included



| Article | Order no. | PU |
|------------------|-----------|----|
| Bumper stop 7014 | 050 561 | 20 |

7000 Hardware Set Screwpack

Versatile pack of screws that will work with all 7000 Single Door Hardware sets. Includes screws for top and side mount options. For By-passing doors use two Screwpacks.

32 Screws in a polybag:

- 16 pcs, #8 x 1 1/4" Panhead screws
- 8 pcs, #8 x 3/4" Flathead screws
- 8 pcs, #8 x 1 1/4" Flathead screws

| Article | Order no. | PU |
|-------------------------|-----------|----|
| 7000 Screwpack Hrdw Set | 113 433 6 | 10 |

7000 Track Screwpack

Versatile pack of screws that will work with all 7000 Tracks up to a 16' (4800 mm) length.

34 Screws in a polybag:

- 34 pcs, #8 x 1 1/4" Flathead screw

| Article | Order no. | PU |
|----------------------|-----------|----|
| 7000 Screwpack Track | 113 433 7 | 10 |

7000 Wrench Bulk Pack

Bulk pack of wrenches for the 7000 series.

10 bulk wrenches in a polybag, zinc plated

| Article | Order no. | PU |
|--------------------|-----------|----|
| 7000 Wrenches Bulk | 113 433 8 | 10 |

Parts and Accessories 1200 Sliding Series

Single track 1201

Aluminum extruded, pre-drilled holes



| Length | Order no. | PU |
|---------------|-----------|----|
| 4' (1200 mm) | 050 121 | 5 |
| 5' (1500 mm) | 050 122 | 5 |
| 6' (1800 mm) | 050 123 | 5 |
| 8' (2400 mm) | 050 124 | 5 |
| 10' (3000 mm) | 050 125 | 5 |
| 12' (3600 mm) | 050 126 | 5 |
| 16' (4800 mm) | 050 127 | 5 |

Screws not included - recommend #12 Pan Head

Top Line Grant 1210 components

Carrier 1202

Steel, two wheels, precision bearings, with pendant and top plate

Screws included



| Finish | Order no. | PU |
|-------------|-----------|----|
| zinc-plated | 113 327 0 | 20 |

Top Line Grant 1230 components

Carrier 1205

Steel, four wheels, precision bearings, with pendant bolt and top plate

Screws included



| Finish | Order no. | PU |
|-------------|-----------|----|
| zinc-plated | 113 327 1 | 10 |

Bumper stop 1212

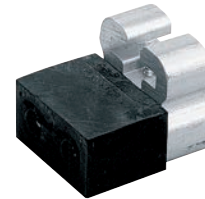
Aluminum, with rubber bumper



| Article | Order no. | PU |
|-------------|-----------|----|
| Bumber stop | 050 139 | 1 |

Bumper stop 1213

Aluminum, with rubber bumper



| Article | Order no. | PU |
|-------------|-----------|----|
| Bumber stop | 050 140 | 1 |

Floor guide 7015

Zinc diecast

Dimensions:

3" x 7/8" x 3/4" (76.2 x 22.2 x 19 mm)

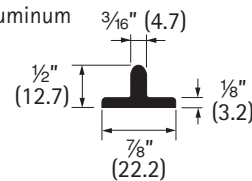
Screws included



| Finish | Order no. | PU |
|--------|-----------|----|
| N/A | 050 562 | 50 |

Continuous floor guide 2014

Aluminum



| Length | Order no. | PU |
|---------------|-----------|----|
| 6' (1800 mm) | 050 448 | 5 |
| 8' (2400 mm) | 050 449 | 5 |
| 10' (3000 mm) | 050 450 | 5 |
| 12' (3600 mm) | 050 451 | 5 |

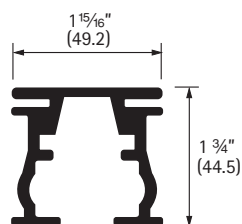
Screws not included - recommend #6 Flat Head, pre-drilled holes

Parts and Accessories

150 Box Track Sliding Series

Single track 150

Aluminum, pre-drilled holes, mill or anodized finish



| Length | Mill finish | Anodized finish | PU |
|---------------|-------------|-----------------|----|
| 4' (1200 mm) | 113 425 8 | 113 421 1 | 5 |
| 5' (1500 mm) | 113 425 9 | 113 421 2 | 5 |
| 6' (1800 mm) | 113 426 0 | 113 413 3 | 5 |
| 8' (2400 mm) | 113 426 1 | 113 413 4 | 5 |
| 10' (3000 mm) | 113 426 2 | 113 413 5 | 5 |
| 12' (3600 mm) | 113 426 3 | 113 413 6 | 5 |
| 16' (4800 mm) | 113 426 4 | 113 413 7 | 5 |

Screws not included - recommend #8 panhead

Top Line Grant 150 components

Carrier 150 with quick release top plate

Four precision ball bearing wheels, self-leveling, adjustable

Screws included



| Article | Order no. | PU |
|-------------|-----------|----|
| Carrier 150 | 113 424 6 | 10 |

Endstop Catch 150/325

Steel, easy to insert into track, simply turn sideways, insert into track, and turn to lock into place, adjustable, holds system in position, works with 150 and 325 series



| Finish | Order no. | PU |
|-------------|-----------|----|
| Zinc plated | 113 424 5 | 10 |

Floor guide 7015

Zinc diecast

Dimensions:

3" x 7/8" x 3/4" (76.2 x 22.2 x 19 mm)

Screws included



| Article | Order no. | PU |
|------------------|-----------|----|
| Floor guide 7015 | 050 562 | 50 |

Track Fascia, 150 & 325

ABS material, Light gray color

Paintable, special colors can be ordered

Friction fit securely holds fascia in track

Easily adjusts for doors 1" to 1 3/4"



| Length | Order no. | PU |
|---------------|-----------|----|
| 4' (1200 mm) | 113 430 7 | 1 |
| 5' (1500 mm) | 113 430 8 | 1 |
| 6' (1800 mm) | 113 430 9 | 1 |
| 8' (2400 mm) | 113 431 0 | 1 |
| 10' (3000 mm) | 113 431 1 | 1 |
| 12' (3600 mm) | 113 431 2 | 1 |
| 16' (4800 mm) | 113 431 3 | 1 |

Easy to install fascia, no screws required

Wall Mount Bracket, 150 & 325

Aluminum, Anodized finish

Set screw locks track in place

Uses 1/8" [3.2 mm] allen wrench

16" (406.4 mm) spacing recommended

Screws included



| Article | Order no. | PU |
|------------------------------|-----------|----|
| Wall mount bracket, anodized | 113 442 3 | 25 |

Wall Mount Fascia, 150 & 325

ABS material, Light gray color

Paintable, special colors can be ordered

Friction fit securely holds fascia in place

Easily adjusts for doors 1" to 1 3/4"



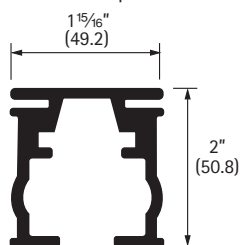
| Length | Order no. | PU |
|---------------|-----------|----|
| 4' (1200 mm) | 113 431 4 | 1 |
| 5' (1500 mm) | 113 431 5 | 1 |
| 6' (1800 mm) | 113 431 6 | 1 |
| 8' (2400 mm) | 113 431 7 | 1 |
| 10' (3000 mm) | 113 431 8 | 1 |
| 12' (3600 mm) | 113 431 9 | 1 |
| 16' (4800 mm) | 113 432 0 | 1 |

Parts and Accessories

325 Box Track Sliding Series

Single track 325

Aluminum, pre-drilled holes, mill or anodized finish



| Length | Mill finish | Anodized finish | PU |
|---------------|-------------|-----------------|----|
| 4' (1200 mm) | 113 427 6 | 113 421 3 | 5 |
| 5' (1500 mm) | 113 427 7 | 113 421 4 | 5 |
| 6' (1800 mm) | 113 427 8 | 113 413 8 | 5 |
| 8' (2400 mm) | 113 427 9 | 113 413 9 | 5 |
| 10' (3000 mm) | 113 428 0 | 113 414 0 | 5 |
| 12' (3600 mm) | 113 428 1 | 113 414 1 | 5 |
| 16' (4800 mm) | 113 428 2 | 113 414 2 | 5 |

Screws not included - recommend # 12 panhead

Top Line Grant 325 components

Carrier 325 with quick release top plate

Four precision ball bearing wheels, self-leveling, adjustable

Screws included



| Article | Order no. | PU |
|-------------|-----------|----|
| Carrier 325 | 113 424 7 | 10 |

Endstop Catch 150/325

Steel, easy to install into track, simply turn sideways, insert into track, and turn to lock into place, adjustable, holds system in position, works with 150 and 325 series



| Finish | Order no. | PU |
|-------------|-----------|----|
| Zinc plated | 113 424 5 | 10 |

Floor guide 7015

Zinc diecast

Dimensions:

3" x 7/8" x 3/4" (76.2 x 22.2 x 19 mm)

Screws included



| Article | Order no. | PU |
|------------------|-----------|----|
| Floor guide 7015 | 050 562 | 50 |

Track Fascia, 150 & 325

ABS material, Aluminum color

Paintable, special colors can be ordered

Friction fit securely holds fascia in track

Easily adjusts for doors 1" to 1 3/4"



| Length | Order no. | PU |
|---------------|-----------|----|
| 4' (1200 mm) | 113 430 7 | 1 |
| 5' (1500 mm) | 113 430 8 | 1 |
| 6' (1800 mm) | 113 430 9 | 1 |
| 8' (2400 mm) | 113 431 0 | 1 |
| 10' (3000 mm) | 113 431 1 | 1 |
| 12' (3600 mm) | 113 431 2 | 1 |
| 16' (4800 mm) | 113 431 3 | 1 |

Easy to install fascia, no screws required

Wall Mount Bracket, 150 & 325

Aluminum, Anodized finish

Set screw locks track in place

Uses 1/8" [3.2 mm] allen wrench

Screws included



| Article | Order no. | PU |
|------------------------------|-----------|----|
| Wall mount bracket, anodized | 113 442 3 | 25 |

Wall Mount Fascia, 150 & 325

ABS material, Aluminum color

Paintable, special colors can be ordered

Friction fit securely holds fascia in place

Easily adjusts for doors 1" to 1 3/4"



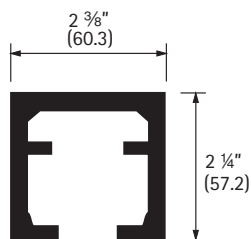
| Length | Order no. | PU |
|---------------|-----------|----|
| 4' (1200 mm) | 113 431 4 | 1 |
| 5' (1500 mm) | 113 431 5 | 1 |
| 6' (1800 mm) | 113 431 6 | 1 |
| 8' (2400 mm) | 113 431 7 | 1 |
| 10' (3000 mm) | 113 431 8 | 1 |
| 12' (3600 mm) | 113 431 9 | 1 |
| 16' (4800 mm) | 113 432 0 | 1 |

Parts and Accessories

500 Box Track Sliding Series

Single track 500 Series

Aluminum extruded, Anodized finish
Pre-drilled holes



| Length | Order no. | PU |
|---------------|-----------|----|
| 6' (1800 mm) | 113 403 9 | 1 |
| 8' (2400 mm) | 113 404 0 | 1 |
| 10' (3000 mm) | 113 404 1 | 1 |
| 12' (3600 mm) | 113 404 2 | 1 |
| 16' (4800 mm) | 113 404 3 | 1 |

Each track length packed in a heavy duty tube with necessary screws
Track lengths over 16' are available on request

Carrier 500 with quick release top plate

Steel, four precision bearing wheels,
with adjustable pendant bolt and top plate
with quick release feature, self-leveling.
Carrier must be used with Endstop catch.



| Article | Order no. | PU |
|-------------------------|-----------|----|
| Carrier 500 w/top plate | 113 537 2 | 10 |

Endstop Catch 500 Series

Aluminum endstop with
spring catch



| Article | Order no. | PU |
|---------------|-----------|----|
| Endstop Catch | 113 407 6 | 10 |

Floor guide 7015

Zinc diecast
Dimensions:
3" x 7/8" x 3/4" (76.2 x 22.2 x 19 mm)

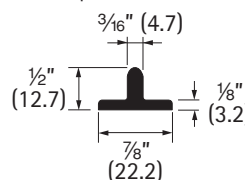
Screws included



| Article | Order no. | PU |
|------------------|-----------|----|
| Floor guide 7015 | 050 562 | 50 |

Continuous floor guide 2014

Aluminum, pre-drilled holes



| Length | Order no. | PU |
|---------------|-----------|----|
| 6' (1800 mm) | 050 448 | 5 |
| 8' (2400 mm) | 050 449 | 5 |
| 10' (3000 mm) | 050 450 | 5 |
| 12' (3600 mm) | 050 451 | 5 |

Screws not included - recommend #6 Flat Head

Parts and Accessories

1200 Folding Series

Single track 1201

Single I-beam type for folding doors, 2 door one way or 4 door bi-parting.
 Dimensions: 17/8" (wide) x 1¹⁹/₆₄" (height)
 Material: 0.125" extruded aluminum



| Length | Order no. | PU |
|---------------|-----------|----|
| 4' (1200 mm) | 050 121 | 5 |
| 5' (1500 mm) | 050 122 | 5 |
| 6' (1800 mm) | 050 123 | 5 |
| 8' (2400 mm) | 050 124 | 5 |
| 10' (3000 mm) | 050 125 | 5 |
| 12' (3600 mm) | 050 126 | 5 |
| 16' (4800 mm) | 050 127 | 5 |

Screws not included - recommend #12 Pan Head, pre-drilled holes

Carrier set 1205

for all 1260 installations.

Dimensions:
 carrier housing 1¹³/₁₄" (height) x 2" x 1¹/₈"
 pendant bolt 2⁵/₁₆" (length) x 3/8" (diameter)
 top plate 1" (width) x 3¹/₂" x 3/16" (thick)

Material:
 carrier housing, pendant bolt, top plate -
 electro zinc plated cold rolled steel
 rollers - four, precision ball bearings,
 with nylon outer race

Screws included



| Article | Order no. | PU |
|--------------|-----------|----|
| Carrier 1205 | 113 327 1 | 10 |

Top pivot clamp assembly 1255

Clamped to track close to jamb.

Dimensions:
 1³/₈" (width) x 1¹⁵/₁₆" (over bumpers)
 x 2" (over bushings)

Material:
 clamp - extruded aluminum, bushing - brass, bumper - rubber



| Article | Order no. | PU |
|-------------------------------|-----------|----|
| Top pivot clamp assembly 1255 | 050 161 | 10 |

Top pivot post assembly 1269

Mount to top of door (jamb side).
 Inserts into no. 1255 top pivot clamp bushing.

Dimensions:
 1" (width) x 3¹/₂" x 1⁷/₁₆"
 bushing - 1⁷/₃₂" (height)
 (over 3/8" diameter pin)

Material: electro zinc plated cold rolled steel



| Article | Order no. | PU |
|-------------------------------|-----------|----|
| Top pivot clamp assembly 1269 | 050 173 | 10 |

Bottom pivot pin plate 1224

Attaches to bottom of door next to jamb and receives no. 1223 floor pivot bolt assembly.

Dimensions:
 plate - 1" (width) x 3¹/₂" x 3/14"
 bushing - 1⁷/₃₂" (height)

Material:
 electro zinc plated cold rolled steel



| Article | Order no. | PU |
|-----------------------------|-----------|----|
| Bottom pivot pin plate 1224 | 050 150 | 10 |

Floor pivot bolt assembly 1223

Screws into bottom pivot pin plate.

Dimensions:
 3/8" (diameter) x 2⁵/₁₆"

Material:
 electro zinc plated cold rolled steel



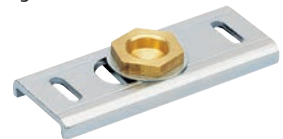
| Article | Order no. | PU |
|-------------------------------|-----------|----|
| Continuous guide channel 1223 | 050 149 | 10 |

Bottom pivot plate assembly 1234

Floor pivot bolt head mounted to the bottom of the door (jamb side). No. 1223 engages the bushing in the bottom pivot plate assembly.

Dimensions:
 1¹/₂" (width) x 4" x 1/2"
 (height over bushing)

Material:
 plate - electro zinc plated cold rolled steel
 bushing - brass



| Article | Order no. | PU |
|----------------------------------|-----------|----|
| Bottom pivot plate assembly 1234 | 050 160 | 10 |

Guide roller 1211

Used with no. 1222 guide channel. Attaches to bottom of door and runs within guide channel. Door mortising not required.

Dimensions:

plate - 2" x 3/4" x 3/32" (50 x 19 x 2 mm)

roller - 17/32" x 1/2" (13 x 12.7 mm) dia.

Material:

electro zinc plated cold rolled steel

Screws included



| Article | Order no. | PU |
|-------------------|-----------|----|
| Guide roller 1211 | 050 138 | 20 |

Guide roller 1221 (adjustable)

Used with recessed no. 1222 guide channel. Attached to bottom of lead doors and runs in guide channel.

Dimensions:

plate - 3/4" (width) x 3 1/2" x 3/32" (thick)

19 mm (width) x 88.9 mm x 2.4 (thick) mm

post - 2 1/2" x 5/16" (diameter)

63.5 mm x 7.9 mm (diameter)

guide roller - 13/32" (height) x 1/2" (diameter)

10.3 mm (height) x 12.7 mm (diameter)

Material:

electro zinc plated cold rolled steel

Screws included



| Article | Order no. | PU |
|-------------------|-----------|----|
| Guide roller 1221 | 050 141 | 20 |

Continuous guide channel 1222

Used with no. 1211 guide roller.

Mortised into floor or surface mounted.

Dimensions:

5/8" x 3/4" (16 x 19 mm)

Material:

0.093 thick extruded aluminum

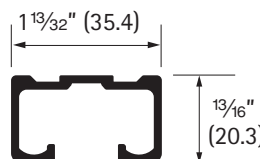


| Length | Order no. | PU |
|---------------|-----------|----|
| 4' (1200 mm) | 050 142 | 5 |
| 5' (1500 mm) | 050 143 | 5 |
| 6' (1800 mm) | 050 144 | 5 |
| 8' (2400 mm) | 050 145 | 5 |
| 10' (3000 mm) | 050 146 | 5 |
| 12' (3600 mm) | 050 147 | 5 |
| 16' (4800 mm) | 050 148 | 5 |

Screws not included - recommend #6 Flat Head

Single track 50E

Aluminum extruded, pre-drilled holes



| Length | Order no. | PU |
|---------------|-----------|------|
| 3' (900 mm) | 113 440 6 | each |
| 4' (1200 mm) | 113 439 9 | each |
| 5' (1500 mm) | 113 440 0 | each |
| 6' (1800 mm) | 113 440 1 | each |
| 8' (2400 mm) | 113 440 2 | each |
| 10' (3000 mm) | 113 440 3 | each |
| 12' (3600 mm) | 113 440 4 | each |
| 16' (4800 mm) | 113 440 5 | each |

Screws not included - recommend #10 Flat Head

BF25/BF50 Pivot plate assembly

Sold in BF25/BF50 Hardware sets only.

Available separately as replacement part.



| Article | Order no. | PU |
|----------------------|-----------|----|
| Pivot Plate Assembly | 113 432 5 | 1 |

BF25/BF50 Plunger spring assembly

Sold in BF25/BF50 Hardware sets only.

Available separately as replacement part.



| Article | Order no. | PU |
|-------------------------|-----------|----|
| Plunger spring assembly | 113 432 4 | 1 |

BF25/BF50 Floor cam assembly

Sold in BF25/BF50 Hardware sets only.

Available separately as replacement part.



| Article | Order no. | PU |
|--------------------|-----------|----|
| Floor cam assembly | 113 432 3 | 1 |

Bi-fold Hinge Set

Contains: Three (3) 2646 Hinges Screws included
Steel, zinc plated, mortised



| Article | Order no. | PU |
|-------------------|-----------|----|
| Bi-fold Hinge Set | 113 440 7 | 10 |

Guide roller 1221 (adjustable)

Used with recessed no. 1222 guide channel.
Attached to bottom of lead doors
and runs in guide channel.

Dimensions:
plate - 3/4" (width) x 3 1/2" x 3/32" (thick)
19 mm (width) x 88.9 mm x 2.4 (thick) mm
post - 2 1/2" x 5/16" (diameter)
63.5 mm x 7.9 mm (diameter)
guide roller - 13/32" (height) x 1/2" (diameter)
10.3 mm (height) x 12.7 mm (diameter)

Material:
electro zinc plated cold rolled steel
Screws included



| Article | Order no. | PU |
|-------------------|-----------|----|
| Guide roller 1221 | 050 141 | 20 |

Continuous guide channel 1222

Used with no. 1211 guide roller.
Mortised into floor or surface mounted.

Dimensions:
5/8" x 3/4" (16 x 19 mm)

Material:
0.093 thick extruded aluminum

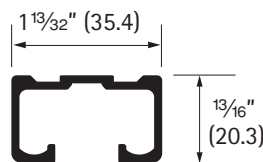


| Length | Order no. | PU |
|---------------|-----------|----|
| 4' (1200 mm) | 050 142 | 5 |
| 5' (1500 mm) | 050 143 | 5 |
| 6' (1800 mm) | 050 144 | 5 |
| 8' (2400 mm) | 050 145 | 5 |
| 10' (3000 mm) | 050 146 | 5 |
| 12' (3600 mm) | 050 147 | 5 |
| 16' (4800 mm) | 050 148 | 5 |

Screws not included - recommend #6 Flat Head

Single track 50E

Aluminum extruded, pre-drilled holes



| Length | Order no. | PU |
|---------------|-----------|------|
| 3' (900 mm) | 113 440 6 | each |
| 4' (1200 mm) | 113 439 9 | each |
| 5' (1500 mm) | 113 440 0 | each |
| 6' (1800 mm) | 113 440 1 | each |
| 8' (2400 mm) | 113 440 2 | each |
| 10' (3000 mm) | 113 440 3 | each |
| 12' (3600 mm) | 113 440 4 | each |
| 16' (4800 mm) | 113 440 5 | each |

Screws not included - recommend #10 Flat Head

BF25/BF50 Pivot plate assembly

Sold in BF25/BF50 Hardware sets only.
Available separately as replacement part.



| Article | Order no. | PU |
|----------------------|-----------|----|
| Pivot Plate Assembly | 113 432 5 | 1 |

BF25/BF50 Plunger spring assembly

Sold in BF25/BF50 Hardware sets only.
Available separately as replacement part.



| Article | Order no. | PU |
|-------------------------|-----------|----|
| Plunger spring assembly | 113 432 4 | 1 |

Grant Carrier 50E with top plate

four ball bearing wheels
quick release top plate
screws included



| Article | Order no. | PU |
|-------------------------|-----------|----|
| Carrier 50E w/top plate | 113 432 2 | 10 |

Bi-fold Hinge Set

Contains: Three (3) 2646 Hinges Screws included
 Steel, zinc plated, mortised



| Article | Order no. | PU |
|-------------------|-----------|----|
| Bi-fold Hinge Set | 113 440 7 | 10 |

BF25/BF50 Floor cam assembly

Sold in BF25/BF50 Hardware sets only.
 Available separately as replacement part.



| Article | Order no. | PU |
|--------------------|-----------|----|
| Floor cam assembly | 113 432 4 | 1 |

Guide roller 1221 (adjustable)

Used with recessed no. 1222 guide channel.
 Attached to bottom of lead doors
 and runs in guide channel.



Dimensions:
 plate - 3/4" (width) x 3 1/2" x 3/32" (thick)
 19 mm (width) x 88.9 mm x 2.4 (thick) mm
 post - 2 1/2" x 5/16" (diameter)
 63.5 mm x 7.9 mm (diameter)
 guide roller - 13/32" (height) x 1/2" (diameter)
 10.3 mm (height) x 12.7 mm (diameter)

Material:
 electro zinc plated cold rolled steel
 Screws included

| Article | Order no. | PU |
|-------------------|-----------|----|
| Guide roller 1221 | 050 141 | 20 |

Continuous guide channel 1222

Used with no. 1211 guide roller.
 Mortised into floor or surface mounted.



Dimensions:
 5/8" x 3/4" (16 x 19 mm)

Material:
 0.093 thick extruded aluminum

| Length | Order no. | PU |
|---------------|-----------|----|
| 4' (1200 mm) | 050 142 | 5 |
| 5' (1500 mm) | 050 143 | 5 |
| 6' (1800 mm) | 050 144 | 5 |
| 8' (2400 mm) | 050 145 | 5 |
| 10' (3000 mm) | 050 146 | 5 |
| 12' (3600 mm) | 050 147 | 5 |
| 16' (4800 mm) | 050 148 | 5 |

Screws not included - recommend #6 Flat Head

Parts and Accessories

BF150 Folding Series

Single track 150E

Aluminum extruded, pre-drilled holes



| Length | Order no. | PU |
|---------------|-----------|------|
| 4' (1200 mm) | 113 443 1 | each |
| 5' (1500 mm) | 113 443 2 | each |
| 6' (1800 mm) | 113 443 3 | each |
| 8' (2400 mm) | 113 443 4 | each |
| 10' (3000 mm) | 113 443 5 | each |
| 12' (3600 mm) | 113 443 6 | each |
| 16' (4800 mm) | 113 443 7 | each |

Screws not included - recommend #10 Pan Head

BF150 Pivot plate assembly

Sold in BF150 Hardware sets only.

Available separately as replacement part.



| Article | Order no. | PU |
|----------------------|-----------|----|
| Pivot Plate Assembly | 113 516 6 | 1 |

BF150 Plunger spring assembly

Sold in BF150 Hardware sets only.

Available separately as replacement part.



| Article | Order no. | PU |
|-------------------------|-----------|----|
| Plunger spring assembly | 113 516 5 | 1 |

Grant Carrier 150E with top plate

four ball bearing wheels

steel, spring loaded

quick release top plate

screws included



| Article | Order no. | PU |
|--------------------------|-----------|----|
| Carrier 150E w/top plate | 113 516 3 | 10 |

BF150 Floor cam assembly

BF150 Hardware sets only.

Available separately as replacement part.



| Article | Order no. | PU |
|--------------------|-----------|----|
| Floor cam assembly | 113 516 4 | 1 |

Guide roller 1221 (adjustable)

Used with recessed no. 1222 guide channel.

Attached to bottom of lead doors and runs in guide channel.

Dimensions:

plate - 3/4" (width) x 3 1/2" x 3/32" (thick)

19 mm (width) x 88.9 mm x 2.4 (thick) mm

post - 2 1/2" x 5/16" (diameter)

63.5 mm x 7.9 mm (diameter)

guide roller - 13/32" (height) x 1/2" (diameter)

10.3 mm (height) x 12.7 mm (diameter)

Material:

electro zinc plated cold rolled steel

Screws included



| Article | Order no. | PU |
|-------------------|-----------|----|
| Guide roller 1221 | 050 141 | 20 |

Continuous guide channel 1222

Used with no. 1211 guide roller.

Mortised into floor or surface mounted.

Dimensions:

5/8" x 3/4" (16 x 19 mm)

Material:

0.093 thick extruded aluminum



| Length | Order no. | PU |
|---------------|-----------|----|
| 4' (1200 mm) | 050 142 | 5 |
| 5' (1500 mm) | 050 143 | 5 |
| 6' (1800 mm) | 050 144 | 5 |
| 8' (2400 mm) | 050 145 | 5 |
| 10' (3000 mm) | 050 146 | 5 |
| 12' (3600 mm) | 050 147 | 5 |
| 16' (4800 mm) | 050 148 | 5 |

Screws not included - recommend #6 Flat Head

Parts and Accessories

Sheaves and Tracks

Sheave 20

for 3/4" [19 mm] min. door thickness
for 50 lbs [23 kg] doors

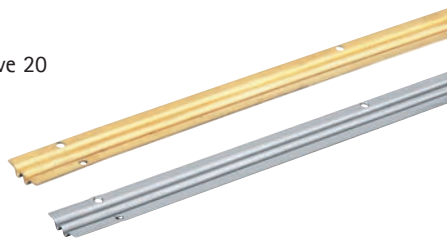


| Finish | Order no. | PU |
|--------------------------------|-----------|----|
| Wheel - brass, housing - brass | 050 452 | 12 |
| Wheel - nylon, housing - brass | 050 453 | 12 |
| Wheel - nylon, housing - steel | 050 454 | 12 |
| Wheel - brass, housing - steel | 050 455 | 12 |

Screws included

Track 20

for use with Sheave 20



| Article | Finish | Order no. | PU |
|---------------|-----------------|-----------|----|
| 6' (1800 mm) | brass | 050 433 | 5 |
| 8' (2400 mm) | brass | 050 434 | 5 |
| 10' (3000 mm) | brass | 050 435 | 5 |
| 12' (3600 mm) | brass | 050 436 | 5 |
| 10' (3000 mm) | stainless steel | 050 440 | 5 |
| 12' (3600 mm) | stainless steel | 050 441 | 5 |
| 6' (1800 mm) | aluminum | 050 443 | 5 |

Screws not included - recommend #2 Flat Head, pre-drilled holes

Sheave 18

for 1" [25.4 mm] min. door thickness
for 125 lbs [91 kg] doors

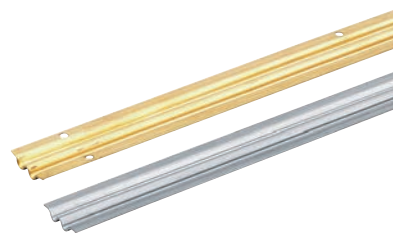


| Article | Order no. | PU |
|--------------------------------|-----------|----|
| Wheel - nylon, housing - zamac | 113 552 5 | 12 |

Screws included

Track 18

for use with Sheave 18



| Article | Finish | Order no. | PU |
|---------------|-----------------|-----------|----|
| 6' (1800 mm) | brass | 050 424 | 5 |
| 8' (2400 mm) | brass | 050 425 | 5 |
| 12' (3600 mm) | brass | 050 427 | 5 |
| 6' (1800 mm) | stainless steel | 050 428 | 5 |
| 8' (2400 mm) | stainless steel | 050 429 | 5 |
| 10' (3000 mm) | stainless steel | 050 430 | 5 |
| 12' (3600 mm) | stainless steel | 050 431 | 5 |

Screws not included - recommend #2 Flat Head, pre-drilled holes

Sheave 14

for 1 1/4" [31.8 mm] min. door thickness
for 200 lbs [91 kg] doors



| Article | Order no. | PU |
|--------------------------------|-----------|----|
| Wheel - nylon, housing - zamac | 113 552 6 | 12 |

Screws included

Track 14

for use with Sheave 14



| Length | Finish | Order no. | PU |
|---------------|--------|-----------|----|
| 6' (1800 mm) | bronze | 050 175 | 5 |
| 8' (2400 mm) | bronze | 050 176 | 5 |
| 10' (3000 mm) | bronze | 050 177 | 5 |
| 12' (3600 mm) | bronze | 050 178 | 5 |

Screws not included - recommend #4 Flat Head, pre-drilled holes

Item Number Index

| Item no. | Page no. | Item no. | Page no. | Item no. | Page no. | Item no. | Page no. | Item no. | Page no. |
|----------|----------|----------|----------|----------|----------|----------|----------|----------|----------|
| 050 101 | 2.3 | 050 127 | 7.11 | 050 145 | 10.14 | 050 430 | 8.2 | 050 462 | 2.3 |
| 050 101 | 2.5 | 050 127 | 10.7 | 050 145 | 10.15 | 050 430 | 10.16 | 050 462 | 2.5 |
| 050 101 | 2.7 | 050 127 | 10.11 | 050 146 | 7.5 | 050 431 | 8.2 | 050 462 | 10.1 |
| 050 101 | 2.9 | 050 138 | 7.12 | 050 146 | 7.9 | 050 431 | 10.16 | 050 464 | 2.3 |
| 050 101 | 2.11 | 050 138 | 9.1 | 050 146 | 7.9.4 | 050 433 | 8.1 | 050 464 | 2.5 |
| 050 101 | 2.13 | 050 138 | 10.3 | 050 146 | 7.12 | 050 433 | 10.16 | 050 464 | 10.1 |
| 050 101 | 2.5.2 | 050 138 | 10.6 | 050 146 | 9.1 | 050 434 | 8.1 | 050 466 | 5.3 |
| 050 101 | 9.1 | 050 138 | 10.12 | 050 146 | 10.3 | 050 434 | 10.16 | 050 466 | 5.5 |
| 050 101 | 10.2 | 050 139 | 2.15 | 050 146 | 10.6 | 050 435 | 8.1 | 050 466 | 10.1 |
| 050 101 | 10.5 | 050 139 | 10.7 | 050 146 | 10.12 | 050 435 | 10.16 | 050 467 | 5.3 |
| 050 102 | 5.3 | 050 140 | 2.17 | 050 146 | 10.13 | 050 436 | 8.1 | 050 467 | 5.5 |
| 050 102 | 5.5 | 050 140 | 10.7 | 050 146 | 10.14 | 050 436 | 10.16 | 050 468 | 5.3 |
| 050 102 | 5.5.2 | 050 141 | 7.5 | 050 146 | 10.15 | 050 440 | 8.1 | 050 468 | 5.5 |
| 050 102 | 5.5.4 | 050 141 | 7.9 | 050 147 | 7.5 | 050 440 | 10.16 | 050 468 | 10.1 |
| 050 102 | 6.3 | 050 141 | 7.9.4 | 050 147 | 7.9 | 050 441 | 8.1 | 050 469 | 5.3 |
| 050 102 | 9.2 | 050 141 | 7.12 | 050 147 | 7.9.4 | 050 441 | 10.16 | 050 469 | 5.5 |
| 050 102 | 10.2 | 050 141 | 9.1 | 050 147 | 7.12 | 050 443 | 8.1 | 050 469 | 10.1 |
| 050 103 | 5.7 | 050 141 | 10.3 | 050 147 | 9.1 | 050 443 | 10.16 | 050 470 | 5.3 |
| 050 103 | 5.15 | 050 141 | 10.6 | 050 147 | 10.3 | 050 448 | 2.15 | 050 470 | 5.5 |
| 050 103 | 6.5 | 050 141 | 10.12 | 050 147 | 10.6 | 050 448 | 2.17 | 050 470 | 10.1 |
| 050 103 | 9.2 | 050 141 | 10.13 | 050 147 | 10.12 | 050 448 | 3.11 | 050 471 | 5.3 |
| 050 103 | 10.2 | 050 141 | 10.14 | 050 147 | 10.13 | 050 448 | 8.1 | 050 471 | 5.5 |
| 050 104 | 5.11 | 050 141 | 10.15 | 050 147 | 10.14 | 050 448 | 9.1 | 050 471 | 10.1 |
| 050 104 | 5.17 | 050 142 | 7.5 | 050 147 | 10.15 | 050 448 | 10.2 | 050 472 | 5.3 |
| 050 104 | 6.7 | 050 142 | 7.9 | 050 148 | 7.5 | 050 448 | 10.5 | 050 472 | 5.5 |
| 050 104 | 9.2 | 050 142 | 7.9.4 | 050 148 | 7.9 | 050 448 | 10.7 | 050 472 | 10.1 |
| 050 105 | 5.13 | 050 142 | 7.12 | 050 148 | 7.9.4 | 050 448 | 10.10 | 050 475 | 6.3 |
| 050 105 | 6.9 | 050 142 | 9.1 | 050 148 | 7.12 | 050 449 | 2.15 | 050 475 | 10.1 |
| 050 105 | 9.2 | 050 142 | 10.3 | 050 148 | 9.1 | 050 449 | 2.17 | 050 477 | 6.3 |
| 050 106 | 5.9 | 050 142 | 10.6 | 050 148 | 10.3 | 050 449 | 3.11 | 050 477 | 10.1 |
| 050 106 | 9.2 | 050 142 | 10.12 | 050 148 | 10.6 | 050 449 | 8.1 | 050 519 | 2.7 |
| 050 120 | 10.2 | 050 142 | 10.13 | 050 148 | 10.12 | 050 449 | 9.1 | 050 519 | 2.9 |
| 050 120 | 10.6 | 050 142 | 10.14 | 050 148 | 10.13 | 050 449 | 10.2 | 050 519 | 2.11 |
| 050 121 | 2.15 | 050 142 | 10.15 | 050 148 | 10.14 | 050 449 | 10.5 | 050 519 | 2.13 |
| 050 121 | 2.17 | 050 143 | 7.5 | 050 148 | 10.15 | 050 449 | 10.7 | 050 519 | 10.3 |
| 050 121 | 7.11 | 050 143 | 7.9 | 050 149 | 7.12 | 050 449 | 10.10 | 050 520 | 2.7 |
| 050 121 | 10.7 | 050 143 | 7.9.4 | 050 149 | 10.11 | 050 450 | 2.15 | 050 520 | 2.9 |
| 050 121 | 10.11 | 050 143 | 7.12 | 050 150 | 7.12 | 050 450 | 2.17 | 050 520 | 2.11 |
| 050 122 | 2.15 | 050 143 | 9.1 | 050 150 | 10.11 | 050 450 | 3.11 | 050 520 | 2.13 |
| 050 122 | 2.17 | 050 143 | 10.3 | 050 151 | 7.11 | 050 450 | 8.1 | 050 520 | 10.3 |
| 050 122 | 7.11 | 050 143 | 10.6 | 050 160 | 7.12 | 050 450 | 9.1 | 050 521 | 2.7 |
| 050 122 | 10.7 | 050 143 | 10.12 | 050 160 | 10.11 | 050 450 | 10.2 | 050 521 | 2.9 |
| 050 122 | 10.11 | 050 143 | 10.13 | 050 161 | 7.12 | 050 450 | 10.5 | 050 521 | 2.11 |
| 050 123 | 2.15 | 050 143 | 10.14 | 050 161 | 10.11 | 050 450 | 10.7 | 050 521 | 2.13 |
| 050 123 | 2.17 | 050 143 | 10.15 | 050 173 | 7.12 | 050 450 | 10.10 | 050 521 | 10.3 |
| 050 123 | 7.11 | 050 144 | 7.5 | 050 173 | 10.11 | 050 451 | 2.15 | 050 522 | 2.7 |
| 050 123 | 10.7 | 050 144 | 7.9 | 050 174 | 10.14 | 050 451 | 2.17 | 050 522 | 2.9 |
| 050 123 | 10.11 | 050 144 | 7.9.4 | 050 175 | 8.2 | 050 451 | 3.11 | 050 522 | 2.11 |
| 050 124 | 2.15 | 050 144 | 7.12 | 050 175 | 10.16 | 050 451 | 8.1 | 050 522 | 2.13 |
| 050 124 | 2.17 | 050 144 | 9.1 | 050 176 | 8.2 | 050 451 | 9.1 | 050 522 | 10.3 |
| 050 124 | 7.11 | 050 144 | 10.3 | 050 176 | 10.16 | 050 451 | 10.2 | 050 523 | 2.7 |
| 050 124 | 10.7 | 050 144 | 10.6 | 050 177 | 8.2 | 050 451 | 10.5 | 050 523 | 2.9 |
| 050 124 | 10.11 | 050 144 | 10.12 | 050 177 | 10.16 | 050 451 | 10.7 | 050 523 | 2.11 |
| 050 125 | 2.15 | 050 144 | 10.13 | 050 178 | 8.2 | 050 451 | 10.10 | 050 523 | 2.13 |
| 050 125 | 2.17 | 050 144 | 10.14 | 050 178 | 10.16 | 050 452 | 8.1 | 050 523 | 10.3 |
| 050 125 | 7.11 | 050 144 | 10.15 | 050 424 | 8.2 | 050 452 | 10.16 | 050 524 | 2.7 |
| 050 125 | 10.7 | 050 145 | 7.5 | 050 424 | 10.16 | 050 453 | 8.1 | 050 524 | 2.9 |
| 050 125 | 10.11 | 050 145 | 7.9 | 050 425 | 8.2 | 050 453 | 10.16 | 050 524 | 2.11 |
| 050 126 | 2.15 | 050 145 | 7.9.4 | 050 425 | 10.16 | 050 454 | 8.1 | 050 524 | 2.13 |
| 050 126 | 2.17 | 050 145 | 7.12 | 050 427 | 8.2 | 050 454 | 10.16 | 050 524 | 10.3 |
| 050 126 | 7.11 | 050 145 | 9.1 | 050 427 | 10.16 | 050 455 | 8.1 | 050 525 | 2.7 |
| 050 126 | 10.7 | 050 145 | 10.3 | 050 428 | 8.2 | 050 455 | 10.16 | 050 525 | 2.9 |
| 050 126 | 10.11 | 050 145 | 10.6 | 050 428 | 10.16 | 050 461 | 2.3 | 050 525 | 2.11 |
| 050 127 | 2.15 | 050 145 | 10.12 | 050 429 | 8.2 | 050 461 | 2.5 | 050 525 | 2.13 |
| 050 127 | 2.17 | 050 145 | 10.13 | 050 429 | 10.16 | 050 461 | 10.1 | 050 525 | 10.3 |

Item Number Index

| Item no. | Page no. | Item no. | Page no. | Item no. | Page no. | Item no. | Page no. | Item no. | Page no. |
|----------|----------|----------|----------|-----------|----------|-----------|----------|-----------|----------|
| 050 526 | 5.7 | 050 544 | 10.4 | 050 565 | 5.13 | 113 333 8 | 2.9 | 113 337 5 | 5.17 |
| 050 526 | 5.9 | 050 545 | 6.5 | 050 565 | 6.7 | 113 333 8 | 2.11 | 113 337 6 | 5.17 |
| 050 526 | 5.15 | 050 545 | 10.4 | 050 565 | 6.9 | 113 333 8 | 2.13 | 113 337 7 | 5.17 |
| 050 526 | 10.3 | 050 546 | 6.5 | 050 565 | 10.5 | 113 333 8 | 5.7 | 113 337 8 | 6.9 |
| 050 527 | 5.7 | 050 546 | 10.4 | 050 566 | 2.13 | 113 333 8 | 5.9 | 113 337 9 | 6.9 |
| 050 527 | 5.9 | 050 548 | 6.7 | 050 566 | 5.15 | 113 333 8 | 5.11 | 113 338 0 | 6.9 |
| 050 527 | 5.15 | 050 548 | 10.4 | 050 566 | 5.17 | 113 333 8 | 5.13 | 113 338 1 | 6.9 |
| 050 527 | 10.3 | 050 549 | 6.7 | 050 566 | 10.5 | 113 333 8 | 5.15 | 113 338 2 | 6.7 |
| 050 528 | 5.7 | 050 549 | 10.4 | 113 327 0 | 2.15 | 113 333 8 | 5.17 | 113 338 3 | 6.7 |
| 050 528 | 5.9 | 050 550 | 6.7 | 113 327 0 | 10.7 | 113 333 8 | 6.5 | 113 338 4 | 6.7 |
| 050 528 | 5.15 | 050 550 | 10.4 | 113 327 1 | 2.17 | 113 333 8 | 6.7 | 113 338 5 | 6.7 |
| 050 528 | 10.3 | 050 551 | 6.7 | 113 327 1 | 7.11 | 113 333 8 | 6.9 | 113 403 9 | 3.11 |
| 050 529 | 5.7 | 050 551 | 10.4 | 113 327 1 | 10.7 | 113 333 8 | 10.5 | 113 403 9 | 10.10 |
| 050 529 | 5.9 | 050 552 | 6.7 | 113 327 1 | 10.11 | 113 333 9 | 2.7 | 113 404 0 | 3.11 |
| 050 529 | 5.15 | 050 552 | 10.4 | 113 327 2 | 2.15 | 113 333 9 | 2.9 | 113 404 0 | 10.10 |
| 050 529 | 10.3 | 050 553 | 6.7 | 113 327 3 | 2.15 | 113 333 9 | 2.11 | 113 404 1 | 3.11 |
| 050 530 | 5.7 | 050 553 | 10.4 | 113 327 4 | 2.15 | 113 333 9 | 2.13 | 113 404 1 | 10.10 |
| 050 530 | 5.9 | 050 555 | 6.9 | 113 327 5 | 2.15 | 113 333 9 | 5.7 | 113 404 2 | 3.11 |
| 050 530 | 5.15 | 050 555 | 10.4 | 113 327 6 | 2.15 | 113 333 9 | 5.9 | 113 404 2 | 10.10 |
| 050 530 | 10.3 | 050 556 | 6.9 | 113 327 8 | 2.17 | 113 333 9 | 5.11 | 113 404 3 | 3.11 |
| 050 531 | 5.7 | 050 556 | 10.4 | 113 327 9 | 2.17 | 113 333 9 | 5.13 | 113 404 3 | 10.10 |
| 050 531 | 5.9 | 050 557 | 6.9 | 113 328 0 | 2.17 | 113 333 9 | 5.15 | 113 404 4 | 3.11 |
| 050 531 | 5.15 | 050 557 | 10.4 | 113 328 1 | 2.17 | 113 333 9 | 5.17 | 113 404 4 | 10.10 |
| 050 531 | 10.3 | 050 558 | 6.9 | 113 328 2 | 2.17 | 113 333 9 | 6.5 | 113 407 6 | 3.11 |
| 050 532 | 5.7 | 050 558 | 10.4 | 113 328 3 | 2.17 | 113 333 9 | 6.7 | 113 407 6 | 10.10 |
| 050 532 | 5.9 | 050 559 | 6.9 | 113 328 4 | 7.11 | 113 333 9 | 6.9 | 113 413 3 | 3.3 |
| 050 532 | 5.15 | 050 559 | 10.4 | 113 328 5 | 7.11 | 113 333 9 | 10.5 | 113 413 3 | 10.8 |
| 050 532 | 10.3 | 050 560 | 6.9 | 113 328 6 | 7.11 | 113 334 0 | 2.7 | 113 413 4 | 3.3 |
| 050 533 | 5.11 | 050 560 | 10.4 | 113 328 7 | 7.11 | 113 334 1 | 2.7 | 113 413 4 | 10.8 |
| 050 533 | 5.13 | 050 561 | 2.7 | 113 328 8 | 7.11 | 113 334 2 | 2.7 | 113 413 5 | 3.3 |
| 050 533 | 5.17 | 050 561 | 2.9 | 113 328 9 | 7.11 | 113 334 3 | 2.11 | 113 413 5 | 10.8 |
| 050 533 | 10.4 | 050 561 | 2.11 | 113 329 0 | 7.11 | 113 334 4 | 2.11 | 113 413 6 | 3.3 |
| 050 534 | 5.11 | 050 561 | 2.13 | 113 329 1 | 7.11 | 113 334 5 | 2.13 | 113 413 6 | 10.8 |
| 050 534 | 5.13 | 050 561 | 5.7 | 113 329 2 | 7.11 | 113 334 6 | 2.13 | 113 413 7 | 3.3 |
| 050 534 | 5.17 | 050 561 | 5.9 | 113 329 3 | 7.11 | 113 334 7 | 2.13 | 113 413 7 | 10.8 |
| 050 534 | 10.4 | 050 561 | 5.11 | 113 329 4 | 7.11 | 113 334 8 | 2.13 | 113 413 8 | 3.7 |
| 050 535 | 5.11 | 050 561 | 5.13 | 113 331 7 | 5.3 | 113 334 9 | 2.13 | 113 413 8 | 10.9 |
| 050 535 | 5.13 | 050 561 | 5.15 | 113 331 8 | 5.3 | 113 335 0 | 5.7 | 113 413 9 | 3.7 |
| 050 535 | 5.17 | 050 561 | 5.17 | 113 331 9 | 5.3 | 113 335 0 | 6.5 | 113 413 9 | 10.9 |
| 050 535 | 10.4 | 050 561 | 6.5 | 113 332 0 | 5.3 | 113 335 1 | 5.7 | 113 414 0 | 3.7 |
| 050 536 | 5.11 | 050 561 | 6.7 | 113 332 1 | 5.3 | 113 335 2 | 5.7 | 113 414 0 | 10.9 |
| 050 536 | 5.13 | 050 561 | 6.9 | 113 332 2 | 2.5 | 113 335 3 | 5.7 | 113 414 1 | 3.7 |
| 050 536 | 5.17 | 050 561 | 10.6 | 113 332 3 | 2.5 | 113 335 4 | 5.9 | 113 414 1 | 10.9 |
| 050 536 | 10.4 | 050 562 | 2.15 | 113 332 4 | 2.5 | 113 335 5 | 5.9 | 113 414 2 | 3.7 |
| 050 537 | 5.11 | 050 562 | 2.17 | 113 332 5 | 5.5 | 113 335 6 | 5.9 | 113 414 2 | 10.9 |
| 050 537 | 5.13 | 050 562 | 2.5.4 | 113 332 5 | 6.3 | 113 335 7 | 5.9 | 113 414 5 | 3.3 |
| 050 537 | 5.17 | 050 562 | 3.3 | 113 332 6 | 5.5 | 113 335 8 | 5.13 | 113 414 6 | 3.7 |
| 050 537 | 10.4 | 050 562 | 3.7 | 113 332 7 | 5.5 | 113 335 8 | 6.9 | 113 418 1 | 2.17 |
| 050 538 | 5.11 | 050 562 | 9.1 | 113 332 8 | 5.5 | 113 335 9 | 5.13 | 113 421 1 | 3.3 |
| 050 538 | 5.13 | 050 562 | 10.2 | 113 332 9 | 5.5 | 113 336 0 | 5.13 | 113 421 1 | 10.8 |
| 050 538 | 5.17 | 050 562 | 10.7 | 113 333 0 | 6.3 | 113 336 1 | 5.13 | 113 421 2 | 3.3 |
| 050 538 | 10.4 | 050 562 | 10.8 | 113 333 1 | 6.3 | 113 336 2 | 5.13 | 113 421 2 | 10.8 |
| 050 539 | 5.11 | 050 562 | 10.9 | 113 333 3 | 5.3 | 113 336 3 | 5.11 | 113 421 3 | 3.7 |
| 050 539 | 5.13 | 050 563 | 2.7 | 113 333 3 | 10.1 | 113 336 3 | 6.7 | 113 421 3 | 10.9 |
| 050 539 | 5.17 | 050 563 | 5.7 | 113 333 4 | 2.3 | 113 336 4 | 5.11 | 113 421 4 | 3.7 |
| 050 539 | 10.4 | 050 563 | 5.9 | 113 333 4 | 5.3 | 113 336 5 | 5.11 | 113 421 4 | 10.9 |
| 050 540 | 6.5 | 050 563 | 5.13 | 113 333 4 | 10.1 | 113 336 6 | 5.11 | 113 424 5 | 3.3 |
| 050 540 | 10.4 | 050 563 | 6.5 | 113 333 6 | 5.5 | 113 336 7 | 5.11 | 113 424 5 | 3.7 |
| 050 541 | 6.5 | 050 563 | 6.9 | 113 333 6 | 6.3 | 113 336 8 | 5.15 | 113 424 5 | 10.8 |
| 050 541 | 10.4 | 050 563 | 10.5 | 113 333 6 | 10.1 | 113 336 9 | 5.15 | 113 424 5 | 10.9 |
| 050 542 | 6.5 | 050 564 | 2.9 | 113 333 7 | 2.5 | 113 337 0 | 5.15 | 113 424 6 | 3.3 |
| 050 542 | 10.4 | 050 564 | 10.5 | 113 333 7 | 5.5 | 113 337 1 | 5.15 | 113 424 6 | 10.8 |
| 050 543 | 6.5 | 050 565 | 2.11 | 113 333 7 | 6.3 | 113 337 2 | 5.15 | 113 424 7 | 3.7 |
| 050 543 | 10.4 | 050 565 | 5.9 | 113 333 7 | 10.2 | 113 337 3 | 5.17 | 113 424 7 | 10.9 |
| 050 544 | 6.5 | 050 565 | 5.11 | 113 333 8 | 2.7 | 113 337 4 | 5.17 | 113 425 8 | 3.3 |

Item Number Index

| Item no. | Page no. | Item no. | Page no. | Item no. | Page no. | Item no. | Page no. |
|-----------|----------|-----------|----------|-----------|----------|-----------|----------|
| 113 425 8 | 10.8 | 113 431 4 | 3.5 | 113 440 2 | 10.12 | 113 516 3 | 10.15 |
| 113 425 9 | 3.3 | 113 431 4 | 3.9 | 113 440 2 | 10.13 | 113 516 3 | 7.9.3 |
| 113 425 9 | 10.8 | 113 431 4 | 10.8 | 113 440 3 | 2.5.2 | 113 516 4 | 10.15 |
| 113 426 0 | 3.3 | 113 431 4 | 10.9 | 113 440 3 | 5.5.2 | 113 516 5 | 10.15 |
| 113 426 0 | 10.8 | 113 431 5 | 3.5 | 113 440 3 | 7.4 | 113 516 6 | 10.15 |
| 113 426 1 | 3.3 | 113 431 5 | 3.9 | 113 440 3 | 7.7 | 113 516 7 | 7.9.2 |
| 113 426 1 | 10.8 | 113 431 5 | 10.8 | 113 440 3 | 10.12 | 113 522 9 | 7.4 |
| 113 426 2 | 3.3 | 113 431 5 | 10.9 | 113 440 3 | 10.14 | 113 523 0 | 7.4 |
| 113 426 2 | 10.8 | 113 431 6 | 3.5 | 113 440 4 | 2.5.2 | 113 523 1 | 7.4 |
| 113 426 3 | 3.3 | 113 431 6 | 3.9 | 113 440 4 | 5.5.2 | 113 523 2 | 7.4 |
| 113 426 3 | 10.8 | 113 431 6 | 10.8 | 113 440 4 | 7.4 | 113 523 3 | 7.4 |
| 113 426 4 | 3.3 | 113 431 6 | 10.9 | 113 440 4 | 7.7 | 113 523 4 | 7.4 |
| 113 426 4 | 10.8 | 113 431 7 | 3.5 | 113 440 4 | 10.12 | 113 523 5 | 7.7 |
| 113 427 6 | 3.7 | 113 431 7 | 3.9 | 113 440 4 | 10.13 | 113 523 6 | 7.7 |
| 113 427 6 | 10.9 | 113 431 7 | 10.8 | 113 440 5 | 2.5.2 | 113 524 1 | 7.4 |
| 113 427 7 | 3.7 | 113 431 7 | 10.9 | 113 440 5 | 5.5.2 | 113 524 3 | 7.7 |
| 113 427 7 | 10.9 | 113 431 8 | 3.5 | 113 440 5 | 7.4 | 113 524 4 | 7.9.2 |
| 113 427 8 | 3.7 | 113 431 8 | 3.9 | 113 440 5 | 7.7 | 113 524 5 | 7.9.2 |
| 113 427 8 | 10.9 | 113 431 8 | 10.8 | 113 440 5 | 10.12 | 113 524 6 | 7.9.2 |
| 113 427 9 | 3.7 | 113 431 8 | 10.9 | 113 440 5 | 10.13 | 113 524 7 | 7.9.2 |
| 113 427 9 | 10.9 | 113 431 9 | 3.5 | 113 440 6 | 2.5.2 | 113 524 8 | 7.9.2 |
| 113 428 0 | 3.7 | 113 431 9 | 3.9 | 113 440 6 | 5.5.2 | 113 524 9 | 7.9.2 |
| 113 428 0 | 10.9 | 113 431 9 | 10.8 | 113 440 6 | 7.4 | 113 525 0 | 7.9.2 |
| 113 428 1 | 3.7 | 113 431 9 | 10.9 | 113 440 6 | 7.7 | 113 525 1 | 7.9.2 |
| 113 428 1 | 10.9 | 113 432 0 | 3.5 | 113 440 6 | 10.12 | 113 525 2 | 7.9.2 |
| 113 428 2 | 3.7 | 113 432 0 | 3.9 | 113 440 6 | 10.13 | 113 533 3 | 2.5.2 |
| 113 428 2 | 10.9 | 113 432 0 | 10.8 | 113 440 7 | 7.8 | 113 533 4 | 2.5.4 |
| 113 428 7 | 3.3 | 113 432 0 | 10.9 | 113 440 7 | 10.13 | 113 533 5 | 5.5.2 |
| 113 428 8 | 3.3 | 113 432 2 | 2.5.2 | 113 440 7 | 10.14 | 113 533 7 | 2.5.2 |
| 113 428 9 | 3.3 | 113 432 2 | 5.5.2 | 113 442 3 | 3.5 | 113 533 8 | 2.5.2 |
| 113 429 0 | 3.3 | 113 432 2 | 7.8 | 113 442 3 | 3.9 | 113 533 9 | 2.5.2 |
| 113 429 1 | 3.7 | 113 432 2 | 10.13 | 113 442 3 | 10.8 | 113 534 0 | 2.5.2 |
| 113 429 2 | 3.7 | 113 432 3 | 10.12 | 113 442 3 | 10.9 | 113 534 1 | 5.5.2 |
| 113 429 3 | 3.7 | 113 432 4 | 10.12 | 113 443 1 | 2.5.4 | 113 534 2 | 5.5.2 |
| 113 429 4 | 3.7 | 113 432 4 | 10.13 | 113 443 1 | 2.5.4 | 113 534 3 | 5.5.2 |
| 113 429 5 | 3.7 | 113 432 4 | 10.14 | 113 443 1 | 5.5.4 | 113 534 4 | 5.5.2 |
| 113 429 6 | 3.7 | 113 432 5 | 10.12 | 113 443 1 | 7.9.2 | 113 534 9 | 2.5.4 |
| 113 430 7 | 3.5 | 113 432 5 | 10.13 | 113 443 1 | 10.15 | 113 535 0 | 2.5.4 |
| 113 430 7 | 3.9 | 113 433 6 | 10.6 | 113 443 2 | 2.5.4 | 113 535 1 | 2.5.4 |
| 113 430 7 | 10.8 | 113 433 7 | 10.6 | 113 443 2 | 5.5.4 | 113 535 2 | 2.5.4 |
| 113 430 7 | 10.9 | 113 433 8 | 10.6 | 113 443 2 | 7.9.2 | 113 535 3 | 5.5.4 |
| 113 430 8 | 3.5 | 113 434 6 | 7.4 | 113 443 2 | 10.15 | 113 535 4 | 5.5.4 |
| 113 430 8 | 3.9 | 113 434 7 | 7.7 | 113 443 3 | 2.5.4 | 113 535 5 | 5.5.4 |
| 113 430 8 | 10.8 | 114 439 9 | 2.5.2 | 113 443 3 | 5.5.4 | 113 535 6 | 5.5.4 |
| 113 430 8 | 10.9 | 113 439 9 | 5.5.2 | 113 443 3 | 7.9.2 | 113 537 2 | 10.10 |
| 113 430 9 | 3.5 | 113 439 9 | 7.4 | 113 443 3 | 10.15 | 113 552 5 | 8.2 |
| 113 430 9 | 3.9 | 113 439 9 | 7.7 | 113 443 4 | 2.5.4 | 113 552 5 | 10.16 |
| 113 430 9 | 10.8 | 113 439 9 | 10.12 | 113 443 4 | 5.5.4 | 113 552 6 | 8.2 |
| 113 430 9 | 10.9 | 113 439 9 | 10.13 | 113 443 4 | 7.9.2 | 113 552 6 | 10.16 |
| 113 431 0 | 3.5 | 113 440 0 | 2.5.2 | 113 443 4 | 10.15 | | |
| 113 431 0 | 3.9 | 113 440 0 | 5.5.2 | 113 443 5 | 2.5.4 | | |
| 113 431 0 | 10.8 | 113 440 0 | 7.4 | 113 443 5 | 5.5.4 | | |
| 113 431 0 | 10.9 | 113 440 0 | 7.7 | 113 443 5 | 7.9.2 | | |
| 113 431 1 | 3.5 | 113 440 0 | 10.12 | 113 443 5 | 10.15 | | |
| 113 431 1 | 3.9 | 113 440 0 | 10.13 | 113 443 6 | 2.5.4 | | |
| 113 431 1 | 10.8 | 113 440 1 | 2.5.2 | 113 443 6 | 5.5.4 | | |
| 113 431 1 | 10.9 | 113 440 1 | 5.5.2 | 113 443 6 | 7.9.2 | | |
| 113 431 2 | 3.5 | 113 440 1 | 7.4 | 113 443 6 | 10.15 | | |
| 113 431 2 | 3.9 | 113 440 1 | 7.7 | 113 443 7 | 2.5.4 | | |
| 113 431 2 | 10.8 | 113 440 1 | 10.12 | 113 443 7 | 5.5.4 | | |
| 113 431 2 | 10.9 | 113 440 1 | 10.13 | 113 443 7 | 7.9.2 | | |
| 113 431 3 | 3.5 | 113 440 2 | 2.5.2 | 113 443 7 | 10.15 | | |
| 113 431 3 | 3.9 | 113 440 2 | 5.5.2 | 113 509 0 | 3.3 | | |
| 113 431 3 | 10.8 | 113 440 2 | 7.4 | 113 516 3 | 2.5.4 | | |
| 113 431 3 | 10.9 | 113 440 2 | 7.7 | 113 516 3 | 5.5.4 | | |



Hettich America L.P.
 4295 Hamilton Mill Road, Suite 400
 Buford, GA 30518
 Technical Hotline: (800) 277-2222

Grant® 6000

SLIDING DOOR HARDWARE
 Capacity: Up to 50 lbs, 75 lbs per door

Reversible bypassing with "gyro-set" adjustable carrier

Specification 6000 Sliding Door Hardware Sets

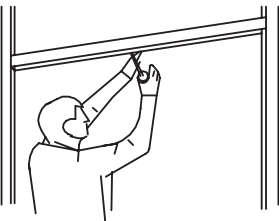
Since these instructions apply to different styles, note your set number, and follow those steps pertaining to it.

These instructions assume a properly framed rough opening with carefully leveled header.



| Set No. | Type Of Installation | Door Thickness | Type of Mounting | Wheels per carrier | Minimum Headroom required | Vertical adjustment | Type of track | Weight capacity lbs per door |
|---------|----------------------|----------------|------------------|--------------------|---------------------------|---------------------|------------------|------------------------------|
| 6023 | single & bi-parting | 3/4" to 1-3/4" | side | one | 1-1/8" | 1/4" | aluminum | 50 |
| 6053 | single & bi-parting | 3/4" to 1-3/4" | side | two | 1-1/8" | 1/4" | aluminum | 75 |
| 6034 | bypassing | 3/4" or 1-3/8" | side | one | 1-1/8" | 1/4" | aluminum | 50 |
| 6064 | bypassing | 3/4" or 1-3/8" | side | two | 1-1/8" | 1/4" | aluminum | 75 |
| 6065 | bypassing | 3/4" | side | two | 1-1/8" | 1/4" | aluminum, fascia | 75 |

1.



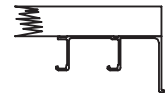
MOUNTING TRACK FIG.1.

Mount track to header with face of track facing room, using #8x1-1/4" R.H.W.S. supplied.

To allow for placement of fascia strip on the sets listed at right, mount track back from front of header the dimension shown in table.

For 1-3/4" doors add 3/4" door.

| Set No | DIMENSION 'A' | | FASCIA TRACK SETS |
|--------|---------------|-------------|-------------------|
| | 3/4" Door | 1-3/8" Door | |
| 6023 | 1/8" | 1" | 6035 |
| 6053 | 1/8" | 1" | 6065 |



Track with flush pulls should be mounted flush with jamb.

2.

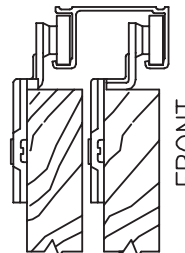
MOUNT CARRIERS TO DOORS

Mount carriers approximately 4" from edge of door.

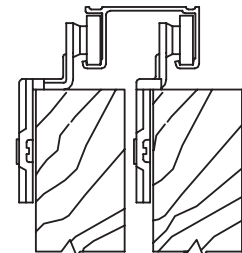
NOTE:

For 3/4" doors use wide offset carrier on front door.

For 1-3/8" doors use wide offset carrier on rear door.

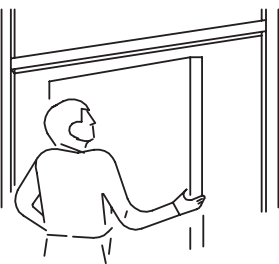


3/4" Door



1-3/8" Door

3.



HANGING DOOR

6023 Lift door and slip wheels of carriers into track. Tilt bottom of door outward to facilitate insertion.
 6053

6034 For 3/4" doors, use wide offset carriers on front door. For 1-3/8" doors use wide offset carriers on rear door. See instructions on carriers. Hang rear door first, tilt bottom of door outward to facilitate insertion.
 6064
 6065



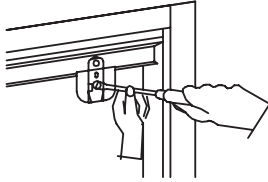
Hettich America L.P.
4295 Hamilton Mill Road, Suite 400
Buford, GA 30518
Technical Hotline: (800) 277-2222

Page 2 of 2

Grant® 6000

SLIDING DOOR HARDWARE
Capacity: Up to 50 lbs, 75 lbs per door

4.



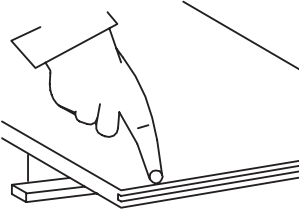
ADJUSTING DOORS

Slightly loosen mounting screws and turn back adjusting screw to raise or lower door. Then tighten mounting screws firmly.

NOTE:

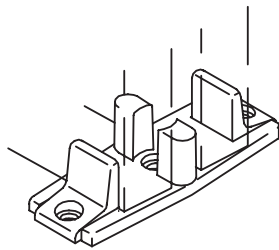
Leave minimum 1/4" clearance between door and saddle, to allow for floor guide.

5.

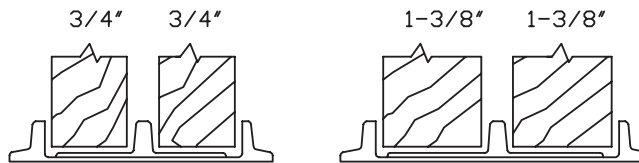


FOR GROOVED INSTALLATIONS ONLY

Cut a continuous saw slot in center of bottom door 1/4" wide x 7/8" deep.

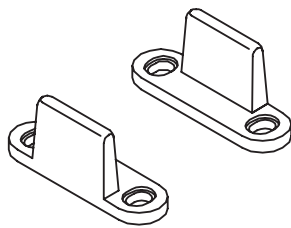


114 FLOOR GUIDE



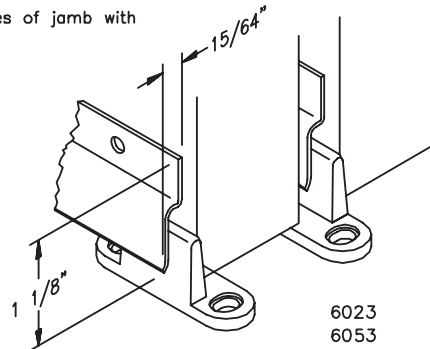
Instructions for installing No.114 floor guide are printed on envelope containing this guide

6034 6064
6065



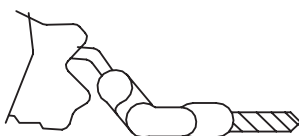
110 FLOOR GUIDE

Mount molded nylon floor guides on flat sides of jamb with screws supplied.



6023
6053

6.

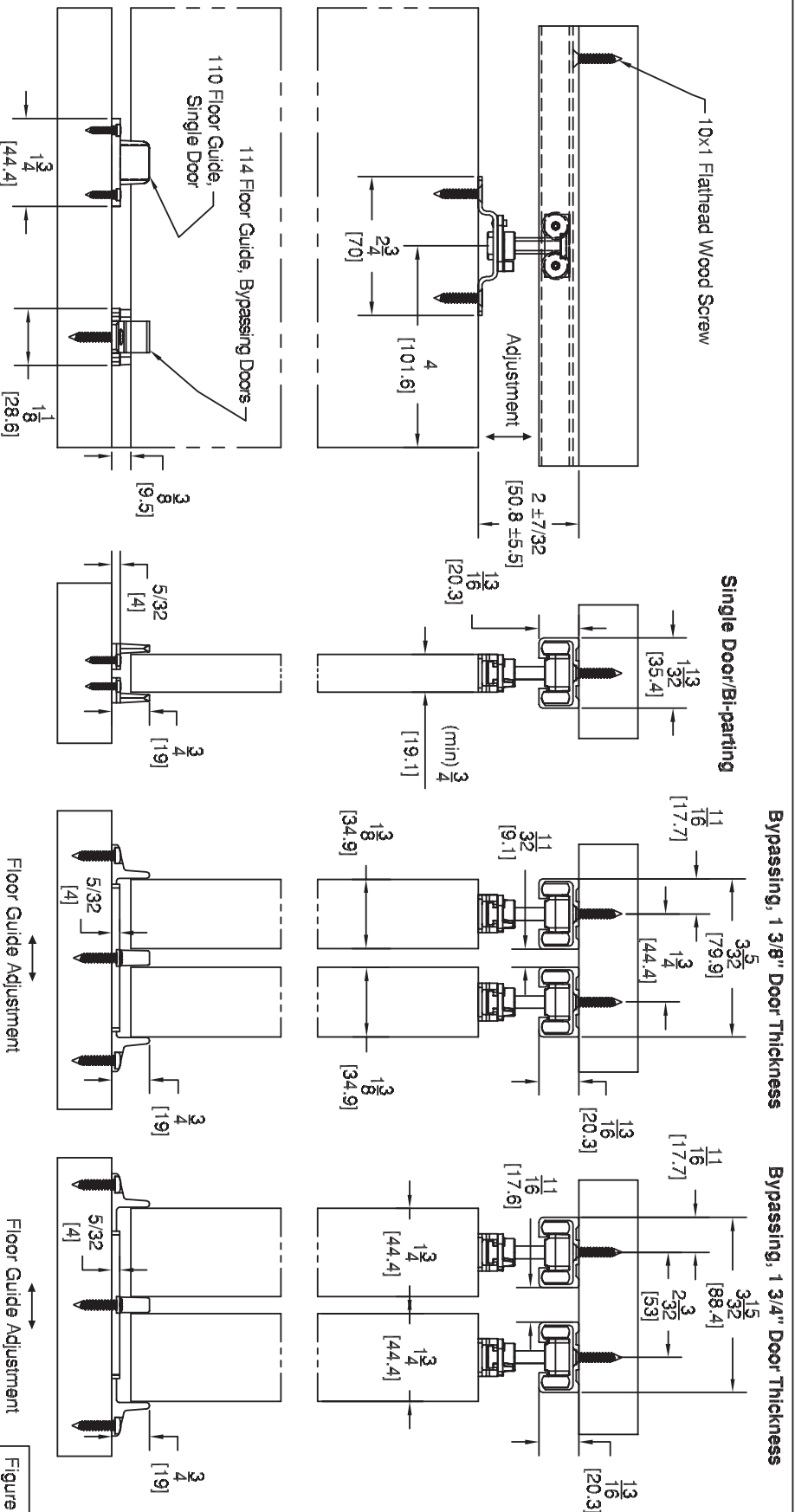


FINGER PULL

Drill a 3/4" diameter mortise in door, 3/8" deep, centered 2" from door edge, and 3/4" from bottom of door. Force finger pull into hole with pressure. If necessary, place a block over the pull and tap it lightly with hammer.

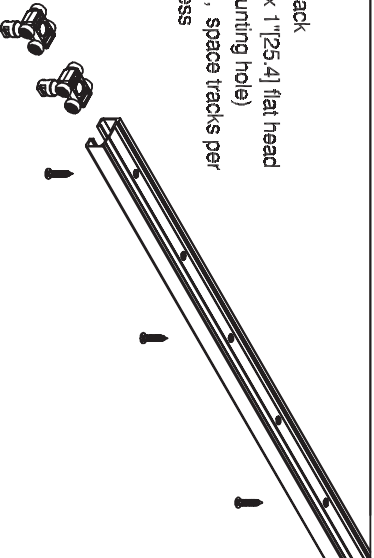
Assembly Instructions Top Line Grant® 75E - up to 75 lbs/panel (34 kg/panel) for sliding/by-passing applications

Technik für Möbel



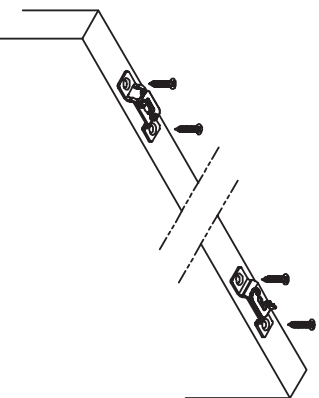
1 Track

- Insert carriers into the track
- Mount track using #10 x 1" (25.4) flat head screws (every other mounting hole)
- For by-pass application, space tracks per Figure 1 for door thickness



2 Top Plate

Mount top plates to the top of the door(s) using #10 x 1" (25.4) flat head screws, as shown in Figure 1 (and illustration to the right). **The opening in the top plate MUST face opposite directions, towards the edge of the door.**



Assembly Instructions

Top Line Grant® 75E - up to 75 lbs/panel (34 kg/panel) for sliding/by-passing applications

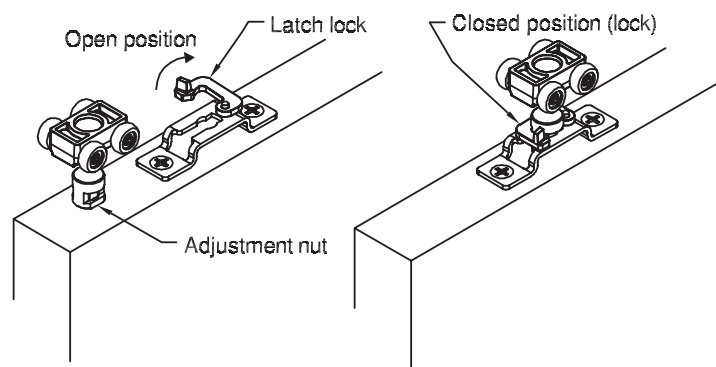
Technik für Möbel



3 Mounting Door(s)

- Bring carriers into position
- Rotate the latch lock into the open position and insert the adjustment nut into the opening of the top plate
- Height adjustment is performed by turning the pendant bolt with a 1/4" wrench. (Latch lock must be in open position for adjustment)

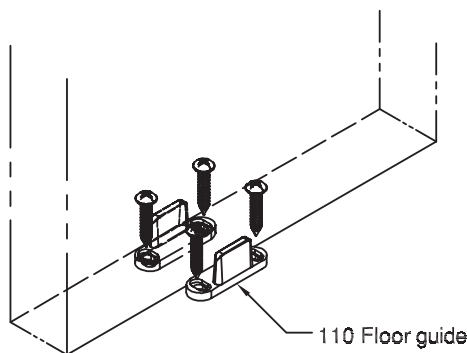
Important: Lock the adjustment nut into the top plate via the latch lock



4 Floor Guide

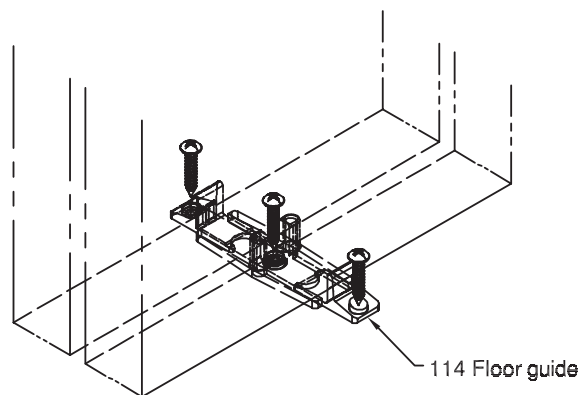
For single door/bi-parting

Mount floor guide using four (4) #8 x 3/4[19.1] pan head screws (provide minimal door clearance for optimal operation)



For bypassing doors

Align floor guide center piece vertically with the center of the track and mount with #8 x 3/4[19.1] screws (provide minimal door clearance for optimal operation)



! Warning

The Top Line Grant® 75E Series door system ("Door System") is designed to support cabinets, storage walls, partitions, or doors weighing up to 75 lbs (34 kg). The door system must be installed by attaching it to a framing member that is designed to support 75 lbs (34 kg) plus the weight of the Door System ("Total Support Weight"). Improper installation of the Door System, including, but not limited to, the use of unauthorized hardware, or the failure to install the door system by attaching it to a framing member that is designed to support the Total Support Weight, could result in serious injury or death. **DO NOT INSTALL THE DOOR SYSTEM TO A FRAMING MEMBER THAT IS NOT DESIGNED TO SUPPORT AT LEAST THE TOTAL SUPPORT WEIGHT. INSTALL THE DOOR SYSTEM ONLY IN THE MANNER SET FORTH IN THE DOOR SYSTEM'S DOOR HARDWARE INSTALLATION INSTRUCTIONS.**

**Toutes les instructions en français et espagnol sont disponibles sur nos sites Internet:
www.grantdoorhardware.com ou www.hettichamerica.com**

Para ver las traducciones al español o al francés de estas instrucciones, visite nuestro sitio web www.grantdoorhardware.com o www.hettichamerica.com

071-11-0137-00-0, Rev. A [INSTRUC:071-11-0137-00-0]

Assembly Instructions Top Line Grant® 150E - up to 150 lbs/panel (68 kg/panel) for sliding/by-passing applications

Technik für Möbel

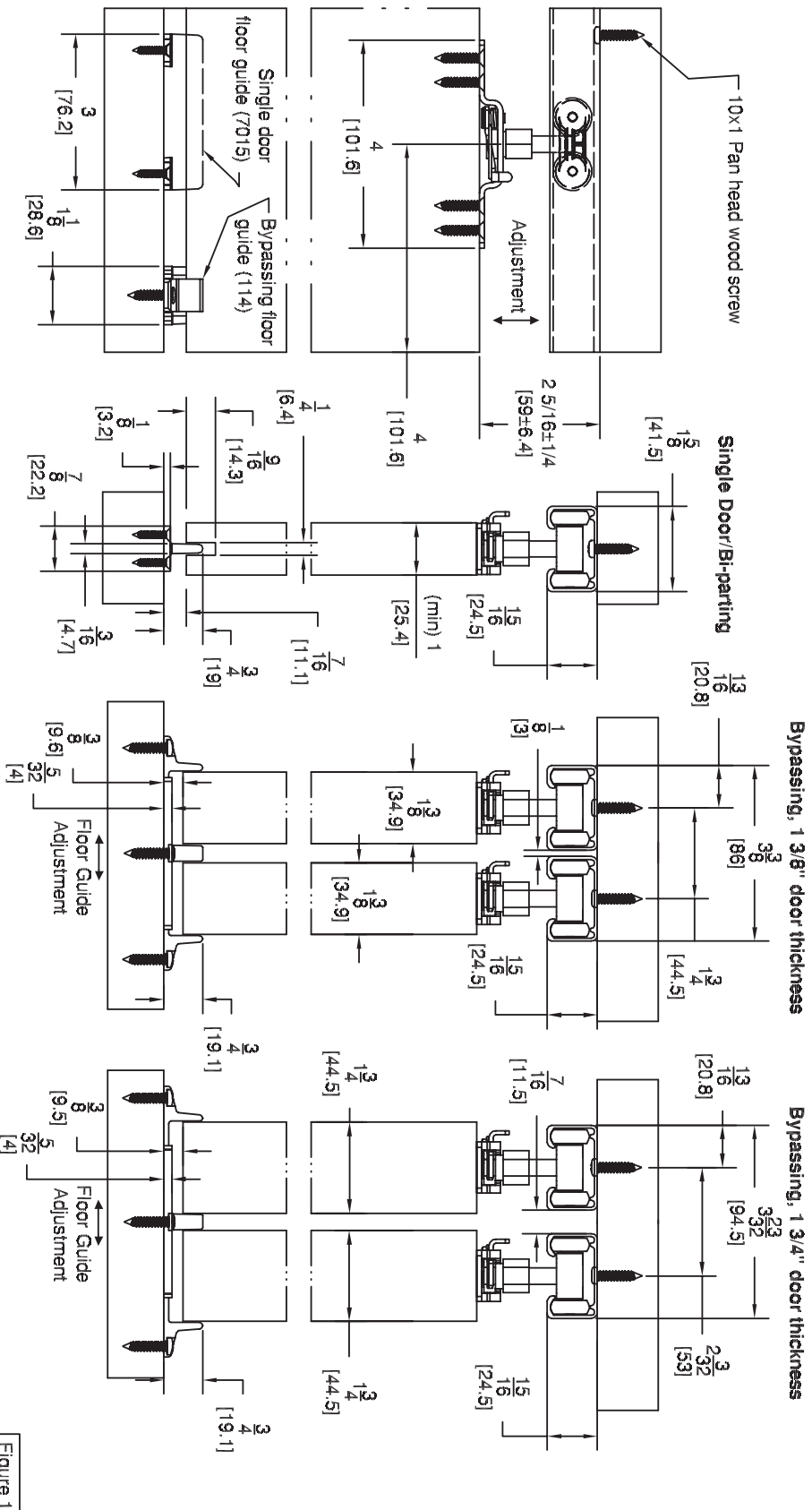
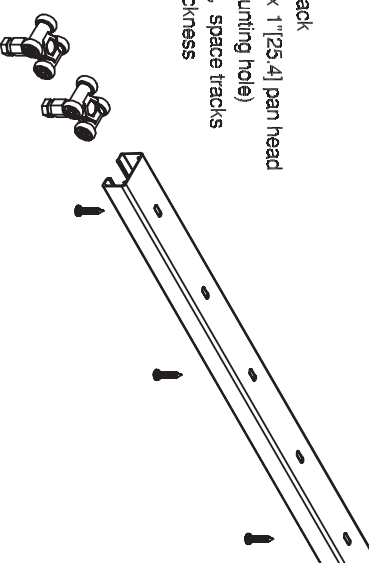


Figure 1

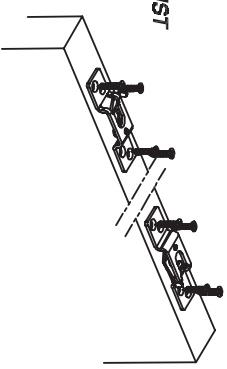
1 Track

- Insert carriers into the track
- Mount track using #10 x 1" [25.4] pan head screws (every other mounting hole)
- For by-pass application, space tracks per Figure 1 for door thickness



2 Door Preparation

- For single door, cut a groove in the door bottom (for the floor guide) per Figure 1
- Mount top plates to the top of the door(s) using #10 x 1" [25.4] flat head screws, as shown in Figure 1 (and illustration to the right). **The opening in the top plate MUST face opposite directions, towards the edge of the door.**



Assembly Instructions

Top Line Grant® 150E - up to 150 lbs/panel (68 kg/panel) for sliding/by-passing applications

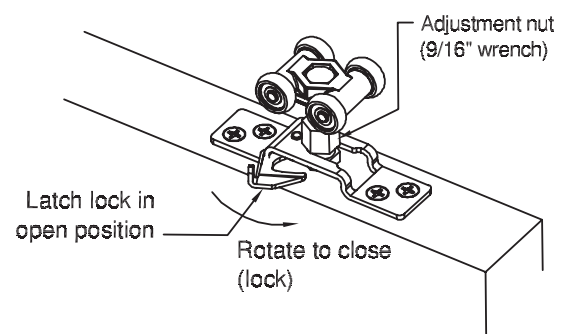
Technik für Möbel



3 Mounting Door(s)

- Bring carriers into position
- Rotate the latch lock into the open position and insert the adjustment nut into the opening of the top plate
- Height adjustment is performed by turning the adjustment nut with a 9/16" wrench (latch lock must be in open position for adjustment)

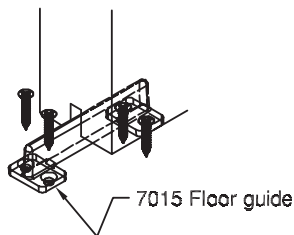
Important: Lock the adjustment nut into the top plate via the latch lock



4 Floor Guide

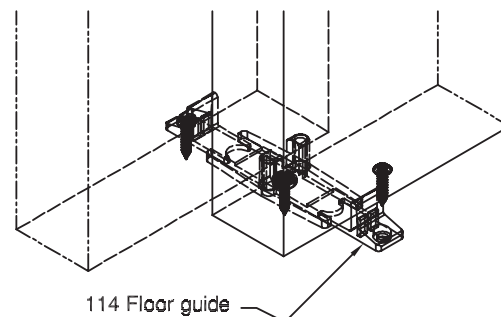
For single / bi-parting door

- Mount floor guide partly inside or as close to the door pocket as is convenient for fastening to the floor
- Align vertically with the center of the track and fasten with (4) #6 x 3/4" [19.1] screws



For bypassing doors

Align floor guide center piece vertically with the center of the track and mount with #8 x 3/4[19.1] screws (provide minimal door clearance for optimal operation)



! Warning

The Top Line Grant® 150E Series door system ("Door System") is designed to support cabinets, storage walls, partitions, or doors weighing up to 150 lbs (68 kg). The door system must be installed by attaching it to a framing member that is designed to support 150 lbs (68 kg) plus the weight of the Door System ("Total Support Weight"). Improper installation of the Door System, including, but not limited to, the use of unauthorized hardware, or the failure to install the door system by attaching it to a framing member that is designed to support the Total Support Weight, could result in serious injury or death. **DO NOT INSTALL THE DOOR SYSTEM TO A FRAMING MEMBER THAT IS NOT DESIGNED TO SUPPORT AT LEAST THE TOTAL SUPPORT WEIGHT. INSTALL THE DOOR SYSTEM ONLY IN THE MANNER SET FORTH IN THE DOOR SYSTEM'S DOOR HARDWARE INSTALLATION INSTRUCTIONS.**

**Toutes les instructions en français et espagnol sont disponibles sur nos sites Internet:
www.grantdoorhardware.com ou www.hettichamerica.com**

Para ver las traducciones al español o al francés de estas instrucciones, visite nuestro sitio web www.grantdoorhardware.com o www.hettichamerica.com

071-11-0138-00-0, Rev. B [INSTRUC 071-11-0138-00-0]



Hettich America L.P.
4295 Hamilton Mill Road, Suite 400
Buford, GA 30518
Technical Hotline: (800) 277-2222

Grant® 7000

SLIDING DOOR HARDWARE INSTALLATION INSTRUCTIONS

For Sliding Door Hardware Sets

71-111

Non-adjustable
Single sliding door
Top mounted
Door thickness: 3/4" to 1-3/4"
Capacity: 150 lbs
Headroom: 1-15/16"

71-222

Adjustment: 3/4" vertical
Single sliding door
Top mounted
Door thickness: 3/4" to 1-3/4"
Capacity: 150 lbs
Headroom: 2-1/8" min.

71-034

Adjustment: 1/4" vertical
Single sliding door
Side mounted
Door thickness: 3/4"
Capacity: 150 lbs
Headroom: 1-7/8" min.

71-138

Adjustment: 1/4" vertical
Single sliding door
Side mounted
Door thickness: 1-3/8"
Capacity: 150 lbs
Headroom: 1-7/8" min.

72-034, F72-034

Adjustment: 1/4" vertical
By-passing sliding door
Side mounted
Door thickness: 3/4"
Capacity: 150 lbs, each door
Headroom: 1-7/8" min.

72-118

Adjustment: 1/4" vertical
By-passing sliding door
Side mounted
Door thickness: 1-3/8" each
Capacity: 150 lbs, each door
Headroom: 1-7/8" min.

72-138, F72-138

Adjustment: 1/4" vertical
By-passing sliding door
Side mounted
Door thickness: 1-3/8"
Capacity: 150 lbs, each door
Headroom: 1-7/8" min.

72-134, F72-134

Adjustment: 3/4" vertical
By-passing sliding door
Side mounted
Door thickness: 1-3/4" each
Capacity: 150 lbs, each door
Headroom: 1-7/8" min.

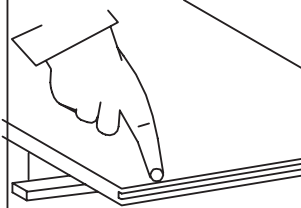
72-222

Adjustment: 3/4" vertical
By-passing sliding door
Top mounted
Door thickness: 3/4"
Capacity: 150 lbs
Headroom: 2-1/8" min.

72-223

Adjustment: 3/4" vertical
By-passing sliding door
Top mounted
Door thickness: 1" to 1-3/8"
Capacity: 150 lbs
Headroom: 2-1/8" min.

1.



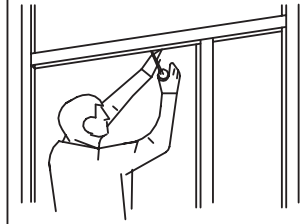
FOR GROOVED INSTALLATIONS ONLY

Cut a continuous saw slot in center of bottom door 1/4" wide x 7/8" deep.

These instructions assume that a proper frame has been constructed

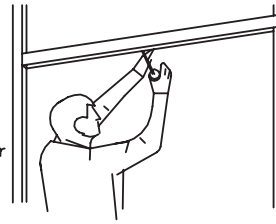
NOTE: Since these instructions apply to twelve different styles, note your set number and follow only those steps pertaining to it.

2.



71-111, 71-222
71-034, 71-138

Mount track to header (with opening in carrier housing facing front) using #8 x 1-1/4" R.H.W.S. supplied. Note that one end track is notched, so that No. 7000 carriers may be inserted after track is mounted.

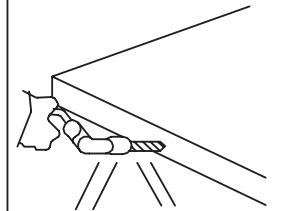


72-034, 72-118, F72-034
72-138, 72-134, F72-138
72-222, 72-223, F72-134

Mount track to header (with opening in carrier housing facing front) using #8 x 1-1/4" R.H.W.S. supplied. Note that one end track is notched, so that No. 7000 carriers may be inserted after track is mounted.

F72-134 } Carrier opening
F72-034 } should be
F72-138 } facing rear.

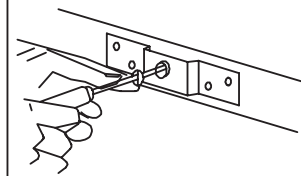
3.



71-222, 72-222, 72-223

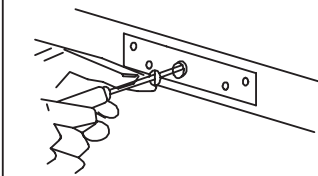
Drill a 3/8" diameter hole in top of door on center line of door thickness (approx. 1-1/2" deep) and approximately 5" from either end of door.

4.



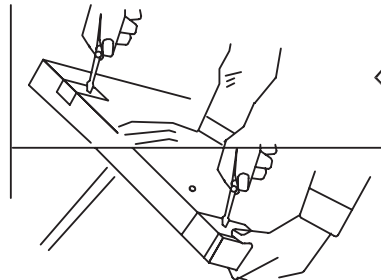
71-111

Attach No. 7111 Top Plates to top of door, using #8 x 1-1/4" R.H.W.S. supplied. Bolt at center of top plate should be approximately 5" from either end of door.



71-222, 72-222
72-223

Place No. 7222 Top Plates on door, with bottom of bolt inserted in hole. Fasten plate to door with #8 x 1-1/4" R.H.W.S. supplied.



71-034, 71-138
72-034, 72-118
72-138, 72-134

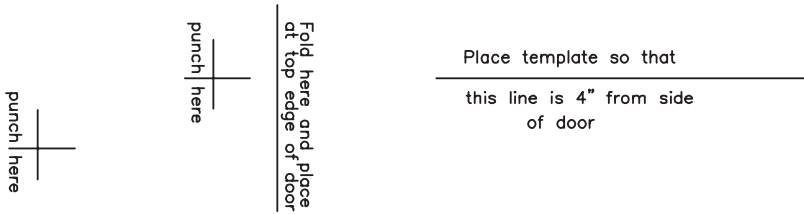
Locate holes on upper left and right hand corners of doors using Template A. See instructions for mounting location on template. Attach aprons.

On sets No. 72-118 & 72-134, mount 3/4" aprons (No. 7034) on front door. 3/4" aprons require #8 x 3/4" F.H.W.S., 1-3/8" aprons require #8 x 1-1/4" F.H.W.S.

071-11-0019-00-0, Rev. B [INSTRUC]071-11-0019-00-0

TEMPLATE A

CUT ALONG DOTTED LINE



Hettich America L.P.
4295 Hamilton Mill Road, Suite 400
Buford, GA 30518
Technical Hotline: (800) 277-2222

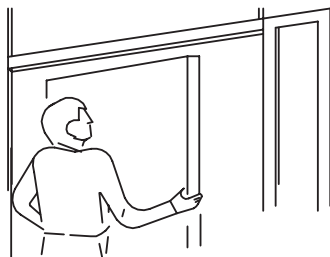
Page 2 of 2

Grant® 7000

SLIDING DOOR HARDWARE
INSTALLATION INSTRUCTIONS

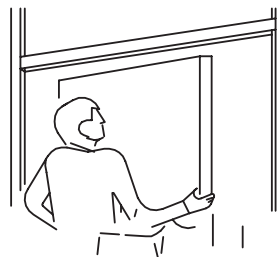
071-11-0019-00-0, Rev. B [INSTRUC]071-11-0019-00-0]

5.



◀ 71-111, 71-222
71-034, 71-138

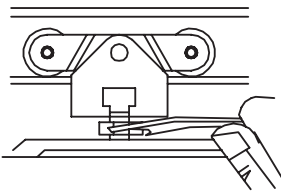
Lift door so that heads of bolts enter into and rest in the cups in the carriers.



◀ 72-034, 72-118, F72-034
72-138, 72-134, F72-138
72-222, 72-223, F72-134

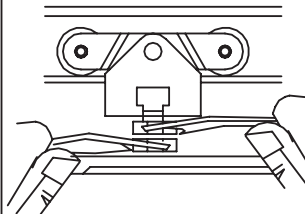
Lift doors so that heads of bolts enter into and rest in cup in the carriers. Door furthest from you must be hung first.

6.



◀ 71-111, 71-034, 71-138
72-034, 72-118, 72-138
72-134

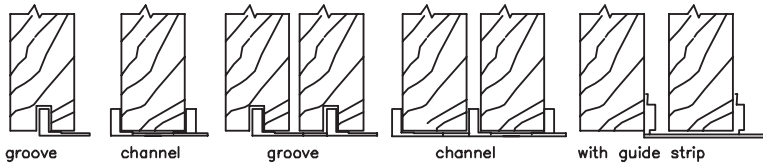
Raise lock nut to light contact on shoulder of bolt. Do not tighten excessively. Play between apron and carriers is necessary for best operation.



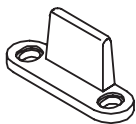
◀ 71-222, 72-222
72-223

Raise to nut as far as possible and tighten using 1/2" wrench supplied. To prevent bolt from rotating, place 1/2" wrench on middle nut.

7.

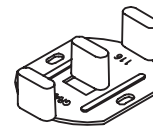


groove channel groove channel with guide strip



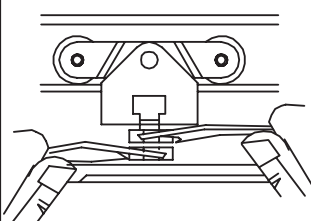
Floor Guide

Slide door(s) to fully closed position. Open vertical members of guide for groove, channel or guide strip application as shown on sectional views. Half of guide is inserted under door, half projecting. Fasten extended portion with #6 x 3/4" F.H.W.S. provided. Move door(s) to opposite side and fasten remaining portion. Snap off excess portion of bottom strip at convenient groove. Strip extension on by-passing doors always projects to the rear.



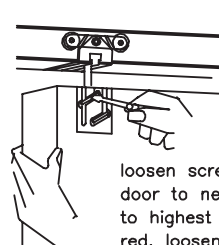
No.116 Floor Guide: For by-passing installations. Non-adjustable for 3/4" doors.
No.117 Floor Guide: For by-passing installations. Non-adjustable for 1-3/8" doors.
No.118 Floor Guide: For by-passing installations. Non-adjustable for 1-3/4" doors. Only 2 screws required. All steel with nylon covered steel uprights.

8.



◀ 71-222, 72-222
72-223

Be certain that bottom of door clears the floor by at least 3/16". This dimension, as well as headroom dimension, can be regulated by lowering the lowest lock nut above the plate and turning middle nut on bolt until door is in desired position. Retighten bottom nut against plate, holding center nut with wrench.



◀ 71-034, 71-138
72-034, 72-118
72-138, 72-134

If additional clearance is required at bottom of doors

loosen screws in adjusting slots and raise door to next higher notch, or if necessary to highest notch. If top clearance is required, loosen screws and lower door to next lower notch, or if necessary to lowest notch. Tighten both screws.



Hettich America L.P.
4295 Hamilton Mill Road, Suite 400
Buford, GA 30518
Technical Hotline: (800) 277-2222

Grant® 1210/1230

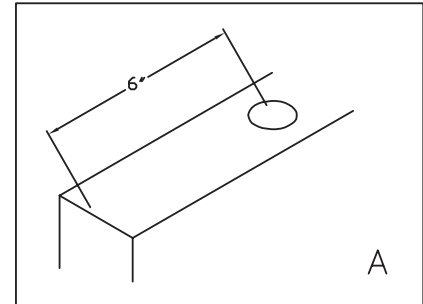
SLIDING DOOR HARDWARE
Capacity: Up to 225 lbs, 325 lbs per door

*Minimum headroom distance from header to top of door: 3-1/4"

*Vertical adjustment available: 1/2"

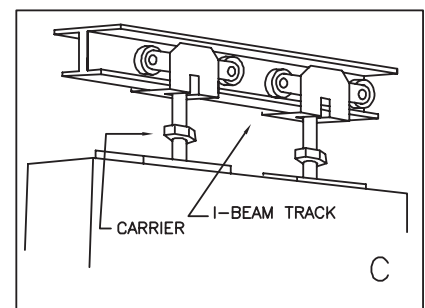
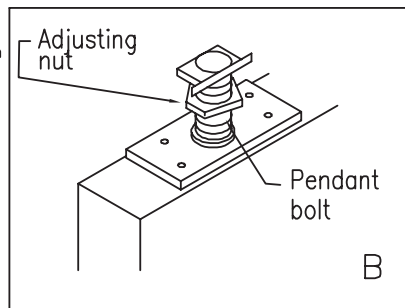
1. Drill two 1/2" diameter holes, 3/4" deep on center of door, 4" to 6" from either side. (See A)

On center line of door thickness, cut a continuous 1/4" wide by 9/16" deep slot in bottom of door for door guide.



2. Slide carriers on to track, opening in carrier housing facing you. Mount track to holder using #12 x 1-1/4" R.H.W.S. supplied.

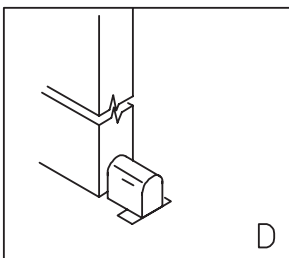
3. Screw the 3/8" pendant bolts into top plates allowing bolts to project approximately 1/4" below the plates. Place top plates on door with bottom of bolt inserted into the hole. Fasten plates to door using #12 x 1-1/4" R.H.W.S. supplied (See B and C).



Also applies to two wheel carrier

4. FOR SINGLE OR BI-PARTING DOORS ONLY

- A. Mount floor guide partly inside or as close as to the door pocket as is convenient for fastening to floor. Align with track and fasten with (4) #6 x 3/4" screws provided (See D). Lift door placing saw cut in the bottom over the floor guide track.



Insert bolt heads into carrier opening. Bottom of door should clear fastening flange of floor guide. This height can be adjusted by turning the center nut on the pendant bolt.

- B. After bottom clearance is approved (and horizontal adjustment made if required), tighten locking nuts against carriers and top plates.

4. FOR BYPASSING DOORS ONLY

(4 wheel carrier is shown. Instructions pertain to 2 wheels carriers as well)

- A. Lift door and insert bolt heads into carrier opening. Bottom of door should clear floor by at least 3/16". This dimension can be adjusted by turning the center nut on the pendant bolt.

- b. After bottom clearance is approved (and horizontal adjustment made, if required), tighten lock nuts against carriers and top plates.

Slide closest door to jamb. Place one-half of floor guide into the slot at the bottom of the door. Fasten with 2-#6 x 3/4" F.H.W.S. provided (See D).

Slide the same door to the opposite jamb and fasten the other end of the floor guide with 2-#6 x 3/4" F.H.W.S. Repeat the procedure with the second door.

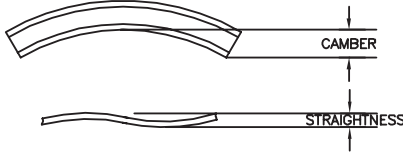


Hettich America L.P.
4295 Hamilton Mill Road, Suite 400
Buford, GA 30518
Technical Hotline: (800) 277-2222

Grant® 5000

HANGERS
INSTALLATION INSTRUCTIONS

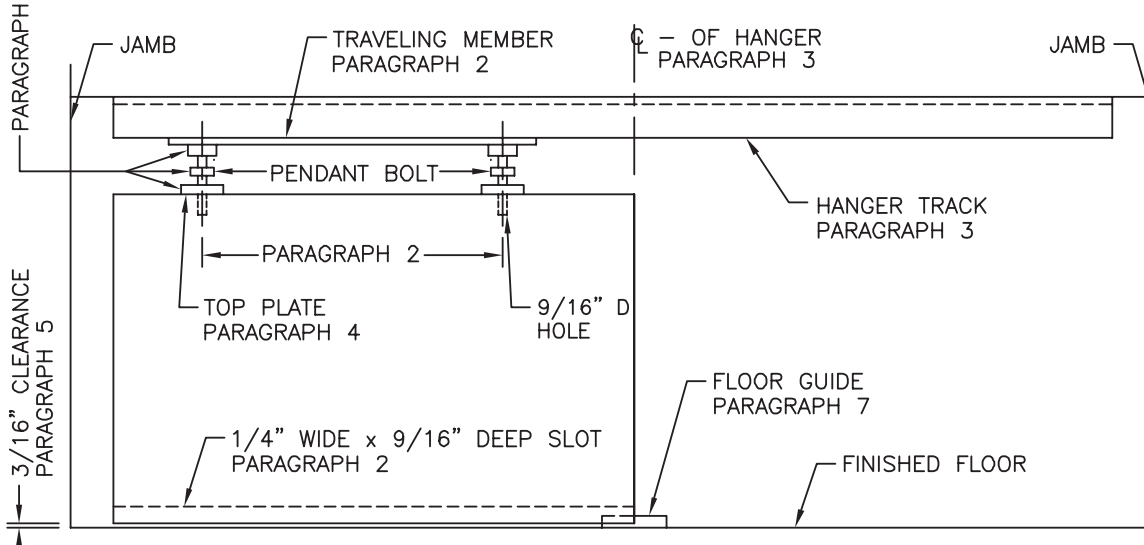
INSTALLATION LIMITS FOR DOOR HARDWARE CHANNELS/TRACKS



| | |
|--------------|------------------------------|
| CAMBER | - .015"/FT, 7/32"(.218) MAX. |
| STRAIGHTNESS | - .015"/FT, 7/32"(.218)MAX. |
| TWIST | - 1"/FT, 7" (3/32") MAX. |

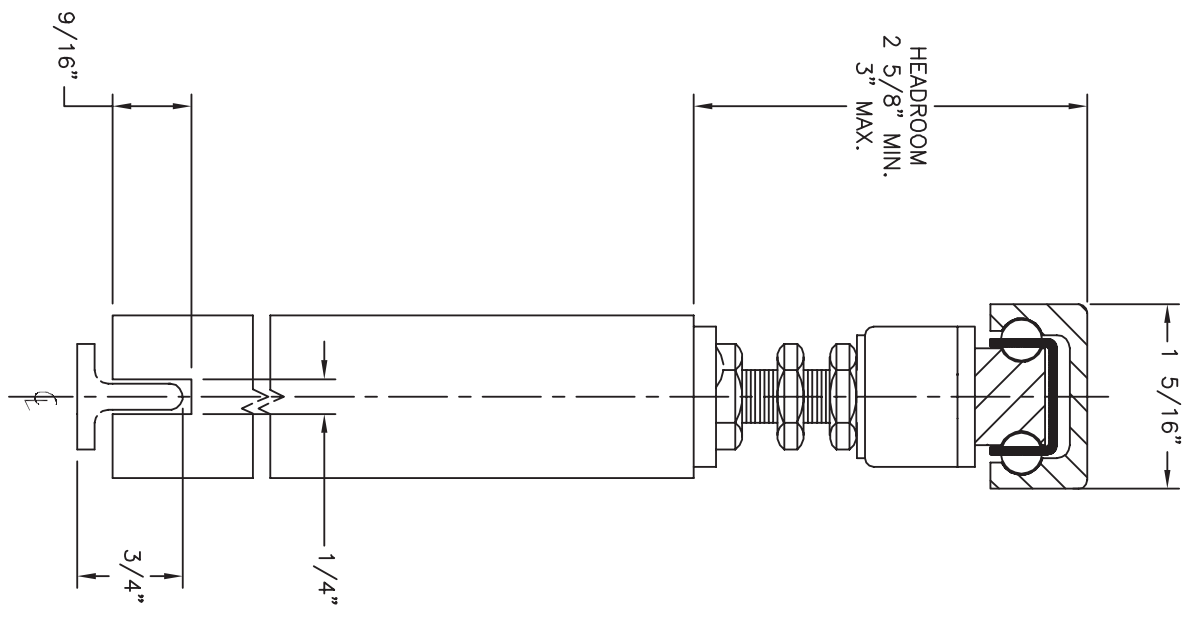
When used in a pocket frame, the installer must supply a positive rubber stop inside the pocket. The doors are to strike this stop before the track reaches the safety stop screw in the channel.

5150 - when used in a set for bi-parting doors the hardware has to be ordered with heavy duty bumpers.

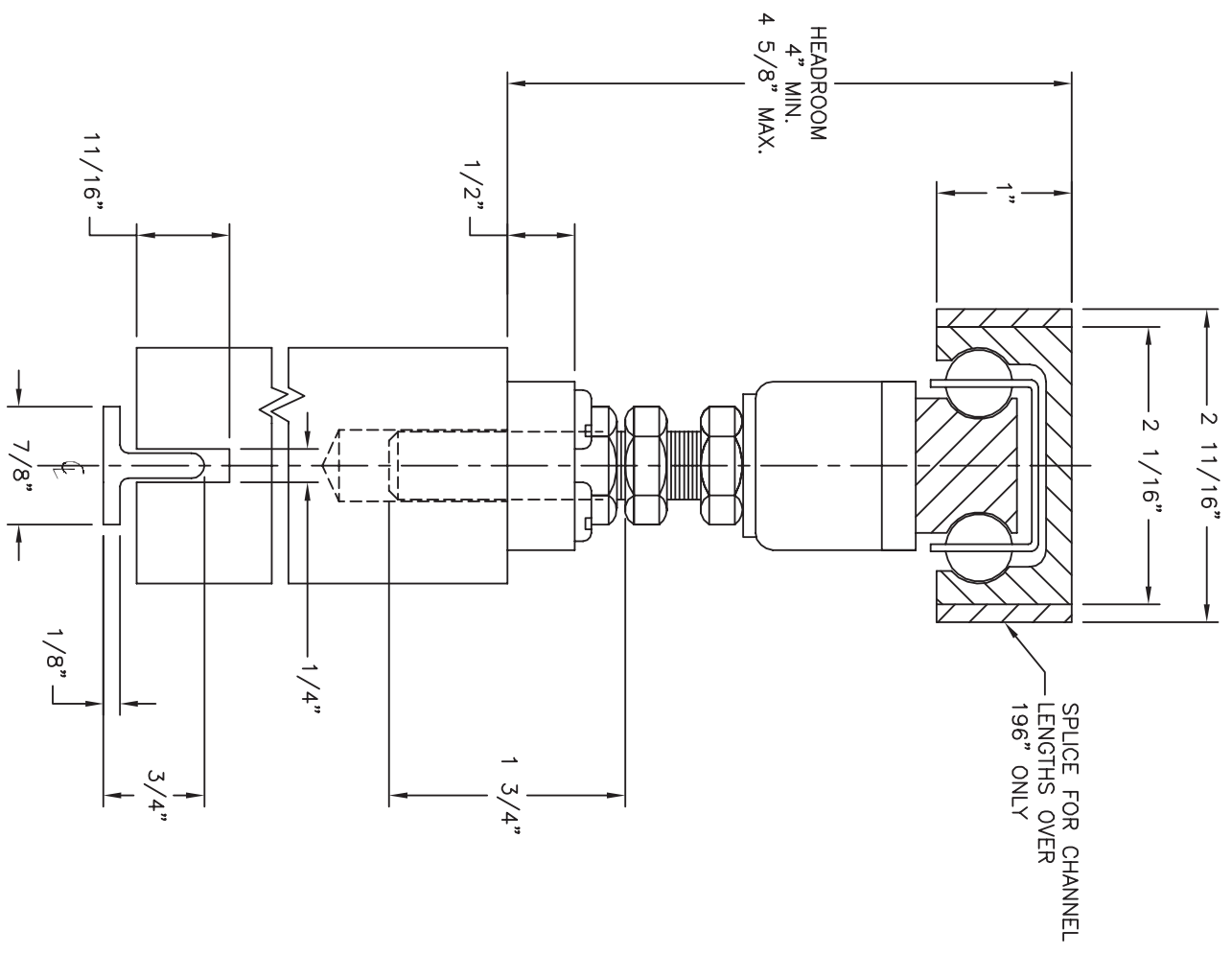


1. If your new hardware has a splice assembly, it needs to be prepared before installing as following:
 - A) Lay out the two Outer Channels on a flat clean surface, lining up the splice plates on one Outer Channel with the other one, leaving approximately a 6 in gap in between. If your hardware has a ball cage splice, extend both ball cages out of outer channels and line up the ball cage splice plates on one side with the 2nd ball cage. Use supplied screws to connect both ball cages. Otherwise proceed with step 1B
 - B) Slide both Outer Channels together, line up splice plates on the first one with the 2nd Outer Channel, bolt together with supplied screws.
 - C) Set the ball cage by moving track completely to one side of the hardware, then to the other, making sure that the track contacts the end stop on either side. This initial ball cage setting procedure will ensure that full travel is achieved.
 - D) Check for correct alignment BEFORE installation by moving the inner track from one end to the other. If excessive resistance is felt, loosen Outer Channel splice screws and adjust alignment.
2. Prepare door for receiving hardware as follows: On center line of door thickness at top, locate and bore two (2) holes 9/16" in diameter spaced to coincide with the pendant bolt bracket spacings on the traveling members of the hanger. Cut a continuous 1/4" wide x 9/16" deep slot in bottom of door for floor guide.
3. Locate position of hanger track on overhead support so that rear edge of door when closed, lines up with longitudinal center line of hanger track. Attach track in this position with screws provided.
4. Position top plates on top of door so that tapped holes are directly over holes previously bored in top of door. Attach top plates with screws provided. Insert pendant bolts into threaded holes of top plates.
5. With pendant bolts in top of door, raise door and insert pendant bolt heads into slots of hanger brackets. By means of turning the stationary nut on pendant bolt to left or right, raise or lower the door so that a clearance of 3/16" minimum is obtained between bottom of door and saddle.
6. After door has been adjusted for bottom clearance, tighten jam nuts down on top plates. Adjust one pendant bolt at a time for lateral clearance, tighten up jam nuts against bottom of hanger brackets. Door should now travel back and forth freely..
7. Slide door to fully closed position and place floor guide on saddle so that one-half of guide is underneath the door while the other half is projecting beyond the back edge of the door. In this position anchor guide securely to the floor with the screws provided.

5150



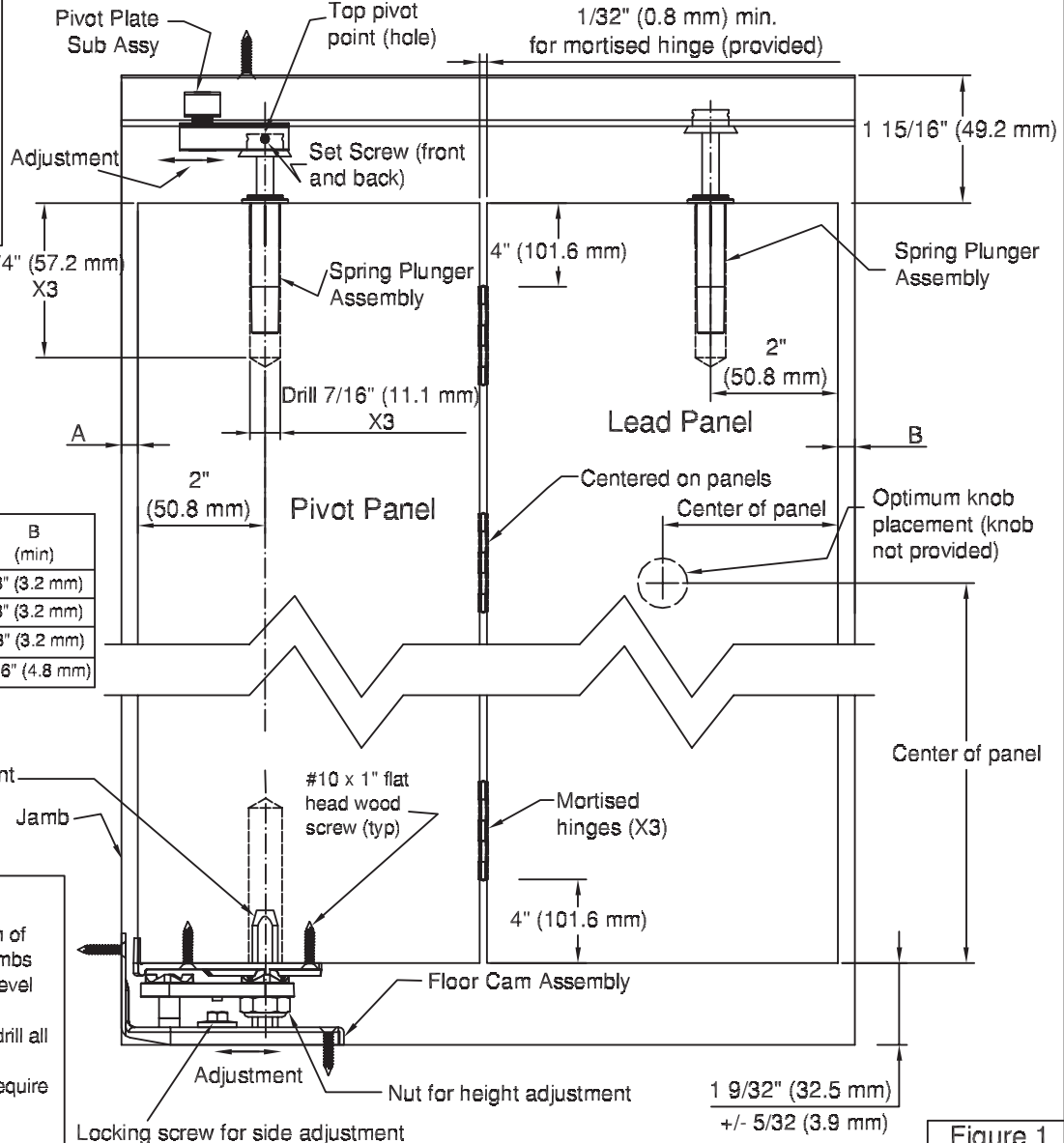
5300



Assembly Instructions
Wing Line Grant® BF25 - up to 25 lbs/panel (11 kg) for
bi-fold application

071-11-0136-00-0, Rev. E [INSTRUC/071-11-0136-00-0]

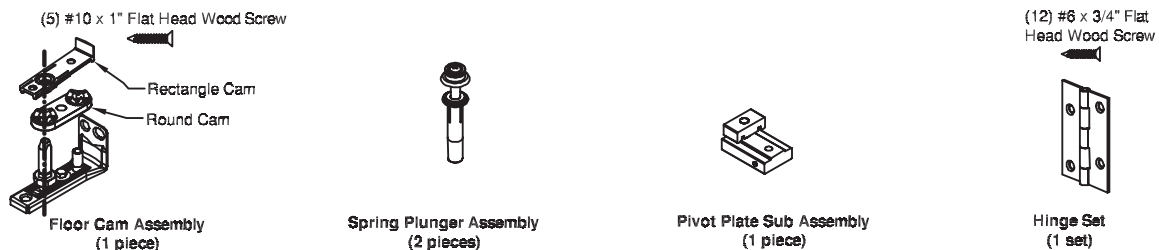
- Tools required:**
 7/16" drill bit
 Phillips head screwdriver
 5/16" wrench
 11/16" wrench
 5/32" hex key
 1/16" hex key



| Panel thickness | A (min) | B (min) |
|-----------------|----------------|----------------|
| 3/4" - 7/8" | 3/16" (4.8 mm) | 1/8" (3.2 mm) |
| 1" - 1 3/8" | 1/4" (6.4 mm) | 1/8" (3.2 mm) |
| 1 1/2" - 1 5/8" | 5/16" (7.9 mm) | 1/8" (3.2 mm) |
| 1 3/4" | 3/8" (9.5 mm) | 3/16" (4.8 mm) |

- Note:**
1. To assure proper operation of the system, header and jambs (door opening) should be level and square.
 2. It is recommended to pre-drill all screw holes.
 3. Warpage or settling may require future re-adjustments.

Figure 1



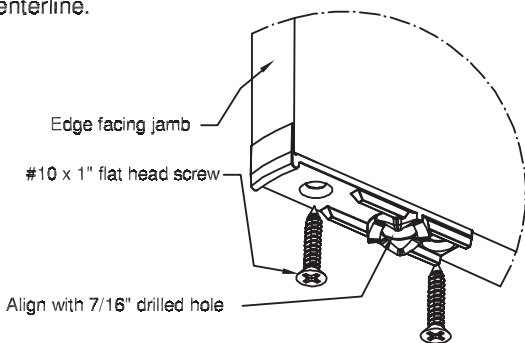
WARNING

The Grant 25 bi-folding door hardware system is designed to support folding panels up to 25 lbs (11 kg) per panel. The door system must be installed by attaching it to a framing member that is designed to support the total weight of door panels plus the weight of the door system ("Total Support Weight"). Improper installation of the door system, including, but not limited to, the use of unauthorized hardware, or the failure to install the door system by attaching it to a framing member that is designed to support the Total Support Weight, could result in serious injury or death. **DO NOT INSTALL THE DOOR SYSTEM TO A FRAMING MEMBER THAT IS NOT DESIGNED TO SUPPORT AT LEAST THE TOTAL SUPPORT WEIGHT. INSTALL THE DOOR SYSTEM ONLY IN THE MANNER SET FORTH IN THE DOOR SYSTEM'S DOOR HARDWARE INSTALLATION INSTRUCTIONS.**

071-11-0136-00-0, Rev. E [INSTRUC/071-11-0136-00-0]

1. Prepare pivot panel (first panel)

Drill top and bottom pivot holes in pivot panel on centerline (per Fig. 1, using the rectangle cam to mark the center of the holes). Attach rectangle cam to the bottom of the panel on centerline.



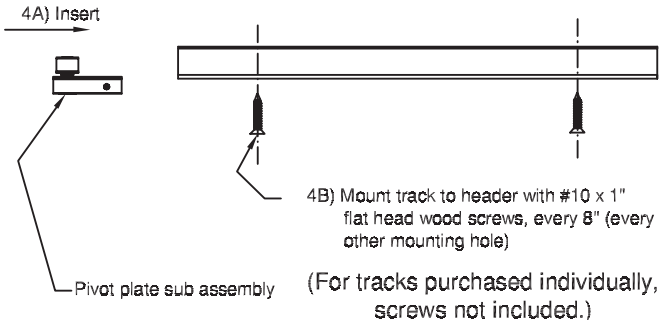
2. Prepare lead panel (second panel)

Drill hole in top of lead panel on centerline (Per Fig. 1).

3. Hinge panels

Hinge pivot and lead panel together using #6 x 3/4" flat head screws. Space hinges per Fig. 1.

4. Install track



5. Install hardware

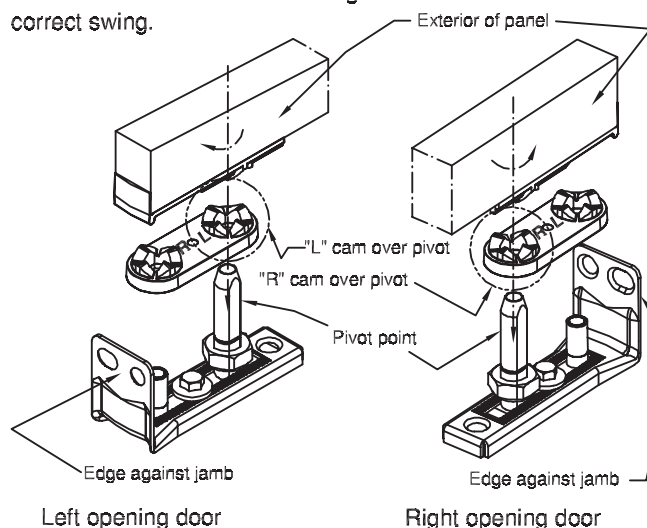
- Position top pivot point hole of pivot plate sub assembly at the correct dimension from the jamb (per Fig. 1) and secure using 5/32" hex key.
- Adjust lower pivot point of floor cam assembly to correct dimension from the jamb (per Fig. 1). Making sure the top pivot point and lower pivot point are plumb, mount floor cam assembly using (3) #10 x 1" flat head screws.

Toutes les instructions en français et espagnol sont disponibles sur nos sites Internet:
www.grantdoorhardware.com ou www.hettichamerica.com

Para ver las traducciones al español o al francés de estas instrucciones, visite nuestro sitio web
www.grantdoorhardware.com o www.hettichamerica.com

6. Orientation of round cam for "stay open / stay close" mechanism

Orient the round cam and rectangle cam as shown for the correct swing.

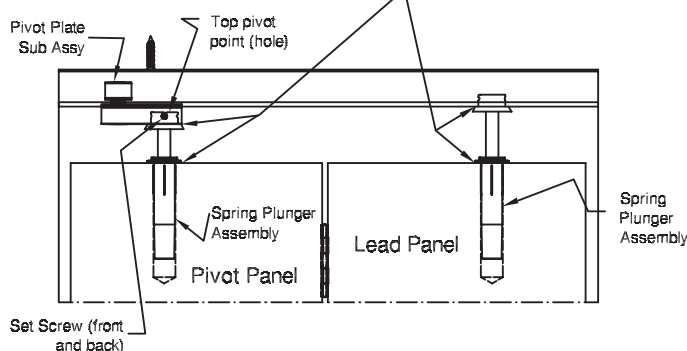


7. Install panels

- Install one spring plunger into top (drilled) hole of pivot panel and one spring plunger into top (drilled) hole of lead panel.
- Place hole in bottom of pivot panel over the floor cam stud.
- Place pivot panel spring plunger into the top pivot plate hole. Install spring plunger of lead panel into track. Adjust door height to be sure that spring plungers are seated correctly as shown below.

****IMPORTANT****

To ensure safe operation, finished door height adjustment must ensure that the flanges of pivot panel spring plunger assembly seat against bottom edge of pivot plate sub assembly and top of door, and that the flanges of lead panel spring plunger assembly seat against bottom edge of the track and top of door.



- Secure spring plunger assembly at top pivot point with (2) set screws using a 1/16" hex key (set screws should "dig into" the plastic end of the spring plunger assembly to secure).
- Adjust panels to optimize operation via adjustment nut of floor cam assembly and side adjustment of floor cam assembly. After adjustments are made, tighten locking screw for side adjustment of floor cam assembly.
- Mount door knob as shown on lead panel.

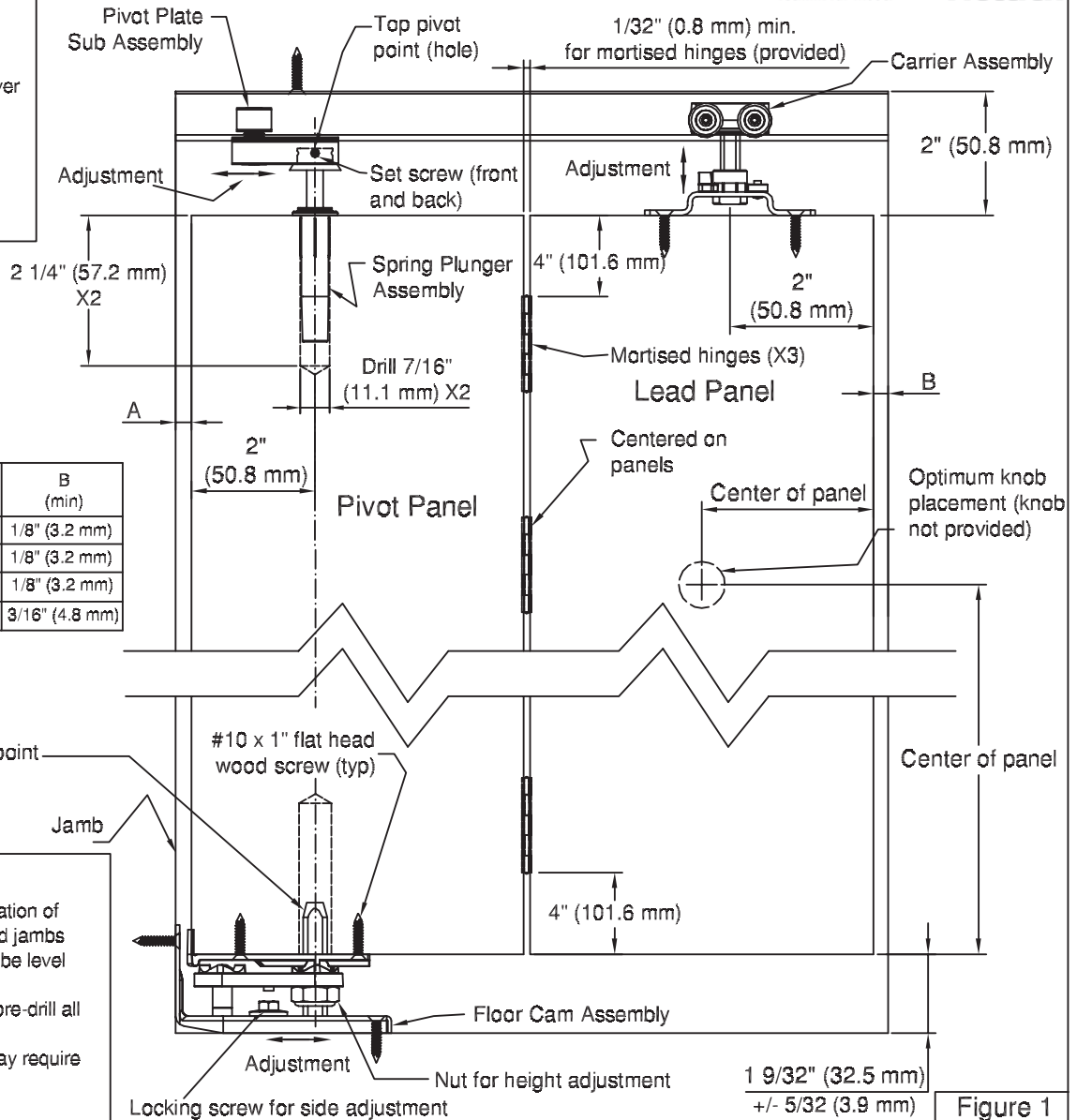
Assembly Instructions

Wing Line Grant® BF50 - up to 50 lbs/panel (23 kg) for bi-fold application up to 30 lbs/panel (14 kg) for multi-fold application, maximum 6 panels one-way

Technik für Möbel



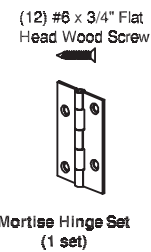
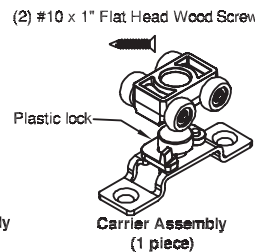
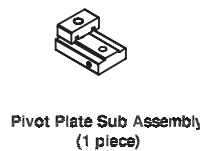
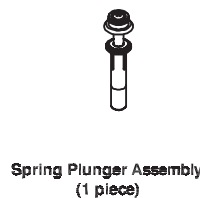
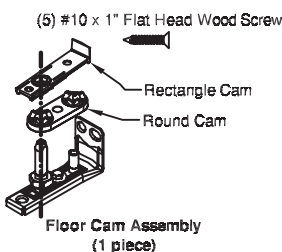
Tools required:
 7/16" drill bit
 Phillips head screwdriver
 1/4" wrench
 5/16" wrench
 11/16" wrench
 5/32" hex key
 1/16" hex key



Note:

- To assure proper operation of the system, header and jambs (door opening) should be level and square.
- It is recommended to pre-drill all screw holes.
- Warpage or settling may require future re-adjustments.

Figure 1



WARNING

The Grant 50 folding door hardware system is designed to support folding panels up to 50 lbs (23 kg) per panel in a bi-folding application and 30 lbs (14 kg) per panel in a multi-fold application (4 or 6 panels). The door system must be installed by attaching it to a framing member that is designed to support the total weight of door panels plus the weight of the door system ("Total Support Weight"). Improper installation of the door system, including, but not limited to, the use of unauthorized hardware, or the failure to install the door system by attaching it to a framing member that is designed to support the Total Support Weight, could result in serious injury or death. **DO NOT INSTALL THE DOOR SYSTEM TO A FRAMING MEMBER THAT IS NOT DESIGNED TO SUPPORT AT LEAST THE TOTAL SUPPORT WEIGHT. INSTALL THE DOOR SYSTEM ONLY IN THE MANNER SET FORTH IN THE DOOR SYSTEM'S DOOR HARDWARE INSTALLATION INSTRUCTIONS.**

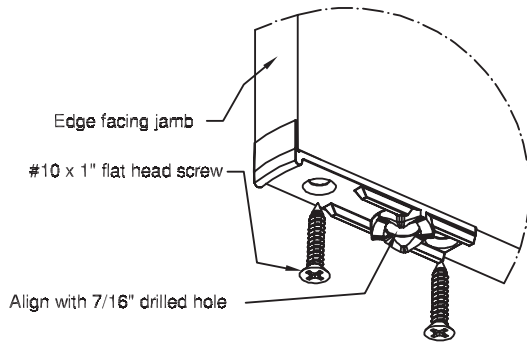
071-11-0134-00-0, Rev. D [INSTRUC/071-11-0134-00-0]

Assembly Instructions, Wing Line Grant® BF50

071-11-0134-00-0, Rev. D [INSTRUC/071-11-0134-00-0]

1. Prepare pivot panel (first panel)

Drill top and bottom pivot holes in pivot panel on centerline (per Fig. 1, using the rectangle cam to mark the center of the holes). Attach rectangle cam to the bottom of the panel on centerline.

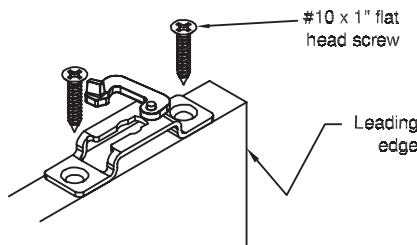


5. Install hardware

- Position top pivot point hole of pivot plate sub assembly at the correct dimension from the jamb (per Fig. 1) and secure using 5/32" hex key.
- Adjust lower pivot point of floor cam assembly to correct dimension from the jamb (per Fig. 1). Making sure the top pivot point and lower pivot point are plumb, mount floor cam assembly using (3) #10 x 1" flat head screws.

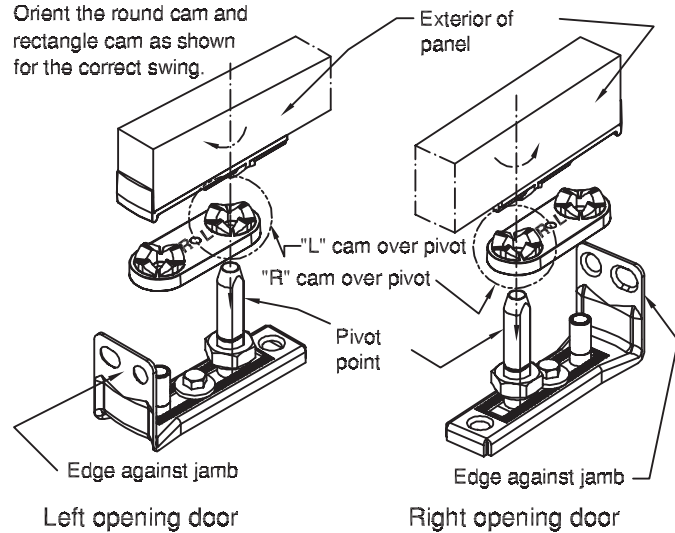
2. Prepare lead panel (second panel)

Mount the top plate of the carrier assembly on panel centerline (per Fig. 1). (Note the orientation of the top plate opening to the leading edge.)



6. Orientation of round cam for "stay open / stay close" mechanism

Orient the round cam and rectangle cam as shown for the correct swing.

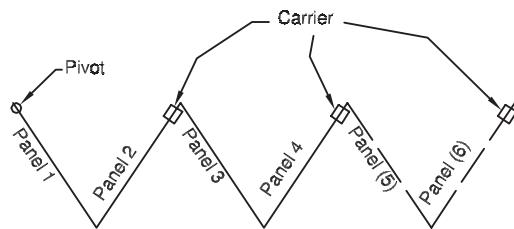


3. Hinge panels

Hinge pivot and lead panel together using #6 x 3/4" flat head screws. Space hinges per Fig. 1.

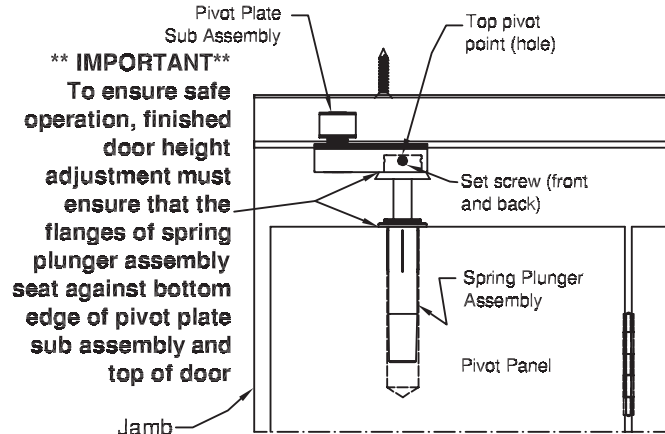
Note (for multi-fold installation):

- Mark hinge screw locations between panels 2 and 3.
- Follow instructions for bi-fold installation (panels 1 and 2).
- After adjustments for bi-fold installation, mount carrier(s) to panel 4 (and panel 6 if required), bring into position, and install hinge screws between panels 2 and 3.



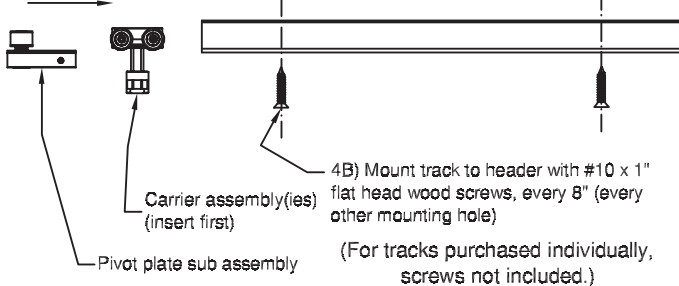
7. Install panels

- Install spring plunger into top (drilled) hole of pivot panel.
- Place hole in bottom of pivot panel over the floor cam stud.
- Place spring plunger into the top pivot plate hole and adjust door height to be sure spring plunger is seated correctly as shown below.



4. Install track

4A) Insert



- Secure spring plunger assembly with (2) set screws using a 1/16" hex key (set screws should "dig into" the plastic end of the spring plunger assembly to secure).
- (Make sure locking screw for side adjustment of floor cam assembly is not tight at this point.)
- Install carrier housing into top plate and lock in with plastic lock. (Lock must be open for adjustment.)
- Adjust panels to optimize operation via pendant bolt of carrier assembly, adjustment nut of floor cam assembly, and side adjustment of floor cam assembly. After adjustments are made, tighten locking screw for side adjustment of floor cam assembly.
- Mount door knob as shown on lead panel. (For multi-fold installations mount knob on each panel attached to a carrier.)

Toutes les instructions en français et espagnol sont disponibles sur nos sites Internet: www.grantdoorhardware.com ou www.hettichamerica.com

Para ver las traducciones al español o al francés de estas instrucciones, visite nuestro sitio web www.grantdoorhardware.com o www.hettichamerica.com

Assembly Instructions
Wing Line Grant® BF150 - up to 150 lbs/panel
(68 kg) for bi-fold application up to 75 lbs/
panel (34 kg) for multi-fold application, maximum 6 panels one-way

Technik für Möbel



Tools required:

- 1/2" drill bit
- Phillips head screwdriver
- 5/16" wrench
- 9/16" wrench
- 1 1/16" wrench
- 5/32" hex key
- 1/16" hex key

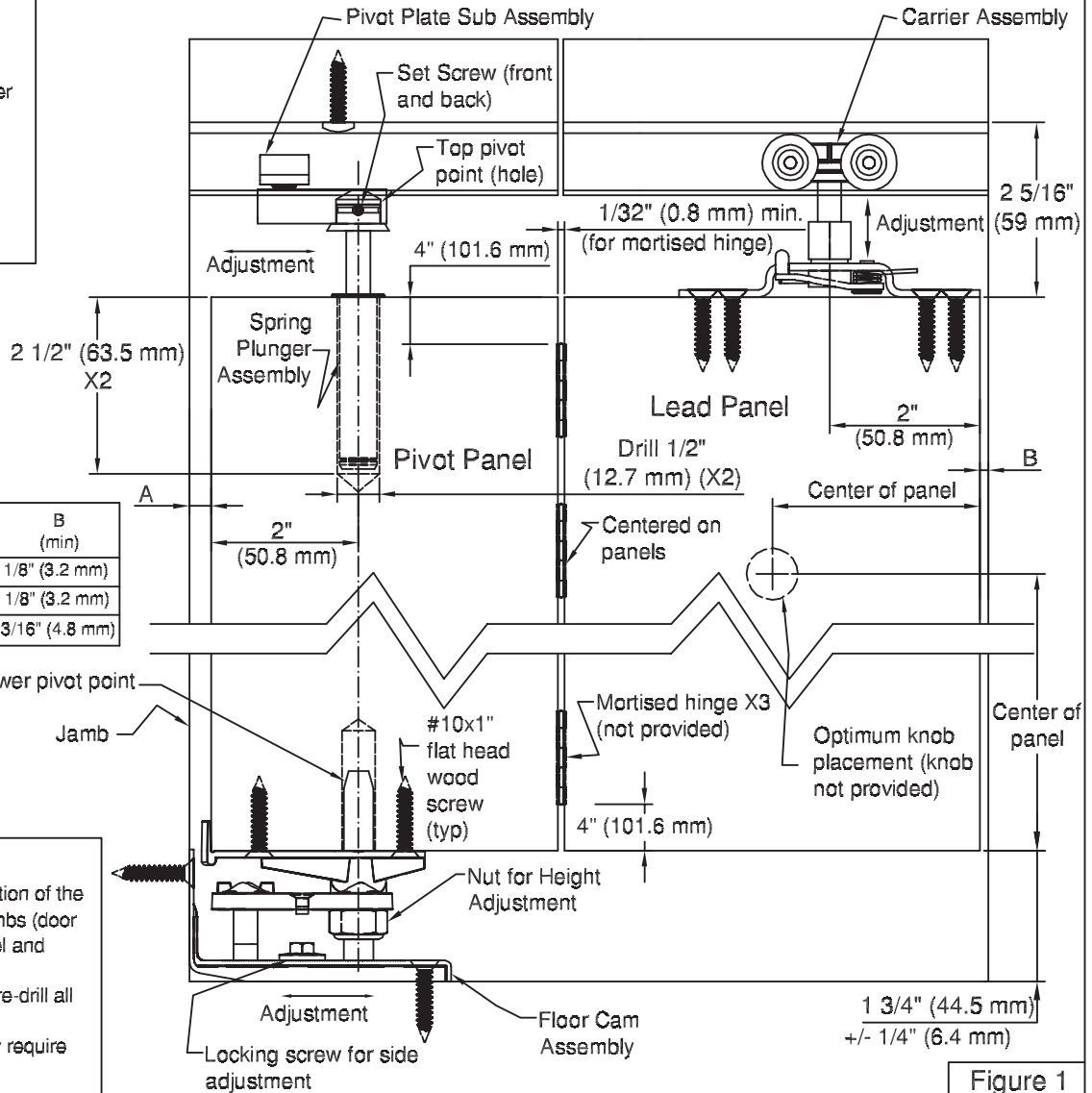
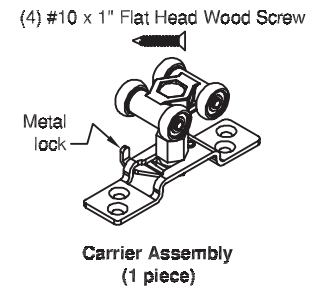
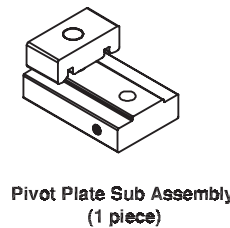
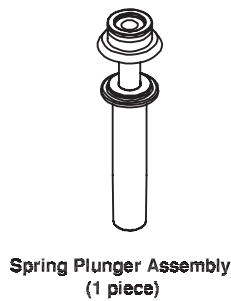
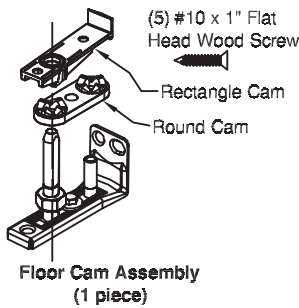


Figure 1



WARNING

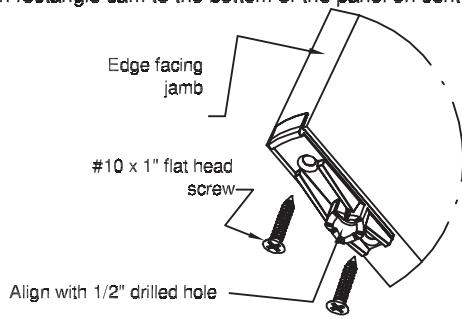
The Grant 150 folding door hardware system is designed to support folding panels up to 150 lbs (68 kg) per panel in a bi-folding application and 75 lbs (34 kg) per panel in a multi-fold application (4 or 6 panels). The door system must be installed by attaching it to a framing member that is designed to support the total weight of door panels plus the weight of the door system ("Total Support Weight"). Improper installation of the door system, including, but not limited to, the use of unauthorized hardware, or the failure to install the door system by attaching it to a framing member that is designed to support the Total Support Weight, could result in serious injury or death. **DO NOT INSTALL THE DOOR SYSTEM TO A FRAMING MEMBER THAT IS NOT DESIGNED TO SUPPORT AT LEAST THE TOTAL SUPPORT WEIGHT. INSTALL THE DOOR SYSTEM ONLY IN THE MANNER SET FORTH IN THE DOOR SYSTEM'S DOOR HARDWARE INSTALLATION INSTRUCTIONS.**

071-11-0135-00-0, Rev. E [INSTRUC/071-11-0135-00-0]

Assembly Instructions, Wing Line Grant® BF150

1. Prepare pivot panel (first panel)

Drill top and bottom pivot holes in pivot panel on centerline (per Fig. 1, using the rectangle cam to mark the center of the holes). Attach rectangle cam to the bottom of the panel on centerline.

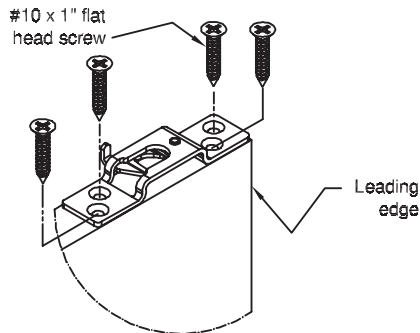


5. Install hardware

- Position top pivot point hole of pivot plate sub assembly at the correct dimension from the jamb (per Fig. 1) and secure using 5/32" hex key.
- Adjust lower pivot point of floor cam assembly to correct dimension from the jamb (per Fig. 1). Making sure the top pivot point and lower pivot point are plumb, mount floor cam assembly using (3) #10 x 1" flat head screws.

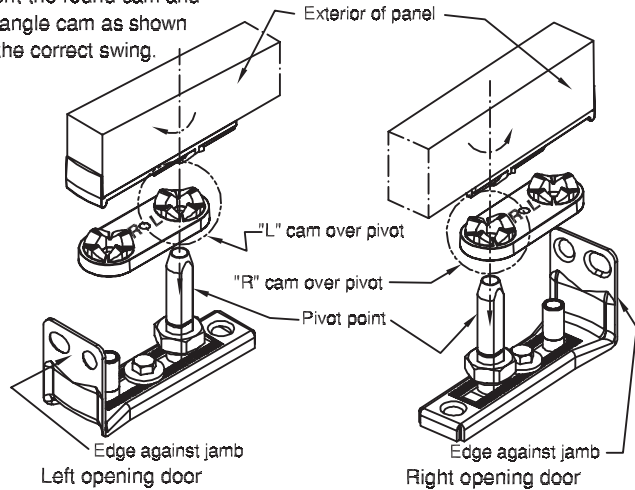
2. Prepare lead panel (second panel)

Mount the top plate of the carrier assembly on panel centerline (per Fig. 1). (Note the orientation of the top plate opening to the leading edge.)



6. Orientation of round cam for "stay open / stay close" mechanism

Orient the round cam and rectangle cam as shown for the correct swing.



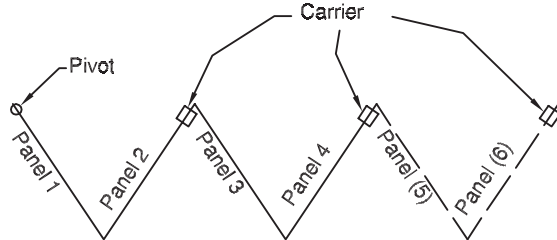
3. Hinge panels*

Hinge pivot and lead panel together. Space hinges per Fig. 1.

*Hinges not provided

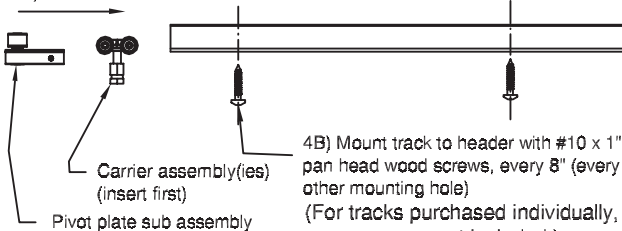
Note (for multi-fold installation):

- Mark hinge screw locations between panels 2 and 3.
- Follow instructions for bi-fold installation (panels 1 and 2).
- After adjustments for bi-fold installation, mount carrier(s) to panel 4 (and panel 6 if required), bring into position, and install hinge screws between panels 2 and 3.



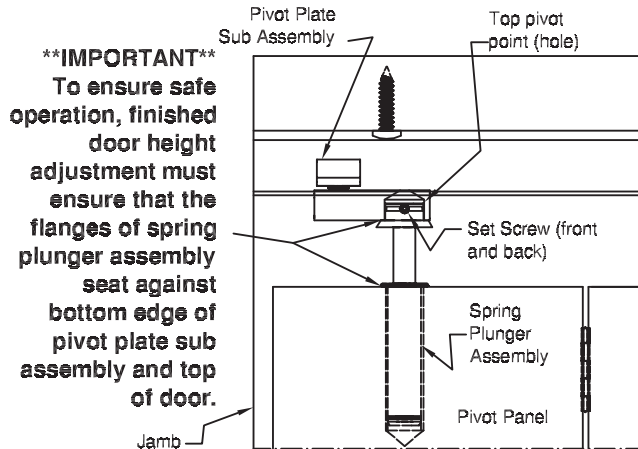
4. Install track

4A) Insert



7. Install panels

- Install spring plunger into top (drilled) hole of pivot panel.
- Place hole in bottom of pivot panel over the floor cam stud.
- Place spring plunger into the top pivot plate hole and adjust door height to be sure spring plunger is seated correctly as shown below.



****IMPORTANT****
To ensure safe operation, finished door height adjustment must ensure that the flanges of spring plunger assembly seat against bottom edge of pivot plate sub assembly and top of door.

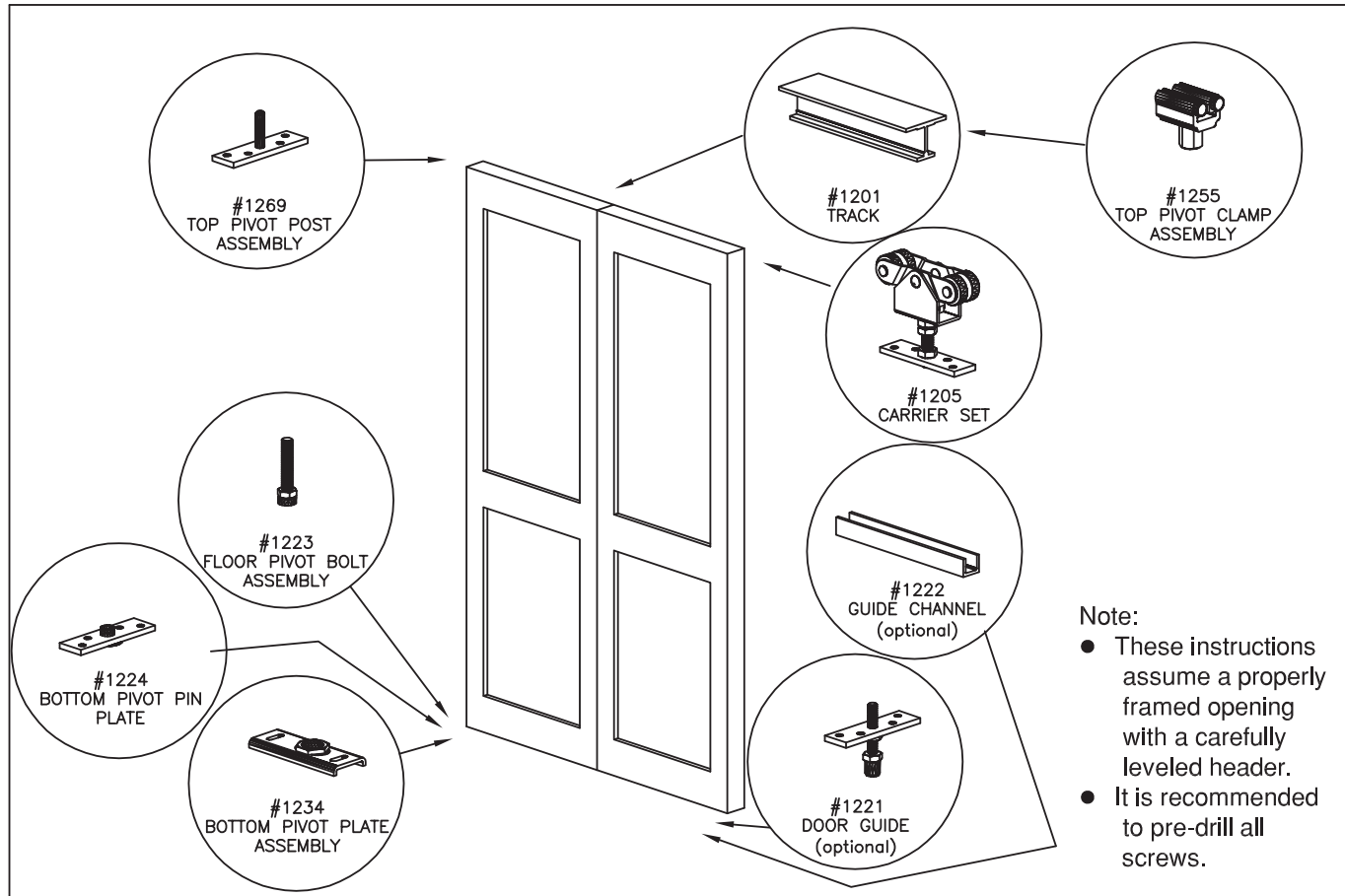
- Secure spring plunger assembly with (2) set screws using a 1/16" hex key (set screws should "dig into" the plastic end of the spring plunger assembly to secure).
- (Make sure screw for side adjustment of floor cam assembly is not tight at this point.)
- Install carrier housing into top plate and lock in with spring loaded latch lock (latch lock must be open for adjustment).
- Adjust panels to optimize operation via adjustment nut of carrier assembly, adjustment nut of floor cam assembly, and side adjustment of floor cam assembly. After adjustments are made, tighten locking screw for side adjustment of floor cam assembly.
- Mount door knob as shown on lead panel. (For multi-fold installations mount knob on each panel attached to a carrier.)

Toutes les instructions en français et espagnol sont disponibles sur nos sites Internet: www.grantdoorhardware.com ou www.hettichamerica.com

Para ver las traducciones al español o al francés de estas instrucciones, visite nuestro sitio web www.grantdoorhardware.com o www.hettichamerica.com

Assembly Instructions
Top Line Grant® 1260 - up to 175 lbs/panel (80 kg/panel)
for folding applications

Technik für Möbel



Note:

- These instructions assume a properly framed opening with a carefully leveled header.
- It is recommended to pre-drill all screws.

071-11-0026-00-0, Rev. C [INSTRUC\071-11-0026-00-0]

1 FRAMING AND PANEL SIZE

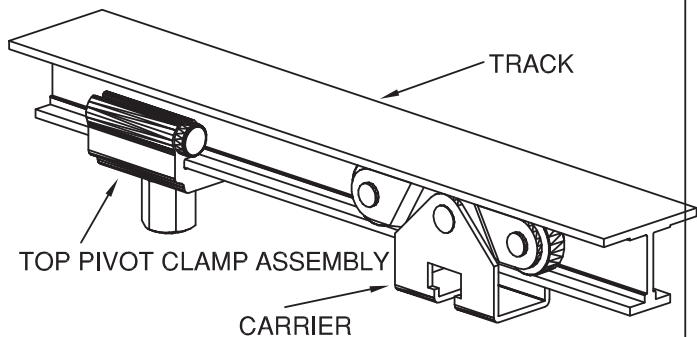
Finished opening height to be a minimum of 4-1/4" plus panel height. Vertical adjustment panel top to header 1/2". Vertical adjustment panel bottom to floor 1". Two panel opening width to be width of 2 panels plus pivot clearance (Table 1) plus minimum jamb clearance (Table 1) plus panel clearance needed for hinges used (minimum 1/32"). Four panel opening width is equal 2X two panel opening less min. jamb clearance.

Table 1

| | | | | | |
|---------------------------|-------|--------|--------|--------|--------|
| Door thickness | 1" | 1-1/8" | 1-3/8" | 1-3/4" | 1-7/8" |
| Pivot Clearance Allowance | 1/4" | 9/32" | 5/16" | 3/8" | 7/16" |
| Jamb Minimum Clearance | 3/16" | 1/4" | 1/4" | 5/16" | 3/8" |

2 TRACK MOUNTING

Install carrier and top pivot clamp assembly in track as shown. The pendant bolt slot in the carrier should be positioned opposite to the door fold. Position the pivot clamp assembly so that the carrier wheels stop against the rubber bumpers. Fasten track to header using #12 X 1-1/4" RH screws supplied.
 (Note: Carrier cannot be installed or removed after track is mounted.)



3 TOP PIVOT CLAMP ASSEMBLY LOCATION

Position top pivot clamp assembly on track with center of pivot bushing at the proper distance from the jamb (See Table 2).

Table 2

| | | | | | |
|----------------------------------------------|----|---------|---------|--------|---------|
| Door thickness | 1" | 1-1/8" | 1-3/8" | 1-3/4" | 1-7/8" |
| Location Jamb to center of top pivot bushing | 2" | 2-1/32" | 2-1/16" | 2-1/8" | 2-3/16" |

Assembly Instructions
Top Line Grant® 1260 - up to 175 lbs/panel (80 kg/panel)
for folding applications

Technik für Möbel



071-11-0026-00-0, Rev. C [INSTRUC\071-11-0026-00-0]

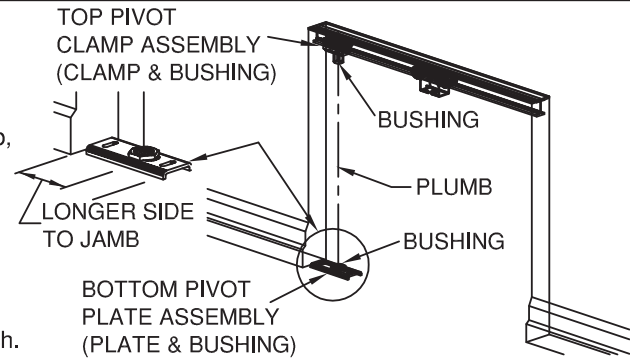
4 BOTTOM JAMB PIVOT MOUNTING

Assemble bottom pivot plate assembly.

Position bottom pivot plate assembly on the floor abutting jamb, longer side to jamb (see sketch). Fasten to floor using hexagon head screws provided.

Plumb center of bottom pivot bushing with center of top pivot bushing.

Lock bottom pivot bushing and hex screws in place with wrench.



5 MOUNT HINGES TO PANELS (Not included)

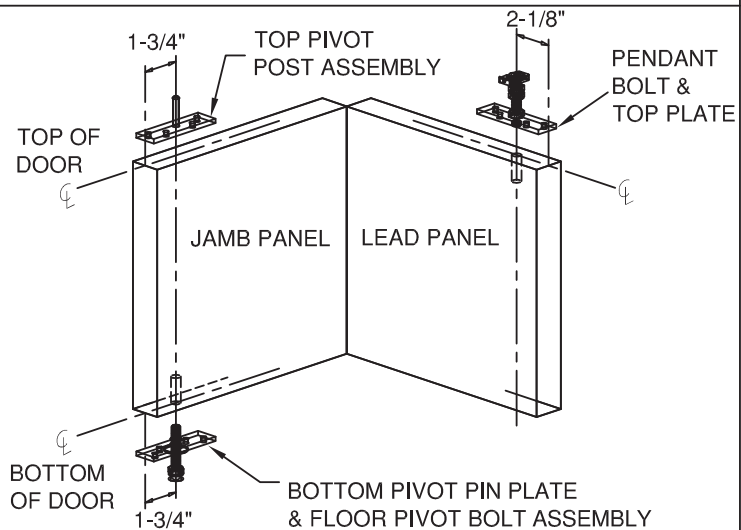
Mortise and mount hinges 4" from top and bottom of panels. Center third hinge. Provide a minimum gap of 1/32" between panels.

6 MOUNT PIVOTS, PENDANT BOLT & TOP PLATE TO PANELS

Drill 1/2" diameter hole 1-3/4" deep on center line in the bottom of jamb panel 1-3/4" from end for bottom pivot pin plate.

Drill 1/2" diameter hole 1" deep on centerline 2-1/8" in from lead edge of lead panel for pendant bolt & top plate. (See sketch)

Mount bottom pivot pin plate to jamb panel with the threaded end of the pivot in the 1/2" dia. hole. Secure assembly with 4 #12 x 1-1/4" R.H. screws. Mount the top pivot pin to the top of the jamb panel with end of plate flush with end of jamb panel on center line. Secure with 4 #12 x 1-1/4" R.H. screws. Mount top plate with pendant bolt assembly to top of lead panel. Locate threaded end of pendant bolt in drilled hole. Secure with 4 #12 x 1-1/4" R.H. screws.



7 MOUNT PANELS IN PIVOT

Fold panels and stand upright. Place top pivot post in top pivot bushing raising panels sufficiently to align bottom pivot pin with bottom pivot bushing. Lower panels seating bottom pivot pin into bottom pivot bushing.

(Extend bottom pivot pin below mounting plate sufficiently to retain engagement between both top and bottom pivots.)

8 MOUNT PENDANT BOLT AND CARRIER

Align pendant bolt on lead door with pendant bolt slot on carrier. Slide nylon seat on pendant bolt into slot in carrier. Tighten top nut with wrench, holding center nut steady, to lock pendant bolt in slot.

9 ADJUSTMENTS

Adjust carrier pendant bolt and bottom pivot pin to level doors or to adjust door height vertically. Bottom pivot must rest in bushing seat. Tighten all lock nuts to hold pivot settings.

10 OPTIONAL GUIDES

Adjustable Door Guide #1211 or 1221 and Guide Channel #1222 are available. Installation of these parts is suggested for heavy doors with frequent use.

Note:

For units where #1222 Guide Channel must be recessed into floor, specify #1221 adjustable guide roller in lieu of #1211.

