



Quadro IW21
full extension drawer slides
for wooden drawers

Technik für Möbel


Hettich



At home across the globe.

Subsidiaries in 24 countries:
Globally connected – always
close to our customers.

Production sites in Germany:
Kirchlengern, Vlotho, Spenge,
Balingen, Berlin and Frankenberg.

Production sites worldwide:
Czech Republic, Spain, USA,
China and India.



Cabinet hardware technology is our competence and passion. Our products set the benchmark for function, quality, and comfort. The brand Hettich symbolizes a strong partnership with the Kitchen and Bath, Residential, Office, Distribution, and Appliance industries. Our today is dedicated to designing a successful tomorrow. Through our brand values (Quality, Innovation, Reliability, and Closeness to customers) we will pave the way to future successes.

Hettich is a German based, family owned, global supplier of hinges, drawer slides, drawer systems, and sliding / folding hardware. We have production facilities located in North America, Europe and Asia.

For all demands:
Quadro drawer slides



For all demands:
Quadro is available as partial or full extension, in many lengths and load capacities.

Even heavy drawers close quietly and gently – thanks to the integrated Silent System.



Quadro drawer slides guarantee the ultimate in drawer convenience: attractive design through concealed installation, long service life and unceasing top performance.

The robust, resilient runners provide the steel balls with optimum control - for perfect vertical and lateral stability.

The optional Silent System gently shuts drawers in complete silence.



High precision Quadro profiles provide easy action and smooth gliding performance, for a maximum feel of luxury.



Installing wooden drawers couldn't be easier: simply slide on the drawer.

Benefits at a glance: Quadro drawer slides

For lasting furniture pleasure:

- High precision, maintenance free **steel ball bearings**
- Renowned Quadro profile geometry for good tracking and stability
- Harmonious, smooth running action

For efficient furniture production:

- A multitude of opportunities for variation with uniform drawer dimensions and cabinet drillings
- Partial and full extension slides
- Integrated Silent System
- Quadro with precision front panel adjustment

For attractive furniture design:

- Concealed runner profiles impress from behind the front panel



Quadro 4D V6 for a best in class front panel alignment:

- Intuitive and tool-less adjustment of the front panel
- Height adjustment ± 2 mm
- Side adjustment $\pm 1,5$ mm
- Depth adjustment ± 2 mm
- Tilt adjustment

Drawer slides for wooden drawers

► Quadro full extension slides



Quadro drawer runners guarantee the ultimate in drawer convenience. With attractive design from concealed installation. With long life and constant top performance. The robust, resilient runners provide the steel balls with optimum control – for perfect vertical and lateral stability.

The optional Silent System gently shuts drawers in complete silence. The Push to open function automatically opens the pull-out in response to a light press on the front panel – for handleless fronts.



Quadro:
Precision engineered for strength and excellent running quality.



For all demands:
Partial and full extension runners in many lengths and loading categories.



For the most exacting of demands:
Even heavy drawers close quietly and gently – thanks to the integrated Silent System.



Push to open:
The perfect solution for opening handleless drawers.



Perfectly aligned front panels:
Quadro 4D V6 with 4 way adjustment capability.



Wooden drawers very easy to install:
slide on and plug on principle.

Drawer slides for wooden drawers

- ▶ Quadro full extension slides
- ▶ Summary



Quadro V6 2D IW 21 / Quadro 4D V6 IW 21 /
Quadro V6+ IW 21 full extension slides, slide on installation
Range summary / Technical comparison

8



Accessories
Range summary / Technical comparison

9






Technical information

19 - 25

Drawer slides for wooden drawers



- ▶ Quadro full extension slides
- ▶ Range summary / Technical comparison

	Quadro 2D V6 	Quadro 4D V6 	Quadro V6+ 
Page	10 - 11	12 - 13	14 - 15
Description	Full extension runner with integrated Silent System or opening system and 1D / 2D adjustment	Full extension runner with integrated Silent System and 4D adjustment	Full extension runner with integrated Silent System
Loading capacity	90 lbs	90 lbs	130 lbs
Drawer lengths	9" - 24"	9" - 24"	15" - 24"
Installation	<ul style="list-style-type: none"> ▶ Face frame application or frameless application ▶ Slide on installation 	<ul style="list-style-type: none"> ▶ Face frame application or frameless application ▶ Slide on installation 	<ul style="list-style-type: none"> ▶ Only for frameless application ▶ Slide on installation

- ▶ **Quadro full extension slides**
- ▶ **Range summary / Technical comparison**

Accessories



16 - 18

Rear attachments, spacer block,
optional opening system

Drawer slides for wooden drawers

- ▶ **Quadro V6 full extension slide with Silent System and Push to open**
- ▶ **Load capacity 90 lbs**

Quadro V6 IW21 full extension slide



- ▶ **Slide on installation** with catches and tool-less height adjustment
- ▶ Side adjustment up to +/- 2 mm with 2D front fixing clips
- ▶ Various **user friendly functions** (see ordering table)
- ▶ Convenient slide on installation with catches and tool-less drawer adjustment
- ▶ Optionally upgradeable with **Push to open Silent**: convenient opening mechanism in combination with silent and soft closing; upgradeable with synchronization
- ▶ Meets or exceeds ANSI / BHMA 156.9 grade 1 requirements
- ▶ Load capacity up to 90 lbs dynamic (100 lbs static), as per ANSI / BHMA 156.9 grade 1 specifications on a 21" length slide
- ▶ Galvanized steel, suitable for rooms exposed to moisture
- ▶ For 1 / 2" (13 mm) or 5 / 8" (16 mm) drawer side thickness
- ▶ For narrow applications

Pack of two

Item	Silent System		Silent System with locating tab		Push to open	
	1 pair		1 pair		1 pair	
Quadro V6 9"	9 304 257		9 304 294		-	
Quadro V6 12"	9 304 260		9 304 297		9 304 314	
Quadro V6 15"	9 304 266		9 304 300		9 304 318	
Quadro V6 18"	9 304 274		9 304 303		9 304 321	
Quadro V6 21"	9 304 282		9 304 306		9 304 324	
Quadro V6 24"	9 304 286		-		9 304 310	

Bulk pack

Item	Silent System pack of 10 (*20)		Silent System with locating tab pack of 10 (*20)		Push to open pack of 10	
	left	right	left	right	left	right
Quadro V6 9"	9 304 255*	9 304 256*	9 304 292*	9 304 293*	-	-
Quadro V6 12"	9 304 258	9 304 259	9 304 295	9 304 296	9 304 312	9 304 313
Quadro V6 15"	9 304 261	9 304 262	9 304 298	9 304 299	9 304 315	9 304 316
Quadro V6 18"	9 304 271	9 304 272	9 304 301	9 304 302	9 304 319	9 304 320
Quadro V6 21"	9 304 280	9 304 281	9 304 304	9 304 305	9 304 322	9 304 323
Quadro V6 24"	9 304 283	9 304 284	-	-	9 304 308	9 304 309

Advice

- ▶ See page 18 for Push to open Silent info

Drawer slides for wooden drawers

- ▶ **Quadro V6 full extension slide with Silent System and Push to open**
- ▶ **Load capacity 90 lbs**

Front fixing clip sets 1D Top mount 5/8"



- ▶ Set contains one front fixing clip left / right each
- ▶ For 16 mm (5/8") drawer material thickness
- ▶ With + 3 mm toolless height adjustment
- ▶ Minimum drawer inside width = 95 mm (3 23/32")
- ▶ Installation recommended with two # 6 x 5/8" flat head screws per clip

Item	Order no.	PU
Front fixing clip set for 5/8"	9 306 538	100
	9 308 662	20

Front fixing clip sets 1D Top mount 1/2"



- ▶ Set contains one front fixing clip left / right each
- ▶ For 13 mm (1/2") drawer material thickness
- ▶ With + 3 mm toolless height adjustment
- ▶ Minimum drawer inside width = 95 mm (3 23/32")
- ▶ Installation recommended with two # 6 x 3/4" flat head screws per clip

Item	Order no.	PU
Front fixing clip set for 1/2"	9 306 537	100
	9 308 661	20

Front fixing clip sets 1D Front mount 5/8"



- ▶ Set contains one front fixing clip left / right each
- ▶ For 16 mm (5/8") drawer material thickness
- ▶ With + 3 mm toolless height adjustment
- ▶ Minimum drawer inside width = 95 mm (3 23/32")
- ▶ Installation recommended with two # 6 x 5/8" flat head screws per clip

Item	Order no.	PU
Front fixing clip set for 5/8"	9 306 534	100
	9 308 638	20

Front fixing clip sets 1D Front mount 1/2"



- ▶ Set contains one front fixing clip left / right each
- ▶ For 13 mm (1/2") drawer material thickness
- ▶ With + 3 mm toolless height adjustment
- ▶ Minimum drawer inside width = 95 mm (3 23/32")
- ▶ Installation recommended with two # 6 x 3/4" flat head screws per clip

Item	Order no.	PU
Front fixing clip set for 1/2"	9 306 533	100
	9 308 637	20

Advice

- ▶ Dimensions in millimeters (inch approximations as noted). Subject to technical modifications without notice.

Drawer slides for wooden drawers

- ▶ **Quadro V6 full extension slide with Silent System and Push to open**
- ▶ **Load capacity 90 lbs**

Front fixing clip sets 2D Top mount 5/8"



- ▶ Set contains one front fixing clip left / right each
- ▶ Side adjustment up to +/- 2 mm
- ▶ For 16 mm (5/8") drawer material thickness
- ▶ With + 3 mm toolless height adjustment
- ▶ Minimum drawer inside width = 130 mm (5 1/8")
- ▶ Installation recommended with two # 6 x 5/8" flat head screws per clip

Item	Order no.	PU
Front fixing clip set for 5/8"	9 306 540	100
	9 308 664	10

Front fixing clip sets 2D Top mount 1/2"



- ▶ Set contains one front fixing clip left / right each
- ▶ Side adjustment up to +/- 2 mm
- ▶ For 13 mm (1/2") drawer material thickness
- ▶ With + 3 mm toolless height adjustment
- ▶ Minimum drawer inside width = 130 mm (5 1/8")
- ▶ Installation recommended with two # 6 x 3/4" flat head screws per clip

Item	Order no.	PU
Front fixing clip set for 1/2"	9 306 539	100
	9 308 663	10

Front fixing clip sets 2D Front mount 5/8"



- ▶ Set contains one front fixing clip left / right each
- ▶ Side adjustment up to +/- 2 mm
- ▶ For 16 mm (5/8") drawer material thickness
- ▶ With + 3 mm toolless height adjustment
- ▶ Minimum drawer inside width = 130 mm (5 1/8")
- ▶ Installation recommended with two # 6 x 5/8" flat head screws per clip

Item	Order no.	PU
Front fixing clip set for 5/8"	9 306 536	100
	9 308 640	10

Front fixing clip sets 2D Front mount 1/2"



- ▶ Set contains one front fixing clip left / right each
- ▶ Side adjustment up to +/- 2 mm
- ▶ For 13 mm (1/2") drawer material thickness
- ▶ With + 3 mm toolless height adjustment
- ▶ Minimum drawer inside width = 130 mm (5 1/8")
- ▶ Installation recommended with two # 6 x 3/4" flat head screws per clip

Item	Order no.	PU
Front fixing clip set for 1/2"	9 306 535	100
	9 308 639	10

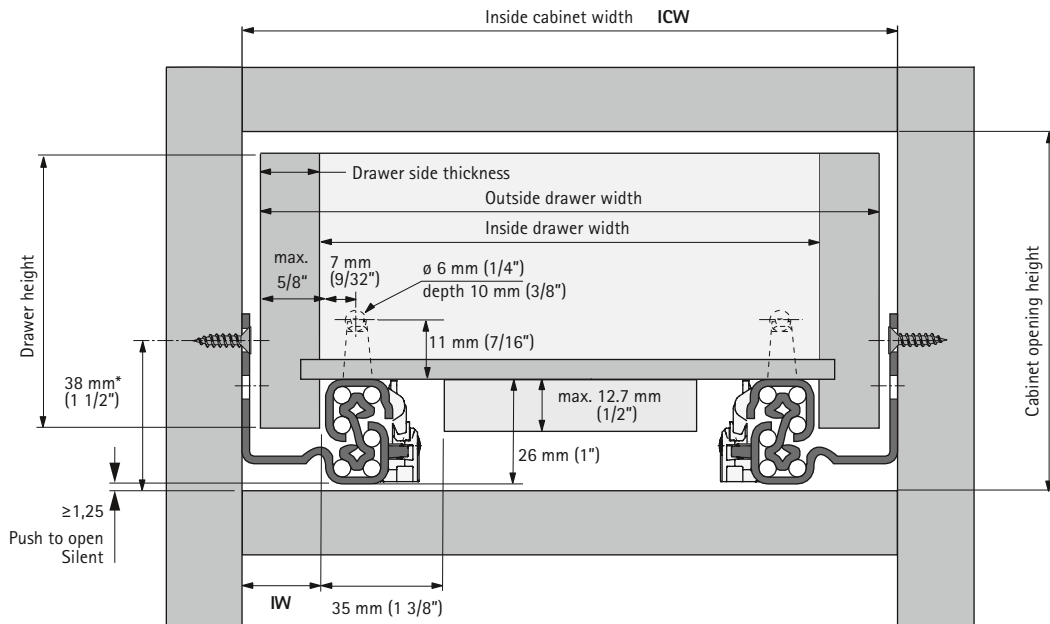
Advice

- ▶ Dimensions in millimeters (inch approximations as noted). Subject to technical modifications without notice.

Drawer slides for wooden drawers

- ▶ **Quadro V6 full extension slide with Silent System and Push to open**
- ▶ **Load capacity 90 lbs**

Planning dimensions

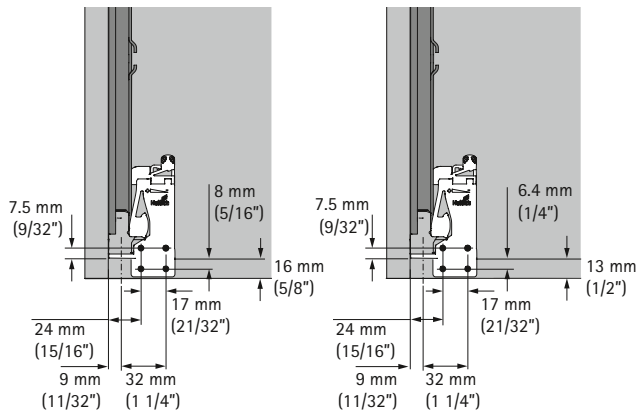


IW = Installation width	21 mm	
Drawer side thickness	1/2" (13 mm)	5/8" (16 mm)
Outside drawer width =	ICW - 5/8" (16 mm)	ICW - 3/8" (10 mm)
Inside drawer width =	ICW - 1 21/32" (42 mm)	

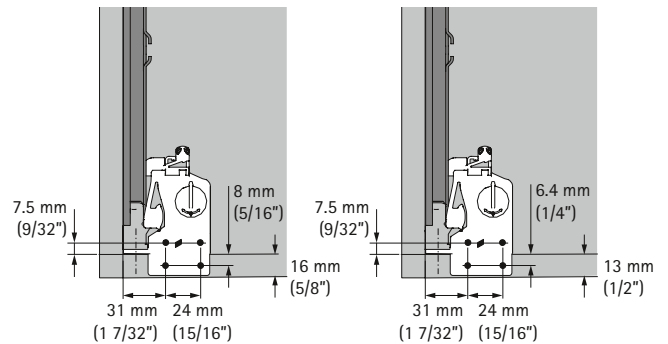
* 36 mm (1 13/32") with face frame
 * 38 mm (1 1/2") without face frame

Maximum drawer height = cabinet opening height minus 20 mm (13/16")
 Minimum cabinet opening height = drawer height plus 20 mm (13/16")
 Dimensions in millimeters (inch approximations as noted)

1D



2D



Advice

- ▶ Dimensions in millimeters (inch approximations as noted). Subject to technical modifications without notice.

Drawer slides for wooden drawers

- ▶ **Quadro 4D V6 full extension slide with Silent System**
- ▶ **Load capacity 90 lbs**

Quadro 4D V6 full extension slide with Silent System



- ▶ Integrated damping system **Silent System**
- ▶ **Slide on installation** with 4D front fixing clips and tilt adjustment
- ▶ Optionally upgradeable with **Push to open Silent**: convenient opening mechanism in combination with silent and soft closing; upgradeable with synchronization
- ▶ Tool-less, intuitive height adjustment up to + 2 mm, side adjustment up to +/- 1.5 mm, depth adjustment up to +/- 2 mm, and tilt adjustment
- ▶ For up to 5/8" (16mm) drawers side thickness
- ▶ For Face frame or frameless applications
- ▶ Meets or exceeds ANSI / BHMA 156.9 grade 1 requirements
- ▶ Load capacity up to 90 lbs dynamic (100 lbs static), as per ANSI/ BHMA 156.9 grade 1 specification on a 21" length slide
- ▶ Galvanized steel

Quadro 4D V6 IW21 full extension drawer slide

Item	Drawer box length		PU	Order no.	Order no.	PU	
	mm	(inch)					Pairs
Quadro 4D V6 9"	229 mm	(9")	5	9 209 777	9 262 842	9 262 843	10
Quadro 4D V6 12"	305 mm	(12")	5	9 209 798	9 262 844	9 262 845	10
Quadro 4D V6 15"	381 mm	(15")	5	9 209 799	9 262 846	9 262 847	10
Quadro 4D V6 18"	457 mm	(18")	5	9 209 800	9 262 848	9 262 849	10
Quadro 4D V6 21"	533 mm	(21")	5	9 209 801	9 262 850	9 262 851	10
Quadro 4D V6 24"	610 mm	(24")	5	9 209 802	9 262 852	9 262 853	10

IW = Installation width

Quadro 4D V6 Front fixing clips



- ▶ Quadro 4D V6 Front fixing clips
- ▶ For securely connecting the Quadro runner and wooden drawer without the need for tools
- ▶ Tool-less height adjustment up to + 2 mm and side adjustment up to +/- 1.5 mm
- ▶ Installation recommended with two # 6 x 3/4" flat head screws per catch
- ▶ Plastic, grey

Article	Order no.	PU
Catch, Quadro 4D, left	9 247 355	100
Catch, Quadro 4D, right	9 247 356	100

Distributor pack: Quadro 4D V6 Front fixing clip set with spacers



- ▶ For securely connecting the Quadro runner and wooden drawer without the need for tools
- ▶ Tool-less height adjustment up to + 2 mm
- ▶ Installation recommended with two # 6 x 7/8" flat head screws per catch and side adjustment up to +/- 1.5 mm
- ▶ Plastic, grey

Distributor pack includes:

- ▶ 10 LH Front Fixing Clips
- ▶ 10 RH Front Fixing Clips
- ▶ 20 Spacers for 1/2" drawer box material

Article	Order no.	PU
Distributor pack	9 218 980	10

Advice

- ▶ Dimensions in millimeters (inch approximations as noted). Subject to technical modifications without notice.

Drawer slides for wooden drawers

- ▶ Quadro 4D V6 full extension slide with Silent System
- ▶ Load capacity 90 lbs

Quadro 4D V6 tilt adjuster for wooden drawers



- ▶ Large range within which the rear hook can be inserted in the runner for safe installation, even when the adjustment range is fully used
- ▶ Tool-less tilt adjustment, conveniently achieved by pulling the drawer forward slightly on the runner
- ▶ Plastic, grey
- ▶ Installation recommended with two # 6 x 1/2" flat head screws per adjuster

Article	Order no.	PU
Tilt adjuster, Quadro 4D, left	9 205 924	100
Tilt adjuster, Quadro 4D, right	9 205 925	100

Distributor pack: Quadro 4D V6 Front fixing clip set with tilt adjustment and spacers



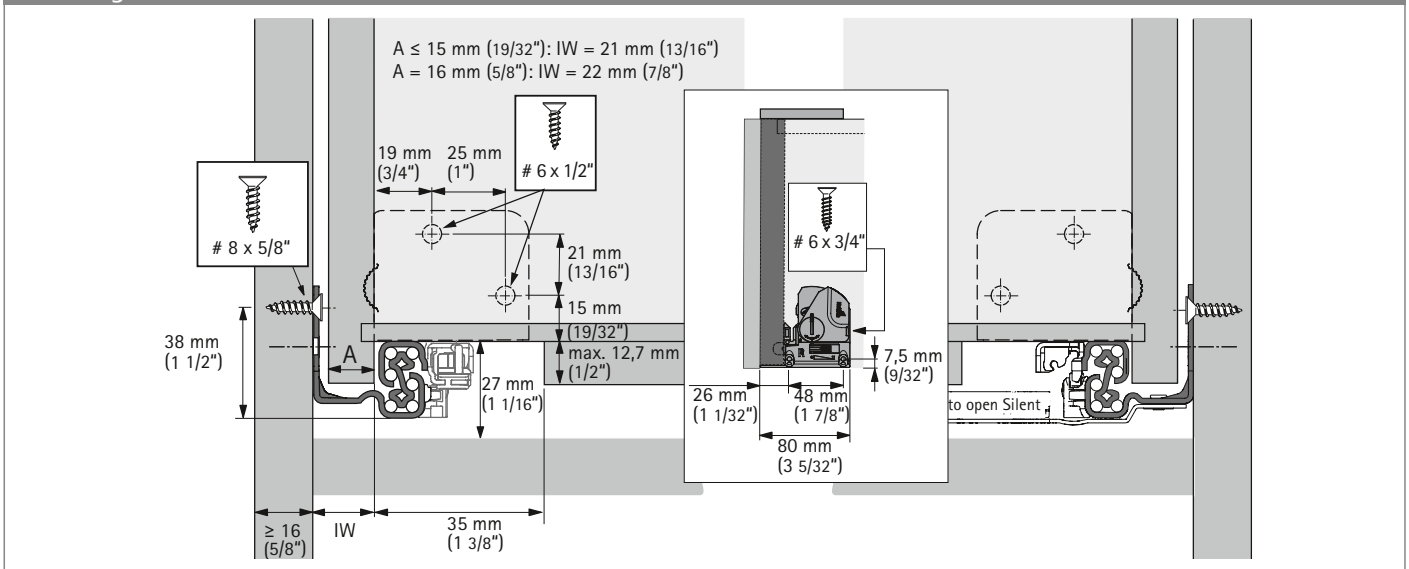
- ▶ Large range within which the rear hook can be inserted in the runner for safe installation, even when the adjustment range is fully used
- ▶ Tool-less tilt adjustment, conveniently achieved by pulling the drawer forward slightly on the runner
- ▶ Plastic, grey

Distributor pack includes:

- ▶ 10 LH Front Fixing Clips
- ▶ 10 RH Front Fixing Clips
- ▶ 10 LH Tilt Adjusters
- ▶ 10 RH Tilt Adjusters
- ▶ 20 Spacers for 1/2" drawer box material

Article	Order no.	PU
Distributor pack	9 218 979	10

Planning dimensions



* Limited side adjustment, internal drawer width not compatible with Quadro V6

Advice

- ▶ Dimensions in millimeters (inch approximations as noted). Subject to technical modifications without notice.

Drawer slides for wooden drawers

- ▶ **Quadro V6+ full extension slide with Silent System**
- ▶ **Load capacity 130 lbs**

Quadro V6+ full extension slide with Silent System



- ▶ **Silent System:** the integrated Silent System closes the drawer quietly and gently
- ▶ Convenient slide on installation with catches and tool-less height adjustment
- ▶ Meets or exceeds ANSI/BHMA 156.9 grade 1 requirements
- ▶ Load capacity up to 130 lbs dynamic (170 lbs static), as per ANSI/BHMA 156.9 grade 1 specifications on a 21" length slide
- ▶ Galvanized steel, suitable for rooms exposed to moisture
- ▶ For 5/8" (16 mm) drawer side thickness
- ▶ For frameless application only

Quadro V6+ IW21 full extension drawer slide

Item	Drawer box length		Order no.	Order no.	PU
	mm	(inch)	Left hand	Right hand	
Quadro V6 15"	381 mm	(15")	9 248 619	9 248 620	8
Quadro V6 18"	457 mm	(18")	9 244 389	9 244 390	8
Quadro V6 21"	533 mm	(21")	9 244 387	9 244 388	8
Quadro V6 24"	610 mm	(24")	9 236 068	9 236 069	8

IW = Installation width

Front fixing clip



- ▶ Set contains one front fixing clip left/right each
- ▶ For safely connecting the Quadro runner and wooden drawer without the need for tools
- ▶ Infinite height adjustment up to + 2 mm via a knurled wheel
- ▶ Plastic, back

Item	Order no.	PU
Front fixing clip left hand	9 117 483	100
Front fixing clip right hand	9 117 485	100
Front fixing clip set	9 117 492	1/5

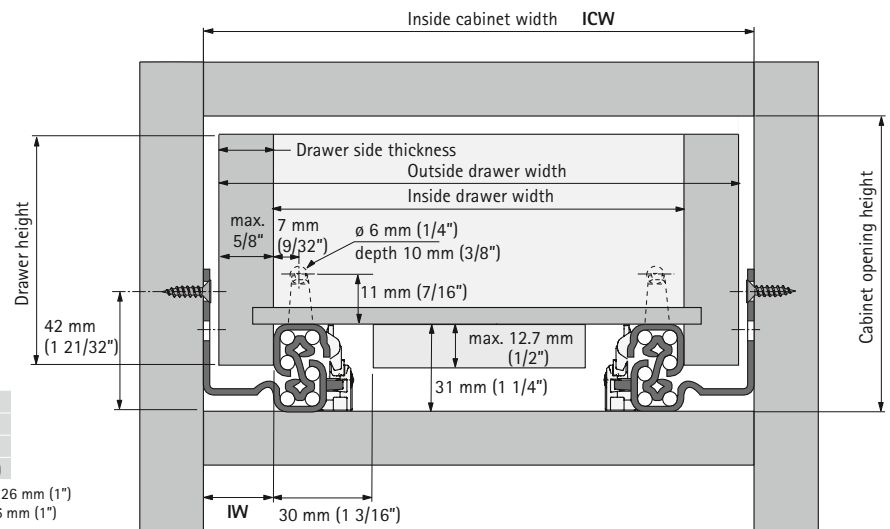
Advice

- ▶ Dimensions in millimeters (inch approximations as noted). Subject to technical modifications without notice.

Drawer slides for wooden drawers

- ▶ **Quadro V6+ full extension slide with Silent System**
- ▶ **Load capacity 130 lbs**

Planning dimensions



IW = Installation width	21 mm
Drawer side thickness	5/8" (16 mm)
Outside drawer width =	ICW - 3/8" (10 mm)
Inside drawer width =	ICW - 1 21/32" (42 mm)

Maximum drawer height = cabinet opening height minus 26 mm (1")
 Minimum cabinet opening height = drawer height plus 26 mm (1")
 Dimensions in millimeters (inch approximations as noted)

Advice

- ▶ Dimensions in millimeters (inch approximations as noted). Subject to technical modifications without notice.

Drawer runners for wooden drawers

- ▶ **Quadro accessories**
- ▶ **Push to open Silent for Quadro V6 / 4D V6 with Silent System**

Push to open Silent for Quadro V6 with Silent System



- ▶ Units: 20 kg (45 lbs), 40 kg (90 lbs)
- ▶ Optional, upgradeable for all nominal lengths without tools
- ▶ Internal cabinet body width > 200 mm (7 7/8"), minimal drawer front gap of 2.5 mm (3/32")
- ▶ Can be clipped on without tools
- ▶ Drawers can still be pulled open / guided closed

Set comprises:

- ▶ 1 Push to open Silent unit, left and right
- ▶ 1 activator, left and right
- ▶ 2 adapters for mounting optional synchronization

Total weight		Quadro		Nominal length		Order no.	PU
kg	lbs	kg	lbs	mm	inch		
8 - 20	15 - 45	30	66	250 - 600	12" - 24"	9 308 679	1
10 - 40	25 - 90	40	90	380 - 600	15" - 24"	9 308 678	1

Push to open Silent for Quadro 4D V6 with Silent System



- ▶ Units: 20 kg (45 lbs), 40 kg (90 lbs)
- ▶ Optional, upgradeable for all nominal lengths without tools
- ▶ Internal cabinet body width > 200 mm (7 7/8"), minimal drawer front gap of 2.5 mm (3/32")
- ▶ Can be clipped on without tools
- ▶ Drawers can still be pulled open / guided closed

Set comprises:

- ▶ 1 Push to open Silent unit, left and right
- ▶ 1 activator, left and right
- ▶ 2 adapters for mounting optional synchronization

Total weight		Quadro		Nominal length		Order no.	PU
kg	lbs	kg	lbs	mm	inch		
8 - 20	15 - 45	30	66	250 - 600	12" - 24"	9 246 315	1
10 - 40	25 - 90	40	90	250 - 600	12" - 24"	9 246 316	1

Optional synchronization for Push to open Silent



- ▶ Synchronization bar for cutting to length, 2000 mm (78 24/32")
- ▶ Connector for minimising offcut waste
- ▶ Recommended for cabinet bodies in widths of > 600 mm (24"); can be used from 275 mm (11")
- ▶ Aluminium, anodized, grey plastic

Article	Order no.	PU
1 Synchronization bar	9 236 718	100
2 Connector	9 221 295	20

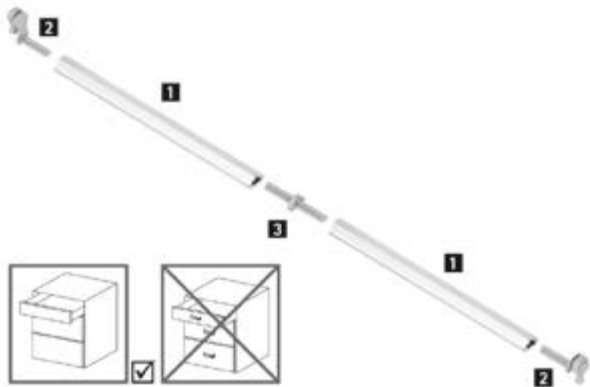
Advice

- ▶ Dimensions in millimeters (inch approximations as noted). Subject to technical modifications without notice.

Drawer runners for wooden drawers

- ▶ **Quadro accessories**
- ▶ **Synchronization for Quadro V6 with Push to open**

Synchronization for Quadro V6 with Push to open



Synchronization bar:

- ▶ For cutting to length, length 2000 mm
- ▶ Aluminium anodized

Connector:

- ▶ For extending synchronization bar / optimising synchronization bar
offcut waste
- ▶ Plastic, grey

Adapter:

- ▶ Type A for Quadro V6
- ▶ Plastic, grey

Article	Order no.	PU
1 Synchronization bar	9 236 718	100
2 Adapter type A	9 219 966	200
3 Connectors	9 221 295	20

Advice

- ▶ Dimensions in millimeters (inch approximations as noted). Subject to technical modifications without notice.

Drawer runners for wooden drawers

- ▶ **Quadro accessories**
- ▶ **Push to open Silent for Quadro V6 / 4D V6 with Silent System**

Recommendation for drawer (front panel height up to approx. 150 mm / 6")*

Nominal length		Nominal width in inch (")												
mm	inch	12"	15"	18"	21"	24"	27"	30"	33"	36"	39"	42"	45"	48"
250 - 300	12"													
380 - 550	15" - 21"													
580 - 600	24"													

Recommendation for pot-and-pan drawer (front panel height up to approx. 300 mm / 12", light to medium duty loading)*

Nominal length		Nominal width in inch (")												
mm	inch	12"	15"	18"	21"	24"	27"	30"	33"	36"	39"	42"	45"	48"
250 - 300	12"													
380 - 550	15" - 21"													
580 - 600	24"													

Recommendation for pot-and-pan drawer, heavy duty (front panel height up to approx. 300 mm / 12", heavy duty loading, eg. with stacks of plates)*

Nominal length		Nominal width in inch (")												
mm	inch	12"	15"	18"	21"	24"	27"	30"	33"	36"	39"	42"	45"	48"
250 - 300	12"													
380 - 550	15" - 21"													
580 - 600	24"													

Order no. Push to open Silent:

9 246 315

9 246 316

9 308 679

9 308 678

* Recommendations for applications (front panel 19 mm chipboard, normal household loading), please refer to our online configurator to get more exact recommendations for customer chosen front panel dimensions and materials.

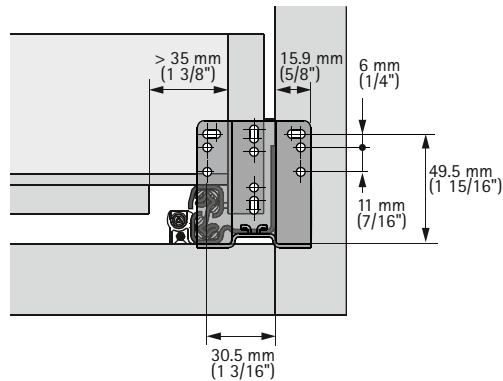
Advice

- ▶ Dimensions in millimeters (inch approximations as noted). Subject to technical modifications without notice.

Drawer slides for wooden drawers

- ▶ **Quadro accessories**
- ▶ **Rear attachments**

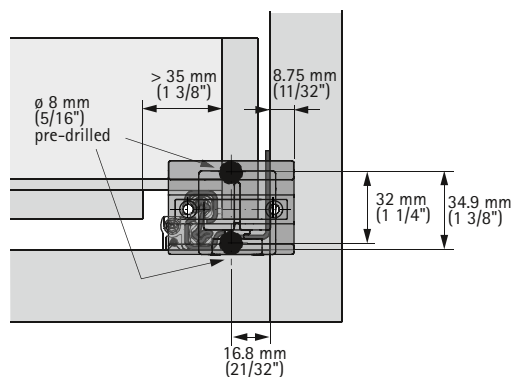
Metal rear attachment set (screw-on) for Quadro V6



- ▶ Set contains 2 metal rear mount brackets
- ▶ For up to 37 mm (1 7/16") depth adjustment and +/- 2 mm (3/32") side adjustment
- ▶ Additional adjustment via oblong holes
- ▶ Installation recommended with min. two # 6 pan head screws or similar

Item	Order no.	PU
Rear attachment set	9 308 864	10

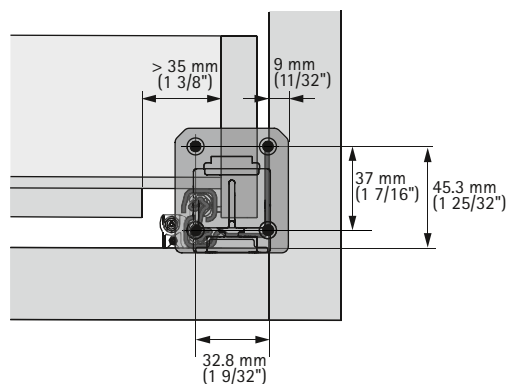
Plastic rear attachment set (TennTex Solutions C-307, plug in) for Quadro V6



- ▶ Plastic rear mount bracket with connector
- ▶ Non-handed, two-piece design (pre-assembled)
- ▶ For up to 26 mm (1") depth adjustment and +/- 16 mm (5/8") side-to-side self-alignment
- ▶ Non-detachable 8 mm dowels
- ▶ For 1/8" rear panel material thickness

Item	Order no.	PU
Rear attachment left hand	9 308 854	100
Rear attachment right hand	9 308 855	100

Plastic rear attachment set (TennTex Solutions C-274, screw-on) for Quadro V6



- ▶ Plastic rear mount bracket with connector
- ▶ Non-handed, two-piece design (pre-assembled)
- ▶ For up to 26 mm (1") depth adjustment and +/- 12 mm (15/32") side-to-side self-alignment
- ▶ Installation recommended with four # 8 flat head screws per bracket

Item	Order no.	PU
Rear attachment left hand	9 308 856	100
Rear attachment right hand	9 308 857	100

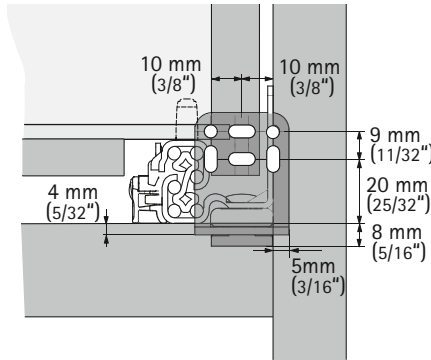
Advice

- ▶ Dimensions in millimeters (inch approximations as noted). Subject to technical modifications without notice.

Drawer slides for wooden drawers

- ▶ **Quadro accessories**
- ▶ **Rear attachments**

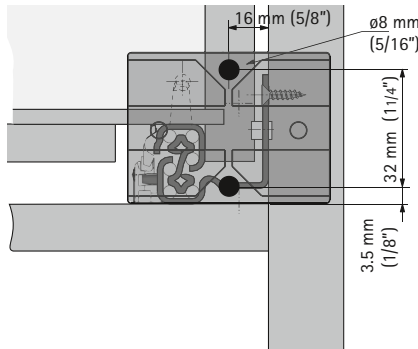
Metal rear attachment set (screw-on) for Quadro 4D V6



- ▶ Set contains 2 metal rear mount brackets and 2 plastic connectors
- ▶ Non-handed, two-piece design
- ▶ For up to 50 mm (1 15/16") depth adjustment and ± 1,5 mm (1/16") side adjustment
- ▶ Additional adjustment via oblong holes
- ▶ Installation recommended with min. four # 6 pan head screws or similar

Item	Order no.	PU
Rear attachment set	9 055 093	10

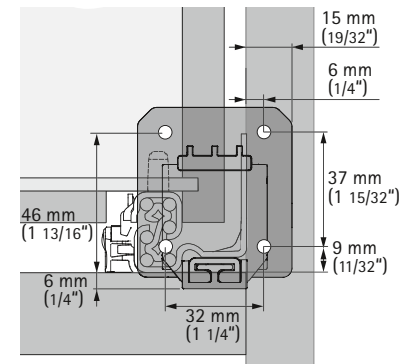
Plastic rear attachment (TennTex Solutions C-307, plug-in) for Quadro 4D V6



- ▶ Plastic rear mount bracket with connector
- ▶ Non-handed, two-piece design (pre-assembled)
- ▶ For up to 27 mm (1 1/16") depth adjustment and +/- 16 mm (5/8") side-to-side self-alignment
- ▶ Non-detachable 8 mm dowels
- ▶ For 1/8" rear panel material thickness.
- ▶ Order 2 per drawer

Item	Order no.	PU
Rear attachment	1 135 174	100

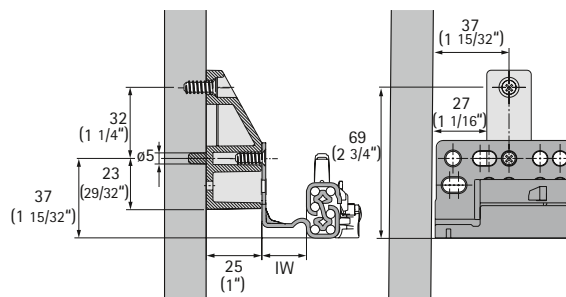
Plastic rear attachment (TennTex Solutions C-274, screw-on) for Quadro 4D V6



- ▶ Plastic rear mount bracket with connector
- ▶ Non-handed, two-piece design (pre-assembled)
- ▶ For up to 27 mm (1 1/16") depth adjustment and +/- 12 mm (15/32) side-to-side self-alignment
- ▶ Installation recommended with four # 8 flat head screws per bracket
- ▶ Order 2 per drawer

Item	Order no.	PU
Rear attachment	1 135 181	100

Spacer block



- ▶ 25 mm (1") distance block
- ▶ For Setback blocking, frameless construction, internal pullouts, etc.
- ▶ Installation recommended with one ø 6.3 mm Euro screw or # 8 flat head screw per spacer
- ▶ Installation of slide to spacer recommended with one ø 6.3 mm Euro screw per spacer

Item	Order no.	PU
Spacer, 25 mm white	1 130 537	200

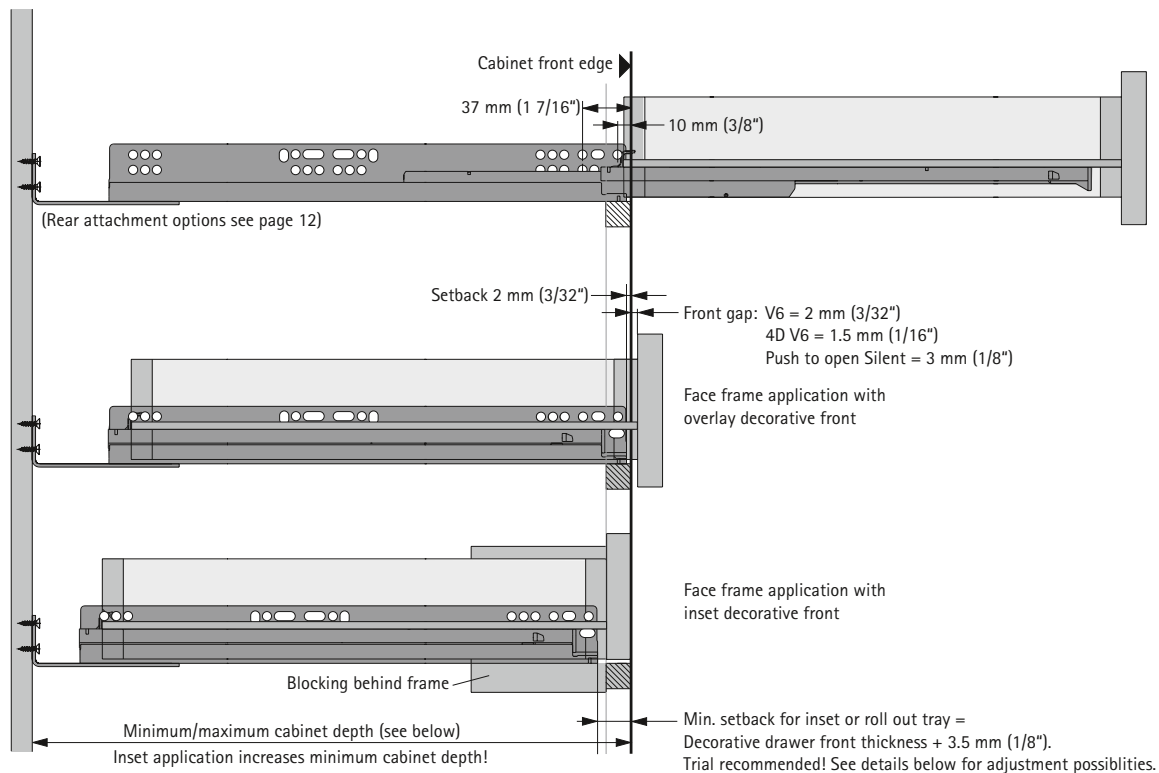
Advice

- ▶ Dimensions in millimeters (inch approximations as noted). Subject to technical modifications without notice.

Drawer slides for wooden drawers

- ▶ **Quadro**
- ▶ **Technical information**

Mounting specifications – (Quadro V6 / Quadro 4D V6, face frame application)



Minimum / maximum cabinet depth (Quadro V6, face frame application)

Drawer box length mm (inch)	Min-Max cabinet depth with metal rear attachment mm (inch)	Min-Max cabinet depth with plastic rear attachment (TennTex C-307) mm (inch)
229 mm (9")	257 - 294 mm (10 1/8" - 11 9/16")	279 - 305 mm (11" - 12")
305 mm (12")	333 - 370 mm (13 1/8" - 14 9/16")	355 - 381 mm (14" - 15")
381 mm (15")	409 - 446 mm (16 3/32" - 17 9/16")	431 - 457 mm (17" - 18")
457 mm (18")	485 - 522 mm (19 3/32" - 20 9/16")	505 - 531 mm (20" - 21")
533 mm (21")	561 - 598 mm (22 3/32" - 23 17/32")	584 - 610 mm (23" - 24")
610 mm (24")	no rear attachment, must be blocked out	no rear attachment, must be blocked out

Minimum / maximum cabinet depth (Quadro 4D V6, face frame application)

Drawer box length mm (inch)	Min-Max cabinet depth with metal rear attachment mm (inch)	Min-Max cabinet depth with plastic rear attachment (TennTex C-307) mm (inch)
229 mm (9")	250 - 300 mm (9 7/8" - 11 3/4")	270 - 297 mm (10 5/8" - 11 11/16")
305 mm (12")	326 - 376 mm (12 7/8" - 14 3/4")	346 - 373 mm (13 5/8" - 14 11/16")
381 mm (15")	402 - 452 mm (15 7/8" - 17 3/4")	422 - 449 mm (16 5/8" - 17 11/16")
457 mm (18")	479 - 529 mm (18 7/8" - 20 3/4")	498 - 525 mm (19 5/8" - 19 11/16")
533 mm (21")	555 - 605 mm (21 7/8" - 23 3/4")	574 - 601 mm (22 5/8" - 23 11/16")
610 mm (24")	no rear attachment, must be blocked out	no rear attachment, must be blocked out

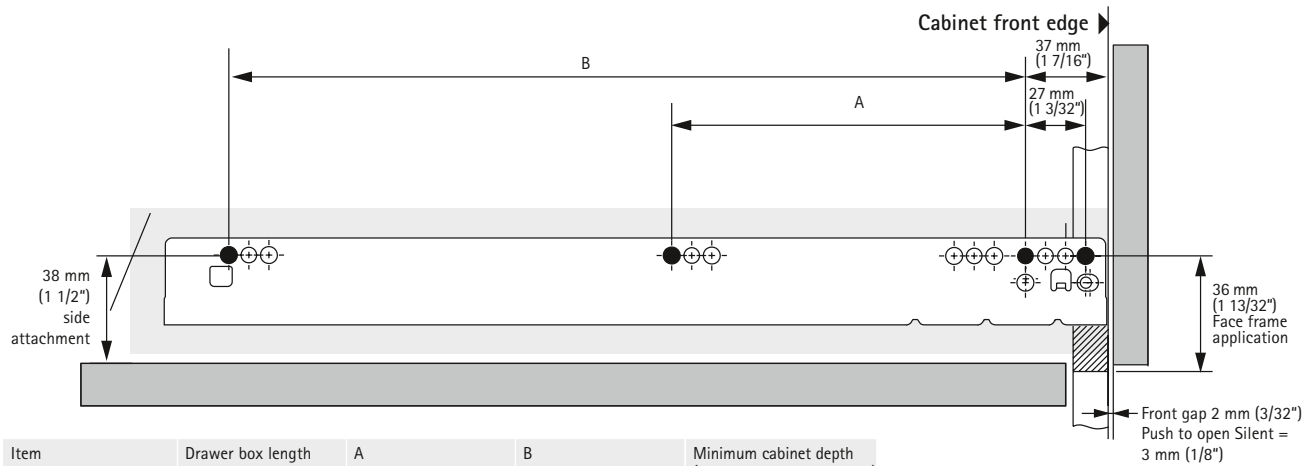
Advice

- ▶ Dimensions in millimeters (inch approximations as noted). Subject to technical modifications without notice.

Drawer slides for wooden drawers

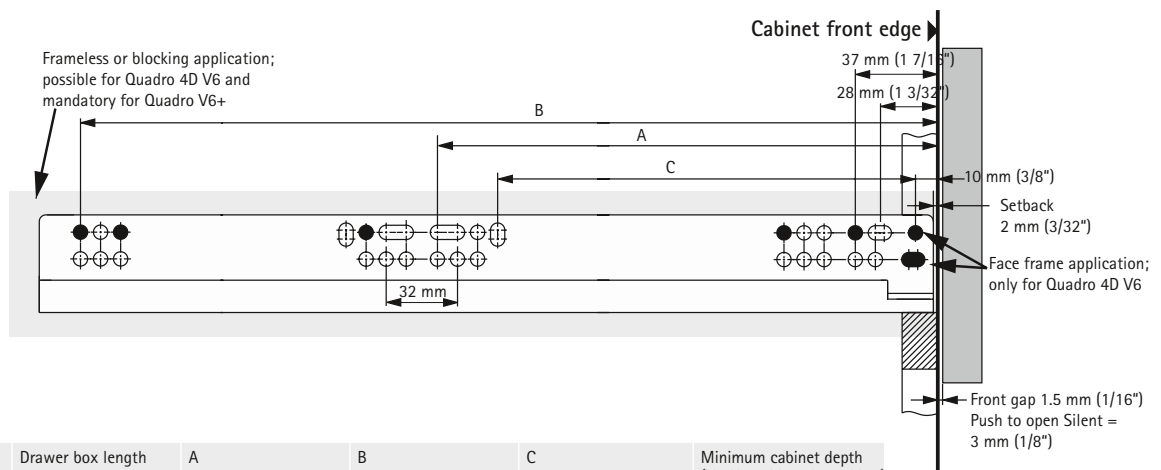
- **Quadro**
- **Technical information**

Mounting specifications – (Quadro V6, face frame or frameless application)



Item	Drawer box length		A		B		Minimum cabinet depth (blocking of frameless cabinet)	
	mm	(inch)	mm	(inch)	mm	(inch)	mm	(inch)
Quadro V6	229	(9")	128	(5 1/32")	192	(7 9/16")	242,5	(9 17/32")
Quadro V6	305	(12")	160	(6 9/32")	224	(8 13/16")	318,5	(12 17/32")
Quadro V6	381	(15")	160	(6 9/32")	320	(12 19/32")	395	(15 17/32")
Quadro V6	457	(18")	256	(10 1/16")	416	(16 3/8")	471	(18 17/32")
Quadro V6	533	(21")	256	(10 1/16")	480	(18 7/8")	547	(21 17/32")
Quadro V6	610	(24")	256	(10 1/16")	416	(16 3/8")	623,5	(24 17/32")

Mounting specifications – (Quadro 4D V6 / Quadro V6+, face frame or frameless application)



Item	Drawer box length		A		B		C		Minimum cabinet depth (blocking of frameless cabinet)	
	mm	(inch)	mm	(inch)	mm	(inch)	mm	(inch)	mm	(inch)
Quadro 4D V6	229	(9")	133	(5 1/4")	229	(9")	96	(3 25/32")	250	(9 7/8")
Quadro 4D V6	305	(12")	165	(6 1/2")	261	(10 1/4")	128	(5 1/32")	326	(12 7/8")
Quadro 4D V6 / V6+	381	(15")	165	(6 1/2")	357	(14 1/16")	128	(5 1/32")	402	(15 7/8")
Quadro 4D V6 / V6+	457	(18")	261	(10 1/4")	453	(17 13/16")	224	(8 13/16")	479	(18 7/8")
Quadro 4D V6 / V6+	533	(21")	261	(10 1/4")	517	(20 3/8")	224	(8 13/16")	555	(21 7/8")
Quadro 4D V6 / V6+	610	(24")	261	(10 1/4")	453	(17 13/16")	224	(8 13/16")	631	(24 7/8")

Advice

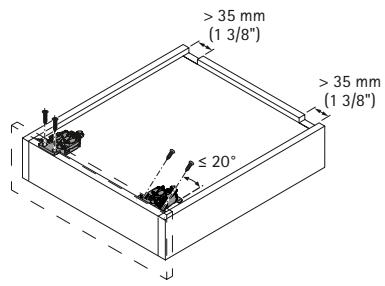
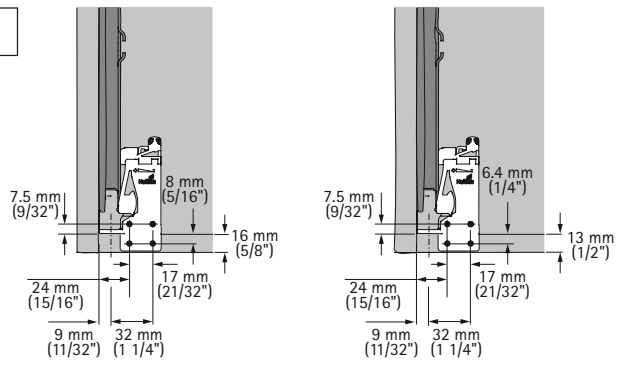
- Dimensions in millimeters (inch approximations as noted). Subject to technical modifications without notice.

Drawer slides for wooden drawers

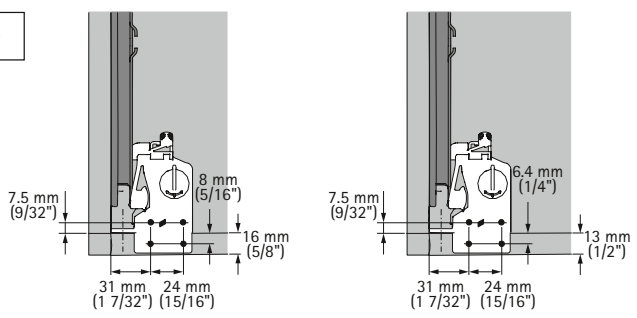
- ▶ **Quadro**
- ▶ **Technical information**

Catches for wooden drawers (Quadro V6 full extension)

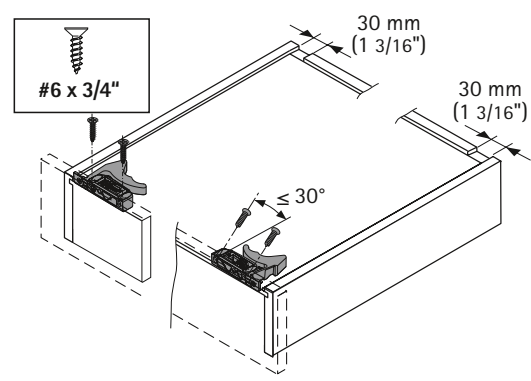
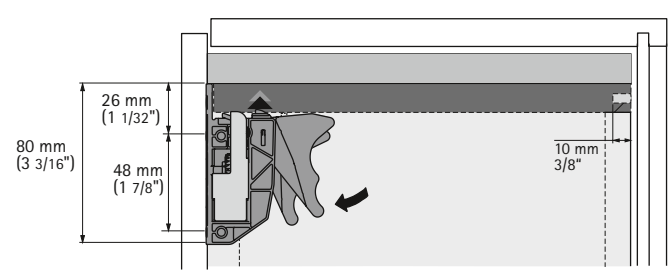
1D



2D



Catches for wooden drawers (Quadro V6+ full extension)



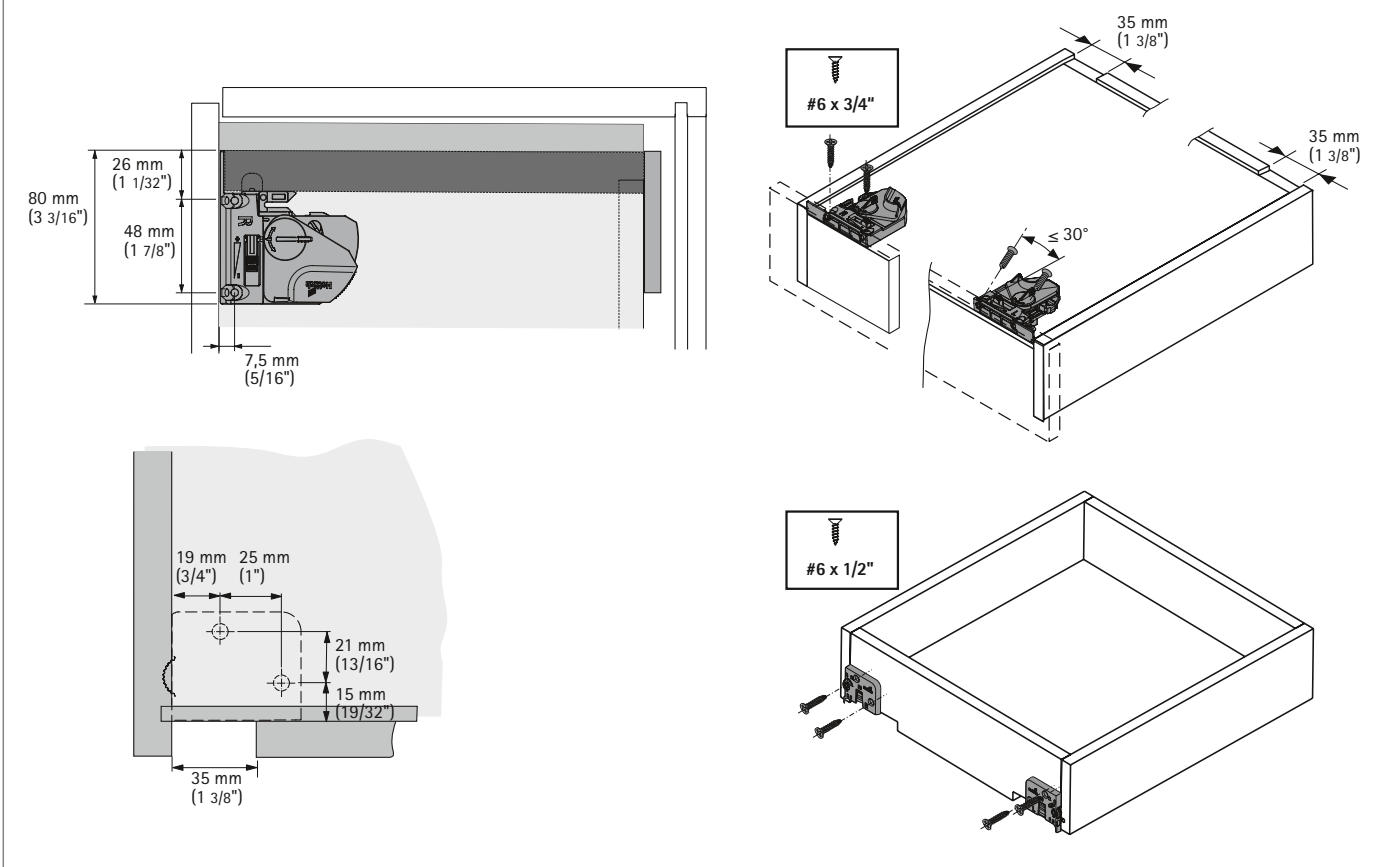
Advice

▶ Dimensions in millimeters (inch approximations as noted). Subject to technical modifications without notice.

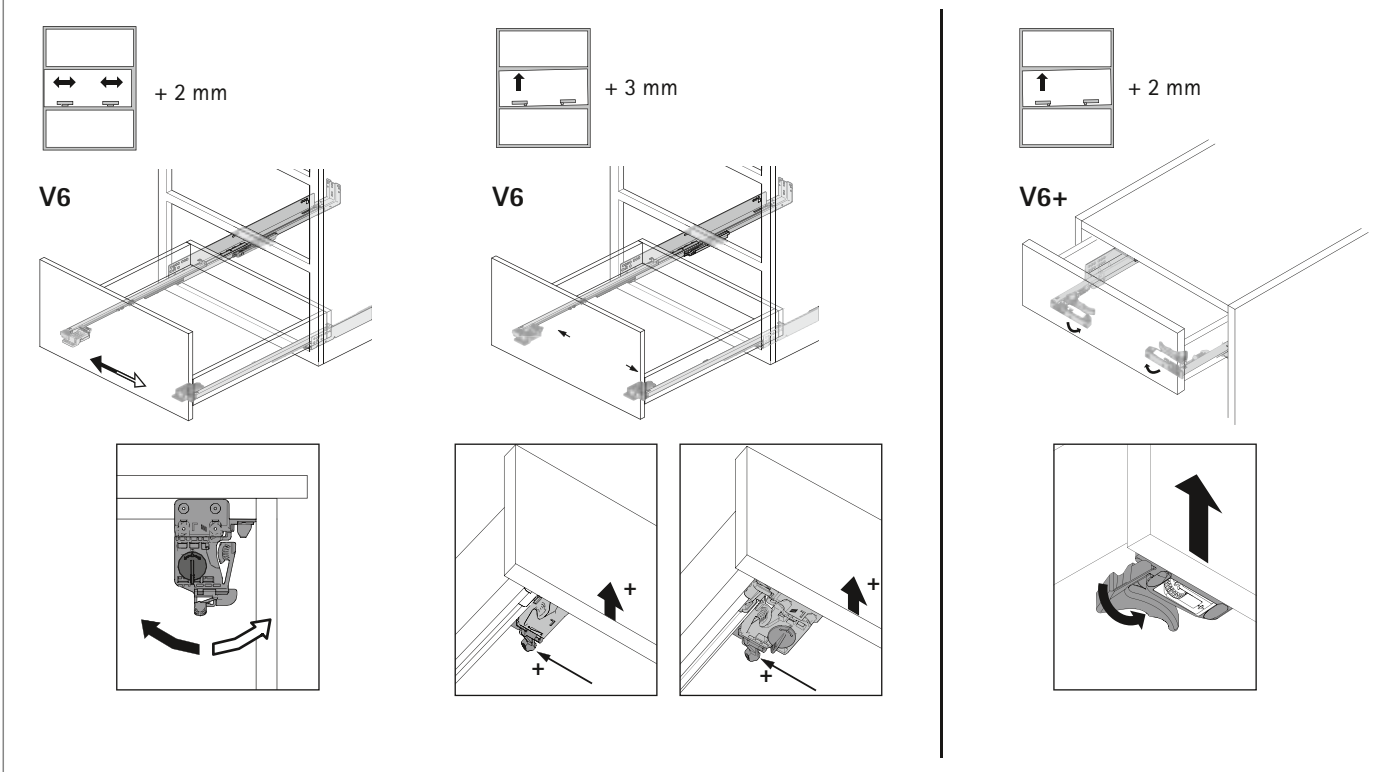
Drawer slides for wooden drawers

- ▶ **Quadro**
- ▶ **Technical information**

Catch and tilt adjuster for wooden drawers (Quadro 4D V6 full extension)



Quadro V6 / Quadro V6+ full extension runner: adjustment of the drawer front panel



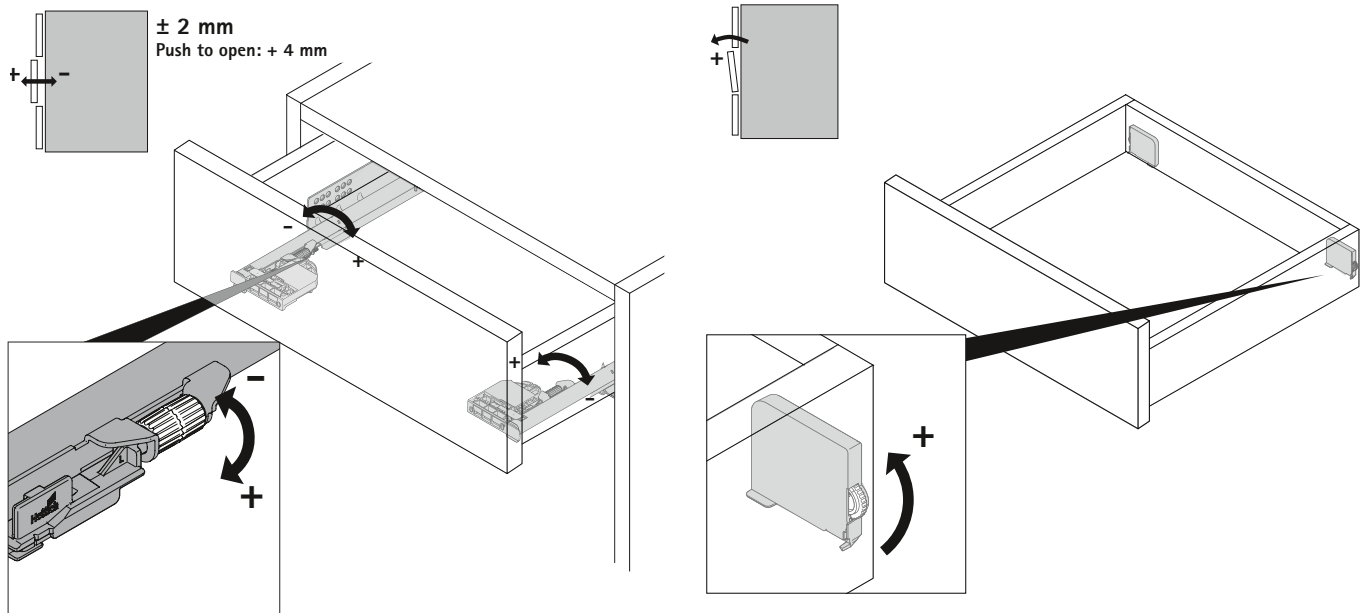
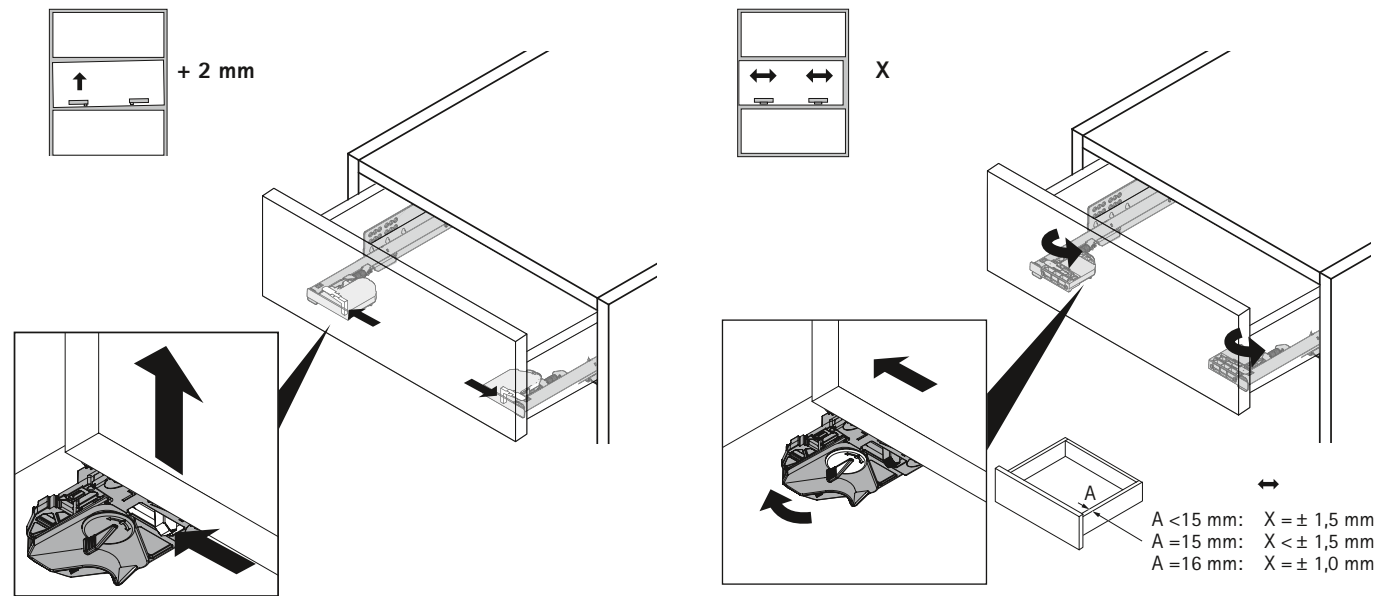
Advice

- ▶ Dimensions in millimeters (inch approximations as noted). Subject to technical modifications without notice.

Drawer slides for wooden drawers

- ▶ **Quadro**
- ▶ **Technical information**

Quadro 4D V6 full extension runner: adjustment of the drawer front panel



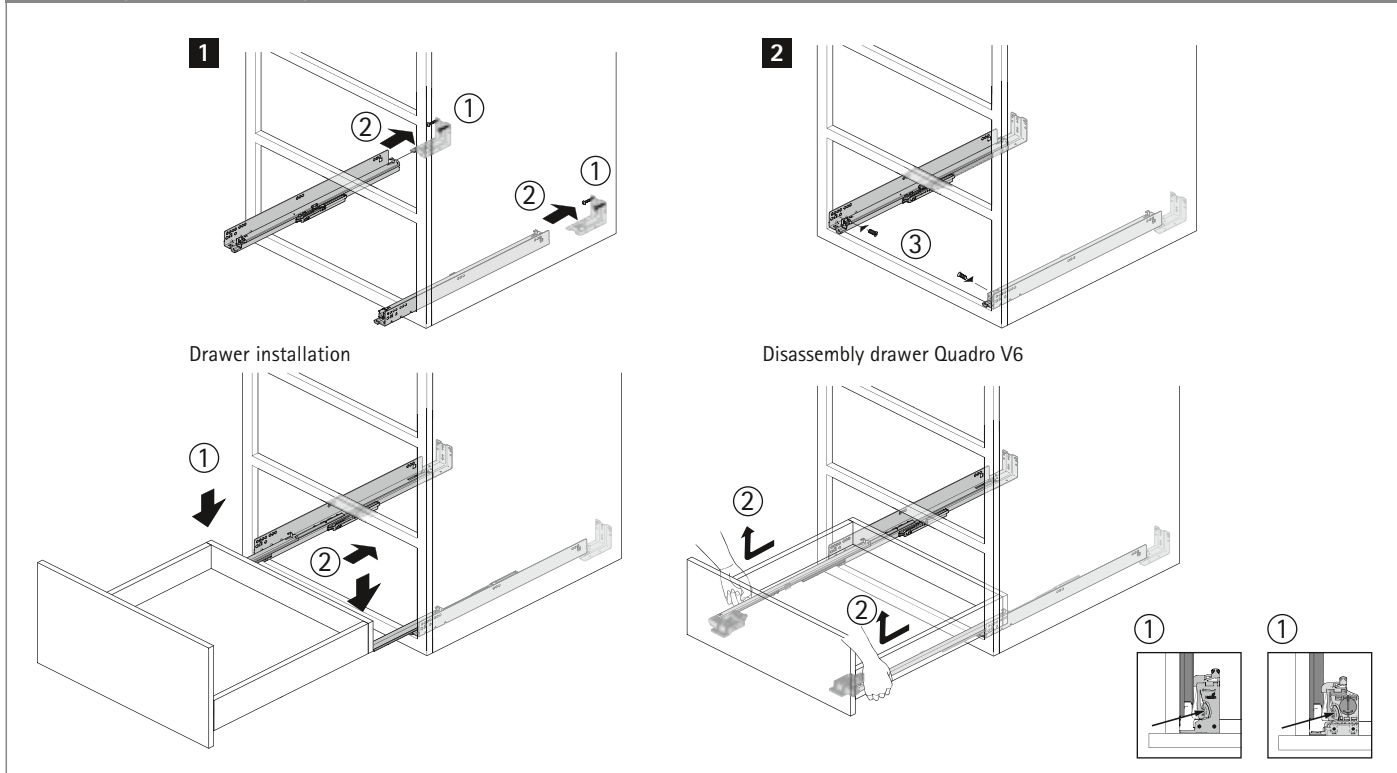
Advice

- ▶ Dimensions in millimeters (inch approximations as noted). Subject to technical modifications without notice.

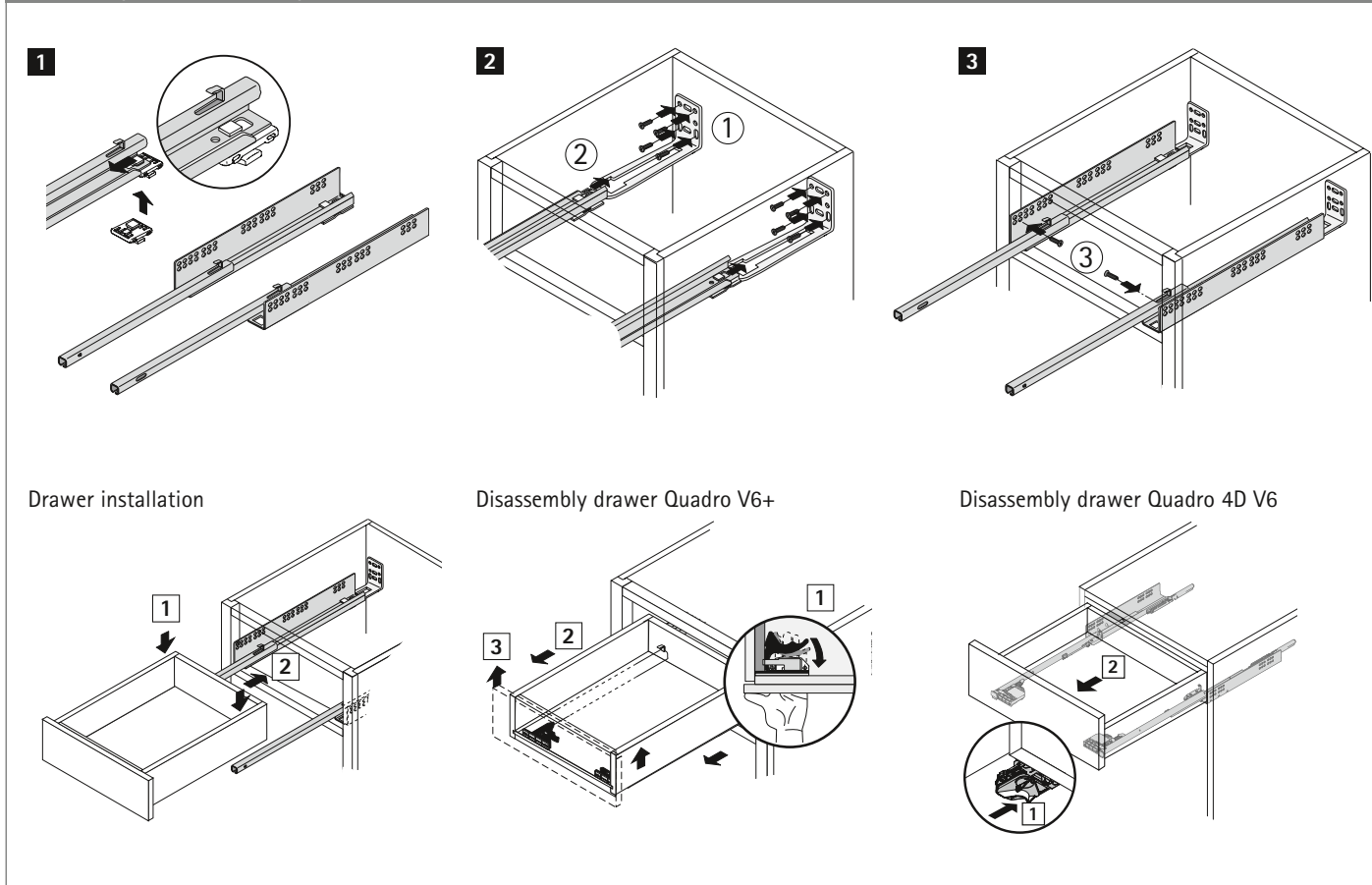
Drawer slides for wooden drawers

- ▶ Quadro
- ▶ Technical information

Assembly / Disassembly (Quadro V6)



Assembly / Disassembly (Quadro V6+ / Quadro 4D V6)



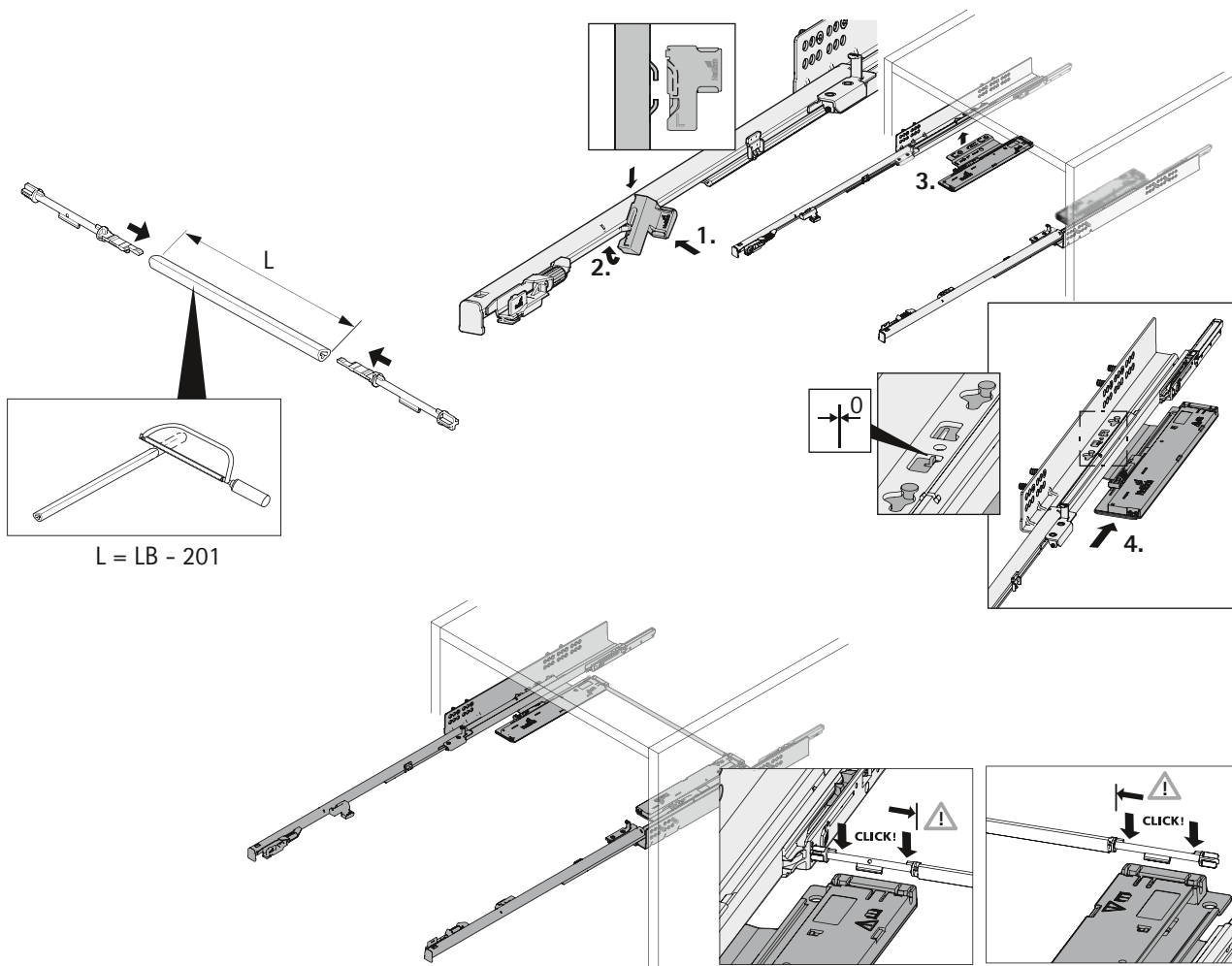
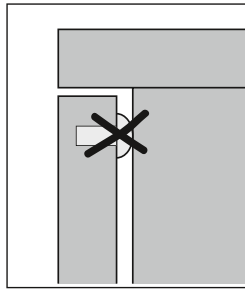
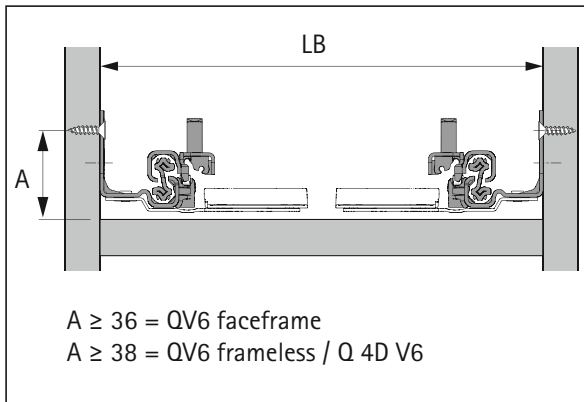
Advice

- ▶ Dimensions in millimeters (inch approximations as noted). Subject to technical modifications without notice.

Drawer slides for wooden drawers

- ▶ **Quadro**
- ▶ **Technical information**

Push to open Silent (Quadro V6 and Quadro 4D V6 with Silent System)



Advice

- ▶ Dimensions in millimeters (inch approximations as noted). Subject to technical modifications without notice.

Drawer slides for wooden drawers

- ▶ **Technical Information**
- ▶ **Legal Notice**

Application

Hettich slides are suitable for use in living room and kitchen cabinets both in the home and business environment (face frame and frameless construction).

Load capacity and over-extension guard

The load capacity ANSI/BHMA 156.9, grade 1 stated in the catalogue is understood to mean the weight of the drawer itself including contents.

All Hettich slides feature guards to prevent the drawer from rolling out and being removed unintentionally and meet the requirements of the impact test in a test frame to ANSI/BHMA 156.9, grade 1.

Fitted in the proper manner, the slides featured in this catalogue are suitable for cabinet demands as described by K.C.M.A.

Corrosion test

Hettich slide systems satisfy the requirements on corrosion defined in DIN EN 15338, 72-hour condensation-water test to DIN EN 6270.

Material specification

Zinc-plated steel slide with permanently lubricated synthetic ball bearing races, hardened steel balls; spring loaded self-closing mechanism/non-fluid damping mechanism; zinc-plated steel or synthetic rear bracket; synthetic front fixing clip.

General technical conditions

The fitting instructions, screw-fixing points and loading information specified in this catalogue assume proper attachment in a cabinet material providing a screw pull-out resistance of > 1,000 N in accordance with DIN EN 320. Hettich accepts no responsibility for the use of materials or fastening methods other than those stated. If other materials or methods of attachment are used, the cabinet manufacturer is required to verify the system's load-bearing capacity.

General terms of sale and delivery:

All products and services will be provided exclusively on the basis of our General Terms of Sale and Delivery published on our website at www.hettich-agb.com.

Legal Notice

© Hettich Marketing- und Vertriebs GmbH & Co. KG
32602 Vlotho · Germany
October 2021

We reserve all rights to this catalogue under copyright law. It shall not be permissible to duplicate this catalogue in any form either in whole or in part without our written consent. Subject to technical alterations. Errors and omissions excepted. Subject to colour variations.



www.hettich.com

Order no.: 9 308 943
1903-039-QUADRO-10/21-HUS/en

Hettich America, L.P.
4295 Hamilton Mill Road
Suite 400
Buford, GA 30518
Phone: 1-800-438-8424
Fax: 1-800-627-5152
info@hettichamerica.net

Technik für Möbel


Hettich