



INDOOR COOKING

Wall-Oven
KSO, KDO

Installation Manual

 HESTAN

WARNING

IF THE INFORMATION IN THIS MANUAL IS NOT FOLLOWED EXACTLY, A FIRE OR EXPLOSION MAY RESULT CAUSING PROPERTY DAMAGE, PERSONAL INJURY, OR DEATH.

Do not store or use gasoline or other flammable vapors and liquids in the vicinity of this or any other appliance.

Installation and service must be performed by a qualified installer or service agency.

DO NOT REPAIR, REPLACE OR REMOVE ANY PART OF THE APPLIANCE UNLESS SPECIFICALLY RECOMMENDED IN THE MANUAL. IMPROPER INSTALLATION, SERVICE OR MAINTENANCE CAN CAUSE INJURY OR PROPERTY DAMAGE. REFER TO THIS MANUAL FOR GUIDANCE. ALL OTHER SERVICING SHOULD BE DONE BY A QUALIFIED TECHNICIAN.

READ THESE INSTRUCTIONS CAREFULLY AND COMPLETELY BEFORE INSTALLING OR USING YOUR APPLIANCE TO REDUCE THE RISK OF FIRE, BURN HAZARD, OR OTHER INJURY. KEEP THIS MANUAL FOR FUTURE REFERENCE.

SAFETY DEFINITIONS



THIS INDICATES THAT DEATH OR SERIOUS INJURY MAY OCCUR AS A RESULT OF NOT OBSERVING THIS WARNING



THIS INDICATES THAT MINOR OR MODERATE INJURY MAY OCCUR AS A RESULT OF NOT OBSERVING THIS WARNING.



THIS INDICATES THAT DAMAGE TO THE APPLIANCE OR PROPERTY MAY OCCUR AS A RESULT OF NOT OBSERVING THIS WARNING.

INSTALLER: LEAVE THIS MANUAL WITH THE OWNER OF THE APPLIANCE.

HOMEOWNER: RETAIN THIS MANUAL FOR FUTURE REFERENCE.

TABLE OF CONTENTS

1	SAFETY PRECAUTIONS - BEFORE YOU BEGIN
2	MODEL NUMBERS
2	RATING LABEL
2	REGULATORY / CODE REQUIREMENTS
3	LOCATION AND INSTALLATION
9	ELECTRICAL CONNECTIONS
11	FINAL SETUP
11	SERVICE

SAFETY PRECAUTIONS - BEFORE YOU BEGIN

When properly cared for, your Hestan appliance will provide safe, reliable service for many years. When using this appliance, basic safety practices must be followed as outlined below.

IMPORTANT: Save these instructions for the local Utility Inspector's use.

INSTALLER: Please leave these Installation Instructions with the owner.

OWNER: Please retain these Installation Instructions for future reference.

This appliance is NOT designed for installation in manufactured (mobile) homes or recreational park trailers. Do NOT install this appliance outdoors.

⚠ WARNING

ELECTRICAL SHOCK HAZARD

Disconnect power before installing or servicing appliance. Before turning power ON, be sure all controls are in the OFF position. Failure to do so can result in death or electrical shock.



ELECTRICAL GROUNDING

- This appliance must be grounded. Grounding reduces the risk of electric shock in the event of a short circuit. Read the ELECTRICAL CONNECTIONS section of this manual for complete instructions.
- DO NOT ground to a gas pipe.
- DO NOT use an extension cord with this appliance.
- DO NOT have a fuse in the NEUTRAL or GROUNDING circuit. A fuse in the NEUTRAL or GROUNDING circuit could result in an electrical shock.

MODEL NUMBERS

OVEN MODELS

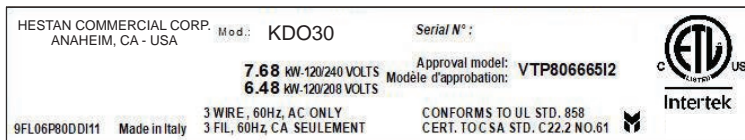
MODEL NO.	DESCRIPTION	CIRCUIT BREAKER REQ'D
KSO 30	30" Single Wall Oven	20 Amp
KDO 30	30" Double Wall Oven	40 Amp

RATING LABEL

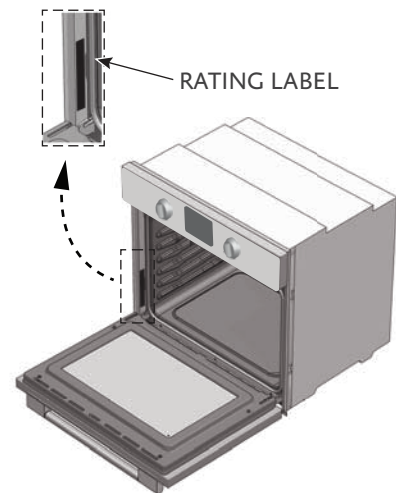
The rating label contains important information about your Hestan appliance such as the model and serial number, electrical rating and the minimum installation clearances.

The rating label is located on the left side of the oven cavity opening near the door hinge.

If service is necessary, contact Hestan Customer Service with the model and serial number information shown on the label.



TYPICAL RATING LABEL



REGULATORY / CODE REQUIREMENTS

Installation of this cooking appliance must be made in accordance with local codes. In the absence of local codes, this unit should be installed in accordance with the National Electrical Code and local codes.

This appliance must be electrically grounded in accordance with local codes or in the absence of local codes with the National Electrical Code *ANSI/NFPA 70*, or Canadian Electrical code *CSA C22.1*.

LOCATION AND INSTALLATION

UNPACKING AND PLACEMENT

Remove the outer carton and packing materials from the shipping pallet. Do not remove the plastic film covering the stainless-steel surfaces. This film protects the finish from scratches until the appliance is installed in its final position.

The unit is very heavy and should be handled with care. Use proper safety equipment, such as gloves, and at least 2 persons to move the appliance into position to avoid injury and to avoid damage to the floor or the appliance itself.

NOTICE DO NOT USE A HAND TRUCK OR DOLLY ON THE FRONT OR REAR OF THE OVEN. HANDLE AND MOVE FROM THE SIDES ONLY.

Do not lift or carry the appliance by the oven door or handle. This could damage the door hinges. Use handles on either side of oven.

PREPARATION

Before moving the oven, protect any finished flooring and remove or secure the oven door(s) closed to prevent damage. DO NOT lift the oven by the door handle. See "OVEN DOOR REMOVAL" on page 4 regarding door removal.

An approved junction box is to be installed where it will be easily reached through the front of the cabinet where the oven will be located. The oven has 3 ft. [91 cm] of conduit, an allowance of 2 to 3 ft. [61-91 cm] of slack in the line is recommended for future relocation.

- The oven support surface must be a minimum 3/4" [2 cm] plywood platform.
- For single ovens, it must support 202 pounds [92 kg].
- For double ovens, it must support 379 pounds [172 kg].
- The platform must be solid, level, and flush with the bottom of the cabinet cutout.

The oven should be located for convenient use in the kitchen, but away from strong drafts. Drafts may be caused by open doors or windows, or by heating and/or air conditioning vents or fans.

Make sure that electrical power can be provided to the location selected.

TOOLS

The following tools are needed for the installation of the oven:

- Tape measure and straight edge or ruler
- Pencil
- Philips screw driver
- Level
- Wire cutters and wire stripper
- Hand or saber saw
- 1" [2.5 cm] Hole saw
- Drill and drill bit
- Safety gloves and goggles
- Volt meter [0-250VAC]

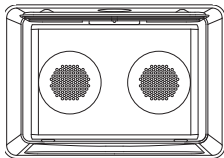
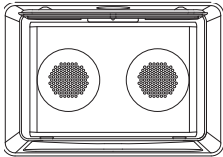
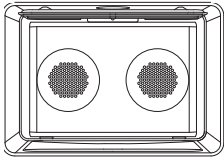
LOCATION AND INSTALLATION (CONTINUED)

STEPS FOR INSTALLATION

The following pages provide the necessary information for proper installation of the oven and are arranged as follows:

- Technical data (Electrical ratings and maximum connected load).
- Oven Door Removal - optional
- Installation cutout dimensions, required clearances and mounting instructions for:
 - Wall or under-counter installation, single oven
 - Wall installation, double oven
 - Flush installation
- Electrical supply and wiring requirements, electrical connections for 3-wire or 4-wire branch circuit. Programming required if connecting to 208 volt circuit.
- Final checklist.

TECHNICAL DATA

Oven Model	Electrical Ratings and Maximum Connected Load				
	@ 120/240 Volts 60 Hz		@ 120/208 Volts 60 Hz		
SINGLE OVEN	Amperes	kW	Amperes	kW	
	16.9	3.84	17.5	3.54	
DOUBLE OVEN	Amperes	kW	Amperes	kW	
UPPER CAVITY	LOWER CAVITY				
		33.8	7.68	32.4	6.48

OVEN DOOR REMOVAL

To reduce weight during installation or to fit through a very narrow door opening, the oven door(s) can be removed. Remove only if necessary.

Make sure oven is cool and power to the oven has been turned off before removing the door. Failure to do so could result in electrical shock or burns.

- The oven door is heavy and fragile. Use both hands to remove the oven door. The door front is glass. Handle carefully to avoid breakage.
- Grasp only the sides of the oven door. Do not grasp the handle as it may swing in your hand and cause damage or injury.
- Failure to grasp the oven door firmly and properly could result in personal injury or product damage.

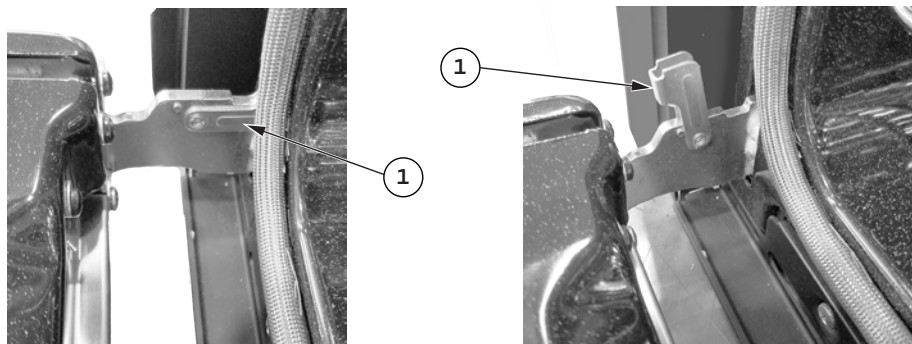
LOCATION AND INSTALLATION (CONTINUED)

EN

TO REMOVE OVEN DOOR

1. Open oven door completely.
 2. At each hinge location, swing the hinge retainer (1) up until it stops. A screwdriver may be needed to do this.
 3. Gently close the oven door until it stops against the hinge retainers. It will be nearly closed and the upper edge of the door will be slightly higher than the opening.
 4. Hold on firmly to both sides of the door (not the handle) and pull the door straight up to release the hinge arms, then pull the door away from the oven. Place the oven door in a safe location until needed.
- **NEVER release the hinge retainers and try to close the hinges.** Doing so will snap the hinges closed with great force which could cause injury

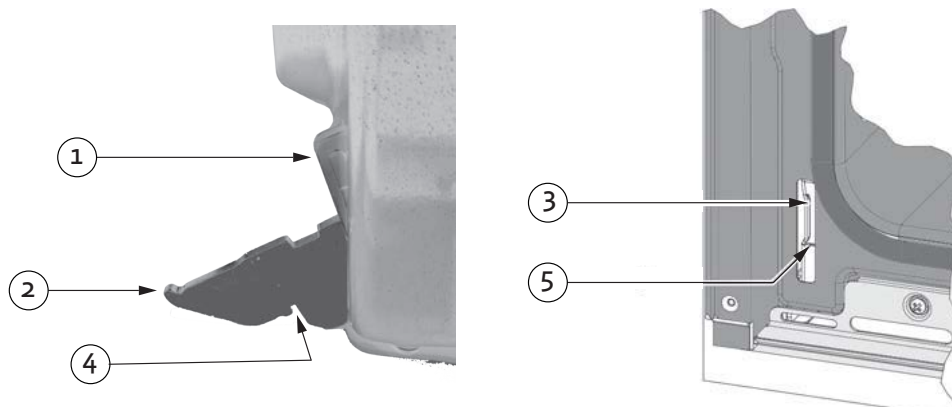
TO REMOVE THE DOOR



TO RE-INSTALL OVEN DOOR

1. Hold the door firmly on both sides (not from handle) at approximately 30° from the closed position and insert the hinges into the slots (3) in the oven.
 - The bottom edge of each hinge (2) has a notch (4) which must engage on the lip (5). **DO NOT FORCE OR BEND OR TWIST THE DOOR!**
2. Slowly open the door all the way.
3. Swing each hinge retainer (1) down until completely inside the slot opening and fully seated. A screwdriver may help you do this. NOTE: The hinge retainer will not swing into the slot opening unless the hinge arm is fully seated.
4. Gently close the oven door to check for smooth operation.

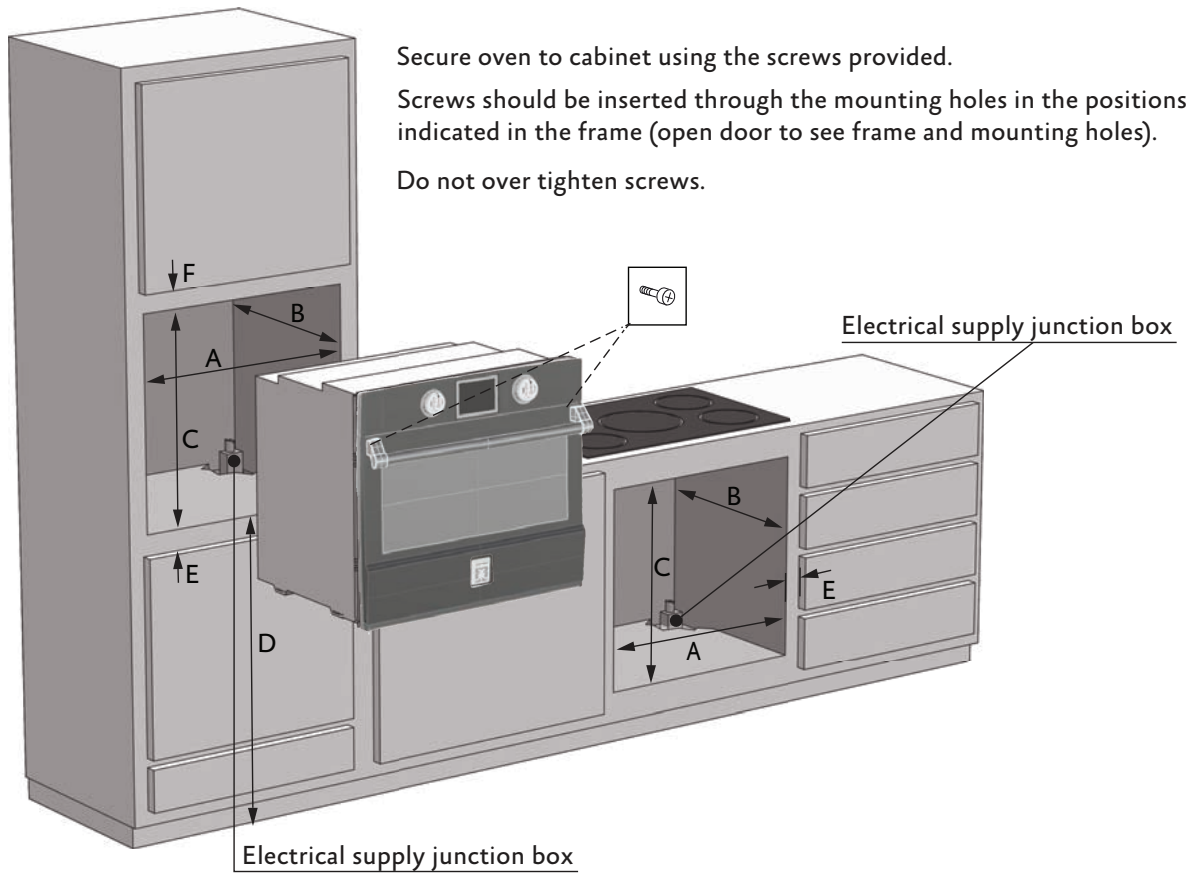
TO REPLACE THE DOOR



LOCATION AND INSTALLATION (CONTINUED)

WALL OR UNDER-COUNTER INSTALLATION, SINGLE OVEN

EN

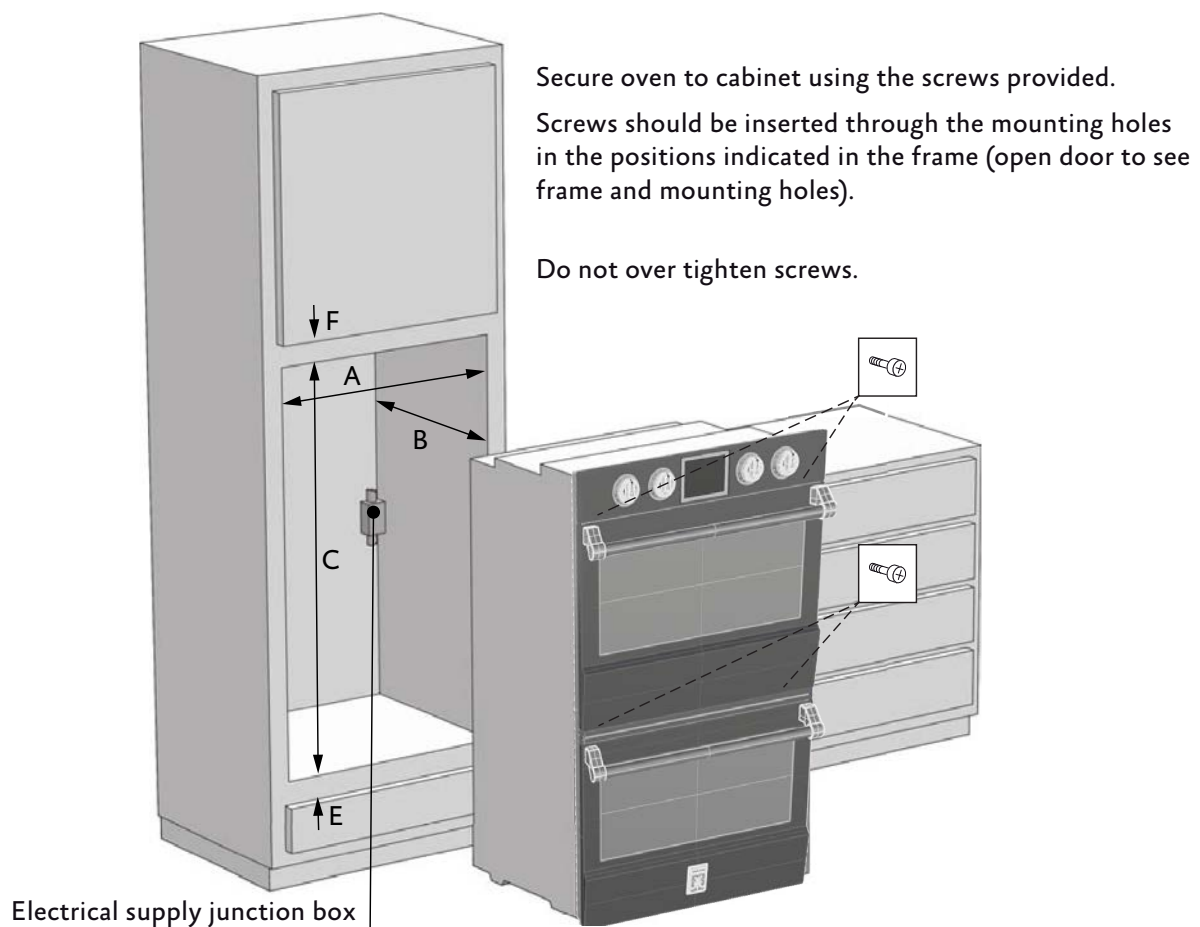


LTR.	DIMENSION	SINGLE 30"
A	Cutout Width	28 7/16" [72.2 cm]
B	Cutout Depth	24" [61 cm]
C	Cutout Height	27 3/8" [69.5 cm]
D	Bottom of Cutout to finished floor	34" [86.5 cm] recommended
E	Minimum Spacing	1/2" [1.3 cm]
F	Minimum Spacing	3/4" [1.9 cm]

LOCATION AND INSTALLATION (CONTINUED)

WALL INSTALLATION, DOUBLE OVEN

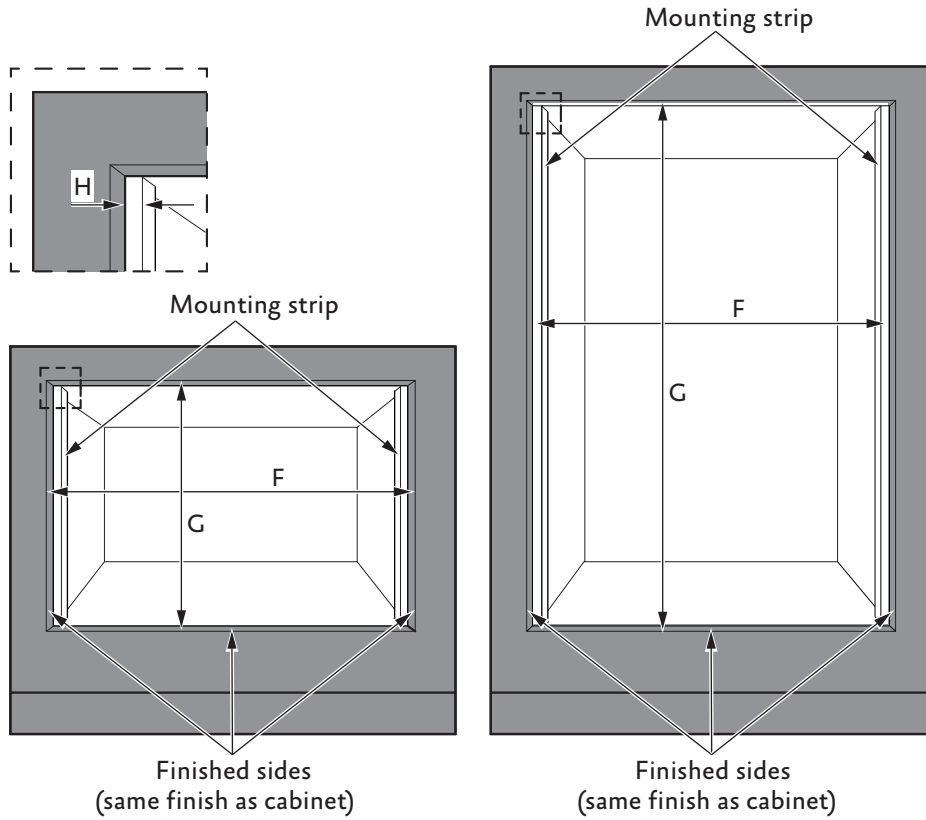
EN



LTR.	DIMENSION	DOUBLE 30"
A	Cutout Width	28 7/16" [72.2 cm]
B	Cutout Depth	24" [61 cm]
C	Cutout Height	50" [127 cm]
D	Bottom of Cutout to finished floor	N/A
E	Minimum Spacing	1/2" [1.3 cm]
F	Minimum Spacing	1 1/4" [3.2 cm]

LOCATION AND INSTALLATION (CONTINUED)

FLUSH INSTALLATION



LTR.	DIMENSION	SINGLE 30"	DOUBLE 30"
F	Cutout Width	30 1/16" [76.4 cm]	30 1/16" [76.4 cm]
G	Cutout Height	28 1/32" [71.2 cm]	51 1/4" [130.2 cm]
H	Visible part of the mounting strips	3/4" [1.9 cm]	3/4" [1.9 cm]

ELECTRICAL CONNECTIONS

⚠️ WARNING

ELECTRICAL SHOCK HAZARD

Disconnect power before installing or servicing appliance. Before turning power ON, be sure all controls are in the OFF position. Failure to do so can result in death or electrical shock.



ELECTRICAL GROUNDING

This appliance must be grounded. Grounding reduces the risk of electric shock in the event of a short circuit. Grounding through the neutral conductor is prohibited for new branch circuit installations (1996 NEC), mobile homes, and recreational vehicles, or in an area where local codes prohibit it. This oven has been setup at the factory for a 4-wire connection.

Improper grounding will cause malfunctions in the unit and create a shock hazard condition.

ELECTRICAL CONNECTION

The appliance must be on its own dedicated circuit - 240 VAC, Single Phase, 60 Hz, or 208 Volt, 60Hz, with a current rating as shown in the Model listing on page 2.

NOTE: FOR USE WITH 208 V, 60 HZ SUPPLY VOLTAGE, SEE "CONNECTING TO 208 VOLT CIRCUIT" on page 10.

For hook-up of the oven you will need to have an approved junction box installed where it will be easily reached through the front of the cabinet where the oven will be located.

The oven has 3 ft. [91 cm] of flexible conduit. DO NOT shorten the conduit. Allow of 2 to 3 ft. [61-91 cm] of slack so that the oven can be moved if servicing is ever necessary.

⚠️ WARNING

For both US and CANADA installations: This appliance is equipped with copper lead wires and must be connected to copper wires only. Improper connection of aluminum house wiring can result in a fire or shock hazard. Use only connectors designed and certified for connecting to aluminum wire, and installed by a qualified electrician.

NOTICE

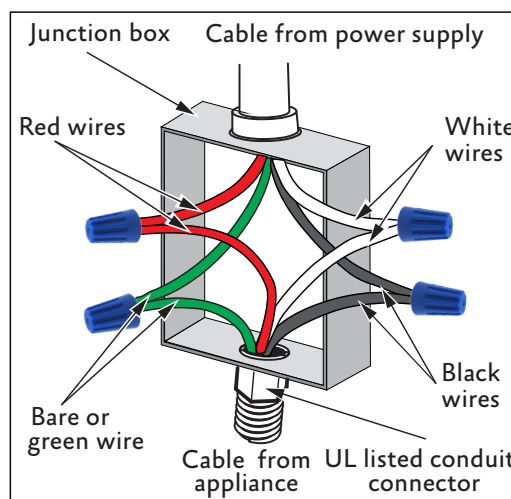
THE DOOR MUST REMAIN CLOSED WHEN POWER IS SUPPLIED TO THE APPLIANCE .

Whenever the appliance is powered up, either at installation or after a power failure, it performs a self-test of the door locking mechanism. The lock symbol will flash during the test. The door must remain closed until after the symbol stops flashing. If the door is open or an attempt is made to open it during the test it may cause damage to the lock mechanism and result in an error code.

4-WIRE CONNECTION

For installations where grounding through the neutral conductor is prohibited.

1. Make sure power is off at the supply panel / breaker.
2. Attach GREEN ground appliance wire to bare or GREEN wire in electrical box.
3. Connect WHITE neutral appliance wire to WHITE neutral wire in electrical box.
4. Connect RED (L1) appliance wire to RED red power wire in electrical box.
5. Connect BLACK (L2) appliance wire to BLACK power wire in electrical box.

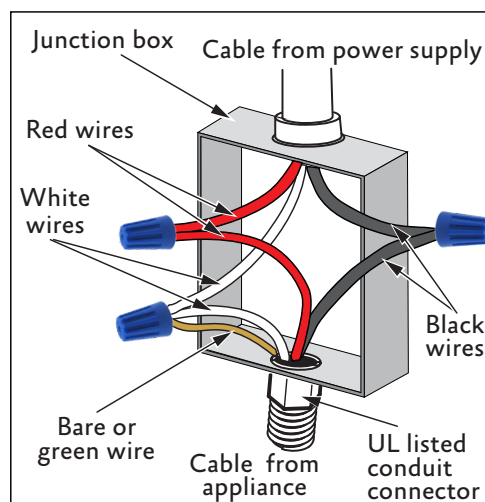


ELECTRICAL CONNECTIONS (CONTINUED)

3-WIRE CONNECTION

For installations where grounding through the neutral conductor is allowed.

1. Make sure power is off at the supply panel / breaker off.
2. Attach GREEN ground appliance wire and WHITE neutral appliance wire to WHITE neutral wire in electrical box.
3. Connect RED (L1) appliance wire to RED red power wire in electrical box.
4. Connect BLACK (L2) appliance wire to BLACK power wire in electrical box.



NOTICE THE DOOR MUST REMAIN CLOSED WHEN POWER IS SUPPLIED TO THE APPLIANCE .

Whenever the appliance is powered up, either at installation or after a power failure, it performs a self-test of the door locking mechanism. The lock symbol will flash during the test. The door must remain closed until after the symbol stops flashing. If the door is open or an attempt is made to open it during the test it may cause damage to the lock mechanism and result in an error code.

CONNECTING TO 208 VOLT CIRCUIT

For areas where standard 240 Volt service is not available, there is the option to switch to 208 volt. This option must be accessed with the oven connected to the power source, and using the following sequence:

1. Within five minutes from power up, hold **MENU** and **TIME** keys for 3 seconds to enter the user option menu. The display shows as follows:



2. Hold **TIME** and **LIGHT** keys until the display becomes dark.
3. Hold **MENU** and **LIGHT** keys until the time display shows "Volt" and temperature module shows "240" (or 208) blinking.



4. Press **+** or **-** keys to toggle between 240V and 208V options. Press **MENU** to confirm. (numeric value stops blinking)
5. Hold **TIME** and **LIGHT** keys to return to the user option menu.
6. Hold **MENU** key for 3 seconds to quit the user option menu.
- The voltage setting is stored and kept even after a long power-off.

FINAL SETUP

Remove any final packaging materials and protective film from all exterior areas. Check inside oven for other packaging items, tape on oven racks, etc.

Check the electrical requirements for the correct electrical supply and that the oven is properly grounded.

Before testing operation of the appliance, verify all knobs are in the OFF position, and the electrical power has been restored to the unit.

Check power at the junction box wires using a voltmeter having a range of 0-250 VAC.

- A 240 Volt supply should read 220 to 240 Volts between the black and red wires (Line to Line)
- A 208 Volt supply should read 190 to 208 Volts between the black and red wires.

NOTICE THE DOOR MUST REMAIN CLOSED WHEN POWER IS SUPPLIED TO THE APPLIANCE .

Whenever the appliance is powered up, either at installation or after a power failure, it performs a self-test of the door locking mechanism. The lock symbol will flash during the test. The door must remain closed until after the symbol stops flashing. If the door is open or an attempt is made to open it during the test it may cause damage to the lock mechanism and result in an error code.

- At power-up, if any of the control knobs are not in the OFF position, the oven will not operate. Set all the knobs to OFF, and then the oven will operate.

TO SET THE CLOCK, FOLLOW THESE STEPS:

1. Press **TIME** key twice until the display shows "SET TIME".
 2. Immediately press **+** or **-** keys to set hours.
 3. Press **TIME** key again to set minutes.
 4. Immediately press **+** or **-** keys to set minutes, hold to change by ten (10) minute steps.
 5. Press **TIME** key or wait for a few seconds.
- The clock is now set.

TEST THE BAKE MODE BY FOLLOWING THESE STEPS:

1. Move cooking mode knob to "BAKE" position.
 - Cooling fan, oven lights, preheat light will turn on.
 - A beep is sounded when the oven reaches the preset 350 °F [175 °C] and the preheat light turns off.
2. Move the knob back to "OFF" position to stop cooking.
3. For dual oven models, test both ovens for function. When you adjust a control knob, the display will show information about that cavity.
4. Press the **UPPER LOWER** key to select cavity for operating information and timer control.
 - To check the other oven functions refer to the "Using the Oven Controls" section of the USE AND CARE MANUAL.
 - Leave these INSTALLATION instructions as well as the USE AND CARE MANUAL with the owner.



BAKE symbol

SERVICE

All warranty and non-warranty repairs should be performed by qualified service personnel. To locate an authorized service agent in your area, contact your Hestan dealer, local representative, or the manufacturer. Before you call, please have the model number and serial number information on hand.

Hestan Commercial Corp.
3375 E. La Palma Avenue
Anaheim, CA 92806
(888) 905-7463

AVERTISSEMENT

L'INOBSERVATION DES INFORMATIONS DONNÉES DANS CE MANUEL PEUT ENTRAÎNER UN INCENDIE OU UNE EXPLOSION DE NATURE À CAUSER DES DÉGÂTS MATÉRIELS ET DES BLESSURES GRAVES, VOIRE MORTELLES.

Ne pas entreposer ni utiliser de l'essence ni d'autres vapeurs ou liquides inflammables dans le voisinage de l'appareil, ni de tout autre appareil.

L'installation et l'entretien doivent être effectués par un installateur qualifié, ou une agence de service.

NE PAS RÉPARER NI REMPLACER DES PIÈCES DE L'APPAREIL À MOINS QUE CELA NE SOIT EXPRESSÉMENT RECOMMANDÉ DANS LE MANUEL. TOUTE INSTALLATION, RÉPARATION OU MAINTENANCE INADÉQUATE PEUT ENTRAÎNER DES BLESSURES OU DES DOMMAGES MATÉRIELS. CONSULTER CE MANUEL POUR OBTENIR DES CONSEILS SUR LA FAÇON DE PROCÉDER. TOUS LES TRAVAUX D'ENTRETIEN DOIVENT ÊTRE CONFIEÉS À UN TECHNICIEN QUALIFIÉ.

LISEZ ATTENTIVEMENT ET COMPLÈTEMENT CES INSTRUCTIONS AVANT D'INSTALLER OU D'UTILISER VOTRE APPAREIL AFIN DE RÉDUIRE LES RISQUES D'INCENDIE, DE BRÛLURE OU D'AUTRES BLESSURES. CONSERVER CE MANUEL POUR RÉFÉRENCE FUTURE.

DÉFINITIONS DE SÉCURITÉ

AVERTISSEMENT

CECI INDIQUE QUE L'INOBSERVATION DE CET AVERTISSEMENT PEUT ENTRAÎNER DES BLESSURES GRAVES VOIRE MORTELLES.

PRÉCAUTION

CECI INDIQUE QUE L'INOBSERVATION DE CET AVERTISSEMENT PEUT ENTRAÎNER DES BLESSURES MINEURES OU MODÉRÉES.

AVIS

CECI INDIQUE QUE L'INOBSERVATION DE CET AVERTISSEMENT PEUT ENTRAÎNER DES DOMMAGES DE L'APPAREIL OU DES DÉGÂTS MATÉRIELS.

INSTALLATEUR: LAISSER CE MANUEL AVEC LE PROPRIÉTAIRE DE L'APPAREIL.

PROPRIÉTAIRE: CONSERVEZ CE MANUEL POUR RÉFÉRENCE FUTURE.

TABLE DES MATIÈRES

1	PRÉCAUTIONS DE SÉCURITÉ - AVANT DE COMMENCER
2	NUMÉROS DE MODÈLE
2	PLAQUE SIGNALÉTIQUE
2	RESPECT DE LA RÉGLEMENTATION ET DES CODES EN VIGUEUR
3	EMPLACEMENT ET INSTALLATION
10	BRANCHEMENTS ÉLECTRIQUES
12	PHASE FINALE DE L'INSTALLATION
13	SERVICE

FR

PRÉCAUTIONS DE SÉCURITÉ - AVANT DE COMMENCER

S'il est bien entretenu, cet appareil Hestan procurera un service sûr et fiable pendant de nombreuses années. Lorsqu'on se sert de cet appareil, les pratiques élémentaires suivantes en matière de sécurité doivent être adoptées.

IMPORTANT: Conservez ces instructions pour l'utilisation locale des services publics.

INSTALLATEUR: Veuillez laisser ces instructions d'installation avec le propriétaire.

PROPRIÉTAIRE: Veuillez conserver ces instructions d'installation pour référence future.

Cette appareil est conçue pour un usage domestique uniquement. Elle ne l'est PAS pour être installée dans des maisons préfabriquées (mobiles) ou dans des véhicules récréatifs. N'installez PAS cette appareil à l'extérieur.

AVERTISSEMENT

RISQUE DE CHOC ÉLECTRIQUE

Débranchez l'alimentation avant d'installer ou d'entretenir l'appareil. Avant de le mettre sous tension, assurez-vous que toutes les commandes sont en position «OFF». Ne pas le faire peut entraîner la mort ou un choc électrique.



MISE À LA TERRE ÉLECTRIQUE

- Cet appareil doit être mis à la terre. La mise à la terre réduit le risque de choc électrique en cas de court-circuit. Lisez la section « BRANCHEMENTS ÉLECTRIQUES » à la page 9 de ce manuel pour des instructions complètes.
- NE PAS mettre à la terre une conduite de gaz.
- N'utilisez PAS de rallonge avec cet appareil.
- NE PAS utiliser de fusible dans le circuit NEUTRE ou MISE À LA TERRE. Un fusible dans le circuit NEUTRE ou MISE À LA TERRE peut provoquer un choc électrique.

NUMÉROS DE MODÈLE

MODÈLES DE FOUR

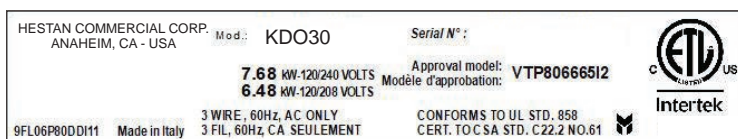
MODEL NO.	DESCRIPTION	DISJONCTEUR REQUIS
KSO 30	Four Simple, 30 po	20 Ampères
KDO 30	Four Double, 30 po	40 Ampères

PLAQUE SIGNALÉTIQUE

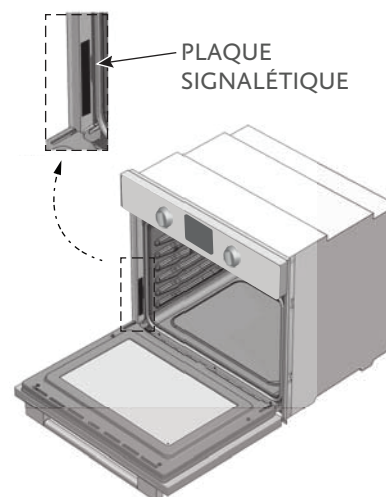
La plaque signalétique donne des informations importantes sur cet appareil Hestan telles que les numéros de série et de modèle et les dégagements minima d'installation.

La plaque signalétique se trouve sur le côté gauche de l'ouverture de la cavité du four à proximité de la charnière de porte.

Si un entretien est nécessaire, contactez le service clientèle de Hestan avec les informations sur le modèle et le numéro de série figurant sur la plaque.



PLAQUE SIGNALÉTIQUE TYPIQUE



RESPECT DE LA RÉGLEMENTATION ET DES CODES EN VIGUEUR

L'installation de cet appareil de cuisson doit être effectuée conformément aux codes locaux. En l'absence de tels codes, installer cet appareil conformément au National Electrical Code et les codes locaux.

Tous les composants électriques doivent être mis à la terre conformément aux codes locaux ou, en l'absence de tels codes, au National Electrical Code ANSI/NFPA 70 ou au Code national de l'électricité du Canada CSA C22.1.

EMPLACEMENT ET INSTALLATION

DÉBALLAGE ET PLACEMENT

Retirez le carton extérieur et les matériaux d'emballage de la palette d'expédition. Ne retirez pas le film plastique recouvrant les surfaces en acier inoxydable. Ce film protège la finition contre les rayures jusqu'à ce que l'appareil soit installé dans sa position finale.

L'unité est très lourde et doit être manipulée avec soin. Utilisez un équipement de sécurité approprié, tel que des gants, et au moins 2 personnes pour mettre l'appareil en position pour éviter les blessures et éviter d'endommager le sol ou l'appareil lui-même.

AVIS N'UTILISEZ PAS DE CHARIOT À BRAS À L'AVANT OU À L'ARRIÈRE DE LA FOUR. MANIPULER ET DÉPLACER DEPUIS LES CÔTÉS.

Ne soulevez ou ne portez pas l'appareil en le tenant par la porte ou la poignée du four. Cela pourrait endommager les charnières de la porte. Utilisez des poignées de chaque côté du four.

PRÉPARATION

Avant de déplacer le four, protégez tout revêtement de sol fini et enlevez ou verrouillez la (les) porte(s) du four fermé pour éviter les dommages. NE PAS soulever le four par la poignée de la porte. Voir «RETRAIT DE LA PORTE DU FOUR» à la page 4 concernant le retrait de la porte.

Une boîte de jonction approuvée doit être installée là où elle sera facilement accessible par l'avant de l'armoire où le four sera situé. Le four comprend 3 pieds [91 cm] de conduit flexible, une allocation de 2-3 pieds [61-91 cm] de relâchement dans la ligne est recommandé pour le déplacement futur.

- La surface de support du four doit être une plate-forme de contreplaqué de 3/4 po [2 cm] min.
- Pour les fours simples, il doit supporter 202 livres [92 kg].
- Pour les fours doubles, il doit supporter 379 livres [172 kg].
- Le plate-forme doit être solide, de niveau et aligné avec le fond de la découpe de l'armoire.

Le four devrait être situé pour une utilisation pratique dans la cuisine, mais loin des forts courants d'air. Les brouillards peuvent être causés par des portes ou des fenêtres ouvertes, ou par des bouches de chauffage et /ou de climatisation ou des ventilateurs.

Assurez-vous que l'alimentation électrique peut être fournie à l'emplacement sélectionné.

OUTILS NÉCESSAIRES

Vous aurez besoin des outils suivants pour installer votre nouveau four :

- Mètre enrouleur et règle à tracer ou règle
- Crayon
- Tournevis Philips
- Niveau
- Pince coupante de fils électriques et des dénude - fil
- Scie sauteuse ou scie à main
- Scie - cloche de 1 po [2,5 cm]
- Mèche et perceuse
- Gants et lunettes de sécurité
- Voltmètre [0-250VAC]

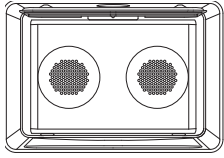
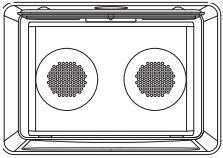
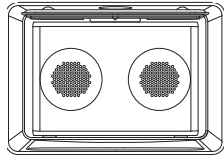
EMPLACEMENT ET INSTALLATION (SUITE)

ETAPES DE L'INSTALLATION

Les pages suivantes fournissent les informations nécessaires pour l'installation propre du four dans l'ordre suivant :

- Données techniques (caractéristiques électriques et charge maximale connectée).
- Retirer et installer la (les) porte (s) du four.
- Dimensions de découpe de l'installation, espace libre nécessaire et instructions de montage pour :
 - Installation murale ou sous comptoir, four simple
 - Installation des parois, four double
 - Installation encastrée
- Exigences d'alimentation électrique et de câblage, connexions électriques pour dérivation à 3 ou 4 fils circuit. Programmation requise en cas de connexion à un circuit de 208 volts.
- Liste finale de vérifications.

DONNÉES TECHNIQUES

MODÈLE DU FOUR	Caractéristiques électriques et puissance raccordée maximum			
	@ 120/240 Volts 60 Hz		@ 120/208 Volts 60 Hz	
FOUR SIMPLE 	Ampères	kW	Ampères	kW
	16,9	3,84	17,5	3,54
FOUR DOUBLE	Ampères	kW	Ampères	kW
CAVITÉ SUPERIEURE 	33,8	7,68	32,4	6,48
CAVITÉ INFÉRIEURE 				

RETRAIT DE LA PORTE DU FOUR

Pour réduire le poids lors de l'installation ou pour passer à travers une ouverture de porte très étroite, les portes du four peuvent être enlevées. Retirez les portes seulement si nécessaire.

Assurez-vous que le four est froid et que l'alimentation du four a été coupée avant de retirer la porte. Ne pas le faire pourrait entraîner un choc électrique ou des brûlures.

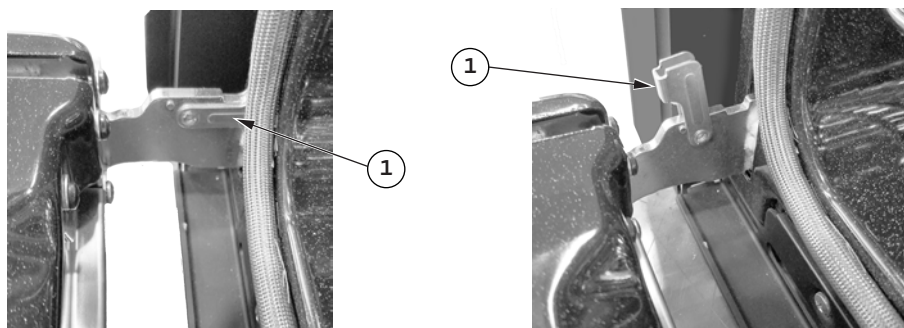
- La porte du four est lourde et fragile. Utilisez les deux mains pour retirer la porte du four. L'avant de la porte est en verre. Manipuler avec soin pour éviter la casse.
- Tenez fermement les deux côtés de la porte du four. Ne saisissez pas la poignée car elle pourrait se balancer dans votre main et causer des dommages ou des blessures.
- Si vous ne tenez pas fermement et correctement la porte du four, vous pourriez vous blesser ou endommager le produit.

EMPLACEMENT ET INSTALLATION (SUITE)

POUR ENLEVER LA PORTE DU FOUR

1. Ouvrez la porte du four complètement.
 2. À chaque emplacement de la charnière, faites pivoter le dispositif de retenue de la charnière (1) jusqu'à ce qu'il s'arrête. Un tournevis peut être nécessaire pour ce faire.
 3. Fermez doucement la porte du four jusqu'à ce qu'elle s'arrête contre les dispositifs de retenue de la charnière. Il sera presque fermé et le bord supérieur de la porte sera légèrement plus haut que l'ouverture.
 4. Tenez les deux côtés de la porte fermement (pas la poignée) et tirez la porte vers le haut pour libérer le bras de charnière (4), puis retirez la porte du four. Placez la porte du four dans un endroit sûr jusqu'à ce que nécessaire
- **NE JAMAIS** relâcher les dispositifs de retenue de la charnière et essayer de fermer les charnières. Cela fermera les charnières avec une grande force, ce qui pourrait causer des blessures.

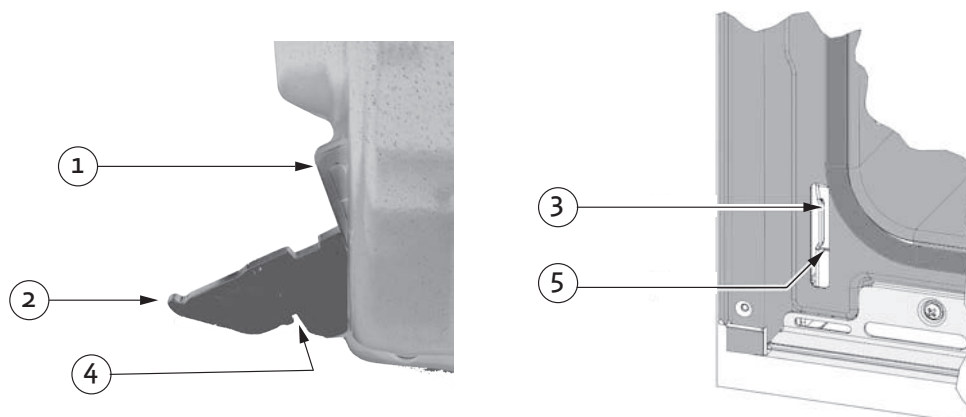
POUR ENLEVER LA PORTE



RÉINSTALLATION DE LA PORTE

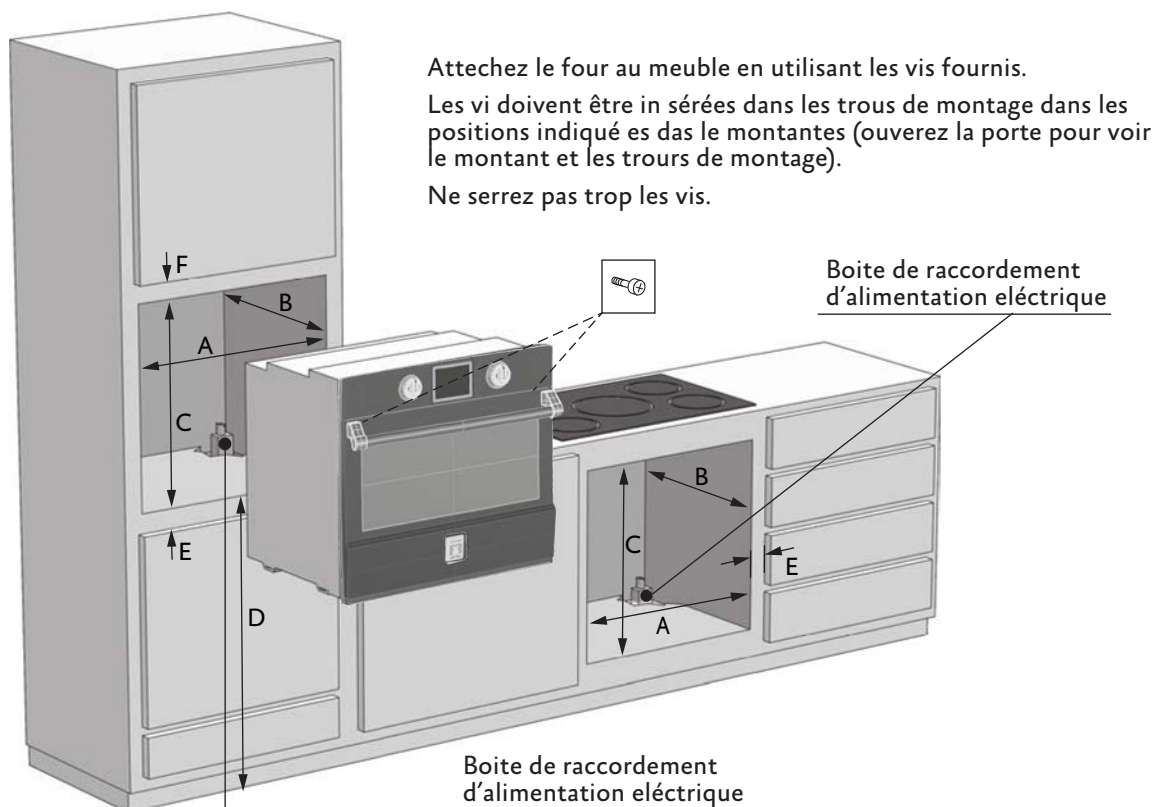
1. Tenez fermement la porte des deux côtés (pas de la poignée) à environ 30 ° de la position fermée et insérez les charnières dans les fentes (3) du four.
 - Le bord inférieur de chaque charnière (2) comporte une encoche (4) qui doit s'engager sur la lèvres (5).
2. Lentement ouvrir la porte tout le chemin.
3. Faites pivoter chaque dispositif de retenue de la charnière (1) jusqu'à ce qu'il soit complètement à l'intérieur de l'ouverture de la fente et complètement inséré. Un tournevis peut vous aider à le faire. REMARQUE: Le dispositif de retenue de la charnière ne peut pas basculer dans l'ouverture de la fente sans que le bras de la charnière soit complètement inséré.
4. Fermez doucement la porte du four pour vérifier son bon fonctionnement.

RÉINSTALLATION DE LA PORTE



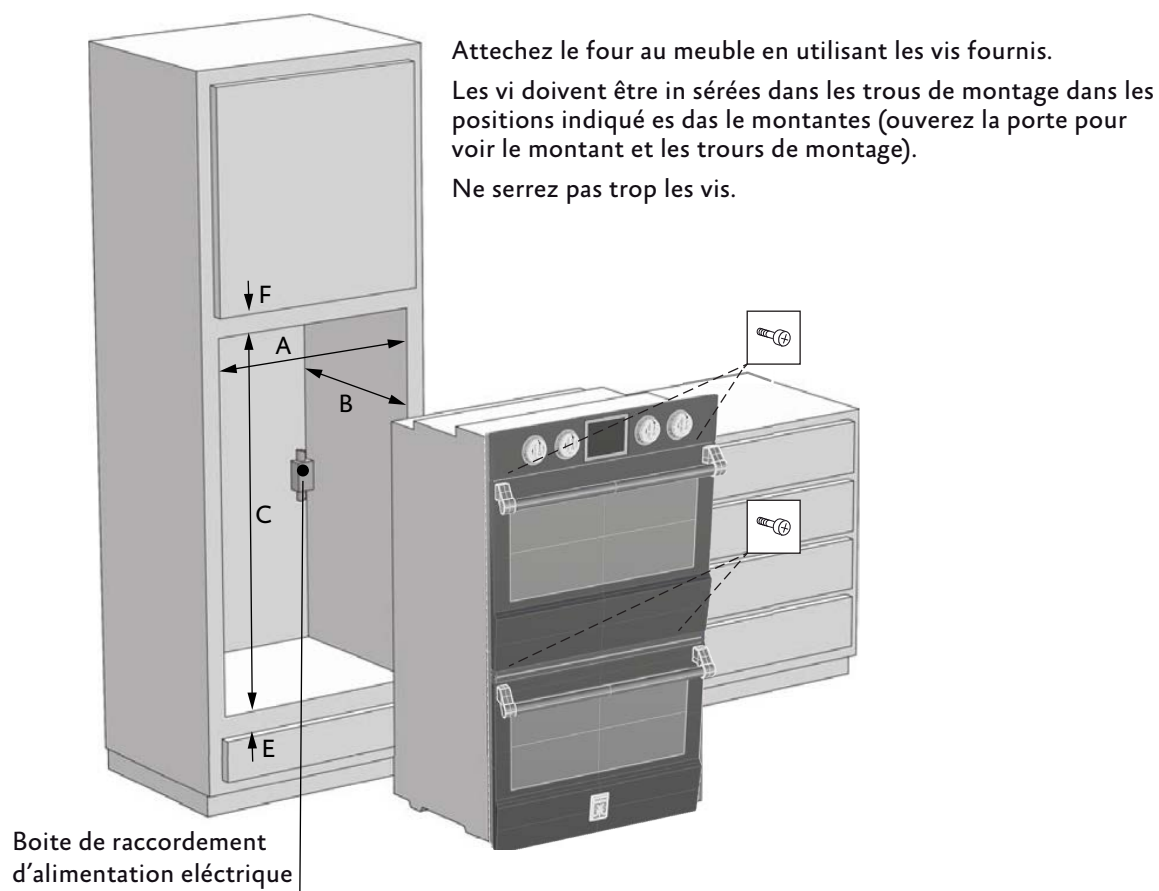
EMPLACEMENT ET INSTALLATION (SUITE)

INSTALLATION MURALE OU SOUS COMPTOIR, FOUR SIMPLE



LTR.	DIMENSION	SIMPLE 30 PO
A	Découpe largeur	28 7/16 po [72,2 cm]
B	Découpe profondeur	24 po [61 cm]
C	Découpe hauteur	27 3/8 po [69,5 cm]
D	Fond de la découpe	34 po [86,5 cm]
E	Dégagement minimum	1/2 po [1,3 cm]
F	Dégagement minimum	3/4 po [1,9 cm]

INSTALLATION DES PAROIS, FOUR DOUBLE

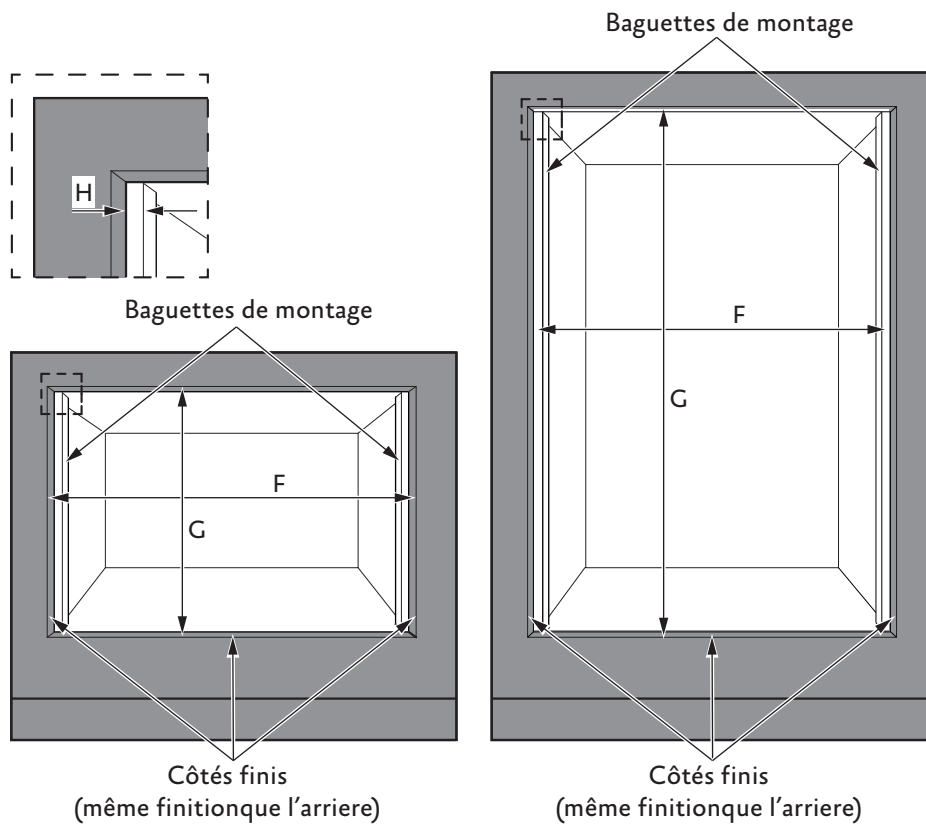


LTR.	DIMENSION	DOUBLE 30 PO
A	Découpe largeur	28 7/16 po [72,2 cm]
B	Découpe profondeur	24 po [61 cm]
C	Découpe hauteur	50 po [127 cm]
D	Fond de la découpe	N/A
E	Dégagement minimum	1/2 po [1,3 cm]
F	Dégagement minimum	1 1/4 po [3,2 cm]

EMPLACEMENT ET INSTALLATION (SUITE)

INSTALLATION ENCASTRÉE

FR



LTR.	DIMENSION	SIMPLE 30 PO	DOUBLE 30 PO
F	Découpe largeur	30 1/16 po [76,4 cm]	30 1/16 po [76,4 cm]
G	Découpe hauteur	28 1/32 po [71,2 cm]	51 1/4 po [130,2 cm]
H	Partie visible des bandes de support	3/4 po [1,9 cm]	3/4 po [1,9 cm]

BRANCHEMENTS ÉLECTRIQUES

⚠️ AVERTISSEMENT

RISQUE DE CHOC ÉLECTRIQUE

Débranchez l'alimentation avant d'installer ou d'entretenir l'appareil. Avant de le mettre l'appareil sous tension, assurez-vous que toutes les commandes sont en position «OFF». Ne pas le faire peut entraîner la mort ou un choc électrique.



MISE À LA TERRE ÉLECTRIQUE

Cet appareil doit être mis à la terre. La mise à la terre réduit le risque de choc électrique en cas de court-circuit. La mise à la terre par le conducteur neutre est interdite pour les nouvelles installations de circuit de dérivation (1996 NEC), ainsi dans les maisons mobiles et les véhicules récréatifs, ou dans une zone où les codes locaux l'interdisent. Cette appareil a été configurée à l'usine pour un branchement à 4 fils.

Une mise à la terre incorrecte provoquera des dysfonctionnements dans l'appareil et créera une situation de risque d'électrocution.

BRANCHEMENTS ÉLECTRIQUES

L'appareil doit avoir son propre circuit distinct - 240 VAC, monophasé, 60 Hz ou 208 volts, 60Hz. avec un ampérage comme indiqué dans la liste des numéros de modèle à la page à la page 4.

REMARQUE: POUR UTILISATION AVEC UNE TENSION D'ALIMENTATION DE 208 V, 60 HZ, VOIR «CONNEXION A UN CIRCUIT 208 VOLT» à la page 11.

Pour le branchement du four, vous devrez installer une boîte de jonction approuvée à un endroit facilement accessible à l'avant du meuble où le four sera installé.

Le four comprend 3 pieds [91 cm] de conduit flexible. NE PAS raccourcir le conduit. Une allocation de 2-3 pieds [61-91 cm] de relâchement dans la ligne est recommandé si l'entretien du four est nécessaire.

⚠️ AVERTISSEMENT

Pour les installations aux États-Unis et au Canada: Cet appareil est équipé de fils de cuivre et il doit être connecté uniquement à des fils de cuivre. Une connexion inadéquate du câble électrique en aluminium peut entraîner un risque d'incendie ou d'électrocution. Utilisez uniquement des connecteurs conçus et certifiés pour la connexion au fil d'aluminium et installés par un électricien qualifié.

AVIS

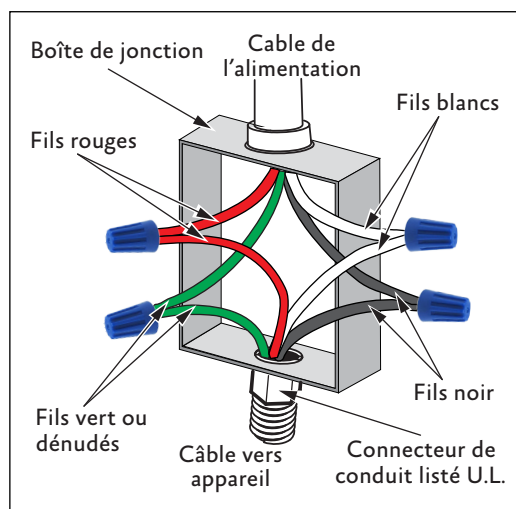
LA PORTE DOIT RESTER FERMÉE LORSQUE L'ALIMENTATION EST FOURNIE À L'APPAREIL

Chaque fois que l'appareil est mis sous tension, lors de l'installation ou après une panne de courant, il effectue un test automatique du mécanisme de verrouillage de la porte. Le symbole de verrouillage clignote pendant le test. La porte doit rester fermée jusqu'à ce que le symbole cesse de clignoter. Si la porte est ouverte ou si vous tentez de l'ouvrir pendant le test, cela peut endommager le mécanisme de verrouillage et provoquer un code d'erreur.

POUR UNE CONNEXION À 4 FILS

Pour les installations où la mise à la terre par le conducteur neutre est prohibée.

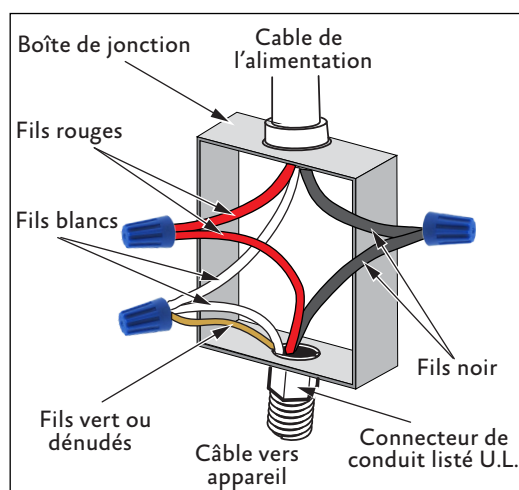
1. Assurez-vous que le panneau d'alimentation / disjoncteur est hors tension.
2. Raccordez le fil de terre VERT de l'appareil du circuit d'alimentation ou du cordon au châssis à l'aide de la vis de mise à la terre.
3. Raccordez le fil neutre BLANC de l'appareil au fil neutre BLANC du boîtier électrique.
4. Raccordez le fil ROUGE (L1) de l'appareil au fil d'alimentation ROUGE du boîtier électrique.
5. Raccordez le fil NOIR (L2) de l'appareil au fil d'alimentation NOIR du boîtier électrique.



POUR UNE CONNEXION À 3 FILS

Pour les installations où la mise à la terre par le conducteur neutre est autorisée.

1. Assurez-vous que le panneau d'alimentation / disjoncteur est hors tension.
2. Retirez le panneau d'accès étroit à l'arrière de la appareil et repérez la borne du châssis. Raccordez le fil de terre VERT et le fil neutre BLANC de l'appareil au fil neutre BLANC du boîtier électrique.
3. Raccordez le fil ROUGE (L1) de l'appareil au fil d'alimentation ROUGE du boîtier électrique.
4. Raccordez le fil NOIR (L2) de l'appareil au fil d'alimentation NOIR du boîtier électrique.



BRANCHEMENTS ÉLECTRIQUES (SUITE)

AVIS

LA PORTE DOIT RESTER FERMÉE LORSQUE L'ALIMENTATION EST FOURNIE À L'APPAREIL

Chaque fois que l'appareil est mis sous tension, lors de l'installation ou après une panne de courant, il effectue un test automatique du mécanisme de verrouillage de la porte. Le symbole de verrouillage clignote pendant le test. La porte doit rester fermée jusqu'à ce que le symbole cesse de clignoter. Si la porte est ouverte ou si vous tentez de l'ouvrir pendant le test, cela peut endommager le mécanisme de verrouillage et provoquer un code d'erreur.

CONNEXION A UN CIRCUIT 208 VOLT

Cette option existe pour les régions où le standard de 240 Volt n'est pas disponible. Il faut accéder à cette option quand le four est branché à une source d'alimentation, et en utilisant les séquences suivantes:

1. Dans les cinq minutes après avoir allumé le four, appuyés sur les clés **MENU** et **TIME** pendant 3 secondes pour accéder au menu d'options utilisateur. L'affichage indique ce qui suit:



2. Appuyez sur les clés **TIME** et **LIGHT** jusqu'à ce que l'écran ne s'assombrisse.
3. Appuyez sur **MENU** et **LIGHT** jusqu'à ce que l'affichage horaire indique «Volt» et que le module température clignote un «240» (ou «208»), attendant une entrée.



4. En utilisant les clés + ou -, la commande alterne entre les options 240V et 208V. Appuyez sur **MENU** pour confirmer.
5. Maintenez les touches **TIME** et **LIGHT** pour retourner au menu des options de l'utilisateur.
6. Maintenez la clé **MENU** pendant 3 secondes pour quitter le menu option utilisateur.

 - Le réglage de la tension est enregistré et gardé même après une longue coupure.

PHASE FINALE DE L'INSTALLATION

Enlevez les matériaux d'emballage final et les films protecteurs de toutes les zones extérieures. Vérifiez à l'intérieur du four pour voir s'il y a d'autres articles d'emballage, du ruban adhésif sur les grilles du four, etc.

Vérifiez les exigences électriques pour l'alimentation électrique correcte et que le four est correctement mis à la terre.

Avant de tester le fonctionnement de l'appareil, vérifiez que tous les boutons de commande sont en position «OFF» et que l'appareil a été remis sous tension.

Vérifiez l'alimentation aux fils de la boîte de jonction à l'aide d'un voltmètre ayant une plage de 0-250 VCA.

- Une alimentation de 240 V devrait lire de 220 à 240 V entre les fils noir et rouge (Ligne à ligne)
- Une alimentation de 208 V devrait lire 190 à 208 V entre les fils noirs et rouges.

PHASE FINALE DE L'INSTALLATION (SUITE)

AVIS

LA PORTE DOIT RESTER FERMÉE LORSQUE L'ALIMENTATION EST FOURNIE À L'APPAREIL

Chaque fois que l'appareil est mis sous tension, lors de l'installation ou après une panne de courant, il effectue un test automatique du mécanisme de verrouillage de la porte. Le symbole de verrouillage clignote pendant le test. La porte doit rester fermée jusqu'à ce que le symbole cesse de clignoter. Si la porte est ouverte ou si vous tentez de l'ouvrir pendant le test, cela peut endommager le mécanisme de verrouillage et provoquer un code d'erreur.

- À la mise sous tension, si l'un des boutons de commande n'est pas en position «OFF», le four ne fonctionnera pas. Réglez tous les boutons sur «OFF», puis le four fonctionnera.

RÉGLEZ L'HORLOGE EN SUIVANT LES ÉTAPES SUIVANTES:

1. Appuyez sur la clé **TIME** deux fois jusqu'à ce que l'affichage indique «SET TIME».
 2. Appuyez immédiatement sur les clés + ou - pour régler l'heure.
 3. Appuyez sur la clé **TIME** pour changer les minutes.
 4. Appuyez immédiatement sur les clés + ou - pour régler les minutes, maintenez pour changer par étape de dix (10) minutes.
 5. Appuyez sur la clé **TIME** ou attendez pendant quelques secondes.
- L'horloge est maintenant réglée.

TESTEZ LE MODE CUISSON EN SUIVANT LES ÉTAPES SUIVANTES:

1. Déplacez le bouton mode cuisson sur la position «BAKE».
- Le ventilateur de refroidissement, l'éclairage du four, le voyant de préchauffage s'allument.
 - Un bip sonne lorsque le four atteint le prééchauffage de 350°F [175°C] et le voyant de préchauffage s'éteint.
2. Déplacez le bouton sur la position «OFF» pour arrêter le refroidissement.
 3. Pour les modèles à deux fours, testez les deux fours pour la fonction. Lorsque vous ajustez un bouton de commande, l'écran affiche des informations sur cette cavité.
4. Appuyez sur la clé **UPPER LOWER** pour sélectionner cavité pour l'affichage et le contrôle.
- Pour vérifier les autres fonctions du four, reportez-vous à la section «Utilisation des commandes du four» dans le MANUEL D'UTILISATION ET D'ENTRETIEN.
 - Donnez ces instructions d'INSTALLATION comme le MANUEL D'UTILISATION ET D'ENTRETIEN au propriétaire.



Symbole de BAKE
(cuisson)

SERVICE

Toutes les réparations sous garantie et hors garantie doivent être effectuées par un technicien qualifié. Pour trouver un réparateur agréé dans votre région, contactez votre concessionnaire Hestan, votre représentant local ou le fabricant. Avant d'appeler, veuillez avoir sous la main le numéro de modèle et le numéro de série.

Hestan Commercial Corp.
3375 E. La Palma Avenue
Anaheim, CA 92806
(888) 905-7463

Cette page a été intentionnellement laissée vierge

**RETAIN THIS MANUAL FOR FUTURE REFERENCE
CONSERVEZ CE MANUEL POUR UNE RÉFÉRENCE FUTURE**



Hestan Commercial Corporation

3375 E. La Palma Avenue
Anaheim, CA 92806
(888) 905-7463