



INDOOR COOKING

Drop-in Gas Cooktop
KGC

Installation Manual

 HESTAN

⚠️ WARNING

IF THE INFORMATION IN THIS MANUAL IS NOT FOLLOWED EXACTLY, A FIRE OR EXPLOSION MAY RESULT CAUSING PROPERTY DAMAGE, PERSONAL INJURY, OR DEATH.

Do not store or use gasoline or other flammable vapors and liquids in the vicinity of this or any other appliance.

WHAT TO DO IF YOU SMELL GAS:

- 1) Do not try and light any appliance.
- 2) Do not touch any electrical switch.
- 3) Do not use any phone in your building.
- 4) Immediately call your gas supplier from a neighbor's phone. Follow the gas supplier's instructions.
- 5) If you cannot reach your gas supplier, call the fire department.

Installation and service must be performed by a qualified installer, service agency, or the gas supplier.

READ THESE INSTRUCTIONS CAREFULLY AND COMPLETELY BEFORE INSTALLING OR USING YOUR APPLIANCE TO REDUCE THE RISK OF FIRE, BURN HAZARD, OR OTHER INJURY. KEEP THIS MANUAL FOR FUTURE REFERENCE.

SAFETY DEFINITIONS

⚠️ WARNING

THIS INDICATES THAT DEATH OR SERIOUS INJURY MAY OCCUR AS A RESULT OF NOT OBSERVING THIS WARNING.

⚠️ CAUTION

THIS INDICATES THAT MINOR OR MODERATE INJURY MAY OCCUR AS A RESULT OF NOT OBSERVING THIS WARNING.

NOTICE

THIS INDICATES THAT DAMAGE TO THE APPLIANCE OR PROPERTY MAY OCCUR AS A RESULT OF NOT OBSERVING THIS WARNING.

**INSTALLER: LEAVE THIS MANUAL WITH THE OWNER OF THE APPLIANCE.
HOMEOWNER: RETAIN THIS MANUAL FOR FUTURE REFERENCE.**

TABLE OF CONTENTS

1	SAFETY PRECAUTIONS - BEFORE YOU BEGIN
2	MODELS AND RATINGS
3	RATING LABEL
3	REGULATORY / CODE REQUIREMENTS
4	LOCATION AND INSTALLATION
12	GAS CONNECTION
16	ELECTRICAL CONNECTION
17	VENTILATION REQUIREMENTS
18	CONVERSION
22	FINAL SETUP
25	PARTS LIST
25	SERVICE

EN

SAFETY PRECAUTIONS - BEFORE YOU BEGIN

When properly cared for, your Hestan appliance will provide safe, reliable service for many years. When using this appliance, basic safety practices must be followed as outlined below.

IMPORTANT: Save these instructions for the local Gas or Utility Inspector's use.

INSTALLER: Please leave these Installation Instructions with the owner.

OWNER: Please retain these Installation Instructions for future reference.

This cooktop is designed for residential use only.

Do NOT install this cooktop outdoors.

⚠ WARNING

ELECTRICAL SHOCK HAZARD

Disconnect power before installing or servicing appliance. Before turning power ON, be sure all controls are in the OFF position. Failure to do so can result in death or electrical shock.

ELECTRICAL GROUNDING

This appliance must be grounded. Grounding reduces the risk of electric shock in the event of a short circuit. Read the ELECTRICAL CONNECTIONS section of this manual for complete instructions.



MODELS AND RATINGS

COOKTOP MODELS

MODEL NO.	DESCRIPTION	CIRCUIT BREAKER REQUIRED
KGC30 NG / -LP	30" DROP-IN GAS COOKTOP	15 Amp
KGC36 NG / -LP	36" DROP-IN GAS COOKTOP	15 Amp

RATINGS

KGC 30	POWER Btu/h with NG at 5 inch WC		POWER Btu/h with LP at 10 inch WC	
	max flow rate	min flow rate	max flow rate	min flow rate
Zones				
Front right	8000	1300	6000	1300
Front left	8000	1300	6000	1300
Rear left	10500	2200	10500	2200
Rear right	10500	2200	10500	2200
Center – simmer		850		850
Center – main flame	20000		20000	

KGC36	POWER Btu/h with NG at 5inch WC		POWER Btu/h with LP at 10 inch WC	
	max flow rate	min flow rate	max flow rate	min flow rate
Zones				
Front right (Stacked B)	15000	1300	15000	1300
Front left (Stacked B)	15000	1300	15000	1300
Rear left (Stacked B)	15000	1300	15000	1300
Rear right (Stacked B)	15000	1300	15000	1300
Center – simmer		850		850
Center – main flame	20000		20000	

RATING LABEL

There are two rating labels on the unit. The main label contains important information about your Hestan appliance such as the model and serial number, gas type and electrical rating.

Both rating labels are located in the bottom of the cooktop unit. Make sure you record your model number and serial number for future use. The second rating label contains information about the gas requirements and usage.

If service is necessary, contact Hestan Customer Service with the model and serial number.

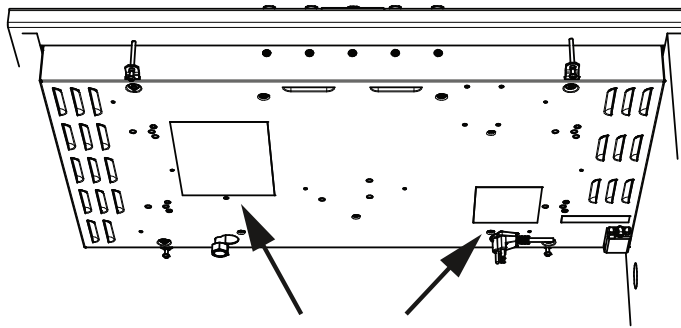


Figure 1. Rating Label Locations



Figure 2. Sample Rating Label

REGULATORY / CODE REQUIREMENTS

Installation of this cooking appliance must be made in accordance with local codes. In the absence of local codes, this unit should be installed in accordance with the National Fuel Gas Code *ANSI Z223.1/NFPA 54*, Natural Gas and Propane Installation code *CSA B149.1*, or Propane Storage and Handling Code *B149.2*.

All Electrical Components must be electrically grounded in accordance with local codes or in the absence of local codes with the National Electrical Code *ANSI/NFPA 70*, or Canadian Electrical code *CSA C22.1*.

STATE OF MASSACHUSETTS

Massachusetts requires all gas be installed using a plumber or gas fitter carrying the appropriate Massachusetts license. All permanently installed natural gas or propane installations require a T-handle type manual gas valve be installed in the gas supply line to this appliance. Flexible gas connector must not be longer than 36" [91.4 cm].

CALIFORNIA PROPOSITION 65 - WARNING



WARNING: This product can expose you to chemicals including carbon monoxide, which is known to the State of California to cause birth defects or other reproductive harm.

For more information, go to www.P65Warnings.ca.gov.

LOCATION AND INSTALLATION

PLACEMENT

Check location where cooktop will be installed. The location should be away from strong drafty areas, such as windows, doors and strong heating vents or fans.

UNPACKING

Do not remove the plastic film covering the stainless-steel surfaces. This film protects the finish from scratches until the appliance is installed in its final position.

PREPARATION

Electrical grounding is required. See "ELECTRICAL CONNECTION" on page 16 .

Assure that electrical installation is adequate and in conformance with National Electrical Code, ANSI/NFPA 70 - latest edition**, or Canadian Electrical Code, part 1 C22.1 (latest edition)*** and all local codes and ordinances.

Assure that the gas connection conforms with local codes and ordinances. In the absence of local codes, installations must conform with American National Standard, National Fuel Gas Code ANSI Z223/NFPA 54 - latest edition** Canadian CAN/CGA_B 149.1 or CAN/CGA-149.2 latest edition**

GAS AND ELECTRICAL SUPPLY CLEARANCES

If not already in place, install a gas shut-off valve in an easily accessible location for servicing of the cooktop. Make sure all users of the cooktop know where this shut-off is located, and how to shut off the gas. Any openings in the wall or floor behind the appliance must be sealed. See *Figure 8* and *Figure 9* on page 6 and 7 for cutouts and clearances.

CABINETS

To eliminate the risk of burns or fire by reaching over heated surface units, cabinet storage space located above the surface units should be avoided. If cabinet storage is to be provided, the risk can be reduced by installing the required vent hood that projects horizontally a minimum of 5" [12.7 cm] beyond the bottom of the cabinets.

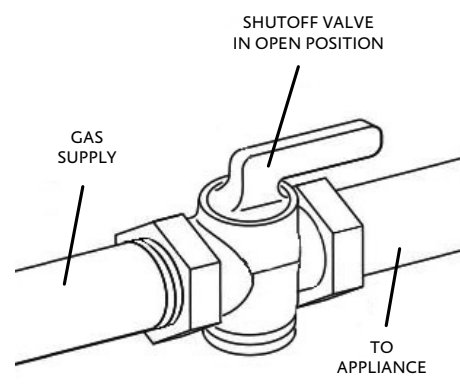


Figure 3. Gas Shut-Off Valve

Copies of the standards listed may be obtained from:

** National Fire Protection Association
One Batterymarch Park
Quincy, Massachusetts 02169-7471

*** CSA International
8501 East Pleasant Valley Rd.
Cleveland, OH 44131-5575

LOCATION AND INSTALLATION *(continued)*

INSTALLING COOKTOP OVER OVEN

Only certain specified cooktop and oven models are approved for cooktop over oven installations.

Cooktops approved for this type of installation will have an approval label located on the outside of the burner box. The label lists the cooktop and oven combinations that are approved for this type of installation.

If you do not find this label, contact your dealer to confirm that the cooktop is approved for installation over your model of oven.

COOKTOP DIMENSIONS

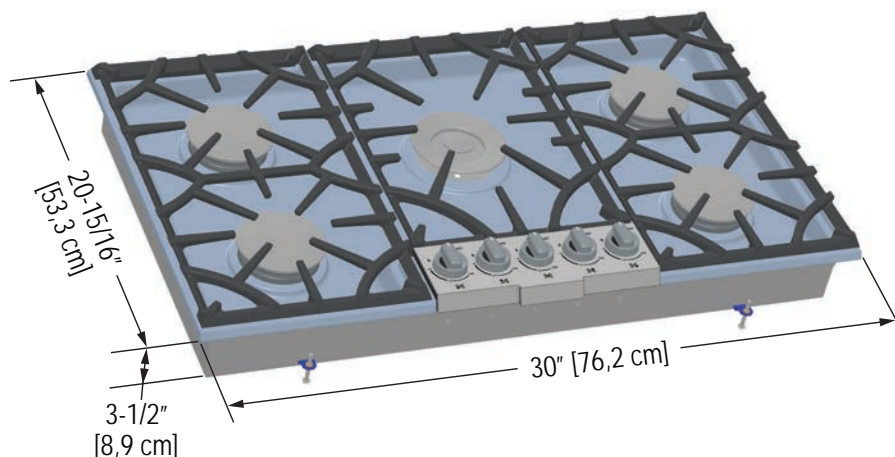


Figure 4. 30" Model

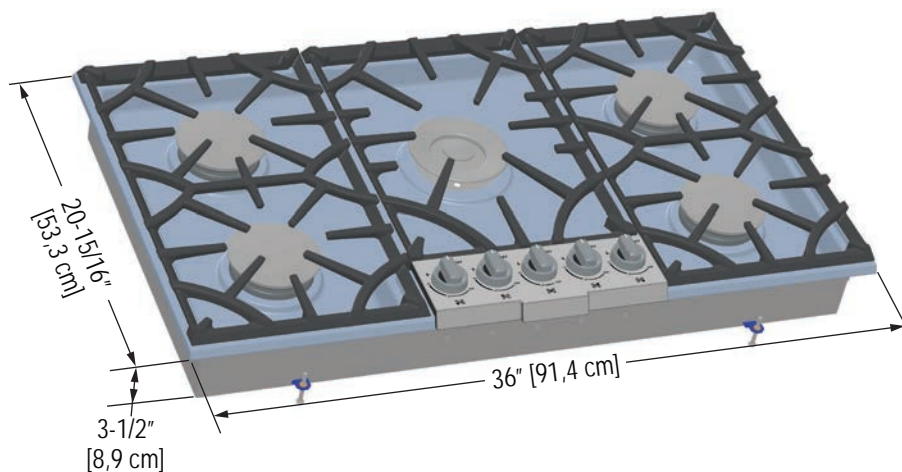


Figure 5. 36" Model

REGULATOR CLEARANCE

The regulator may be mounted to the cooktop directly or via a flexible (semi-rigid) stainless steel gas hose with appropriate end fittings.

(See "GAS CONNECTION" on page 13 for more information)

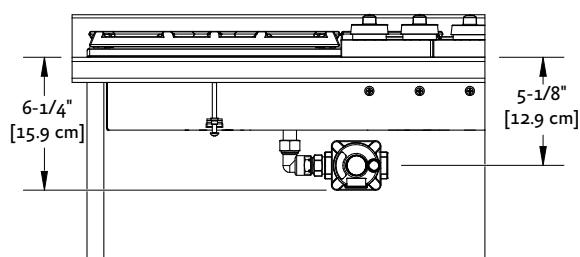


Figure 6. Regulator clearance

LOCATION AND INSTALLATION *(continued)*

COUNTERTOP

- 1) Chamfer all exposed edges of decorative laminate to prevent damage from chipping.
- 2) Radius corners of cutout and file to ensure smooth edges and prevent corner cracking.
- 3) Recommend 1/4" or 3/8" diameter drill in each corner.
- 4) For solid surface countertops, refer to countertop material manufacturer instructions.

SOLID SURFACE COUNTERTOPS

NOTICE

Important: For solid surface material installations such as Surel™ and Corian®, consult with solid surface manufacturer. Apply heat reflective tape such as Scotch® Aluminum Foil Tape #425 or #427 around the cutout so that it folds over on the top and sides.

DO NOT WRAP THE TAPE UNDERNEATH THE COOKTOP.

Be sure the tape extends beyond the outermost flange of the cooktop. All corners should be covered with tape.

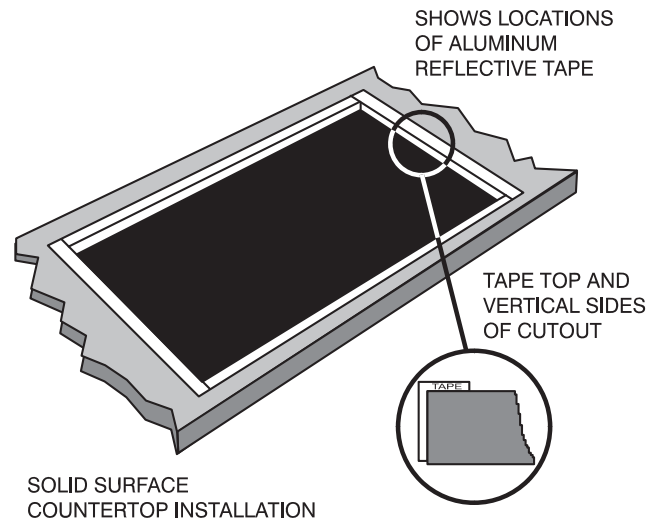


Figure 7. Solid Surface Protective Tape

NEW INSTALLATIONS

For new installations, the minimum cut-out size is preferable.

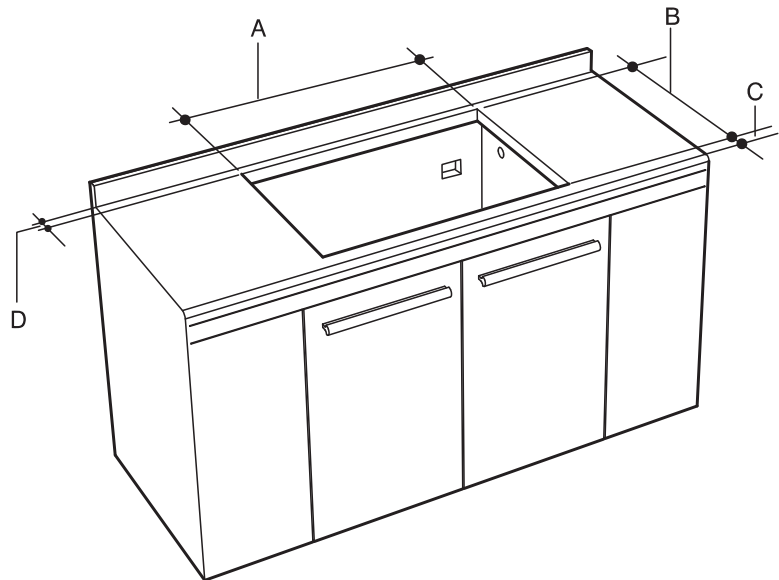


Figure 8. Cutout Requirements (1/2)

Cooktop Model	A	B	C	D
KGC30	MIN 28-1/2" [72.4 cm] MAX 29" [73.7 cm]	MIN 19-1/2" [49.5 cm] MAX 19-5/8" [49.8 cm]	MIN 2" [5.0 cm]	MIN 3-1/2" [9.0 cm]
KGC36	MIN 34-1/2" [87.6 cm] MAX 35" [88.9 cm]	MIN 19-1/2" [49.5 cm] MAX 19-5/8" [49.8 cm]	MIN 2" [5.0 cm]	MIN 3-1/2" [9.0 cm]

LOCATION AND INSTALLATION *(continued)*

EN

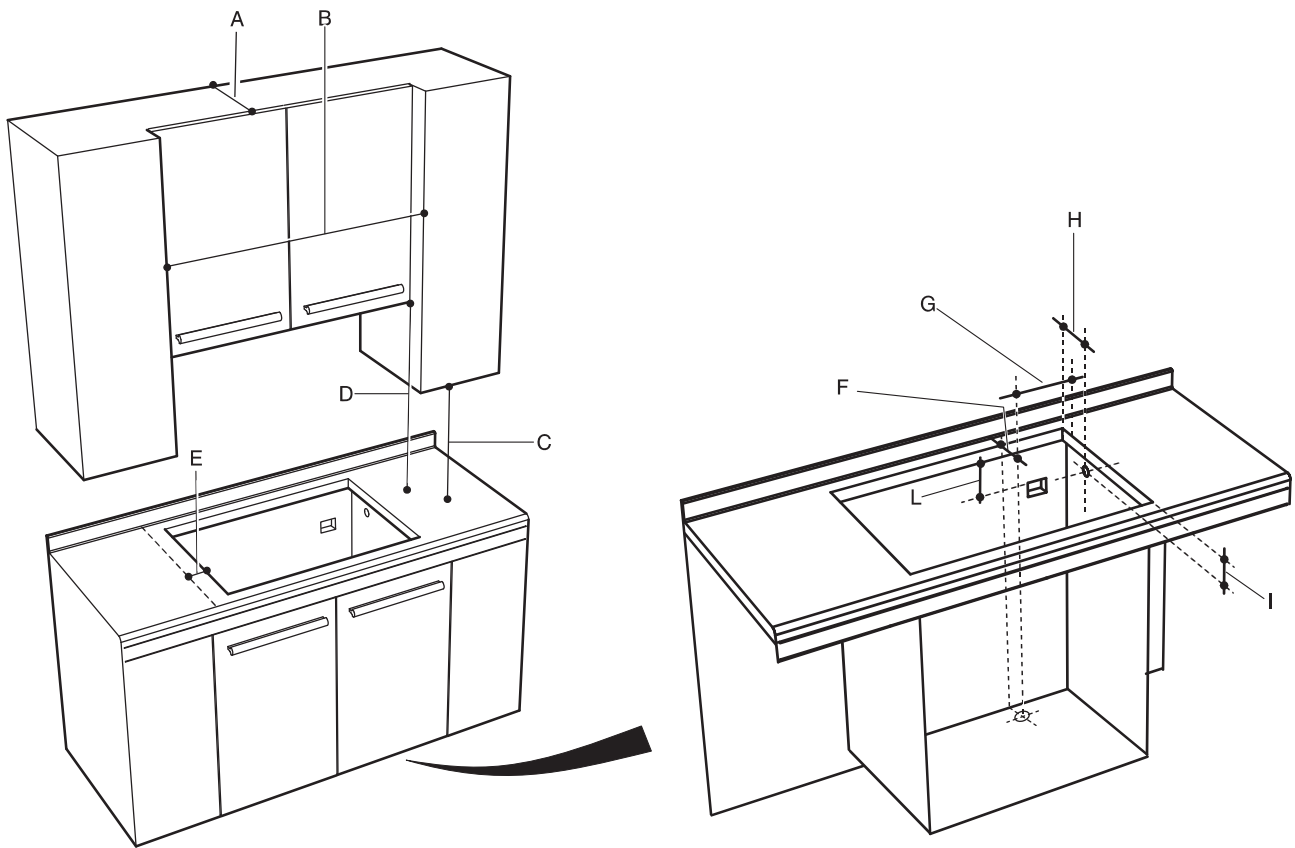


Figure 9. *Cutout Requirements (2/2)*

- A 13" [33 cm] Depth of unprotected overhead cabinets.
 - B 30" [76.2 cm] MIN. (KGC30)
36" [91.4 cm] MIN. (KGC36)
 - C 18" [47.7 cm] MIN. Height from countertop to nearest cabinet on either side of unit.
 - D 30" [76.2 cm] MIN. (see Note*) Clearance from countertop to unprotected overhead surface.
 - E 5" [12.7 cm] MIN. Clearance from cut out to side wall on the left and right of the unit.
 - F From the back corner of cut-out to hole center 2-9/32" [5.8 cm].
 - G From the right corner of cut-out to hole center 2-19/32" [6.6 cm].
 - H From the back corner of cut-out to hole center 1-1/4" [3.2 cm]. Opening with oven under cooktop.
 - I From the top of countertop to hole center 6" [15.2 cm]. Opening with oven under cooktop.
 - L Electric outlet from bottom of countertop and adjacent to the cabinet side 12" [30.5 cm].
- Hole 1-3/16" [3 cm].

* NOTE

- If cabinet has a drawer, a 5-1/4" [3.2 cm] depth clearance from the top of the countertop to the top of the drawer (or other obstruction) in base cabinet is required. The drawer depth may need to be shortened to avoid interfering with the regulator.
- 24" [61 cm] min. clearance if bottom of wood or metal cabinets is protected by not less than 1/4" [0.6 cm] flame retardant millboard covered with not less than No. 28 MSG sheet steel 0.015" [0.04 cm] stainless steel, or 0.024" [0.06 cm] aluminum or 0.020" [0.05 cm] copper.
30" [76.2 cm] min. clearance between top of cooking platform and bottom of unprotected wood or metal cabinet.

LOCATION AND INSTALLATION *(continued)*

MOBILE HOME INSTALLATION

The installation of this cooktop must conform to the Manufactured Home Construction and Safety Standards, Title 24 CFR, Part 3280 (formerly the Federal Standard for Mobile Home Construction and Safety;

Title 24 HUD part 280); or when such standard is not applicable, the Standard for Manufactured Home Installations (Manufactured Home Sites, Communities and Setups), ANSI A225.1 - latest edition, or with local codes.

In Canada, the installation of this cooktop must conform with the current standards CAN/CSA-Z240 - latest edition, or with local codes.

⚠️ WARNING

The appliance should not be installed with a ventilation system that blows air downward toward the cooktop. This type of ventilation system may cause ignition and combustion problems with the gas cooking appliance resulting in personal injury or unintended operation.

LOCATION AND INSTALLATION *(continued)*

COUNTERTOP ADDITIONAL

Always consult the countertop manufacturer for specific instructions.

Ensure the countertop is square and level and ensure no structural members interfere with space requirements.

Prepare the cut-out according to the instructions (see cut-out dimensions).

Make sure the wall coverings, countertop and cabinets around the cooktop can withstand heat (up to 200°F [93°C]).

EN

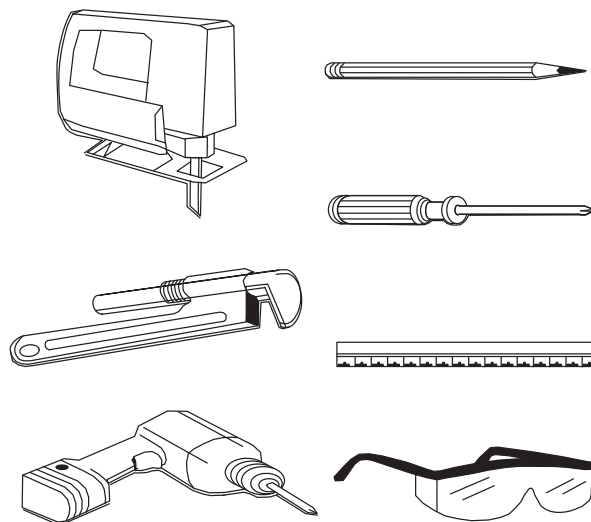


Figure 10. *Tools Required*

▲ CAUTION

EXCESSIVE WEIGHT HAZARD

Use two or more people to move and install cooktop.

Failure to do so can result in back or other injury.

CUT HAZARD

Beware of sharp edges. Use the polystyrene ends when carrying the product. Failure to use caution could result in minor injury or cuts.

LOCATION AND INSTALLATION *(continued)*

Step 1

Remove packaging materials and literature package from the cooktop before beginning installation.

Remove installation instructions from literature pack and read them carefully before you begin.

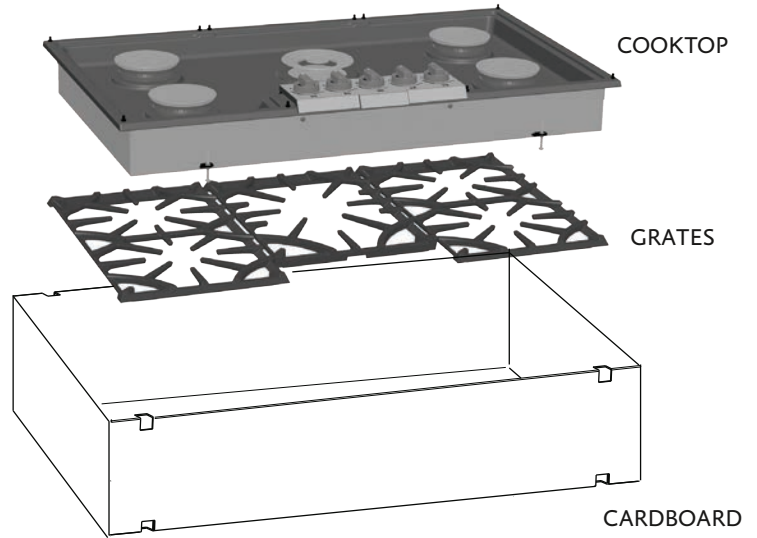
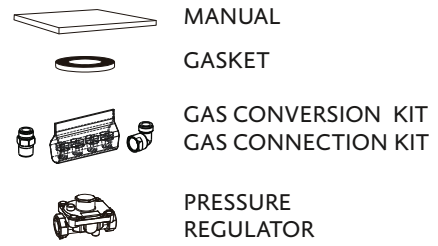


Figure 11. *Package Contents*

Step 2

Foam tape is provided to seal the cooktop edges to the countertop. Apply the provided foam tape to the underside of the cooktop edge.

Use tape around the entire cooktop perimeter.

Trim the tape ends so they meet closely.

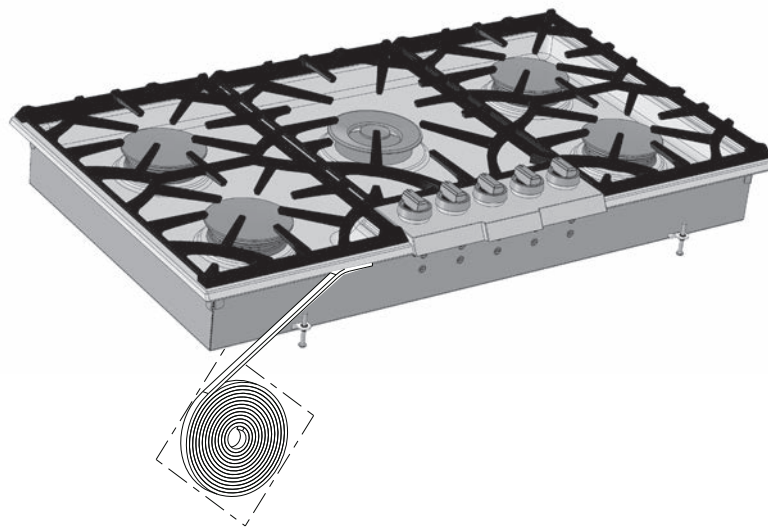


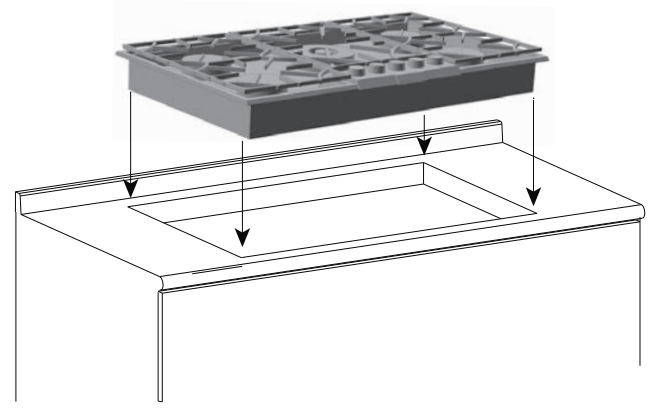
Figure 12. *Apply Foam tape*

LOCATION AND INSTALLATION *(continued)*

Step 3

Insert the cooktop centered into the cutout opening.

Make sure the front edge of the counter top is parallel to the cooktop. Make final check that all required clearances are met.



EN

Step 4

Four clamp brackets are provided with your unit.

After cooktop has been installed into the countertop, install the brackets on the burner box as shown in *Figure 14*.

Figure 13. *Place Cooktop*

Install the clamp brackets on the front and back of the burner box bottom (if the cabinet construction does not provide clearance for installing brackets at the front and back of the burner box, install the clamp brackets on the sides of the burner box).

Step A: place the clamping screws into brackets

Step B attach brackets by using the attachment screws on the selected location of burner box, tighten screws just enough to hold brackets in place

Step C: position brackets so that each clamp screw is in contact with the counter top bottom

Step D: tighten attachment screws securely.

Step E: check that the front edge of the cooktop is parallel to the front edge of the countertop
tighten the clamping screw against the countertop.

DO NOT OVER TIGHTEN

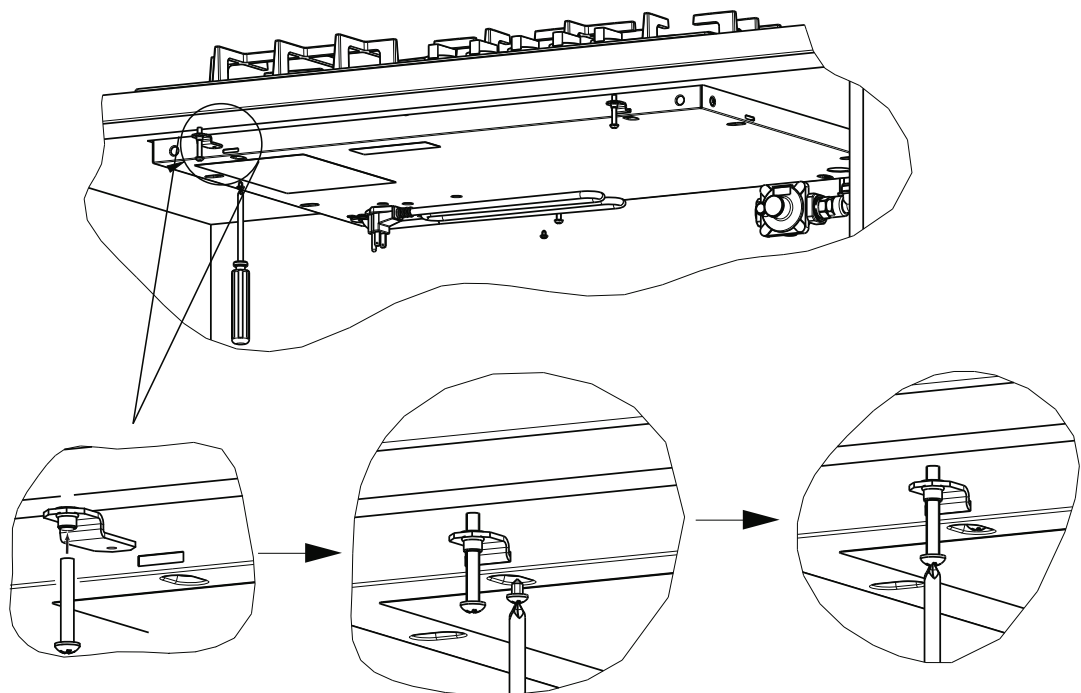


Figure 14. *Install and Secure Clamps*

GAS CONNECTION

GAS SUPPLY

The local gas authority or supplier should be consulted at the installation planning stage in order to establish the availability of an adequate supply of gas (NG or LP). If it is a new installation, have the gas authorities or supplier check the meter size and piping to assure that the unit is supplied with the necessary amount of gas supply and pressure to operate the unit(s).

- Gas connections should be made by a qualified plumber, or your professional appliance installer.
- All appliances (NG or LP) must be fitted with an accessible upstream gas shutoff valve as a means of isolating the appliance for emergency shut off and for servicing.
- Make certain new piping and connections have been made in a clean manner and have been purged so that piping compound, chips, etc. will not clog regulators, valves, orifices, or burners. Use pipe joint compound / thread sealant approved for natural and LP gases.

PRECAUTIONS FOR SUPPLY TESTING

The appliance and its individual manual shutoff valve must be disconnected from the gas supply piping system during any pressure testing of that system at test pressures in excess of 1/2 psi [3.5 kPa].

The appliance must be isolated from the gas supply piping system by closing its individual manual shutoff valve during any pressure testing of that system at test pressures equal to or less than 1/2 psi [3.5 kPa].



NEVER CONNECT THE APPLIANCE TO AN UNREGULATED GAS SUPPLY.

If the line pressure supplying the appliance pressure regulator exceeds 14 inches W.C. [3.48 kPa] (any gas), an external regulator must be installed in the gas line ahead of the appliance regulator to reduce the pressure to no more than 14 inches W.C. [3.48 kPa]. Failure to do this can result in malfunction and damage to the appliance.

GAS TYPE AND PRESSURE

Before proceeding, verify that the appliance is fitted for the type of fuel available. Connecting to an improper gas type will result in poor performance and increased risk of damage or injury. Gas type is shown on the rating label. If the appliance has been converted for an alternate fuel, that information should be next to the rating label or near the regulator.

The gas should be supplied to the appliance's pressure regulator at a line pressure of 6 - 14 inches W.C. [1.49 - 3.48 kPa] for NG, and 11 - 14 inches W.C. [2.43 - 3.48 kPa] for LP.

Installation of this cooking appliance must be made in accordance with local codes. In the absence of local codes, this unit should be installed in accordance with the National Fuel Gas Code No. Z223.1/ NFPA 54, Natural Gas and Propane Installation code CSA B149-1, or Propane Storage and Handling Code B149.2.

CONVERSION KITS

A conversion kit is provided with the cooktop. The conversion can only be performed by a qualified technician. In the event your Hestan appliance needs to be converted from NG to LP, or vice-versa, you will need to contact Hestan Customer Service to arrange a service call. See the CONVERSION section of this manual for details.

GAS CONNECTION *(continued)*

GAS CONNECTION

After connecting, the installation must be checked for leaks. That procedure is on the following page.

Connect to gas supply using a minimum 1/2" inside diameter flexible (semi-rigid) stainless steel gas hose to prevent gas starvation. This hose should be no more than 36" [91.4 cm] in length, or as permitted by applicable codes.

The included regulator must be installed between the shutoff valve and the appliance, and must be mounted so that its directional arrow (flow direction) points toward the gas manifold.

NEVER REUSE OLD HOSES WHEN INSTALLING THIS COOKTOP.

ANSI Z21.24/CSA 6.10 and ANSI Z21.75/CSA 6.27 codes require that a new gas appliance hose must be used for a new appliance, when moving an appliance to a new location, or as a result of damage.

Use the appropriate thread sealant on all NPT connections. Do not apply sealant to flare fittings.

NEVER TIGHTEN TO MORE THAN 35 ft-lbs [47.4 N-m] OF TORQUE.

Check alignment of valves after connecting the cooktop to the gas supply to be sure the manifold pipe has not been moved. A misalignment could cause the valve knob stem to rub on the control panel, resulting in a gas leak at the valve.

CAUTION

Do not attempt to attach the flexible hose directly to an external pipe thread. Connection requires proper adapters to join the flex hose and the pipe fittings.

FOR MASSACHUSETTS INSTALLATIONS:

1. Shut-off valve must be a "T" handle gas cock.
2. Flexible gas hose must not be longer than 36 inch [91.4 cm].
3. Not approved for installation in a bedroom or a bathroom unless unit is direct vent.

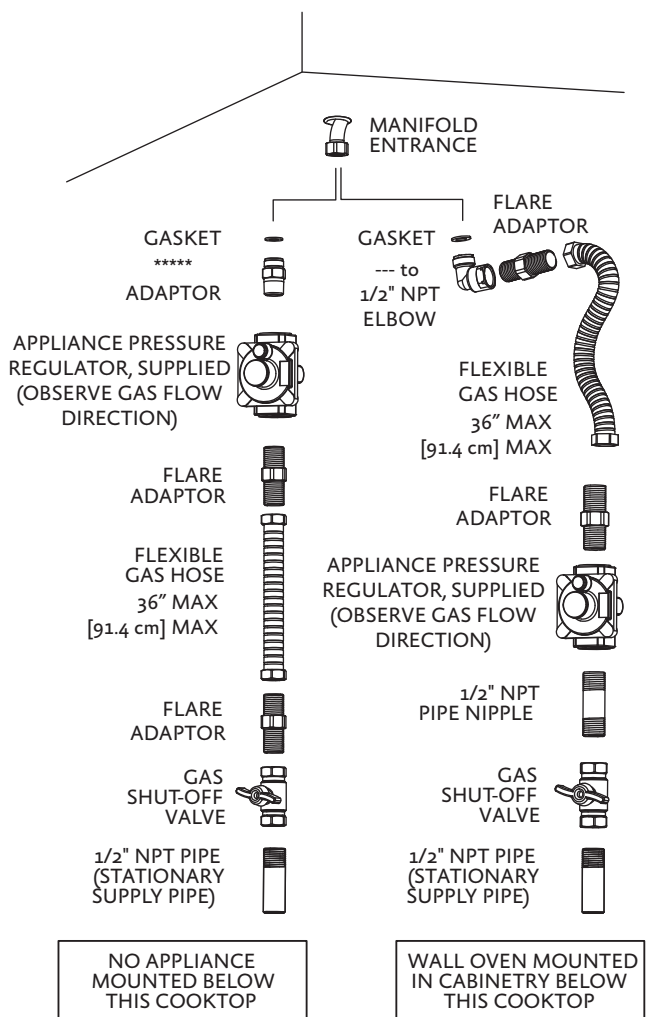


Figure 15. Typical Methods Of Connecting Gas

GAS CONNECTION *(continued)*

LEAK TESTING

GENERAL

Although all gas connections on your Hestan appliance are leak tested at the factory prior to shipment, a complete gas tightness check must be performed at the installation site due to possible movement in shipment, or excessive pressure unknowingly being applied to parts of the unit. Immediately check if the smell of gas is detected. Leak testing of the appliance shall be conducted according to these instructions:

BEFORE TESTING

- Do not smoke while leak testing.
- Never leak test with an open flame.
- Make a soap solution of one part liquid detergent and one part water for leak testing purposes.
- Apply the solution to the gas fittings and flex hose by using a spray bottle or a brush.

TO TEST

- Make sure all control knobs are in the "OFF" position.
- Apply the soap solution to all fittings and flex hose.
- Turn the gas supply on.
- Check all connections from the supply line up to regulator connection at the rear of the appliance.
- Soap bubbles will appear where a leak is present. If a leak is present, immediately turn off gas supply, tighten any leaking fittings, turn the gas supply back on, and recheck.
- If you cannot stop a gas leak, turn off the gas supply and call the dealer where you purchased your appliance.
- Do not use the appliance until all connections have been checked and do not leak.

TESTING APPLIANCE REGULATOR

When checking appliance regulator function, make certain that the correct pressure is supplied to the regulator. For natural gas supply, 6 - 14 inches W.C. [1.49 - 3.48 kPa]. If converted to LP gas, 11 - 14 inches W.C. [2.43 - 3.48 kPa].

To pressure test the regulator, select one of the side burners and connect to the orifice port, as follows:

PRESSURE TEST PROCEDURE

- 1) Remove grate and burner cap (A).
- 2) Remove gas spreader (B).
- 3) Temporarily remove the orifice (C).
Note - for the 36" unit's stacked burner, you will use the center (simmer) orifice, and set the knob to SIM so that the main orifice does not flow.
- 4) Connect the pressure test gauge into the port that you removed the orifice from. (M6 x 0.75)

GAS CONNECTION *(continued)*

- 5) For KGC30, turn the knob for the test burner to HI.
For KGC36, turn the knob for the test burner to SIM.
- 6) Check if the cooktop has the correct pressure
- 7) Turn the control knob OFF.
- 8) Remove the gauge and re-install the orifice.
Put the gas spreader, burner cap, and grate back into position.

EN

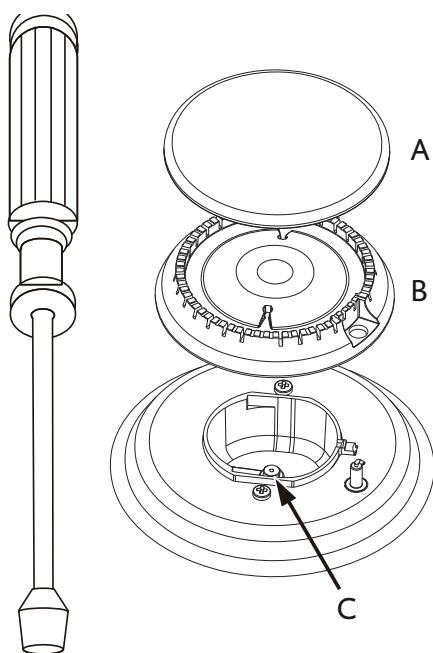


Figure 16. *Regulator pressure test port (KGC30)*

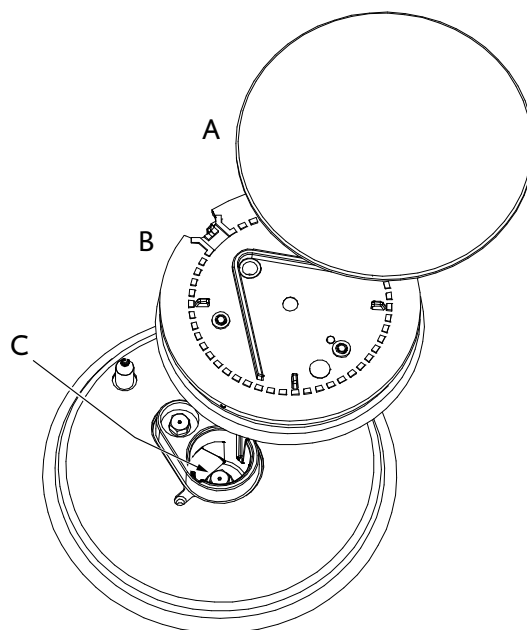


Figure 17. *Regulator pressure test port (KGC36)*

ELECTRICAL CONNECTION

GENERAL INFORMATION

This appliance must be supplied with the proper voltage and frequency and connected to an individual, properly grounded branch circuit, protected by a circuit breaker or fuse having amperage as noted on page 2 of this manual. We recommend you have the electrical wiring and hookup of your cooktop connected by a qualified electrician.

After installation, have the electrician show you where your cooktop's circuit breaker is located. Check with your local utilities for electrical codes which apply in your area. Failure to wire your cooktop according to governing codes could result in a hazardous condition.

If there are no codes, your cooktop must be wired and fused to meet the requirements of the National Electrical Code, ANSI/NFPA No. 70 - Latest edition. You can get a copy by writing:

National Fire Protection Association
One Batterymarch Park
Quincy, Massachusetts 02169-7471

In Canada your cooktop must be wired and fused to meet the requirements of the Canadian Electrical Code.

Be sure the installation of this product in a mobile home conforms with the Manufactured Home Construction and Safety Standard, Title 24 CFR, Part 3280.

If this standard does not apply, you must follow the standard for Manufactured Home Installations, ANSI A225.1 and Manufactured Home Installations, Sites and Communities and ANSI/NFPA 501A or with local codes.

You can get a copy of the Federal Standard by Writing:

Office of Mobile Home Standards
HUD Building
451 7th Street, S.W.
Washington, D.C. 24010

ELECTRICAL SHOCK HAZARD



Disconnect power before installing or servicing appliance. Before turning power ON, be sure all controls are in the OFF position. Failure to do so can result in death or electrical shock.

ELECTRICAL GROUNDING REQUIREMENT

FOR PERSONAL SAFETY, THIS APPLIANCE MUST BE PROPERLY GROUNDED.

Plug into a grounded 3 prong outlet. Do not remove ground prong. Do not use an adapter. Do not use an extension cord.

Failure to follow these instructions can result in death, fire, or electrical shock.

ELECTRICAL CONNECTION

The receptacle must be on its own dedicated circuit - 120 VAC, Single Phase, 60 Hz, with a current rating of 15 Amps. If this is not available, a licensed electrician must install the appropriately dedicated and grounded receptacle. The installation must be done in accordance with local codes, or in the absence of local codes, it must be installed in accordance with the National Electrical Code, ANSI/NFPA 70.

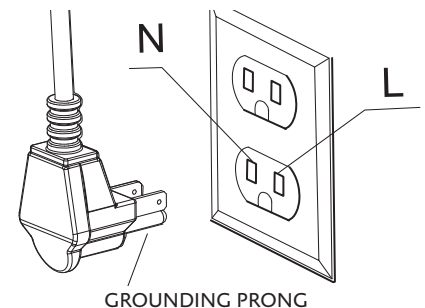


Figure 18. Three Prong Cord and Receptacle

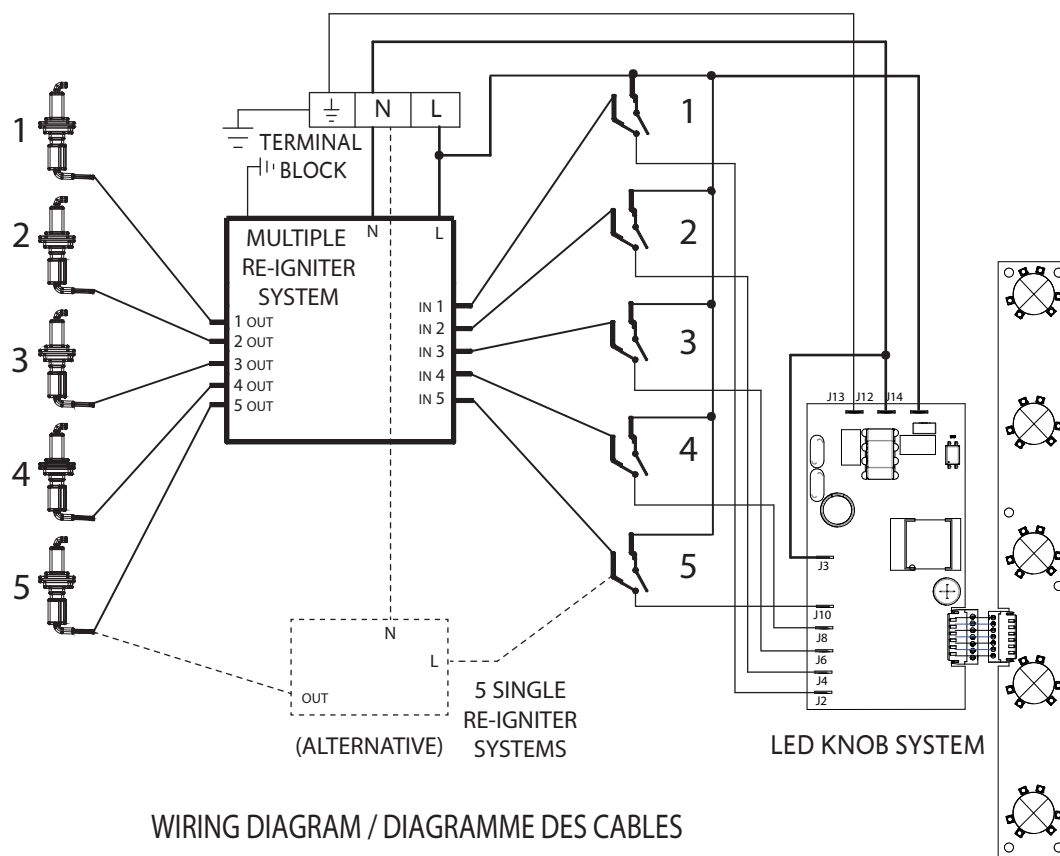
ELECTRICAL CONNECTION *(continued)*

The power cord of this appliance is equipped with a 3-prong (grounding) plug which must be used with a properly grounded 3-hole outlet with a standard 120 Volt, 60 cycle AC household current. If you do not have a 3-hole grounded outlet, have a qualified electrician change your old one.

EN

ELECTRICAL REQUIREMENTS

Do not under any circumstances cut or remove grounding prong from the cooktop cord.



WIRING DIAGRAM / DIAGRAMME DES CABLES

Figure 19. *Wiring Diagram*

VENTILATION REQUIREMENTS

It is strongly recommended that this appliance be installed with a Hestan vent hood. Due to the high heat output of this cooktop, it is very important that the hood and ductwork installation meets local building codes and is installed by a qualified technician.

Do not use a down-draft style ventilation system.

Do not mount a microwave oven/ventilator combination above the cooktop. This type of unit does not have sufficient airflow to remove the high heat output of this cooktop.

For non-Hestan-approved vent hoods, the vent hood and/or blower unit must be rated for 1 CFM [1.7 m³/hr] for every 100 BTU [.03 kW].

For island applications, it is recommended to use a vent hood that is 6" [15.2 cm] wider than the appliance, to allow for 3" [7.6 cm] of overlap on the left and right of the appliance.

Keep duct runs as short and straight as possible. Elbows and transition fittings reduce airflow efficiency. Hestan recommends keeping the duct run under 50 ft. [15.2 m].

CONSULT WITH YOUR HESTAN DEALER ON SELECTING THE APPROPRIATE VENT HOOD FOR YOUR HESTAN APPLIANCE.

CONVERSION

CONVERTING APPLIANCE FOR USE WITH LP GAS

A conversion kit is provided with the cooktop which contains the necessary pieces to change the cooktop from NG to LP fuel. We encourage you to keep the kit with this manual so that it's available in case of need. Also, if the unit is converted to LP, the parts removed in the conversion process should be saved in case the unit needs to be converted back to NG.

▲WARNING

Conversion is to be performed by an AUTHORIZED SERVICER (or other qualified agent) in accordance with the manufacturer's instructions and all codes and requirements of the authority having jurisdiction. Failure to follow instructions could result in serious injury or property damage. The qualified agent performing this work assumes responsibility for this conversion.

▲WARNING

Electrical power and gas must be turned off prior to conversion.

REQUIREMENTS

If this appliance should be converted for use with LP gas (propane or butane), the regulator must be converted and the orifices in all burners must be changed:

- After conversion, the appliance must be labeled to show its new fuel requirement.

Note: The outer burners are different between the KGC30 and the KGC36. Be sure you follow steps for the correct unit.

REPLACING ORIFICE ON SINGLE RING BURNER (KGC30 ONLY) .

- 1) Remove the grates and burner caps.
- 2) Remove gas spreader.
- 3) Loosen orifice by turning 9/32" nut driver counter-clockwise.
- 4) Install the orifice supplied with this appliance in the appropriate burner. Each orifice has a number stamped on the side, which identifies the orifice diameter.
- 5) Turn clockwise to tighten. Tighten to a torque of 15 to 20 inch-lbs. [1.7-2.3 N-m].
- 6) Replace all parts following the reverse order.
- 7) Save the orifices removed from the appliance for future use.

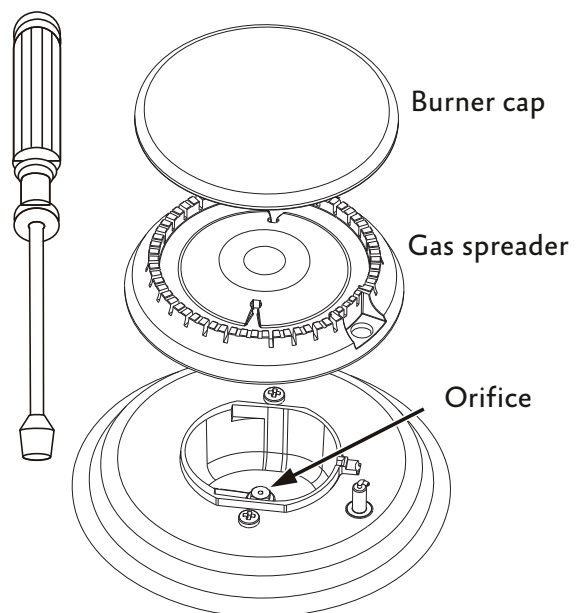


Figure 20. Single Ring Burner

CONVERSION *(continued)*

REPLACING ORIFICES ON STACKED BURNER (KGC36)

- 1) Remove the grates and burner caps (A).
- 2) Remove gas spreader (B).
- 3) Loosen orifices (C) by turning 9/32" nut driver counter-clockwise.
- 4) Install the orifices supplied with this appliance in the appropriate burner. Each orifice has a number stamped on the side, which identifies the orifice diameter. (See Figure 23 for the orifices to use in each burner position).
- 5) Turn clockwise to tighten. Tighten to a torque of 15 to 20 inch-lbs. [1.7-2.3 N-m].
- 6) Replace all parts following the reverse order.
- 7) Save the orifices removed from the appliance for future use.

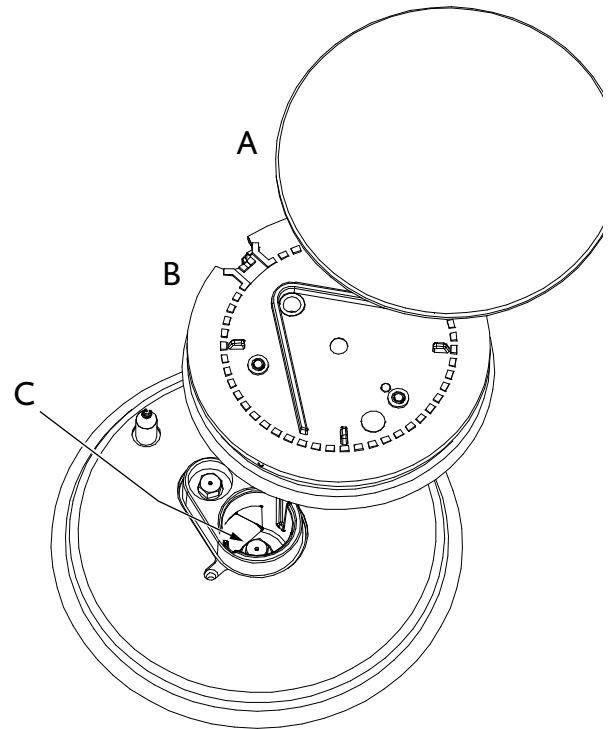


Figure 22. Stacked Burner

NG	LP conversion
<p style="text-align: center;">KGC 30 Orifices</p> <p style="text-align: center;">MAIN FLAME SIMMER</p>	<p style="text-align: center;">KGC 30 Orifices</p> <p style="text-align: center;">MAIN FLAME SIMMER</p>
<p style="text-align: center;">KGC 36 Orifices</p> <p style="text-align: center;">MAIN FLAME SIMMER</p>	<p style="text-align: center;">KGC 36 Orifices</p> <p style="text-align: center;">MAIN FLAME SIMMER</p>

Figure 23. Orifice Locations

PRESSURE REGULATOR CONVERSION

The appliance is designed for use with NG gas or LP gas. The rating label will identify which gas the appliance is configured for. For use with a different gas, the orifices must be changed and the regulator must be converted.

To convert the pressure regulator, follow the below instructions:

- Disconnect all electrical power, at the main circuit breaker or fuse box.
- Shut off the gas supply to the cooktop by closing the manual shut-off valve.

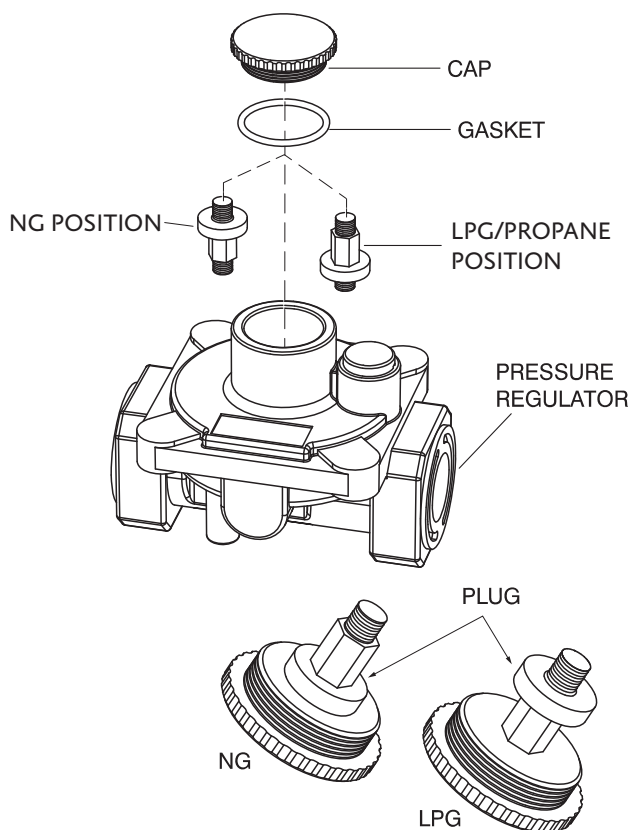
Convert the pressure regulator as follows: (see figure 24)

- 1) Unscrew the regulator cap
- 2) Unscrew the plastic conversion plug from the cap turn over and screw back (wide section away from cap for LP and against cap for NG).
- 3) Replace the regulator cap.

FLAME CHECK

After replacing orifices and converting the pressure regulator, check/adjust all burner flames according to «FINAL SETUP» on page 22 and «Burner Adjustment» on page 24.

Check the appearance of each burner flame on the HI-LO settings, if the flame seems too big or small, check if the steps have been followed correctly.



Before replacing the regulator cap, confirm that the plug is correctly positioned for the gas to be used.

Figure 24. *Converting the Regulator*

CONVERSION *(continued)*

CONVERTING APPLIANCE FOR USE WITH NG

CONVERTING TO NG

To convert the appliance for use with NG from LP (propane or butane):

- 1) Convert the regulator according to “Pressure regulator conversion” on page 21.
- 2) Replace the orifices in all burners per the previous instructions and Figure 23.
- 3) Check the flame, adjust as needed per “Burner Adjustment” on page 24.
 - After conversion, the appliance must be labeled to show its new fuel requirement.

Note: The outer burners are different between the KGC30 and the KGC36. Be sure you follow steps for the correct unit.

FINAL SETUP

BEFORE TESTING BURNERS

Before testing operation of the appliance, verify the leak check was performed and the electrical power has been restored to the unit. All the control knobs must be in the OFF position. Turn the gas shut-off valve to the open position.

Verify that all packing materials have been removed and that all burners and grates are properly positioned.

TESTING BURNERS

Verify ignition at each burner. For each burner, press and turn the knob to ⚡ until the burner lights, then adjust it to the desired setting.

- If the burner does not light within five seconds, turn the knob off and wait one minute before trying again.

Check flame characteristics at each burner per the following descriptions. Flames should be stable and not dance or lift off the burner ports. Flame may need to burn for a few minutes to purge the gas lines of impurities. These appear as intermittent orange tips or even tiny sparks in the flame. This is normal and the flame will eventually stabilize like those shown in Figure 26.

FINAL SETUP *(continued)*

CAUTION

If you attempt to measure the inner cone of the flame, please use caution. Burns could result. If after a few minutes the flames continue to burn mostly yellow, verify that the burner head is properly installed on top of the base, then retest. Use caution when handling the burner head. They can be very hot.

Turn down the control knob to the LOW (and SIM, where applicable) setting to check function.

Burner Adjustment procedure is shown on the following page.

Check each burner individually, then check that they operate satisfactorily with other burners on.

If after all the above tests still result in mostly yellow flames, or the burners do not light, contact Hestan Customer Service to schedule a service call.

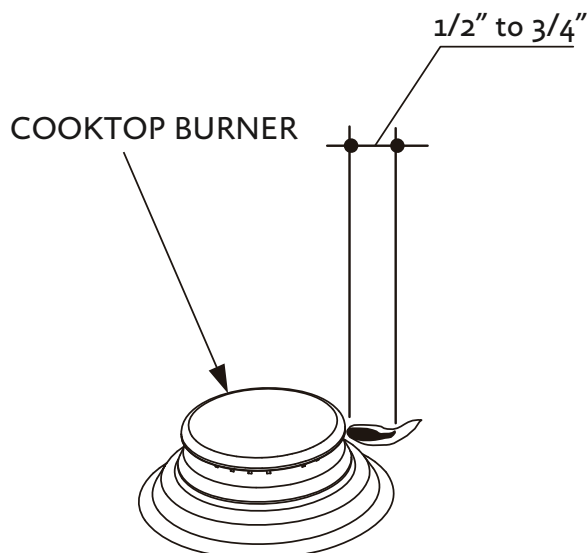


Figure 25. *Burner flame size*

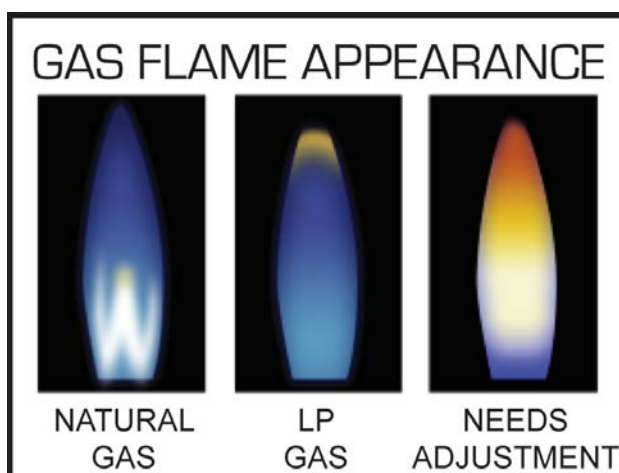


Figure 26. *Burner flame appearance*

FINAL SETUP *(continued)*

BURNER ADJUSTMENT

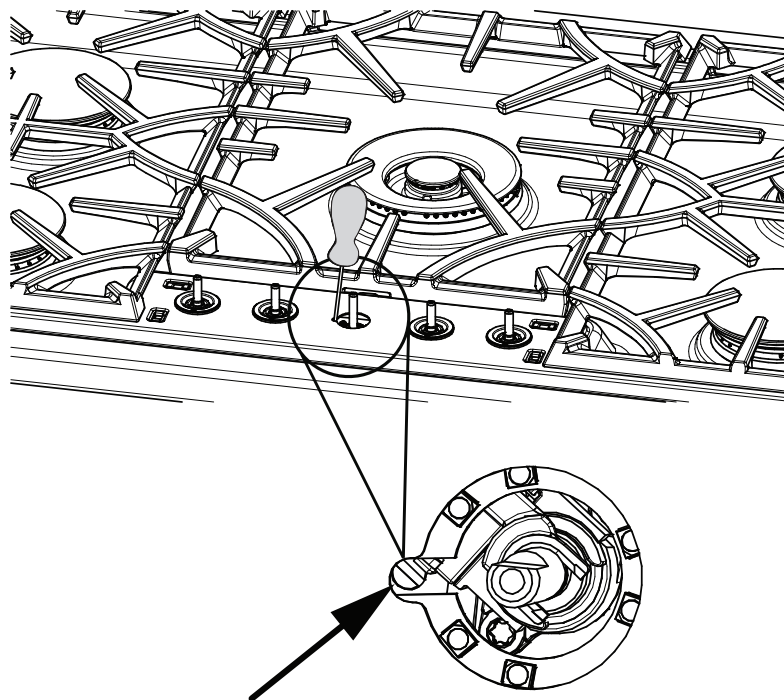
This appliance is shipped from the factory with low and medium flame settings adjusted.

Each burner can be adjusted if necessary, but the procedures vary by burner type.

- The side burners can be adjusted for the low level of the main flame.
- The center burner's simmer flame (small center burner) can be adjusted.

Adjustment for Burners with single or dual burner rings:

- 1) Remove the knobs by pulling them straight up.
- 2) Remove the panel by lifting it straight up. If you must pry it, use something that won't mar the finish.
- 3) For each burner to be adjusted, place knob back in place enough to operate the valve.
- 4) Light burner
For a side burner: set control knob to LO.
For the center burner: set control knob to SIM
- 5) Remove control knob from valve stem.
- 6) Use a screwdriver to adjust the screw shown in the illustration to set flame size:
Counter-clockwise to increase
Clockwise to reduce
- 7) When adjustment is completed, turn the burner off.
- 8) When all burners have been adjusted, replace panel and control knobs.



- Counter-clockwise to increase flame size
- Clockwise to reduce flame size

Figure 27. Adjustment screw - center burner and stacked burners

FINAL SETUP *(continued)*

EN

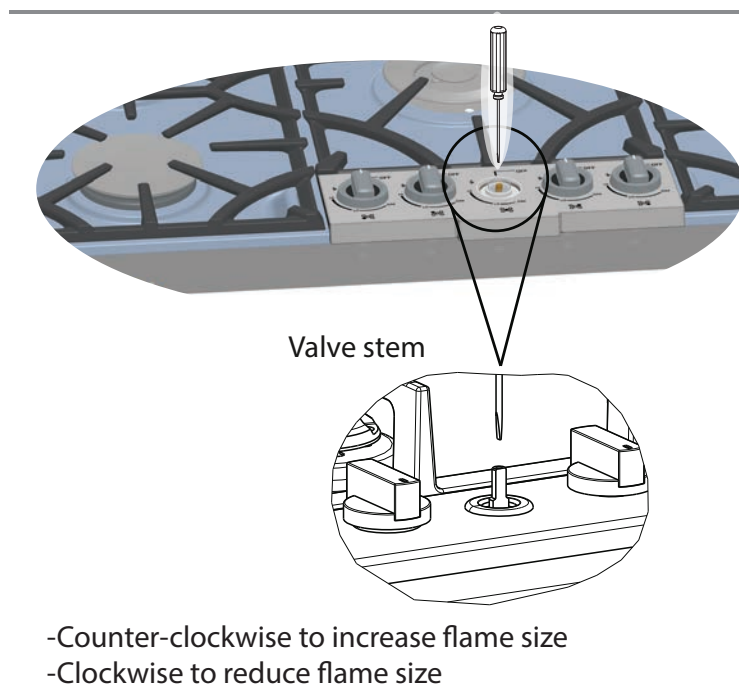


Figure 28. *Adjustment screw - single flow burner*

PARTS LIST

Please visit the Hestan website to access the parts list for your Hestan Indoor product:
www.hestanhome.com.

SERVICE

All warranty and non-warranty repairs should be performed by qualified service personnel. To locate an authorized service agent in your area, contact your Hestan dealer, local representative, or the manufacturer. Before you call, please have the model number and serial number information on hand.

Hestan Commercial Corp.
3375 E. La Palma Avenue
Anaheim, CA 92806
(888) 905-7463

AVERTISSEMENT

L'INOBSERVATION DES INFORMATIONS DONNÉES DANS CE MANUEL PEUT ENTRAÎNER UN INCENDIE OU UNE EXPLOSION DE NATURE À CAUSER DES DÉGÂTS MATÉRIELS ET DES BLESSURES GRAVES, VOIRE MORTELLES.

Ne pas entreposer ni utiliser de l'essence ni d'autres vapeurs ou liquides inflammables dans le voisinage de l'appareil, ni de tout autre appareil.

S'IL Y A UNE ODEUR DE GAZ:

- 1) N'allumez aucun appareil.
- 2) Ne touchez pas aux interrupteurs électriques.
- 3) Ne pas utiliser de téléphone dans votre bâtiment
- 4) Appelez immédiatement votre fournisseur de gaz à partir du téléphone d'un voisin. Suivez les instructions du fournisseur de gaz.
- 5) Si vous ne pouvez pas joindre votre fournisseur de gaz, appelez les pompiers.

L'installation et l'entretien doivent être effectués par un installateur qualifié, une agence de service ou le fournisseur de gaz.

LISEZ ATTENTIVEMENT ET COMPLÈTEMENT CES INSTRUCTIONS AVANT D'INSTALLER OU D'UTILISER VOTRE APPAREIL AFIN DE RÉDUIRE LES RISQUES D'INCENDIE, DE BRÛLURE OU D'AUTRES BLESSURES. CONSERVER CE MANUEL POUR RÉFÉRENCE FUTURE.

DÉFINITIONS DE SÉCURITÉ

AVERTISSEMENT

CECI INDIQUE QUE LA MORT OU DES BLESSURES GRAVES PEUVENT SE PRODUIRE À LA SUITE DE NE PAS OBSERVER CET AVERTISSEMENT.

PRÉCAUTION

CELA SIGNIFIE QUE DES BLESSURES MINEURES OU MODÉRÉES PEUVENT SE PRODUIRE À LA SUITE DE L'OBSERVATION DE CET AVERTISSEMENT.

AVIS

CECI INDIQUE QUE DES DOMMAGES À L'APPAREIL OU À LA PROPRIÉTÉ PEUVENT SE PRODUIRE À LA SUITE DE L'OBSERVATION DE CET AVERTISSEMENT.

**INSTALLATEUR: LAISSER CE MANUEL AVEC LE PROPRIÉTAIRE DE L'APPAREIL.
PROPRIÉTAIRE: CONSERVEZ CE MANUEL POUR RÉFÉRENCE FUTURE.**

TABLES DES MATIERES

1	PRÉCAUTIONS DE SÉCURITÉ - AVANT DE COMMENCER
2	NUMÉROS DE MODÈLE
3	PLAQUE SIGNALÉTIQUE
3	RESPECT DE LA RÉGLEMENTATION ET DES CODES EN VIGUEUR
4	EMPLACEMENT ET INSTALLATION
12	RACCORDEMENT DU GAZ
15	BRANCHEMENTS POUR L'ÉLECTRICITÉ
17	EXIGENCES DE VENTILATION
18	CONVERSION
21	CONFIGURATION FINALE
23	LISTE DES PIÈCES
23	SERVICE

FR

PRÉCAUTIONS DE SÉCURITÉ - AVANT DE COMMENCER

S'il est bien entretenu, cet appareil Hestan procurera un service sûr et fiable pendant de nombreuses années. Lorsqu'on se sert de cet appareil, les pratiques élémentaires suivantes en matière de sécurité doivent être adoptées.

IMPORTANT: Conservez ces instructions pour l'utilisation locale de l'Inspecteur du gaz ou des services publics.

INSTALLATEUR: Veuillez laisser ces instructions d'installation avec le propriétaire.

PROPRIÉTAIRE: Veuillez conserver ces instructions d'installation pour référence future.

Cette table de cuisson est conçue pour un usage résidentiel uniquement.

N'installez PAS cette table de cuisson à l'extérieur.

AVERTISSEMENT

RISQUE DE DÉCHARGE ÉLECTRIQUE

Débranchez l'alimentation avant d'installer ou d'entretenir l'appareil. Avant de mettre sous tension, assurez-vous que toutes les commandes sont en position OFF. Ne pas le faire peut entraîner la mort ou un choc électrique.

MISE À LA TERRE ÉLECTRIQUE

Cet appareil doit être mis à la terre. Lisez la section **CONNEXIONS ÉLECTRIQUES** de ce manuel pour des instructions complètes.



NUMÉROS DE MODÈLE

MODÈLES DES TABLES DE CUISSON

NO. MODÈLE	DESCRIPTION	DISJONCTEUR REQUIS
KGC30	TABLE DE CUISSON À GAZ DE 30 po	15 Ampères
KGC36	TABLE DE CUISSON À GAZ DE 36 po	15 Ampères

RATINGS

KGC30	PUISSANCE BTU/h avec NG à 5 pouces WC		POWER BTU/h avec LP à 10 pouces WC	
	flux maximal	flux minimum	flux maximal	flux minimum
Avant droit	8000	1300	6000	1300
Avant gauche	8000	1300	6000	1300
Arrière droit	10500	2200	10500	2200
Arrière gauche	10500	2200	10500	2200
Centre – mitonner		850		850
Centre – flamme principale	20000		20000	

KGC36	PUISSANCE BTU/h avec NG à 5 pouces WC		POWER BTU /h avec LP à 10 pouces WC	
	flux maximal	flux minimum	flux maximal	flux minimum
Avant droit (Empilé B)	15000	1300	15000	1300
Avant gauche (Empilé B)	15000	1300	15000	1300
Arrière droit (Empilé B)	15000	1300	15000	1300
Arrière gauche (Empilé B)	15000	1300	15000	1300
Centre – mitonner		850		850
Centre – flamme principale	20000		20000	

PLAQUE SIGNALÉTIQUE

Il y a deux plaques signalétiques sur l'unité. La plaque principale contient des informations importantes sur votre appareil Hestan, telles que le modèle et le numéro de série, le type de gaz et les caractéristiques électriques.

Les deux plaques signalétiques sont situées au bas de la table de cuisson. Assurez-vous d'enregistrer votre numéro de modèle et le numéro de série pour une utilisation future. La deuxième plaque contient des informations sur les besoins en gaz et leur utilisation.

Si un entretien est nécessaire, contactez le service clientèle de Hestan avec les informations sur le modèle et le numéro de série figurant sur la plaque.

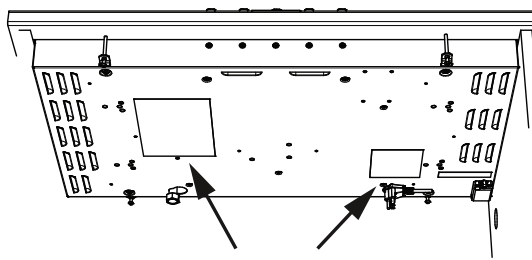


Figure 1. Emplacements des Plaques Signalétiques



Figure 2. Plaque Signalétique Typique

RESPECT DE LA RÉGLEMENTATION ET DES CODES EN VIGUEUR

L'installation de cet appareil de cuisson doit être effectuée conformément aux codes locaux. En l'absence de tels codes, installer cet appareil conformément au National Fuel Gas Code ANSI Z223.1/NFPA 54, au code Natural Gas and Propane Installation CSA B149.1 ou au Propane Storage and Handling Code B149.2. Tous les composants électriques doivent être mis à la terre conformément aux codes locaux ou, en l'absence de tels codes, au National Electrical Code ANSI/NFPA 70 ou au Code national de l'électricité du Canada CSA C22.1.

COMMUNAUTÉ DE MASSACHUSETTS

Le Massachusetts exige que toutes les installations au gaz soient effectuées par un plombier ou monteur d'installations au gaz titulaire d'une autorisation appropriée délivrée par le Massachusetts. Toutes les installations à domicile fonctionnant au propane ou au gaz naturel exigent la pose d'un robinet manuel de gaz à poignée en T sur la conduite d'alimentation en gaz de l'appareil. Le connecteur de gaz flexible ne doit pas dépasser 36 po [91,4 cm].

PROPOSITION 65 DE LA CALIFORNIE - MISE EN GARDE



AVERTISSEMENT: Ce produit peut vous exposer à des produits chimiques, notamment du monoxyde de carbone, reconnu par l'État de Californie pour causer des malformations congénitales ou d'autres problèmes de reproduction. Pour plus d'informations, visitez www.P65Warnings.ca.gov.

EMPLACEMENT ET INSTALLATION

PLACEMENT

Vérifiez l'endroit où la table de cuisson sera installée. L'emplacement doit être éloigné des forts courants d'air, tels que les fenêtres, les portes et les événements de chauffage forts ou les ventilateurs.

DÉBALLAGE

Ne retirez pas le film plastique recouvrant les surfaces en acier inoxydable. Ce film protège la finition contre les rayures jusqu'à ce que l'appareil soit installé dans sa position finale.

PRÉPARATION

Une mise à la terre électrique est requise. Voir «Exigences électriques»

Assurez-vous que l'installation électrique est adéquate et conforme au Code national de l'électricité, ANSI / NFPA 70 - dernière édition **, ou au Code canadien de l'électricité, partie 1 C22.1 (dernière édition) *** et à tous les codes et ordonnances locaux.

Assurez-vous que le raccordement au gaz est conforme aux codes et règlements locaux. En l'absence de codes locaux, les installations doivent être conformes à la norme nationale américaine ANSI Z223 / NFPA 54 - dernière édition ** canadienne AN / CGA_B 149.1 ou CAN / CGA-149.2 dernière édition **

DÉGAGEMENTS DE GAZ ET D'APPROVISIONNEMENT ÉLECTRIQUE

Si ce n'est pas déjà fait, installez une vanne d'arrêt de gaz dans un endroit facilement accessible pour l'entretien de la table de cuisson. Assurez-vous que tous les utilisateurs de la table de cuisson savent où se trouve cette fermeture et comment couper le gaz. Toute ouverture dans le mur ou le plancher derrière l'appareil doit être scellée. Les dégagements d'installation sur les pages suivantes indiquent où les zones «G» et «E» doivent être situées.

ARMOIRES

Pour éliminer le risque de brûlures ou d'incendie en atteignant les surfaces chauffées, l'espace de rangement des armoires situé au-dessus des unités de surface doit être évité. Si un armoire de rangement doit être fourni, le risque peut être réduit en installant la hotte d'évacuation requise qui dépasse horizontalement d'au moins 5 po [12,7 cm] au-delà du bas des armoires.

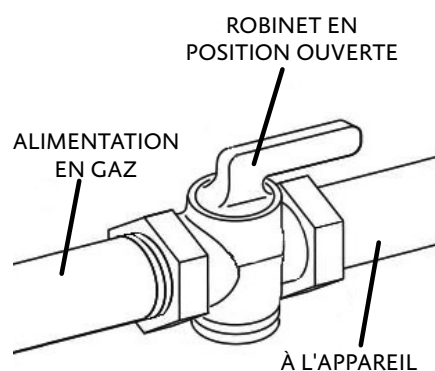


Figure 3. Robinet d'arrêt de gaz

Des copies des normes énumérées peuvent être obtenues auprès de:

** National Fire Protection Association
One Batterymarch Park
Quincy, Massachusetts 02169-7471

*** CSA International
8501 East Pleasant Valley Rd.
Cleveland, OH 44131-5575

EMPLACEMENT ET INSTALLATION / VENTILATION (suite)

FR

INSTALLATION DE LA TABLE DE CUISSON SUR LE FOUR

Seuls certains modèles spécifiés de table de cuisson et de four sont approuvés pour les installations de cuisson sur four.

Les tables de cuisson approuvées pour ce type d'installation auront une étiquette d'approbation située à l'extérieur de la boîte du brûleur. L'étiquette indique les combinaisons de table de cuisson et de four approuvées pour ce type d'installation.

Si vous ne trouvez pas cette étiquette, contactez votre revendeur pour confirmer que la table de cuisson est approuvée pour une installation sur votre modèle de four.

DIMENSIONS DE LA TABLE DE CUISSON

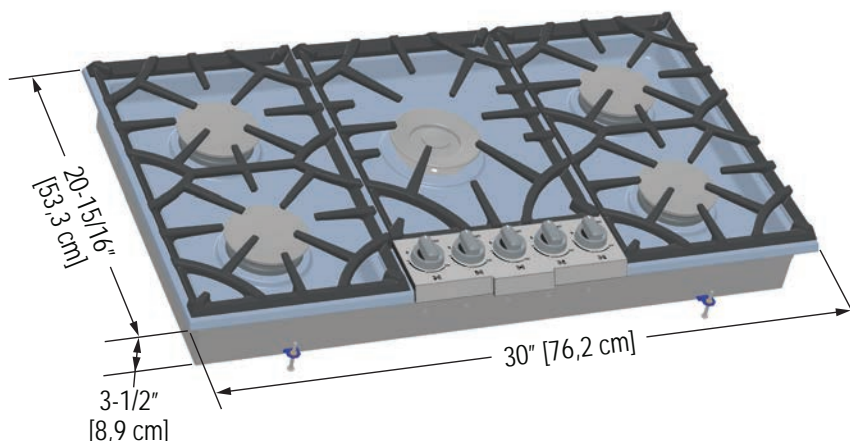


Figure 4. Modèle de 30 po

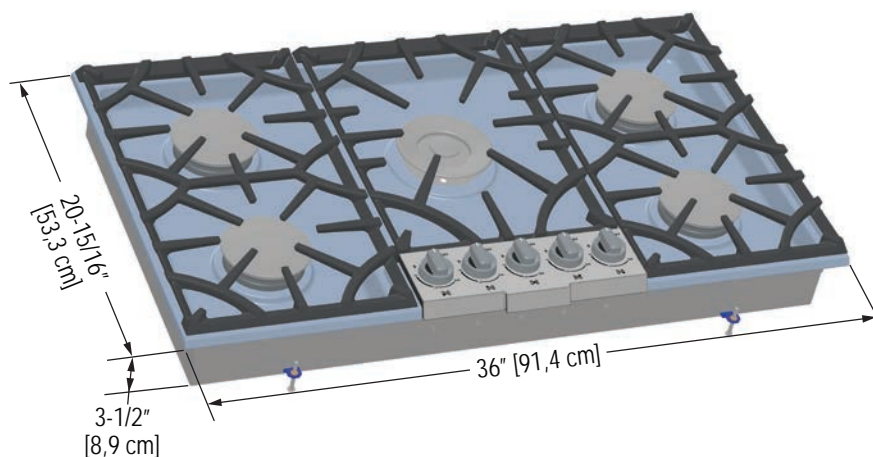


Figure 5. Modèle de 36 po

DÉGAGEMENT DE DÉTENDEUR

Le détendeur peut être monté sur la table de cuisson directement ou via un flexible (semi-rigide) tuyau de gaz en acier inoxydable avec raccords d'extrémité appropriés.

(Voir "RACCORDEMENT DU GAZ" à la page 12 pour plus d'information)

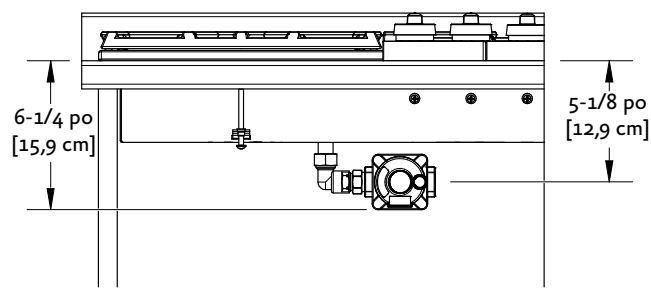


Figure 6. Dégagement du détendeur

EMPLACEMENT ET INSTALLATION / VENTILATION (suite)

COMPTOIR

- 1) Chanfreiner tous les bords exposés de décoratif stratifié pour éviter les dommages dus à l'écaillage.
- 2) Coins de rayon de découpe et fichier à assurer Lisser les bords et éviter les fissures dans les coins.
- 3) Recommander un foret de 1/4 "ou 3/8" de diamètre dans chaque coin.
- 4) Pour les comptoirs à surface solide, se reporter aux instructions du fabricant du matériau de comptoir.

COMPTOIRS DE SURFACE SOLIDES

AVIS

Pour les installations de matériaux de surface solides tels que Surel™ et Corian®, consultez un fabricant de surface solide. Appliquez du ruban réfléchissant la chaleur tel que du ruban adhésif en aluminium Scotch® # 425 ou # 427 autour de la découpe de manière à ce qu'elle se replie sur le dessus et les côtés.

N'ENROULEZ PAS LA BANDE SOUS LA TABLE DE CUISSON.

Bien vérifier que le ruban adhésif va au-delà du rebord le plus externe de la table de cuisson. Tous les angles doivent être recouverts par du ruban adhésif.

NOUVELLES INSTALLATIONS

Pour les nouvelles installations, la taille de découpe minimale est préférable.

Indique les emplacements du ruban adhésif aluminium réfléchissant

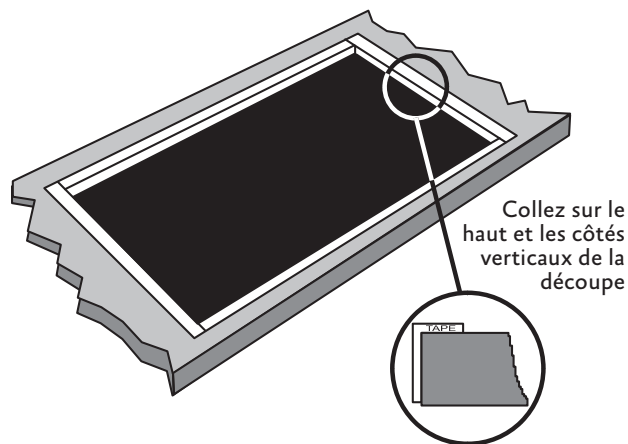


Figure 7. Installation sur un plan de travail à surface solide

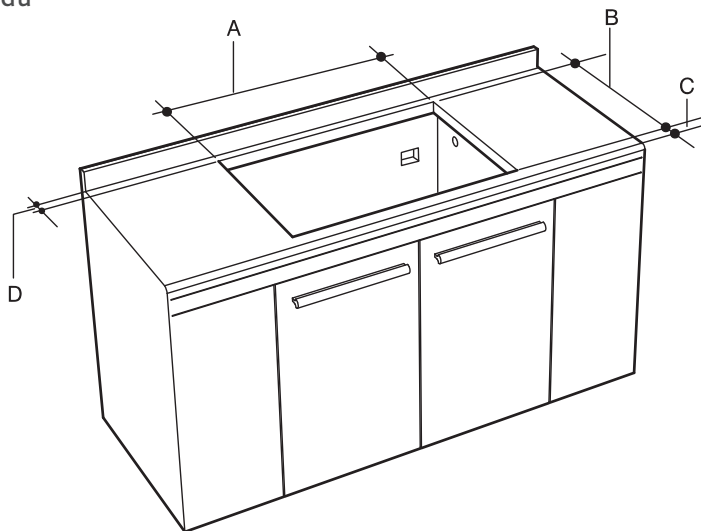


Figure 8. Dimensions pour la découpe (1/2)

Modèle de Table de Cuisson	A	B	C	D
KGC30	MIN 28-1/2 po [72,4 cm] MAX 29 po [73,7 cm]	MIN 19-1/2 po [49,5 cm] MAX 19-5/8 po [49,8 cm]	MIN 2 po [5,0 cm]	MIN 3-1/2 po [9,0 cm]
KGC36	MIN 34-1/2 po [87,6 cm] MAX 35 po [88,9 cm]	MIN 19-1/2 po [49,5 cm] MAX 19-5/8 po [49,8 cm]	MIN 2 po [5,0 cm]	MIN 3-1/2 po [9,0 cm]

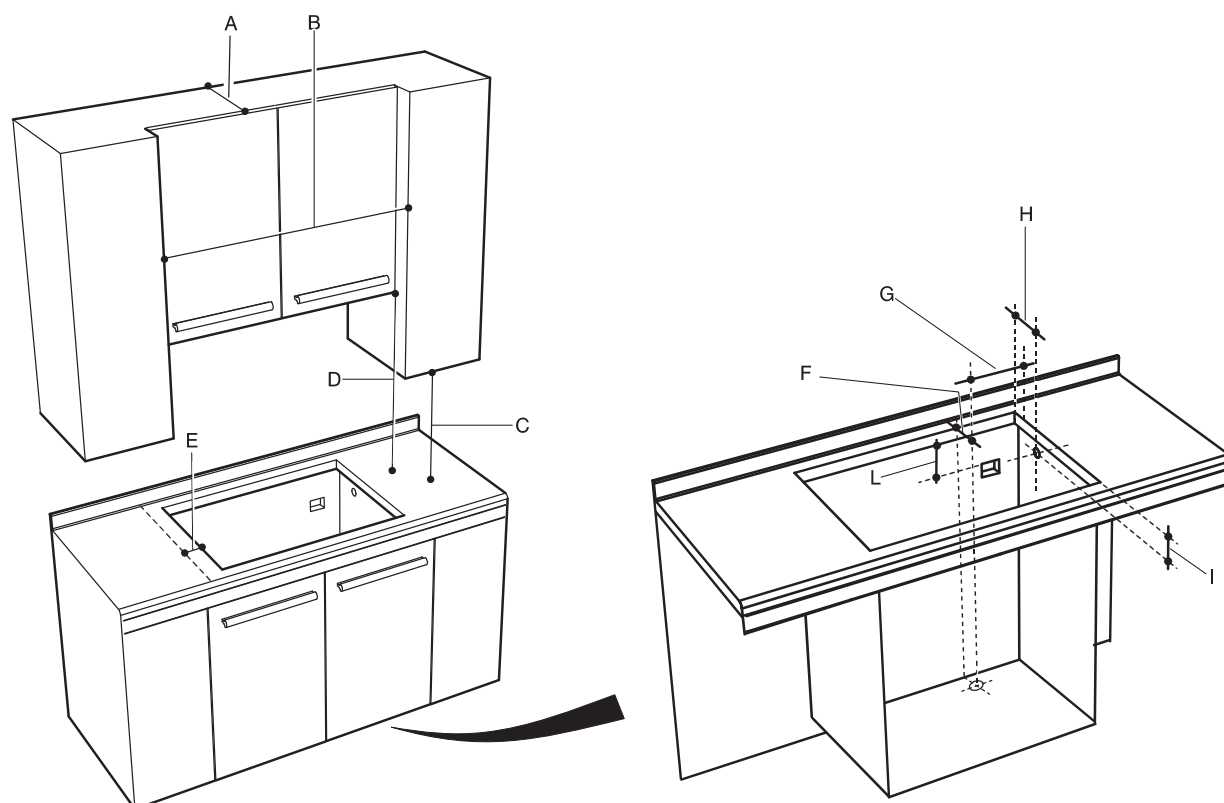


Figure 9. Dimensions pour la découpe (2/2)

- A 13 po [33 cm] Profondeur des éléments suspendus non-protégés.
- B 30 po [76,2 cm] MIN. (KGC30)
36 po [91,4 cm] MIN. (KGC36)
- C 18 po [47,7 cm] MIN. Hauteur entre le haut du plan de travail et le meuble le plus proche de chaque côté de l'unité.
- D 30 po [76,2 cm] MIN. (voir Remarque*) Espace entre plan de travail et surface en des-sus non protégée.
- E 5 po [12,7 cm] MIN. Espace entre la découpe et la paroi latérale à droite et à gauche de l'unité.
- F A partir de l'angle arrière de la découpe 2-9/32 po [5,8 cm].
- G De l'angle arrière droit de la découpe 2-19/32 po [6,6 cm].
- H Ouverture pour gaz dans l'installation de la table de cuis-son au-dessus du four encastrable 1-1/4 po [3,2 cm] de l'angle arrière de la découpe jusqu'au trou.
- I Du haut du plan de travail jusqu'au trou 6 po [15,2 cm].
- L Sortie électrique 12 po [30,5 cm] sous le bas du plan de travail.
– Diamètre du trou 1-3/16 po [3 cm].

* REMARQUE:

- Si le meuble a un tiroir, veuillez laisser un espace de 5-1/4 po [13,35 cm] de profondeur entre le haut du plan de travail et le haut du tiroir (ou d'une autre obstruction) du meuble de base. Il sera peut-être nécessaire de réduire la profondeur du tiroir pour laisser la place au détendeur.
- Il faut 24 po [61 cm] minimum d'espace si le fond en bois ou métal du meuble est protégé en ne laissant pas moins de 1/4 po [0,6 cm] de carton pâte retardateur de flamme couvert d'au moins une feuille d'acier inoxydable n° 28 MSG de 0,015 po [0,004 cm] ou d'aluminium de 0,024 po [0,06 cm] ou de cuivre 0,020 po [0,05 cm]. Il faut 30 po [76,2 cm] minimum d'espace entre le haut de la plate-forme de cuisson et le bas du meuble en bois ou métal non protégé.

INSTALLATION AUTOCARAVANE

L'installation de cette table de cuisson doit être conforme aux Normes de Nonstruction et de Sécurité des Maisons Usinées, Titre 24 CFR, partie 3280 (anciennement Norme Fédérale pour la Construction et la Sécurité des Maisons Mobiles, Titre 24 HUD, partie 280); ou lorsque cette norme n'est pas applicable, la norme pour les installations de maisons préfabriquées (sites de fabrication, collectivités et configurations), ANSI A225.1 - dernière édition, ou avec les codes locaux.

Au Canada, l'installation de cette table de cuisson doit être conforme aux normes CAN / CSA-Z240 en vigueur, ou aux codes locaux.

AVERTISSEMENT

L'appareil ne doit pas être installé avec un système de ventilation qui souffle de l'air vers la table de cuisson. Ce type de système de ventilation peut causer des problèmes d'allumage et de combustion avec l'appareil de cuisson au gaz, entraînant des blessures ou un fonctionnement imprévu.

EMPLACEMENT ET INSTALLATION *(suite)*

COMPTOIR SUPPLEMENTAIRE

Toujours consulter le fabricant du comptoir pour des instructions spécifiques.

Assurez-vous que le comptoir est carré et à niveau et assurez-vous qu'aucun élément structurel n'interfère avec l'espace exigences.

Préparer la découpe selon les instructions (voir les dimensions de découpe).

Assurez-vous que les revêtements muraux, le comptoir et les armoires autour de la table de cuisson peuvent résister à la chaleur à 200°F [93°C].

FR

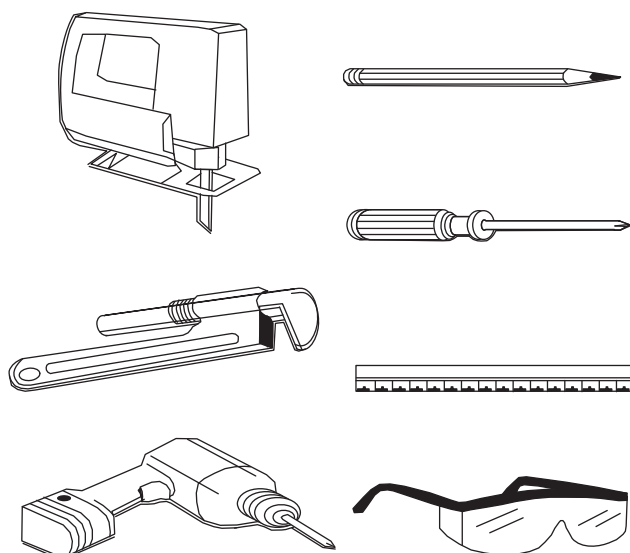


Figure 10. *Les outils dont vous aurez besoin*

⚠ PRÉCAUTION

DANGER DE POIDS EXCESSIF

Utilisez deux personnes ou plus pour déplacer et installer la table de cuisson.

Ne pas le faire peut entraîner un dos ou d'autres blessures.

DANGER DE COUPE

Méfiez-vous des bords tranchants. Utilisez les fins de l'emballage en polystyrène lorsque vous transportez le produit. Défaut d'utiliser la prudence pourrait entraîner des blessures ou des coupures mineures.

Étape 1

Avant de commencer l'installation, enlevez les matériaux d'emballage et les manuels d'explication sur la table de cuisson; puis retirez du manuel d'explication, les instructions concernant l'installation et lisez-les avec attention.

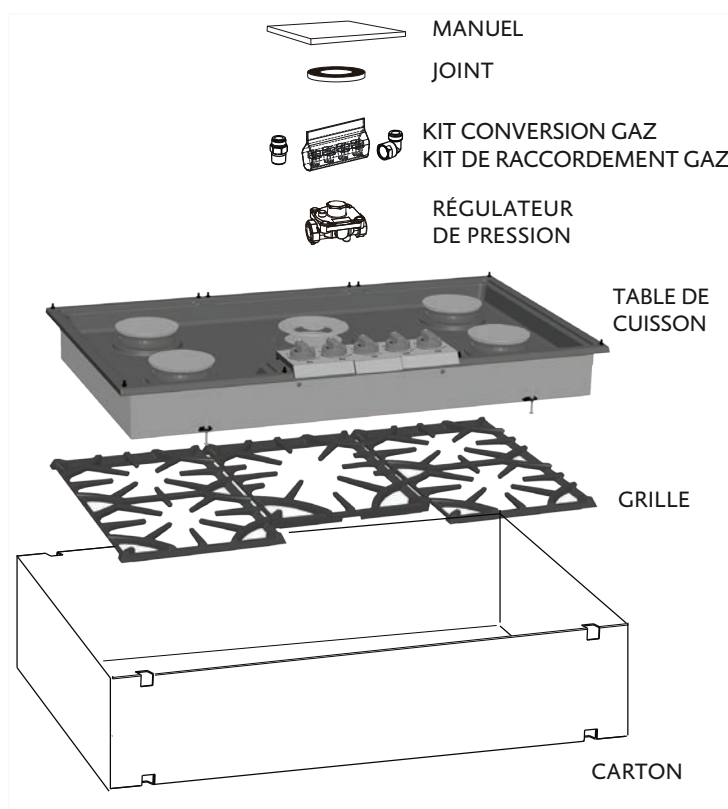


Figure 11. Pièces

Étape 2

Un ruban de mousse est fourni pour sceller les bords de la table de cuisson au comptoir. Appliquer le ruban de mousse fourni sur la face inférieure du bord de la table de cuisson.

Utilisez du ruban adhésif autour du périmètre de la table de cuisson.

Coupez les extrémités de la bande pour qu'elles se rencontrent de près.

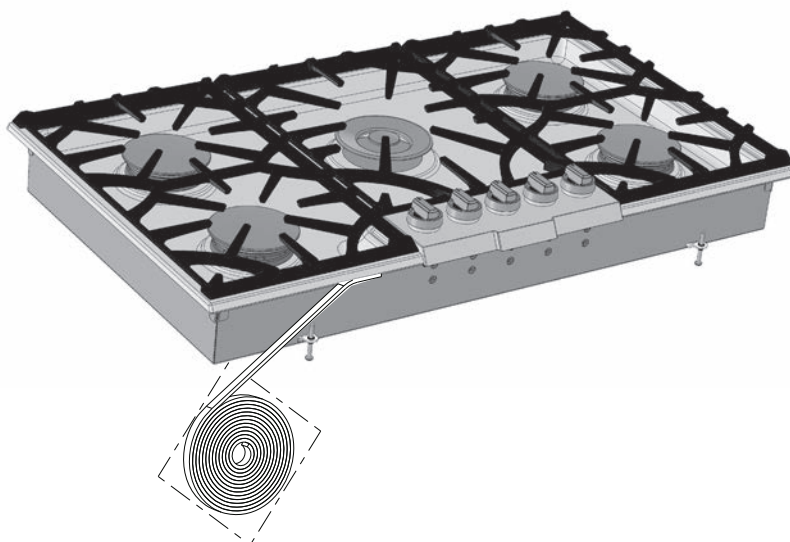
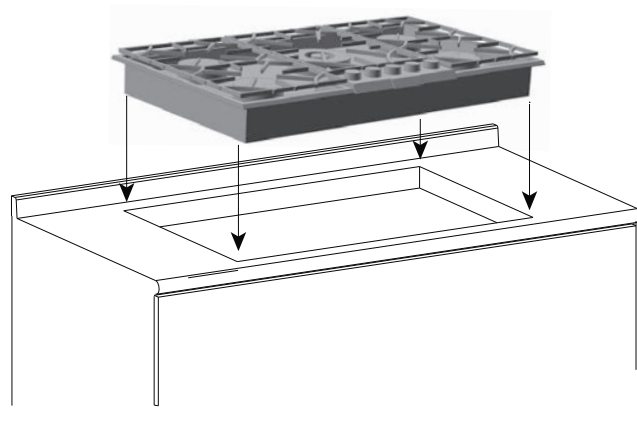


Figure 12. Appliquez le ruban adhésif

EMPLACEMENT ET INSTALLATION (suite)

Étape 3

Introduisez la table de cuisson, bien centrée, à l'intérieur de la découpe pratiquée. Vous assurez que le bord antérieur du plan de travail est bien parallèle à la table de cuisson. Procédez aux dernières vérifications pour être sûr que tous les écartements nécessaires ont été prévus.



FR

Étape 4

Quatre étriers de fixation sont fournis avec l'unité.

Une fois la table de cuisson encastrée dans le plan de travail, fixez les étriers sur la caisse du brûleur comme indiqué sur la figure 14.

Installez les supports de serrage à l'avant et à l'arrière du boîtier du brûleur (si la construction de l'armoire ne permet pas d'installer les supports avant et arrière ou le boîtier du brûleur, installez les supports de fixation sur les côtés du boîtier du brûleur).

Étape A: placez les vis de fixation dans les étriers.

Étape B: attachez les étriers par des vis de fixation aux endroits choisis sur la boîte du brûleur, serrez les vis juste assez pour tenir en place les étriers.

Étape C: positionner les supports de sorte que chaque vis de serrage soit en contact avec le fond du comptoir.

Étape D: bien serrer les vis de fixation.

Étape E: vérifiez que le bord antérieur de la table de cuisson est bien parallèle au bord du plan de travail, serrez la vis de fixation contre le plan de travail.

BIEN SERRER MAIS PAS TROP FORT

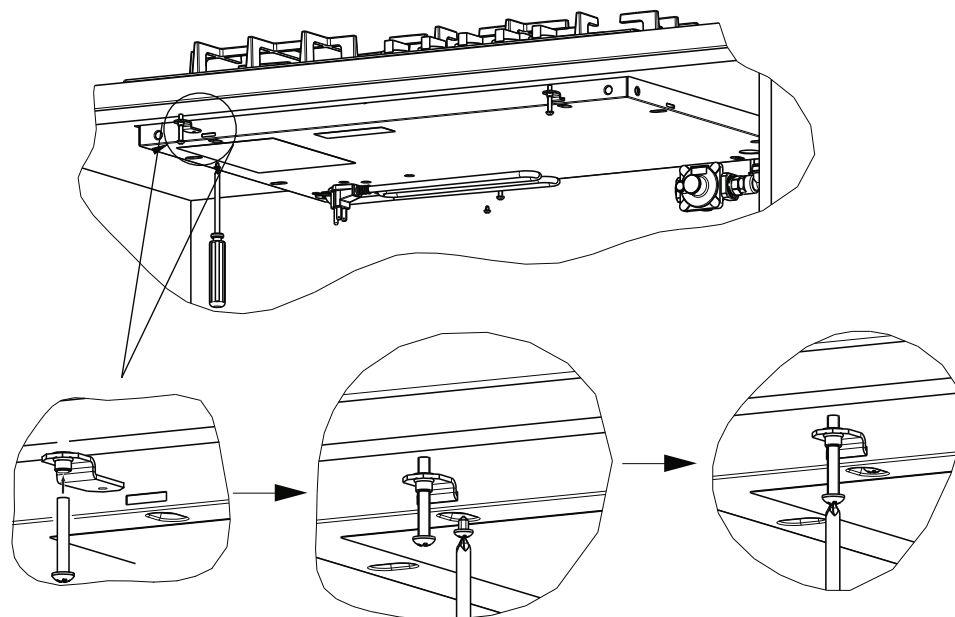


Figure 14. Supports et vis

RACCORDEMENT DU GAZ

APPROVISIONNEMENT EN GAZ

L'autorité ou le fournisseur de gaz local devrait être consulté au stade de la planification de l'installation afin d'établir la disponibilité d'un approvisionnement adéquat en gaz (gaz naturel ou GPL). S'il s'agit d'une nouvelle installation, demandez aux autorités responsables du gaz ou au fournisseur de vérifier la taille et la tuyauterie du compteur pour s'assurer que l'unité est alimentée avec la quantité d'alimentation en gaz et la pression nécessaires pour faire fonctionner l'unité.

- Le raccordement à la conduite de gaz doit être effectué par un plombier ou technicien d'entretien qualifié ou un installateur de gaz.
- Tous les appareils doivent être équipés d'un robinet d'arrêt amont de gaz accessible afin d'isoler l'appareil pour l'arrêt d'urgence et entretien.
- Assurez-vous que la nouvelle tuyauterie et les nouvelles connexions ont été faites de façon propre et ont été purgées de sorte que le composé de tuyauterie, les copeaux, etc. n'obstruent pas les détendeurs, les vannes, les orifices ou les brûleurs. Utiliser une pâte à tuyau ou pâte d'étanchéité pour raccords filetés homologués pour le gaz naturel et le GPL.

PRÉCAUTIONS POUR L'ESSAI D'APPROVISIONNEMENT

L'appareil et son robinet d'arrêt manuel individuel doivent être débranchés du système de tuyauterie d'alimentation en gaz pendant tout test de pression de ce système, à des pressions d'essai supérieures à 1/2 psi [3,5 kPa].

L'appareil doit être isolé du système de tuyauterie d'alimentation en gaz en fermant son robinet d'arrêt manuel individuel pendant tout test de pression de ce système à des pressions d'essai égales ou inférieures à 1/2 psi [3,5 kPa].



AVERTISSEMENT NE CONNECTEZ JAMAIS L'APPAREIL À UNE ALIMENTATION DE GAZ NON RÉGULÉE.

Si la pression de la conduite alimentant le détendeur de pression de l'appareil dépasse 14 pouces de colonne d'eau [3,48 kPa] (n'importe quel gaz), un détendeur externe doit être installé dans la ligne de gaz en amont du détendeur de l'appareil pour réduire la pression à pas plus de 14 pouces de colonne d'eau [3,48 kPa]. Ne pas le faire peut entraîner un dysfonctionnement et endommager l'appareil.

TYPE DE GAZ ET PRESSION

Avant de continuer, vérifiez que l'appareil est adapté au type de carburant disponible. La connexion à un type de gaz inapproprié entraînera une performance médiocre et un risque accru de dommages ou de blessures. Le type de gaz est indiqué sur la plaque signalétique. Si l'appareil a été converti en carburant de remplacement, cette information doit figurer à côté de la plaque ou près du détendeur.

Le gaz doit être fourni au détendeur de pression de l'appareil à une pression de ligne comprise entre 6 - 14 pouces de colonne d'eau [1,49 - 3,48 kPa] pour gaz naturel, et entre 11 - 14 pouces de colonne d'eau [2,43 - 3,48 kPa] pour GPL.

L'installation de cet appareil de cuisson doit être faite conformément aux codes locaux. En l'absence de codes locaux, cette unité doit être installée conformément au Code National d'installation du gaz combustible No. Z223.1 / NFPA 54, au code d'installation du gaz naturel et du propane CSA B149-1 ou au Code d'entreposage et de manipulation du propane B149.2.

KIT DE CONVERSION

Un kit de conversion est fourni avec la table de cuisson. La conversion ne peut être effectuée que par un technicien qualifié. Dans le cas où votre appareil Hestan doit être converti de gaz naturel à GPL, ou vice-versa, vous devrez contacter le service clientèle de Hestan pour organiser un appel de service. Voir la section CONVERSION de ce manuel pour plus de détails.

RACCORDEMENT DU GAZ (suite)

RACCORDEMENT DU GAZ

Après la connexion, l'installation doit être vérifiée pour les fuites. Cette procédure est sur le page suivante.

Raccordez à l'alimentation en gaz à l'aide d'un tuyau de gaz en acier inoxydable flexible (semi-rigide) d'un diamètre intérieur de 1/2 po minimum afin d'éviter la carence en gaz. Ce tuyau ne doit pas mesurer plus de 36 po [91,4 cm] de longueur, ou selon les codes applicables.

Le détendeur inclus doit être installé entre la vanne d'arrêt et l'appareil, et doit être monté de manière à ce que sa flèche directionnelle (sens d'écoulement) pointe vers le collecteur de gaz. Voir figure 15.

NE JAMAIS REUTILISER LES ANCIENS CONNECTEURS LORS DE L'INSTALLATION DE CETTE APPAREIL

Les codes ANSI Z21.24 / CSA 6.10 et ANSI Z21.75 / CSA 6.27 exigent qu'un nouveau connecteur d'appareil à gaz soit utilisé pour un nouvel appareil, lors du déplacement d'un appareil vers un nouvel emplacement ou à la suite de dommages.

Utilisez le produit d'étanchéité approprié sur toutes les connexions NPT. Ne pas appliquer de produit d'étanchéité sur les raccords évasés.

NE SERREZ JAMAIS À PLUS DE 35 lb-pi [47.4 N·m] DE TORSION.

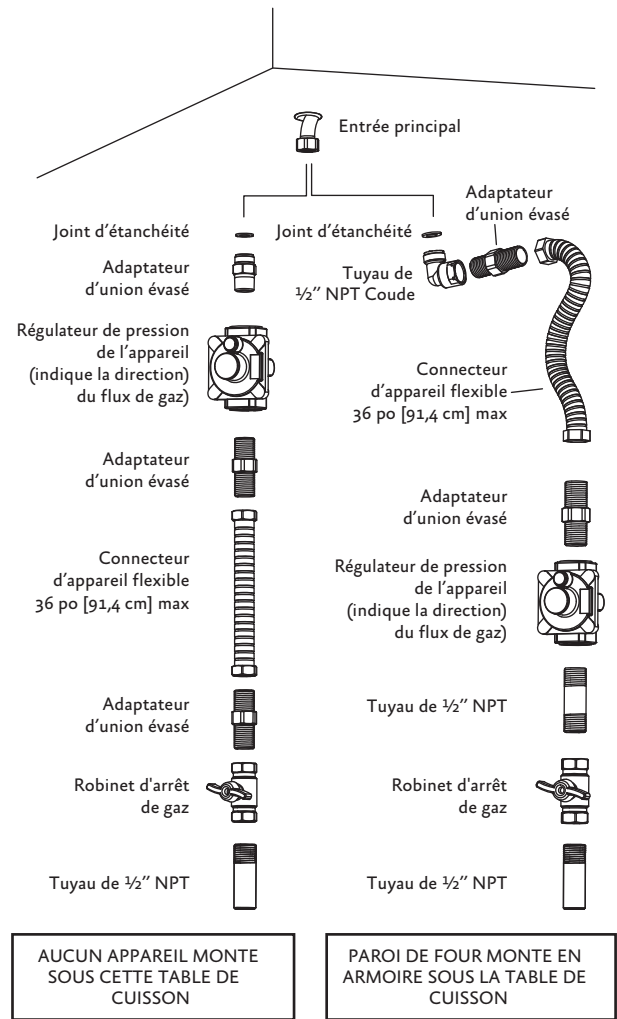
Vérifiez l'alignement des robinets après avoir raccordé la table de cuisson à l'alimentation en gaz pour vous assurer que le tuyau du collecteur n'a pas été déplacé. Un désalignement pourrait faire en sorte que la tige du bouton de la vanne frotte sur le panneau de commande, entraînant une fuite de gaz au niveau de la vanne.

⚠ PRÉCAUTION

N'essayez pas d'attacher directement le connecteur flexible à un filetage de tuyau externe. Le branchement requiert des adaptateurs de raccord évasés.

POUR DES INSTALLATIONS MASSACHUSETTS:

1. Le robinet d'arrêt doit être un robinet de gaz à «T»
2. La longueur du connecteur de gaz flexible ne doit pas dépasser 36 po [91,4 cm].
3. N'est pas approuvé pour être installé dans des chambres ou une salle de bain sauf si la pièce est ventilée directement.



TEST DE FUITE

GÉNÉRAL

Bien que toutes les connexions de gaz sur votre appareil Hestan soient testées en usine avant l'expédition, un contrôle complet du gaz doit être effectué sur le site d'installation en raison d'un mouvement éventuel ou d'une pression excessive appliquée sans le savoir à certaines parties de l'appareil. Vérifiez immédiatement si l'odeur de gaz est détectée. L'essai d'étanchéité de l'appareil doit être effectué conformément aux instructions suivantes:

AVANT DE TESTER

- Ne pas fumer pendant les tests d'étanchéité.
- Ne jamais tester les fuites avec une flamme nue.
- Faire une solution savonneuse d'une partie de détergent liquide et une partie d'eau pour les tests d'étanchéité.
- Appliquez la solution sur les raccords de gaz et le flexible en utilisant un vaporisateur ou une brosse.

TESTER

- Assurez-vous que tous les boutons de commande sont en position «OFF».
- Appliquez la solution de savon sur tous les raccords et flexibles.
- Activer l'alimentation en gaz.
- Vérifiez toutes les connexions de la ligne d'alimentation jusqu'à la connexion du détendeur à l'arrière de l'appareil.
- Des bulles de savon apparaîtront lorsqu'une fuite est présente. En cas de fuite, fermez immédiatement l'alimentation en gaz, resserrez les raccords qui fuient, rallumez le gaz et revérifiez.
- Si vous ne pouvez pas arrêter une fuite de gaz, fermez l'alimentation en gaz et appelez le revendeur chez qui vous avez acheté votre appareil.
- N'utilisez pas l'appareil tant que toutes les connexions n'ont pas été vérifiées et qu'elles ne fuient pas.

TESTER LE DÉTENDEUR

Lorsque vous vérifiez la fonction du détendeur de l'appareil, assurez-vous que la pression correcte est fournie au détendeur. Pour l'approvisionnement en gaz naturel, 6 - 14 pouces de colonne d'eau [1,49 - 3,48 kPa], et entre 11 - 14 pouces de colonne d'eau [2,43 - 3,48 kPa] pour GPL.

Pour tester le détendeur, sélectionnez l'un des brûleurs latéraux et raccordez-le à l'orifice de l'orifice, comme suit.

PROCÉDURE DE TEST DE PRESSION

- 1) Retirer la grille et le chapeau du brûleur (A).
- 2) Retirez l'épandeur de gaz (B).
- 3) Retirer temporairement l'orifice (C).
Remarque - pour le brûleur empilé de l'unité 36, vous utiliserez l'orifice central (mijoter) et réglez le bouton sur SIM de sorte que l'orifice principal ne s'écoule pas.
- 4) Connectez la jauge d'essai de pression dans le port duquel vous avez retiré l'orifice.
(M6 x 0,75)

RACCORDEMENT DU GAZ (suite)

- 5) Pour l'unité KGC30, tournez le bouton du brûleur d'essai sur HI.
Pour l'unité KGC36, tournez le bouton du brûleur d'essai sur SIM.
- 6) Vérifiez si la table de cuisson a la bonne pression.
- 7) Tournez le bouton de commande sur OFF.
- 8) Retirez la jauge et réinstallez l'orifice.
Remettez l'épandeur à gaz, le chapeau du brûleur et la grille en place.

FR

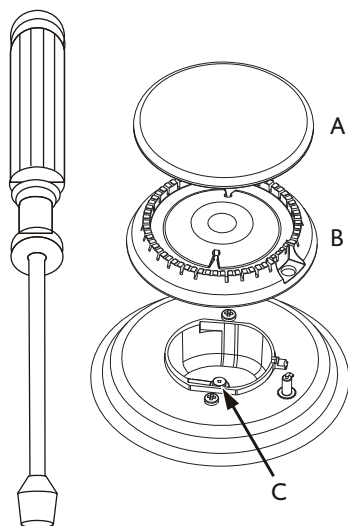


Figure 16. Port de test de pression du détendeur (KGC30)

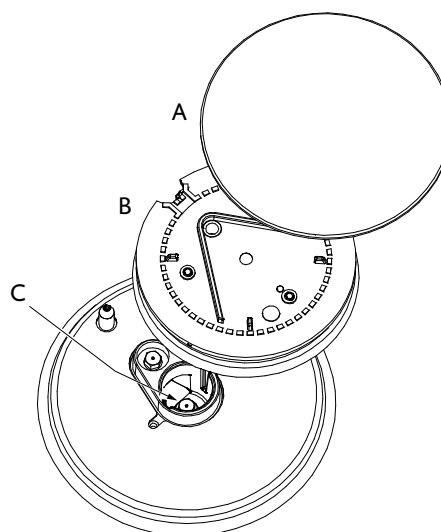


Figure 17. Port de test de pression du détendeur (KGC36)

BRANCHEMENTS POUR L'ÉLECTRICITÉ

INFORMATIONS GÉNÉRALES

Cet appareil doit être alimenté avec la tension et la fréquence appropriées et connecté à un circuit de dérivation individuel correctement mis à la terre, protégé par un disjoncteur ou un fusible d'ampérage tel qu'indiqué sur la plaque signalétique. Nous vous recommandons de faire raccorder le câblage électrique et le branchement de votre table de cuisson par un électricien qualifié.

Après l'installation, demandez à l'électricien de vous indiquer où se trouve la déconnexion de la table de cuisson principale.

Vérifiez auprès de vos services publics locaux pour les codes électriques qui s'appliquent dans votre région. Le fait de ne pas câbler votre table de cuisson selon les codes en vigueur pourrait entraîner une situation dangereuse.

S'il n'y a pas de codes, votre table de cuisson doit être câblée et fusionnée pour répondre aux exigences du Code national de l'électricité, ANSI / NFPA n° 70 - dernière édition. Vous pouvez en obtenir une copie en écrivant:

National Fire Protection Association
One Batterymarch Park
Quincy, Massachusetts 02169-7471

Au Canada, votre table de cuisson doit être câblée et fusionnée pour répondre aux exigences du Code canadien de l'électricité.

Assurez-vous que l'installation de ce produit dans une maison mobile est conforme à la norme sur la construction et la sécurité des maisons usinées, titre 24 CFR, partie 3280.

BRANCHEMENTS POUR L'ÉLECTRICITÉ (suite)

Si cette norme ne s'applique pas, vous devez respecter la norme pour les installations de maisons préfabriquées, ANSI A225.1 et les installations, sites et communautés de maisons préfabriquées et ANSI / NFPA 501A ou les codes locaux.

Vous pouvez obtenir une copie de la norme fédérale en écrivant:

Office of Mobile Home Standards
HUD Building
451 7th Street, S.W.
Washington, D.C. 24010

RISQUE DE DÉCHARGE ÉLECTRIQUE



Débranchez l'alimentation avant d'installer ou d'entretenir l'appareil. Avant de mettre sous tension, assurez-vous que toutes les commandes sont en position «OFF». Ne pas le faire peut entraîner la mort ou un choc électrique.



MISE À LA TERRE ÉLECTRIQUE

POUR VOTRE SÉCURITÉ PERSONNELLE, CET APPAREIL DOIT ÊTRE CORRECTEMENT MIS À LA TERRE.

Branchez dans une prise à 3 broches reliée à la terre. Ne pas enlever la broche de mise à la terre. Ne pas utiliser un adaptateur. N'utilisez pas de rallonge.

Le non-respect de ces instructions peut entraîner la mort, le feu ou l'électricité choc.

CONNEXION ÉLECTRIQUE

Le réceptacle doit être sur son propre circuit dédié - 120 VAC, monophasé, 60 Hz, avec une intensité nominale de 15 ampères. Si ce n'est pas disponible, un électricien agréé doit installer le réceptacle dédié et mis à la terre. L'installation doit être faite conformément aux codes locaux, ou en l'absence de codes locaux, il doit être installé conformément au Code national de l'électricité, ANSI / NFPA 70.

Le cordon d'alimentation de cet appareil est équipé d'une fiche à trois broches (mise à la terre) qui doit être utilisée avec une prise à trois trous correctement mise à la terre et un courant domestique standard de 120 volts et 60 volts CA. Si vous n'avez pas de prise mise à la terre à 3 trous, demandez à un électricien qualifié de remplacer votre ancienne.

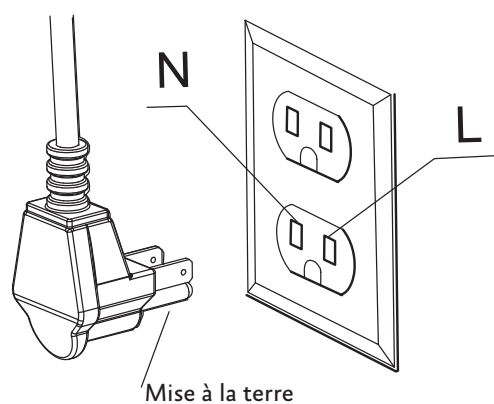
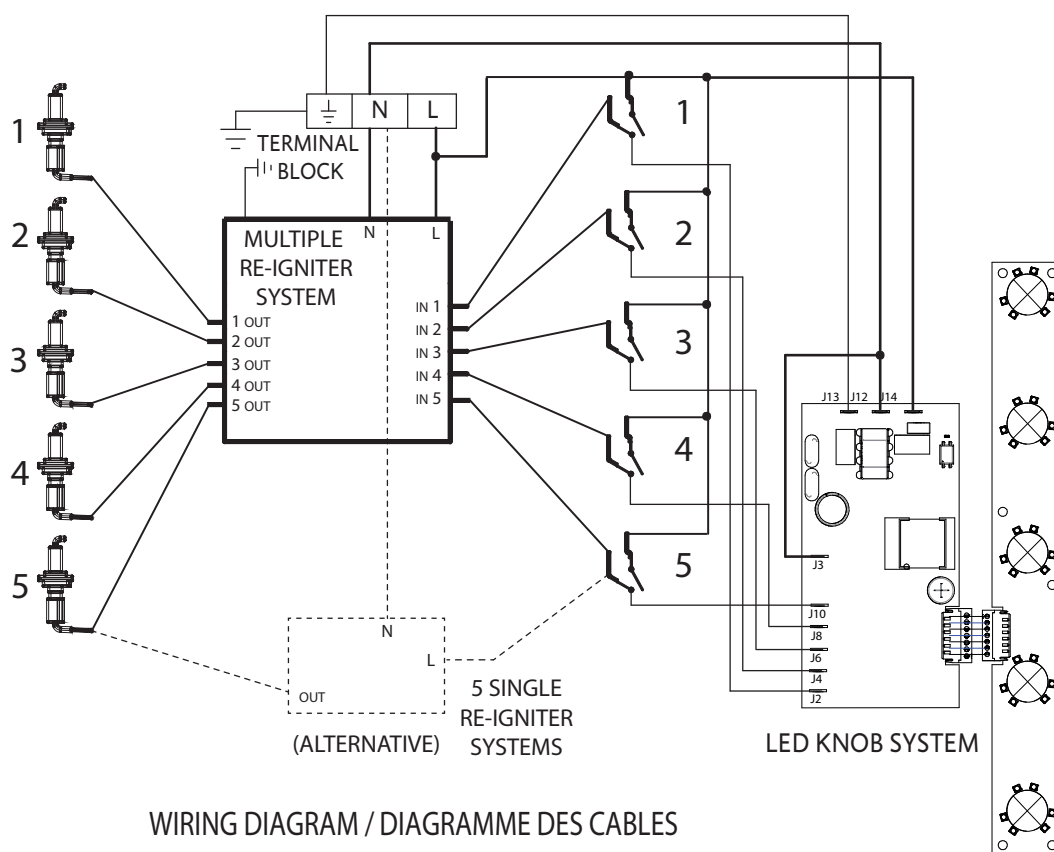


Figure 18. Cordon à trois broches et réceptacle

EXIGENCES ÉLECTRIQUES

Ne coupez ou ne retirez en aucun cas la broche de mise à la terre du cordon de la table de cuisson.

FR



WIRING DIAGRAM / DIAGRAMME DES CABLES

Figure 19. Corde à trois broches et réceptacle

EXIGENCES DE VENTILATION

Il est fortement recommandé d'installer cet appareil avec une hotte Hestan. En raison de la puissance calorifique élevée de cette surface de cuisson, il est très important que l'installation de la hotte et des conduits réponde aux codes du bâtiment locaux et soit installée par un technicien qualifié.

N'utilisez pas de système de ventilation à tirage descendant.

Ne montez pas une combinaison four à micro-ondes / ventilateur au-dessus de la table de cuisson. Ce type d'unité n'a pas un débit d'air suffisant pour éliminer la chaleur élevée de cette surface de cuisson.

Pour les hottes d'évacuation non approuvées par Hestan, la hotte de ventilation et/ou la soufflante doivent avoir une capacité nominale de 1 PCM [1,7 m³/h] pour 100 BTU [0,3 kW].

Pour les applications en îlot, il est recommandé d'utiliser une hotte d'évacuation de 6 po [15,2 cm] plus large que l'appareil, pour permettre un chevauchement de 3 po [7,6 cm] à gauche et à droite de l'appareil.

Gardez le conduit court aussi court et droit que possible. Les coudes et les raccords de transition réduisent l'efficacité du flux d'air. Hestan recommande de maintenir le conduit sous 50 pieds [15,2 m].

CONSULTEZ VOTRE CONCESSIONNAIRE HESTAN POUR SÉLECTIONNER LA HOTTE DE VENTILATION APPROPRIÉE POUR VOTRE APPAREIL HESTAN.

CONVERSION

CONVERSION POUR GAZ GPL

Un kit de conversion est fourni avec la table de cuisson qui contient les pièces nécessaires pour changer la table de cuisson de gaz naturel au GPL. Nous vous encourageons à conserver le kit avec ce manuel afin qu'il soit disponible en cas de besoin. En outre, si l'unité est convertie en GPL, les pièces retirées du processus de conversion doivent être sauvegardées au cas où l'unité doit être reconvertie en gaz naturel.

AVERTISSEMENT

La conversion doit être effectuée par un **TECHNICIEN AGRÉÉ** (ou un autre agent qualifié) conformément aux instructions du fabricant et à tous les codes et exigences de l'autorité compétente. Le non-respect des instructions peut entraîner des blessures graves ou des dommages matériels. L'agent qualifiée effectuant ce travail assume la responsabilité de cette conversion.

AVERTISSEMENT

L'alimentation électrique et le gaz doivent être éteints avant la conversion.

EXIGENCES

Si cet appareil doit être converti pour être utilisé avec du gaz GPL (propane ou butane), le détendeur doit être converti et les orifices des brûleurs doivent être changés:

- Après la conversion, l'appareil doit être étiqueté pour indiquer son nouveau besoin en carburant.

Remarque: Les brûleurs extérieurs sont différents entre le KGC30 et le KGC36. Assurez-vous de suivre les étapes pour l'unité correcte.

REPLACEMENT DE L'ORIFICE DU BRÛLEUR D'ANNEAU UNIQUE (KGC30)

- 1) Retirez les grilles et les coupelles des brûleurs.
- 2) Retirer l'épandeur de gaz en aluminium.
- 3) Desserrer l'orifice en tournant le tourne-écrou de 9/32 po dans le sens anti-horaire.
- 4) Installez l'orifice fourni avec cet appareil dans le brûleur approprié. Chaque orifice a un numéro estampillé sur le côté, qui identifie le diamètre de l'orifice.
- 5) Tournez dans le sens horaire pour serrer. Serrer à un couple de 15-20 lb-po [1,7 -2,3 N-m].
- 6) Remplacer toutes les pièces en suivant l'ordre inverse.
- 7) Gardez les orifices retirés de l'appareil pour une utilisation future.

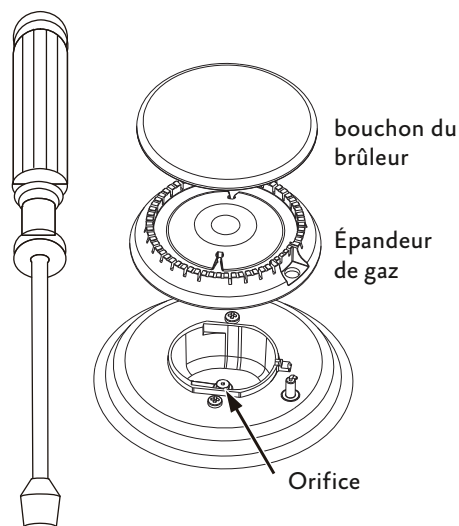


Figure 20. Brûleur à un seul anneau

REPLACEMENT DES ORIFICES DU BRÛLEUR CENTRAL (ANNEAU DOUBLE) (KGC30, 36)

- 1) Retirez les grilles et les chapeaux des brûleurs (A).
- 2) Retirez l'épandeur de gaz (B).
- 3) Retirez la vis du couvercle de l'orifice (C).
Retirez le couvercle de l'orifice.
- 4) L'orifice central (D) peut être retiré en utilisant un tourne-écrou de 9/32 po (dans le sens anti-horaire).
- 5) Les deux autres orifices (E) peuvent être retirés en utilisant une clé polygonale de 9/32 po. (Compteur dans le sens horaire.)
- 6) Installez les orifices fournis avec cet appareil dans le brûleur approprié. Chaque orifice a un numéro estampillé sur le côté, qui identifie le diamètre de l'orifice. (Voir la Figure 23 pour la orifices à utiliser dans chaque position du brûleur.)

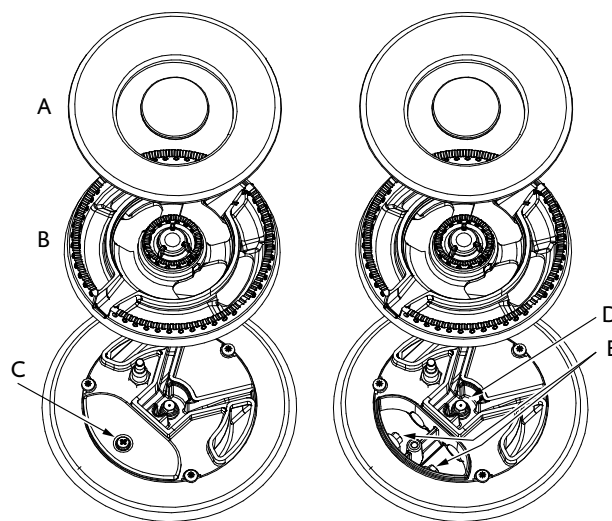


Figure 21. Brûleur d'anneau double

- 7) Tournez dans le sens horaire pour serrer. Serrer à un couple de 15-20 lb-po [1,7 -2,3 N-m].
- 8) Remplacer toutes les pièces en suivant l'ordre inverse.
- 9) Gardez les orifices retirés de l'appareil pour une utilisation future.

REPLACEMENT DES ORIFICES DU BRÛLEUR EMPILÉ (KGC36)

- 1) Retirez les grilles et les chapeaux du brûleur (A).
- 2) Retirez l'épandeur de gaz (B).
- 3) Desserrer les orifices (C) en tournant le tourne-écrou de 9/32 po dans le sens anti-horaire.
- 4) Installez les orifices fournis avec cet appareil dans le brûleur approprié. Chaque orifice a un numéro estampillé sur le côté, qui identifie le diamètre de l'orifice. (Voir la Figure 23 pour la orifices à utiliser dans chaque position du brûleur.)
- 5) Tournez dans le sens horaire pour serrer. Serrer à un couple de 15-20 lb-po [1,7 -2,3 N-m].
- 6) Remplacer toutes les pièces en suivant l'ordre inverse.
- 7) Gardez les orifices retirés de l'appareil pour une utilisation future.

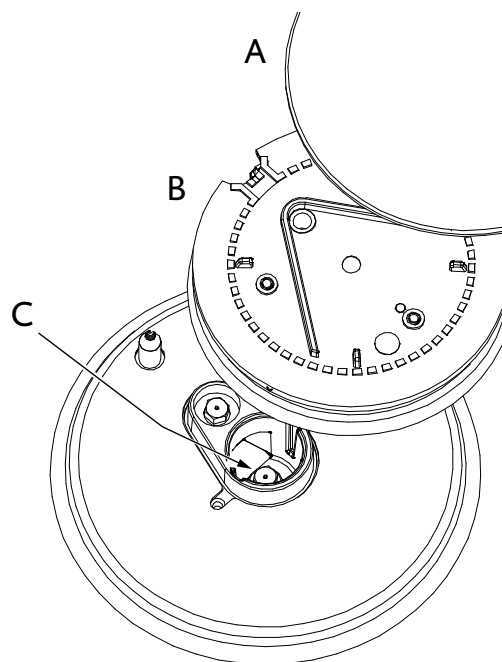


Figure 22. Brûleur Empilé

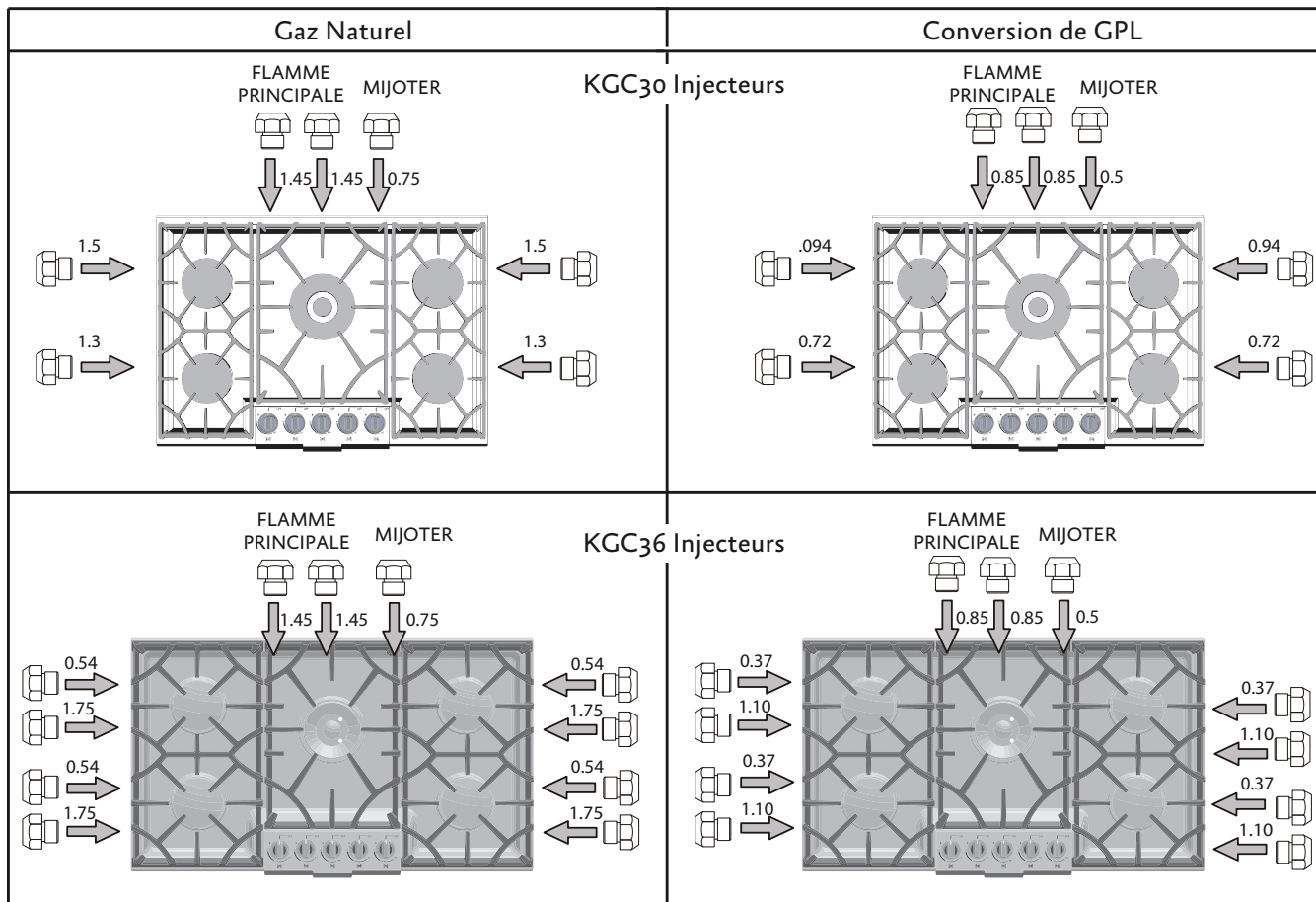


Figure 23. Position des Injecteurs

CONVERSION DU DÉTENDEUR DE PRESSION

Les appareils sont conçus pour une utilisation au gaz naturel ou gaz liquide. Le détendeur de pression est fourni. Il doit être installé sur l'arrivée de gaz derrière l'entrée du distributeur. Il est pré-réglé pour une utilisation avec le gaz fourni avec les appareils. Pour une utilisation avec des gaz différents, il doit être converti.

Pour la conversion du détendeur de pression, suivez les instructions ci-dessous:

- Déconnectez tous les branchements électriques, au disjoncteur principal ou à la boîte de fusible.
- Fermez l'alimentation de gaz à la table de cuisson en fermant manuellement le robinet de retenue.
- Ajustez le détendeur de pression, en suivant les instructions (voir Figure 24)
 - 1) Dévissez le couvercle du détendeur.
 - 2) Dévissez la fiche d'alimentation de conversion en plastique du chapeau tournez et revissez (grande section retirée du chapeau pour GPL, et contre le chapeau pour le gaz naturel - voir Figure 24).
 - 3) Remplacez le chapeau du détendeur.

CONVERSION (suite)

VÉRIFICATION DE LA FLAMME

Après avoir remplacé les injecteurs et converti le détendeur, ajustez la flamme du brûleur (voir «Réglage du Brûleur» à la page 22.)

Vérifiez l'apparence de chaque flamme des brûleurs sur les réglages HI-LO, si la flamme semble trop grande ou trop petite, vérifiez si les étapes ont bien été suivies correctement.

CONVERSION DE L'APPAREIL DE GPL À GAZ NATUREL

Pour convertir l'appareil pour une utilisation avec le Gaz Naturel à partir de GPL (propane ou butane):

- 1) Convertissez le détendeur conformément à la section «Conversion du Détendeur de Pression» à la page 20.
 - 2) Remplacez les orifices de tous les brûleurs conformément aux instructions précédentes et à la Figure 23.
 - 3) Vérifiez la flamme, réglez-la selon les besoins, voir «Réglage du Brûleur» à la page 22.
- Après la conversion, l'appareil doit être étiqueté pour indiquer son nouveau besoin en carburant.

Remarque: Les brûleurs extérieurs diffèrent entre le KGC30 et le KGC36. Assurez-vous de suivre les étapes pour la bonne unité.

CONFIGURATION FINALE

AVANT DE TESTER LES BRÛLEURS

Avant de tester le fonctionnement de l'appareil, vérifiez que le contrôle de fuite a été effectué et que l'alimentation électrique a été rétablie sur l'appareil. Tous les boutons de commande doivent être en position OFF. Tournez la vanne d'arrêt de gaz en position ouverte.

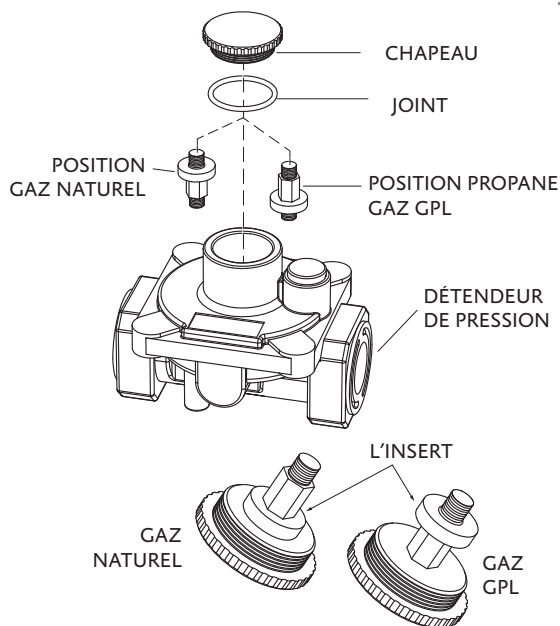
Vérifiez que tous les matériaux d'emballage ont été enlevés et que tous les brûleurs et les grilles sont correctement positionnés.

BRÛLEURS DE TEST

Vérifiez l'allumage à chaque brûleur. Pour chaque brûleur, appuyez et tournez le bouton pour ⚡ jusqu'à ce que le brûleur s'allume, puis réglez-le au réglage désiré.

- Si le brûleur ne s'allume pas dans les cinq secondes, fermez le bouton et attendez une minute avant de réessayer.

Vérifiez les caractéristiques de la flamme sur chaque brûleur selon les descriptions ci-dessous. Les flammes doivent être stables et ne pas danser ou soulever les ports du brûleur. La flamme peut devoir brûler pendant quelques minutes pour purger les lignes de gaz des impuretés. Ceux-ci apparaissent comme des pointes orange intermittentes ou même de minuscules étincelles dans la flamme. Ceci est normal et la flamme finira par se stabiliser comme celles montrées dans la Figure 26.



AVANT DE REPLACER LE CHAPEAU DU DÉTendeur, VÉRIFIEZ QUE LA POSITION DE L'INSERT EST APPROPRIÉE POUR LA CONVERSION DU GAZ

Figure 24. Détendeur de pression

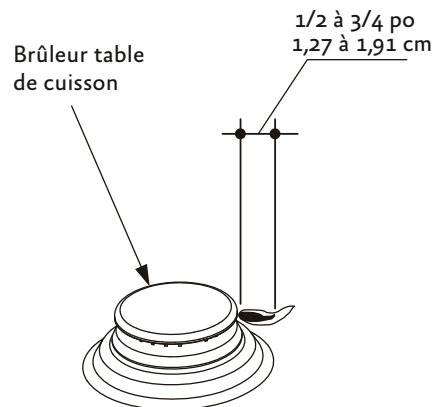


Figure 25. Taille de la flamme du brûleur

⚠ PRÉCAUTION

Si vous essayez de mesurer le cône interne de la flamme, faites attention. Vous pourriez vous brûler. Si, après quelques minutes, les flammes continuent de brûler la plupart du temps en jaune, vérifiez que le chapeau du brûleur est correctement installée sur la base, puis refaites le test. Soyez prudent lorsque vous manipulez le chapeau du brûleur. Ils peuvent être très chauds.

Tournez le bouton de commande sur la position LO (et SIM, le cas échéant) pour vérifier la fonction.

La procédure de Réglage du Brûleur est montré ci-dessous.

Vérifiez chaque brûleur individuellement, puis vérifiez qu'ils fonctionnent de manière satisfaisante avec les autres brûleurs allumés.

Si, après tout les tests ci-dessus entraînent toujours des flammes jaunes ou que les brûleurs ne s'allument pas, contactez le service clientèle de Hestan pour programmer un appel de service.

ASPECT DES FLAMMES DE GAZ

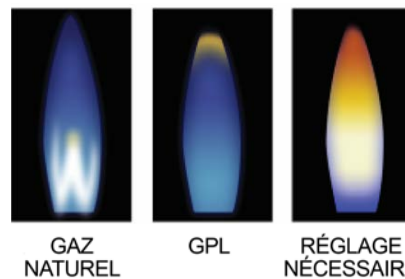


Figure 26. Apparence de la flamme du brûleurs

RÉGLAGE DU BRÛLEUR

Cet appareil est expédié de l'usine avec des réglages de flamme faibles et moyens ajustés.

Chaque brûleur peut être ajusté si nécessaire, mais les procédures varient selon le type de brûleur.

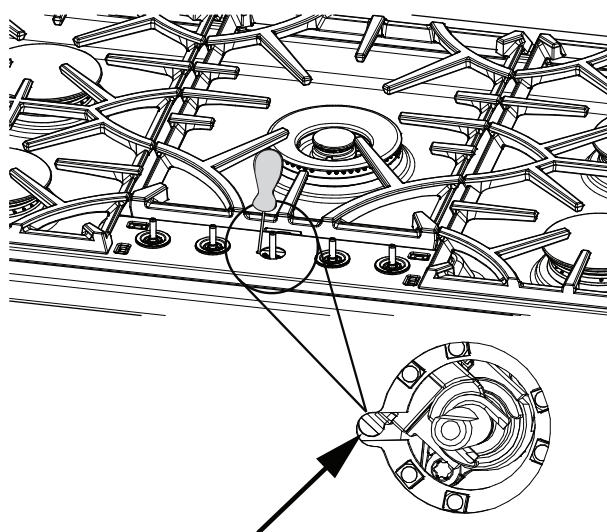
- Les brûleurs latéraux peuvent être réglés pour le niveau bas de la flamme principale.
- La flamme de mijotage du brûleur central (petit brûleur central) peut être ajustée.

Réglage pour brûleurs avec un ou deux anneaux de flamme:

- 1) Retirez les boutons en les tirant vers le haut.
- 2) Retirez le panneau en le soulevant tout droit. Si vous devez de soulever, utilisez quelque chose qui n'endommagera pas la finition.
- 3) Pour chaque brûleur à régler, remettez le bouton en place suffisamment pour faire fonctionner la vanne.
- 4) Allumer le brûleur
Pour un brûleur latéral: réglez le bouton de commande sur LO.
Pour le brûleur central: réglez le bouton de commande sur SIM
- 5) Retirez le bouton de commande de la tige de la vanne.
- 6) Utilisez un tournevis pour ajuster la vis montrée dans l'illustration pour régler la taille de la flamme:
Dans le sens anti-horaire pour augmenter
Dans le sens horaire pour réduire
- 7) Lorsque le réglage est terminé, éteignez le brûleur.
- 8) Lorsque tous les brûleurs ont été ajustés, remplacer le panneau et les boutons de commande.

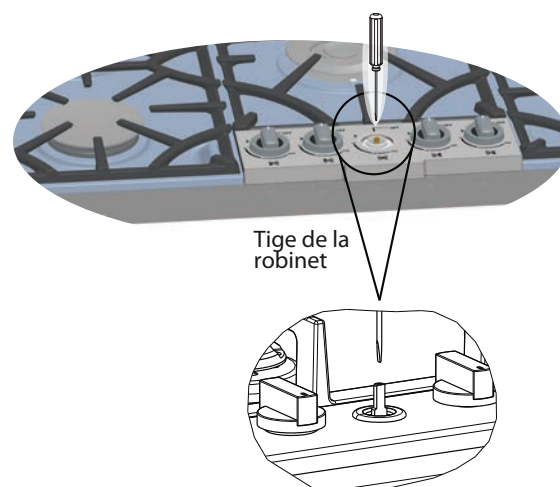
CONFIGURATION FINALE (suite)

FR



- Dans le sens anti-horaire pour augmenter la taille de la flamme
- Dans le sens horaire pour réduire la taille de la flamme

Figure 27. Vis de réglage - brûleur central et brûleurs empilés



- Dans le sens anti-horaire pour augmenter la taille de la flamme
- Dans le sens horaire pour réduire la taille de la flamme

Figure 28. Vis de réglage - brûleur à flux simple

LISTE DES PIÈCES

Visiter le site Web Hestan pour consulter la liste des pièces de ce produit:
www.hestanhome.com.

SERVICE

Toutes les réparations sous garantie et hors garantie doivent être effectuées par un technicien qualifié. Pour trouver un agent de service autorisé dans votre région, contactez votre revendeur Hestan, votre représentant local ou le fabricant. Avant d'appeler, veuillez avoir sous la main le numéro de modèle et le numéro de série.

Hestan Commercial Corp.
3375 E. La Palma Avenue
Anaheim, CA 92806
(888) 905-7463

**RETAIN THIS MANUAL FOR FUTURE REFERENCE
CONSERVEZ CE MANUEL POUR UNE RÉFÉRENCE FUTURE**



Hestan Commercial Corporation

3375 E. La Palma Ave.
Anaheim, CA 92806
(888) 905-7463