



INDOOR COOKING

Warming Drawer

KWD

Use and Care Manual Installation Instructions

 **HESTAN**

WARNING

IF THE INFORMATION IN THIS MANUAL IS NOT FOLLOWED EXACTLY, A FIRE OR EXPLOSION MAY RESULT CAUSING PROPERTY DAMAGE, PERSONAL INJURY, OR DEATH.

Do not store or use gasoline or other flammable vapors and liquids in the vicinity of this or any other appliance.

Installation and service must be performed by a qualified installer or service agency.

DO NOT REPAIR, REPLACE OR REMOVE ANY PART OF THE APPLIANCE UNLESS SPECIFICALLY RECOMMENDED IN THE MANUALS. IMPROPER INSTALLATION, SERVICE OR MAINTENANCE CAN CAUSE INJURY OR PROPERTY DAMAGE. REFER TO THIS MANUAL FOR GUIDANCE. ALL OTHER SERVICING SHOULD BE DONE BY A HESTAN AUTHORIZED SERVICE TECHNICIAN.

READ THESE INSTRUCTIONS CAREFULLY AND COMPLETELY BEFORE INSTALLING OR USING YOUR APPLIANCE TO REDUCE THE RISK OF FIRE, BURN HAZARD, OR OTHER INJURY. KEEP THIS MANUAL FOR FUTURE REFERENCE.

SAFETY DEFINITIONS

WARNING

THIS INDICATES THAT DEATH OR SERIOUS INJURY MAY OCCUR AS A RESULT OF NOT OBSERVING THIS WARNING

CAUTION

THIS INDICATES THAT MINOR OR MODERATE INJURY MAY OCCUR AS A RESULT OF NOT OBSERVING THIS WARNING.

NOTICE

THIS INDICATES THAT DAMAGE TO THE APPLIANCE OR PROPERTY MAY OCCUR AS A RESULT OF NOT OBSERVING THIS WARNING.

INSTALLER: LEAVE THIS MANUAL WITH THE OWNER OF THE APPLIANCE.

HOMEOWNER: RETAIN THIS MANUAL FOR FUTURE REFERENCE.

Message from Hestan:

Hestan's award-winning culinary innovations and purpose-built features reinvented the restaurant kitchen and redefined culinary experience in some of America's most acclaimed restaurants. Hestan now takes this performance from the back of the house and puts it front and center in yours. Thoughtfully designed and meticulously built, Hestan will serve you beautifully for years to come.

Hestan is the only residential brand born from the dreams and demands of professional chefs. From ranges to refrigeration, every detail is designed to deliver the performance and reliability expected in a restaurant – now available for you.

We appreciate you choosing Hestan, and we promise to deliver the very best to you.

Welcome to Hestan



TABLE OF CONTENTS

3	SAFETY PRECAUTIONS - BEFORE YOU BEGIN
6	MODEL NUMBERS
6	RATING LABEL
6	REGULATORY / CODE REQUIREMENTS
7	USING THE WARMING DRAWER
11	CLEANING AND MAINTENANCE
14	TROUBLESHOOTING
15	INSTALLATION
21	PARTS / SERVICE
21	LIMITED WARRANTY

WARNING

ELECTRICAL SHOCK HAZARD

Disconnect power before installing or servicing appliance. Be sure the knob is in the OFF position before plugging the appliance in. Failure to do so can result in death or electrical shock.



ELECTRICAL GROUNDING

This appliance must be grounded. Grounding reduces the risk of electric shock in the event of a short circuit.

ELECTRICAL SUPPLY

This appliance is designed to use a grounded receptacle, 120 VAC Single Phase, 60 Hz, with a current rating as shown in the model number listing on page 6.

Have the installer show you where the electric circuit breaker is located so you know how to shut off the power to this appliance.

SAFETY PRECAUTIONS - BEFORE YOU BEGIN

When properly cared for, your Hestan appliance will provide safe, reliable service for many years. When using this appliance, basic safety practices must be followed as outlined below.

IMPORTANT: Save these instructions for the local Utility Inspector's use.

INSTALLER: Please leave these Installation Instructions with the owner.

OWNER: Please retain these Installation Instructions for future reference.

This appliance is NOT designed for installation in manufactured (mobile) homes or recreational park trailers. Do NOT install this appliance outdoors.

SAFETY PRECAUTIONS - BEFORE YOU BEGIN (CONT.)

GENERAL APPLIANCE SAFETY PRECAUTIONS

Please read all instructions before using this appliance.

⚠️ WARNING

When properly cared for, your new Warming Drawer has been designed to be a safe, reliable appliance. Read all instructions carefully before using this it. These precautions will reduce the risk of burns, electric shock, fire, and injury to persons. When using kitchen appliances, basic safety precautions must be followed, including the following:

TECHNICAL SAFETY

Do not repair or replace any part of the warming drawer unless specifically recommended. Refer service to an authorized servicer.

Do not operate this appliance if it is not working properly or if it has been damaged, until an authorized servicer has examined it.

Install or locate this appliance only in accordance with the Installation Instructions. Do not cover or block any openings on this appliance.

Use this warming drawer only as described in this manual. If you have any questions, contact Hestan Customer care.

Use this appliance only for its intended use as described in this manual. Do not use corrosive chemicals, vapors, or nonfood products in this appliance. This type of warming drawer is specifically designed to heat or cook. It is not designed for industrial or laboratory use. The use of corrosive chemicals in heating or cleaning will damage the appliance.

CHILD SAFETY

⚠️ CAUTION

IT IS THE RESPONSIBILITY OF THE PARENTS OR GUARDIANS TO ENSURE CHILDREN ARE INSTRUCTED IN THE SAFE USE OF THIS APPLIANCE. Do not allow children to use this appliance without adult supervision. Do not allow children to play in or around the appliance, even when not in use. Items of interest to children should not be stored in or on the appliance or in cabinets above the appliance. Children climbing on the appliance could be seriously injured.

FOOD SAFETY

If food will be held for more than one hour, it must be held at 140° F [60° C] or above. (MED)

GENERAL SAFETY

When using electrical appliances, basic safety precautions should always be followed including the following:

- Do not touch hot surfaces. Use handles or knobs.
- To protect against electrical shock do not immerse cord or plug in water or other liquid.
- Close supervision is necessary when any appliance is used by or near children.
- Unplug from outlet or turn breaker off before cleaning. Allow to cool before removing or replacing parts.
- Do not operate any appliance with a damaged cord or plug or after the appliance malfunctions or has been damaged in any manner. Return appliance to the nearest authorized service facility for examination, repair, or adjustment.
- The use of accessory attachments not recommended by Hestan may cause injuries.
- Do not use outdoors.
- Do not let cord hang over edge of table or counter, or touch hot surfaces.

SAFETY PRECAUTIONS - BEFORE YOU BEGIN (CONT.)

EN

- Extreme caution must be used when moving anything containing hot oil or other hot liquids.
- Always turn the knob to OFF, then plug cord into the wall outlet. To disconnect, turn the knob to OFF, then remove plug from wall outlet.
- Do not use appliance for other than intended use.
- The inside of the appliance can reach temperatures of 195° F [90° C] depending on the selected temperature and the time of operation. If necessary use gloves to remove items from the drawer.
- Do not lean or sit on the warming drawer when opened, this could cause damage to the telescopic guide. The maximum carrying weight of the warming drawer is 80 lbs. (36 kg).
- Do not keep plastic containers or any flammable objects in the appliance. Such objects pose a risk of catching fire once the warming drawer is turned on.
- In the event that personal clothing or hair catches fire, DROP AND ROLL IMMEDIATELY to extinguish flames.

Save these Instructions.

SAFETY DURING CLEANING

Never use a vacuum cleaner. The vacuum could create pressure on the components causing a short circuit. The vacuum may also damage the surface and the components of the appliance, damages for which Hestan will not be liable.

Follow suggestions listed under "Cleaning and Maintenance" in this manual.

Never use sharp metal objects or abrasive scrubbing pads, as they can damage the surface of the appliance. If necessary, use standard non-abrasive utensils made of wood or plastic.

REPAIRS

Maintenance work and/or repairs must be performed exclusively by qualified personnel. Incorrect installation and maintenance can cause personal injury to the consumer for which Hestan will not be liable.

During the warranty period, the appliance may only be serviced by technicians authorized by Hestan or the warranty will be void.

Before beginning maintenance, installation, or repair work, disconnect the appliance from the electrical outlet. The appliance is disconnected only if either:

1. The circuit is turned off (Breaker OFF or the electrical fuse is removed), OR
2. The cord of the appliance is removed from the electrical outlet.

Hestan will not be liable for damage caused by a failure to follow current regulations or the use of non-original replacement parts.

MODEL NUMBERS

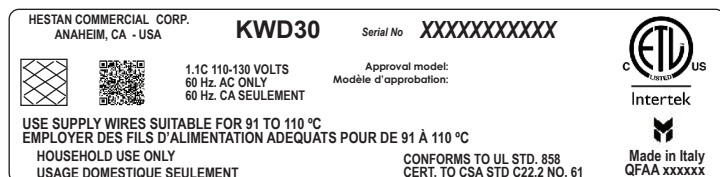
MODEL NO.	DESCRIPTION	CIRCUIT BREAKER REQ'D
KWD30	30" Warming Drawer	15 Amp

RATING LABEL

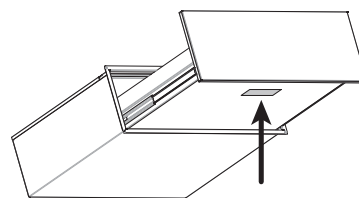
The rating label contains important information about your Hestan appliance such as the model number, serial number, and electrical rating.

The rating label is located on the bottom of the drawer.

If service is necessary, contact Hestan Customer Care with the model and serial number information shown on the label.



TYPICAL RATING LABEL



RATING LABEL

REGULATORY / CODE REQUIREMENTS

Installation of this cooking appliance must be made in accordance with local codes. In the absence of local codes, this unit should be installed in accordance with the National Electrical Code and local codes.

This appliance must be electrically grounded in accordance with local codes or in the absence of local codes with the National Electrical Code *ANSI/NFPA 70*, or Canadian Electrical code *CSA C22.1*.

USING THE WARMING DRAWER

OPENING THE SOFT CLOSING DRAWER

To open the drawer grasp the handle and pull the drawer.

CLOSING THE DRAWER

To close the drawer, gently push the drawer back, until the soft closing system engage.

BEFORE YOU BEGIN

Before using the appliance for the first time:

1. Make sure that all packaging materials have been removed from the unit.
 2. Gently clean it with a moist cloth and dry it completely as described under "Cleaning and Maintenance".
 3. Set the control knob to MAX, and let the warming drawer warm for at least two hours. Be sure that the kitchen is kept well ventilated during the heating period.
- The metal parts have been specially treated with a protective coating that can sometimes cause odors the first time the drawer is heated. These odors will quickly dissipate and should not be considered a defect of the appliance.

HEATING SYSTEM

The appliance is equipped with a hot air ventilating system. A fan distributes heat in the warming drawer to obtain a uniform temperature.

- The thermostat allows the user to control and set the appliance at the desired temperature.
- The circulation of the air heats the drawer in a rapid and uniform way.
- With the protective measures in place, it is not possible to accidentally touch the heating element or the fan.

USING THE WARMING DRAWER (CONT.)

CONTROLS AND INDICATORS

A single knob (Mode Selector) controls the warming drawer.

It has positions for OFF, Proofing, and Defrost, plus a continuous range from WARM to MAX.

This manual will use MED to designate a setting halfway between WARM and MAX.



The interior lights come on when the drawer is opened.

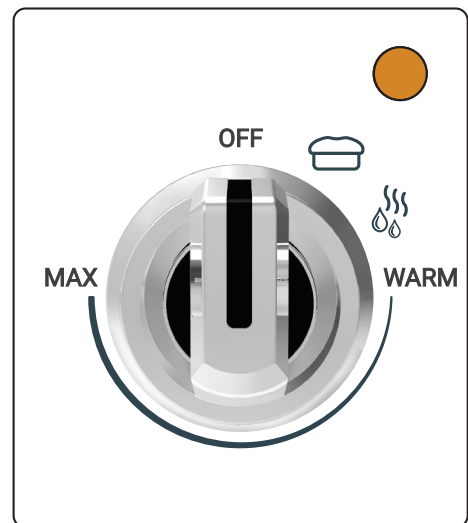
The panel indicator light comes on when the knob is in warming mode. (From WARM to MAX.)

OPERATION

Open the drawer. Turn the knob to set the desired function or temperature.

To turn off the appliance, turn the knob to the OFF position.

Mode Selector		Function
OFF	Off	None
	Proofing	77-95°F [25-35°C]
	Defrost	Fan, no heat
WARM > MAX	Warming	105 - 195°F [40-90°C]



HEATING TIME

The warming time is influenced by:

- Amount of dishes or food in the drawer
- The arrangement of items in the drawer
- The temperate set.

In general, the more dishes or items in the drawer and the higher the set temperature, the longer it will take to reach the set temperature.

DISH WARMING


- Dishes for 6 persons, set temperature to MIN or greater.
- Warming time 30-35 minutes

With experience you will learn the optimal temperature setting for your needs.

DEFROSTING

The defrost function only uses forced ventilation without any active heating element.

PROCEDURE

- Place items to defrost, turn the knob to the defrost setting. 


USING THE WARMING DRAWER (CONT.)

EN

PROOFING

The proofing function maintains the drawer temperature between 77 and 95° F [25-35° C].

PROCEDURE

1. Preheat the drawer for 5 minutes by turning the knob to proofing. 
2. Place the dough, wrapped in a slightly damp cloth, in the middle of the drawer.

FOOD WARMING

Food recommended for warming: meat, chicken, fish, sauces, vegetables, side dishes and soups.

- To avoid spills, do not overfill the dishes.
- Arrange the dishes in the drawer and close it carefully so that any liquids do not spill.
- It is advisable not to warm food for more than an hour to prevent it from losing nutritional value.
- If food will be held for more than one hour, it must be held at 140° F [60° C] or above. (MED)

Cover moist food and liquids with a lid or heat-resistant cling film. This will prevent the moisture from escaping, condensation from forming, and moisture settling on the outside of the dishes.

Do not cover roast or fried dishes which need to stay crisp. Keep these dishes hot at high temperatures.

PROCEDURE

1. Place the dishes in the drawer to preheat.
2. Turn the thermostat knob to desired setting and allow the drawer and dishes to warm for 10 minutes.
3. Put the food in the preheated dishes.
4. Close the drawer again.

SWITCHING OFF

Turn the knob to OFF. Take the dishes out of the drawer using a cloth or oven gloves.

SLOW COOKING

Slow cooking is ideal for cooking tender meat which needs to be medium rare or rare. This cooking method means the meat will always be pink inside. This does not, however, mean that the meat is raw or undercooked.

- This cooking method not only keeps the juices inside, but it also makes it easy to keep the meat hot.
- Suitable dishes to use: glass, porcelain or ceramic with a lid.

PROCEDURE

1. Preheat the warming drawer with the chosen dish to the maximum temperature for 15 minutes.
2. Heat some butter or oil in a pan. Brown the meat well for the time indicated in the table, then place it immediately in the preheated pan and cover with the lid.
3. Set the thermostat between MED/MAX (140/195° F) [60/90° C] for the time required to finish the cooking.

USING THE WARMING DRAWER (CONT.)

TIPS FOR SLOW COOKING

- Only use fresh meat in perfect condition.
- Trim off any excess fat.
- The pieces of meat do not necessarily have to be turned.
- Once cooked, the meat can be carved immediately; it does not have to rest.
- Meat that is slow cooked is not as hot as meat cooked in the traditional way, so it is advisable to put the plates in the warming drawer on the left-hand side for the last 20-30 minutes as well.
- Serve the meat with piping hot sauces.
- If you want to keep the meat hot after cooking, turn the knob to between WARM and MED (105-140° F [40-60° C]). Smaller pieces of meat can be kept hot for 45 minutes and larger pieces for two hours.

APPLICATIONS

Slow cooking is suitable for all tender cuts of beef, pork, veal, lamb, game and poultry. The initial browning times and the subsequent cooking times depend on the size of the slices of meat.

The browning time is for meat placed in a preheated pan with butter or oil.

DISH EXAMPLE	INITIAL BROWNING	LEVEL
Small slices of meat		
Strips	about 1 - 2 minutes	MED
Small steaks or medallions	about 1 - 2 minutes per side	MED
Medium size slices of meat		
Tenderloin	about 4 - 5 minutes per side	MAX
Lean roast	about 10 - 15 minutes per side	MAX
Large slices of meat		
Tenderloin (from 2 Lb [900g])	about 6 - 8 minutes per side	MAX
Roast beef	about 8 - 10 minutes per side	MAX
Vegetables	about 30 minutes per side	MED

COOKING TIMES: As a guideline, allow 4 to 5 hours for MAX and 8 to 10 hours for MED. Smaller quantities of food may require less time, while larger quantities may require more time.

CLEANING AND MAINTENANCE

DRAWER SLIDES

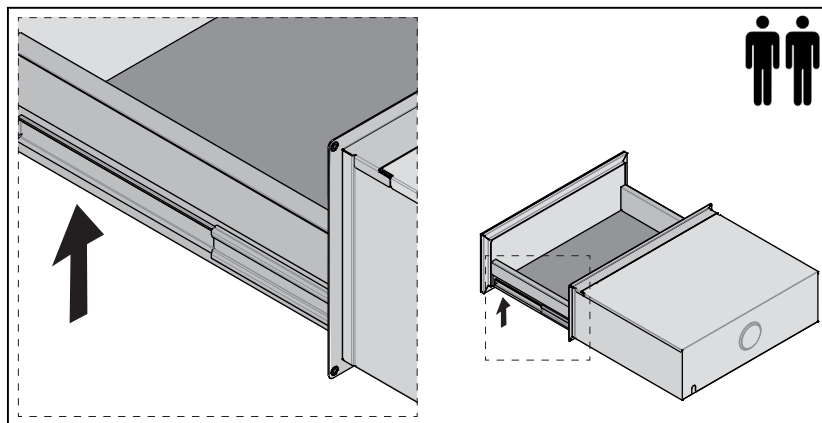
The drawer slides allow you to fully extend the drawer for cleaning. The drawer can be removed for cleaning or to replace the interior lights.

NOTE: Load capacity for the drawer is 80 lbs [36 kg].

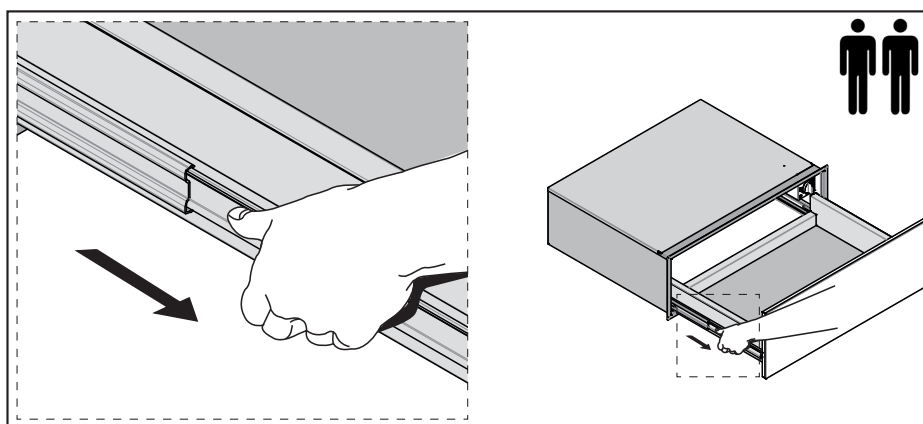
Remove all items from inside the warming drawer, and allow the warming drawer to cool completely before attempting to remove the drawer.

TO REMOVE:

1. Open drawer to its fully open position.
2. Using a Phillips screwdriver, remove 2 screws present under the left and right guides as shown.

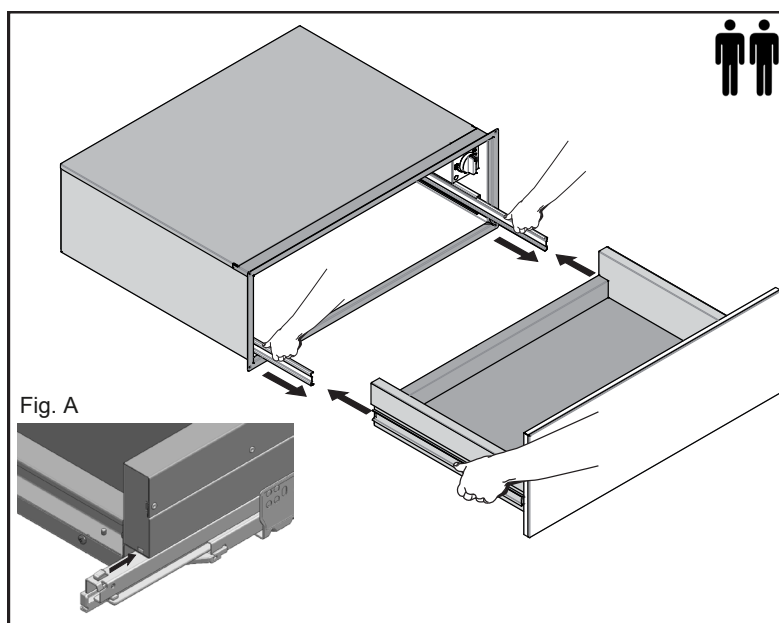


3. Hold the drawer by the sides (not by the front). Pull it slowly all the way out.



TO REPLACE:

1. Extend the two sliding guides manually from the inside of the drawer. Support the drawer, one person on one side, the other person on the other side. Place the drawer on the extended guides.
2. Holding the sliding guide steady with one hand, slide the drawer inwards until the rear pin engages (Fig. A)
3. Using a Phillips screwdriver, reinstall the left and right screws under the guides.
4. Push the drawer all the way. Gently open and close the drawer to ensure proper operation on the slides.



CLEANING AND MAINTENANCE (CONT)

CLEANING

The only recommended maintenance for the Warming Drawer is cleaning.

▲WARNING

Before you begin cleaning, turn the appliance OFF and disconnect the appliance from the outlet or shut off the breaker. Allow the appliance to cool before cleaning it.

NOTICE

Do not use harsh detergents or abrasive products and/or scrubbing pads and sponges and sharp objects as they can stain and damage the appearance of the appliance.

Never use a vacuum cleaner on the internal parts of the appliance.

FRONT SURFACE AND CONTROL PANEL

The use of a moist cloth is often sufficient when cleaning the appliance. If needed, add a few drops of detergent in the water. Dry the appliance with a dry cloth. The stainless steel front of the appliance can be cleaned with products specifically designed for stainless steel.

Such products prevent the formation of dirt on the surface of the drawer. Apply a minimal amount of the product on a soft cloth and apply it to the surface of the appliance.

If your Hestan appliance has colored panels, use warm soapy water ONLY. Rinse and dry thoroughly.

INSIDE SPACE

To clean the inside space use a moist cloth. In the event the appliance requires further cleaning add drops of detergent to the water. Dry the surface with a dry cloth. Make sure to avoid water draining into the ventilation holes. Only use the appliance after the drawer is completely dry.

REPLACING A WARMING DRAWER LIGHT BULB

The Warming Drawer is equipped with two halogen lights, located on the right side of the unit.

▲WARNING

ELECTRICAL SHOCK HAZARD - Make sure the power has been shut off to the Warming Drawer. The light socket is energized when the drawer is open. Failure to shut off the power when replacing a light bulb could result in electric shock or burns.

Make sure the glass lens is cool to the touch. Use care when handling the lens, it is fragile and can break if dropped.

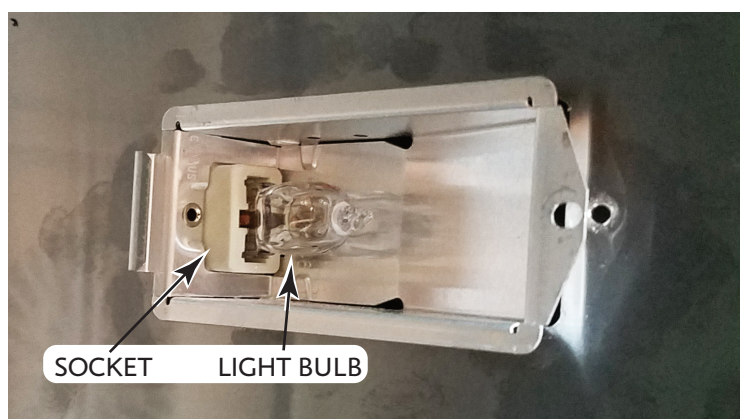
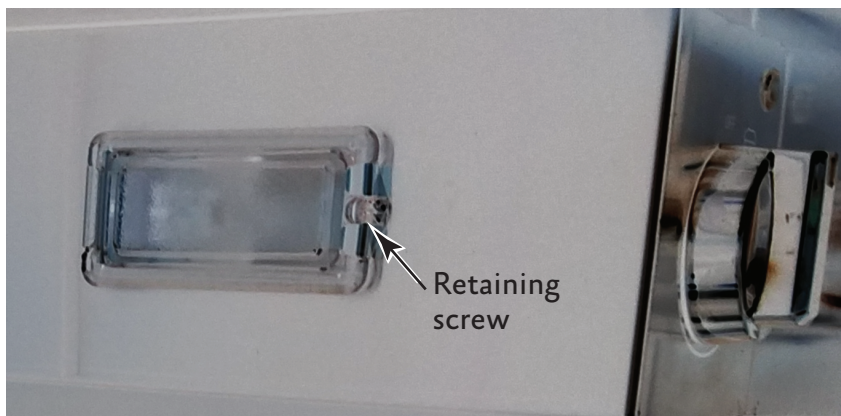
Use only 20 watt, 12 Volt, halogen "Bi-Pin" bulbs suitable for appliance use. This type of bulb may be available at hardware stores & home centers, or specialty lighting stores. Call Hestan Customer Care for more information.

CLEANING AND MAINTENANCE (CONT.)

EN

TO REPLACE A LIGHT BULB

1. MAKE SURE POWER IS OFF! Unplug the unit or turn off power at the breaker.
2. You may wish to remove the drawer before changing the bulb.
3. Remove the lens retaining screw. Use a small flat-blade screwdriver to carefully pry off the glass lens and set aside. Reach into the lamp housing and pull out the old light bulb as shown in the image below.
4. Before installation, it is very important to clean the new bulb carefully with a clean, soft cloth or tissue paper. Grease, fingerprints, or oils in your skin can leave a residue on the glass surface of the bulb which will create a hot-spot. The bulb will eventually crack at this hot-spot.
5. While still using a cloth or tissue paper, insert the new bulb in the lamp housing. Push the bulb fully into the socket.
6. Re-install the glass lens taking note of the cutaway in the glass which aligns with the bulb socket.
7. Restore the power and check if the new bulb is working.
8. If the drawer was removed, re-install it.



TROUBLESHOOTING

Repairs must only be performed by specialized and qualified personnel. Any repair work not performed by professional personnel may cause damage to the appliance for which Hestan will not be liable.

The following problems can be checked by the consumer without the assistance of the Service Department.

THE DRAWER IS NOT HOT ENOUGH

Make sure that:

- The appliance is turned on;
- The correct temperature has been set;
- The opening of the ventilation fan is not blocked by plates or other large obstructions;
- The drawers have had sufficient time to heat up.

THE DRAWER DOES NOT GET WARM

Is it turned on? Is it turned on to DEFROST by mistake?

Can you hear the fan running?

- If the fan is running then the heating system should be working, except in DEFROST mode.

If the fan does not run, open the drawer and see if the interior lights come on. If neither light comes on, check that the unit is plugged in and the breaker hasn't tripped.

- If the light comes on but the fan doesn't run, call Hestan Customer Care.

INSTALLATION

BEFORE YOU BEGIN

IMPORTANT: Save these instructions for the local electrical inspector use.

INSTALLER: Please leave this manual with owner for future reference.

OWNER: Please keep this manual for future reference.

▲WARNING

If the information in this manual is not followed exactly, a fire or explosion may result causing property damage, personal injury or death.

Please read these instructions **COMPLETELY AND CAREFULLY**. They will save you time and effort and help to ensure optimum drawer performance.

Be sure to observe all **CAUTIONS** and **WARNINGS**. These installation instructions are intended for use by a qualified installer.

- Assure that electrical installation is adequate and in conformance with National Electrical Code, ANSI/ NFPA 70 (latest edition), or Canadian Electrical Code, part 1 C22.1 (latest edition) and all local codes and ordinances. These shall be carefully followed at all times.

TOOLS YOU WILL NEED

The following tools are needed to install your new warming drawer:

- Tape measure and straightedge or ruler
- Pencil
- Phillips screwdriver
- Level
- Wire cutters and wire stripper
- Hand or saber saw
- 1" (2,5cm) Hole saw
- Drill and drill bit
- Safety gloves and goggles
- Volt meter (0-250VAC)

PACKAGING

Remove all tape and packaging before using the warming drawer.

Destroy the packaging after unpacking the drawer following the rules in force in your locale. Never allow children to play with packaging material.

INSTALLATION (CONT.)

POWER REQUIREMENTS

The warming drawer must be supplied with the proper voltage and frequency. The drawer is equipped with a 3-prong, grounding type plug which must be plugged into a grounded, 3-prong 120V receptacle. Do not under any circumstances cut or remove grounding prong from the appliance cord.

POWER	REQUIREMENT
Voltage	120 Volts, 60 Hz
Current	9.2 Amperes
Consumption	1100 Watts

CHOOSING DRAWER LOCATION

Carefully select the location where the warming drawer will be placed.

- It should be located for convenient use in the kitchen.
- Make sure that electrical power can be provided to the location selected. The receptacle should be accessible after the drawer is installed, so that the drawer can be unplugged and plugged in after installation. The cord is about 47" [120 cm] long.

PREPARATION

1. See drawings on following page for clearance and cutout dimensions
 2. The warming drawer support surface must be a minimum 3/4" (2cm) thick plywood platform. It must support 100 pounds.
 3. The platform must be solid, level and flush with the bottom of the cabinet cut out.
 4. The cabinet must be secure against tipping when the drawer is opened. Install anti-tip brackets as needed.
 5. For best performance results make sure the platform is level before placing the warming drawer. There is no way to level the warming drawer after it has been installed.
- If the installation is not level, the door may slide open or not seal tightly, allowing heat to escape.

▲ CAUTION

- Use extreme caution when moving or installing the drawer. It is very heavy.

NOTICE

- DO NOT LIFT THE WARMING DRAWER BY THE DRAWER HANDLE.
- Be very careful when moving or installing the warming drawer to avoid damage to the frame or damage to the cabinets.
- If installing the warming drawer below another product, refer to that product's literature for any installation requirements.

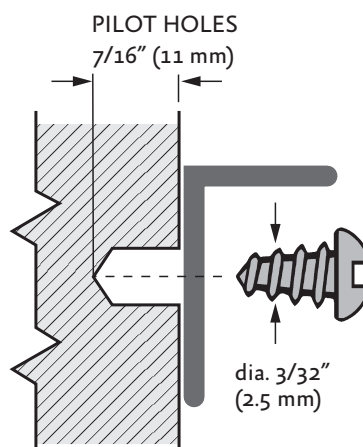
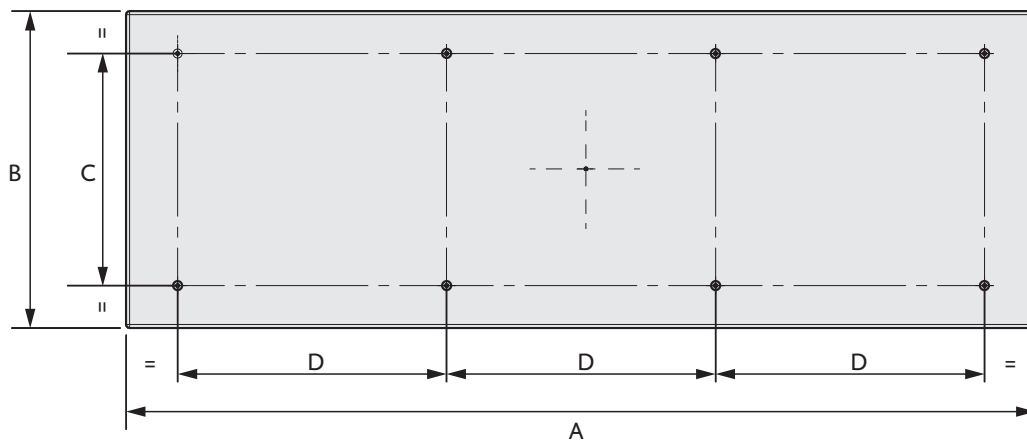
CUSTOM DRAWER FRONT (-OV MODELS)

CUSTOM PANEL REQUIREMENTS:

- Have a minimum thickness of $3/4"$ [19 mm].
- Have all edges finished.
- If using wood, the back must be sealed to prevent moisture damage.
- Be capable of withstanding temperatures above 158°F [70°C].

PREPARING CUSTOM DRAWER FRONT

1. Mark pilot holes on the back side of the panel according to the dimensions indicated in the following drawing.
2. Drill pilot holes with a $3/32"$ [2.5 mm] drill bit. Be careful not to drill all the way through the panel. Pilot holes should only be $7/16"$ [11 mm] deep.



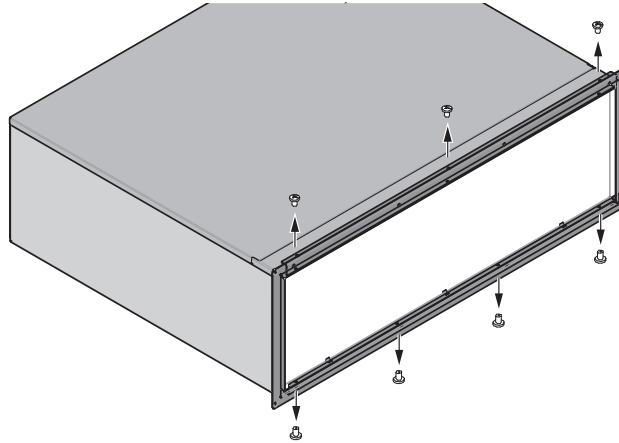
DIMENSIONS	INCHES	CM
A	$29 - 5/8"$ to $29 - 7/8"$	75.4 to 75.8
B	$10 - 3/8"$	26.4
C	$7 - 5/8"$	19.3
D	$8 - 3/16"$	22.4

INSTALLATION (CONT.)

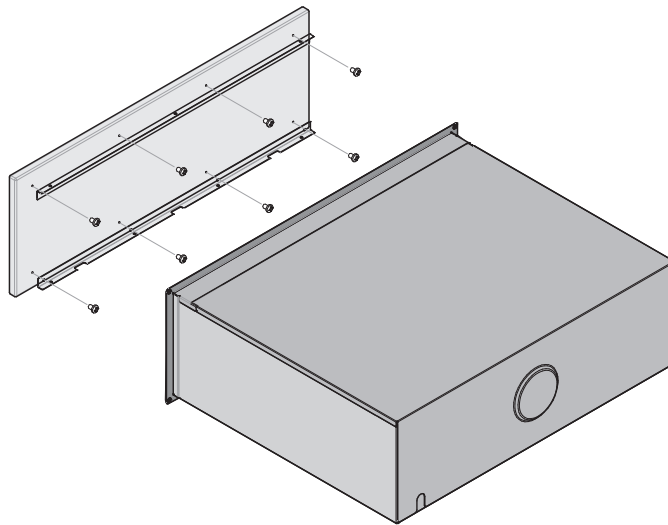
ATTACHING CUSTOM DRAWER FRONT

1. Remove the three screws from the top profile and four from the bottom (see figures A, B, C).
2. Fix the two brackets using eight screws 1/2" (12.7 mm) long and dia. 1/8" (3.5mm).
3. Attach custom panel front with the same screws.

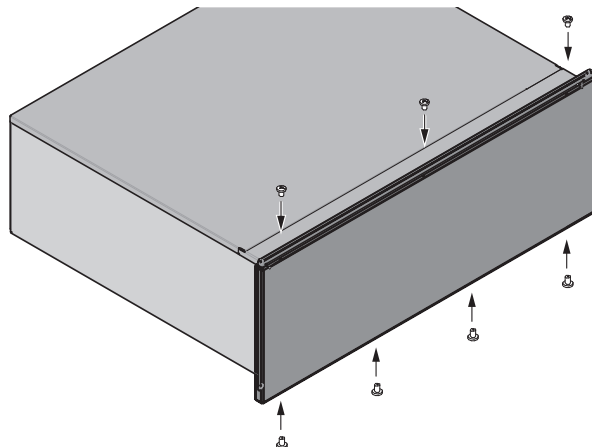
A



B



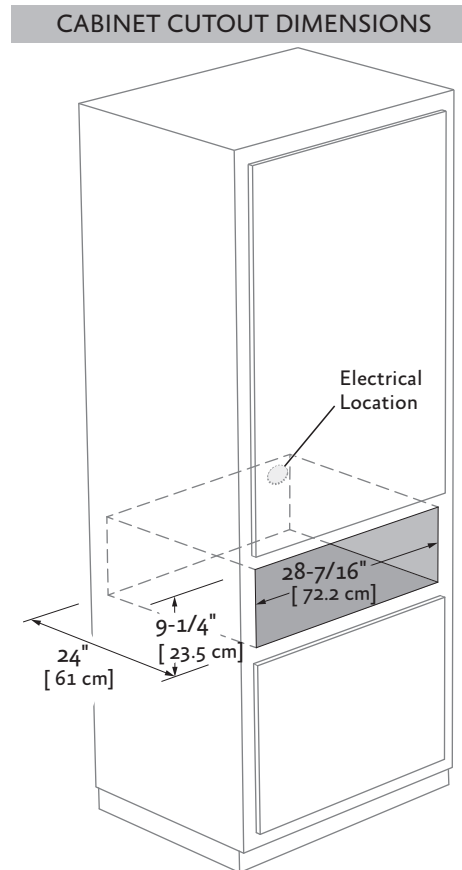
C



INSTALLATION (CONT.)

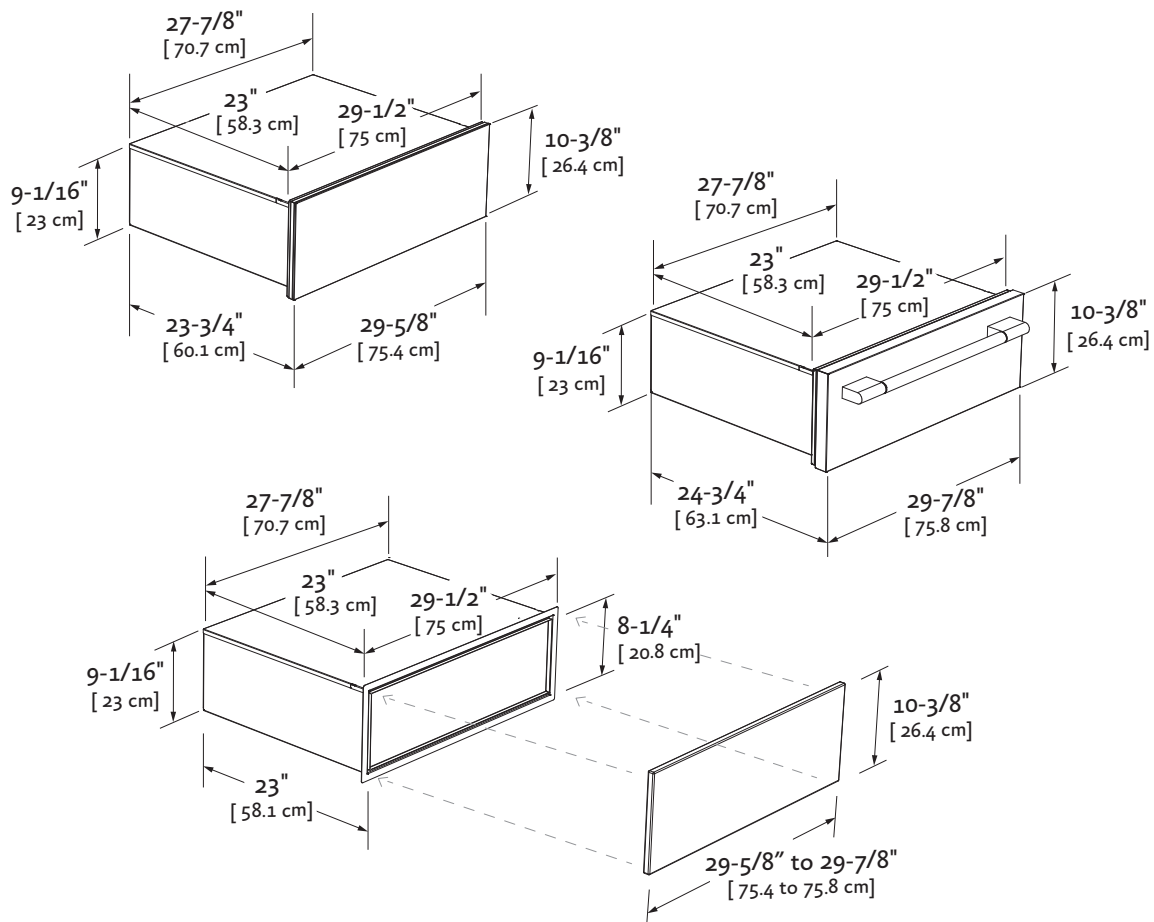
PLACING THE DRAWER

- Unit is heavy and requires at least two people or proper equipment to move.
 - Verify there is room to run the cord before placing the drawer without pinching it.
1. If the plug will not be accessible after placing the unit, turn power OFF at the service panel. Lock service panel to prevent power from being turned ON accidentally.
 2. Run the cord through to the socket.
 - If the plug will be accessible after placing the unit, then run the cord through but don't plug it in yet.
 - If the plug will not be accessible after placing the drawer, then plug it in.



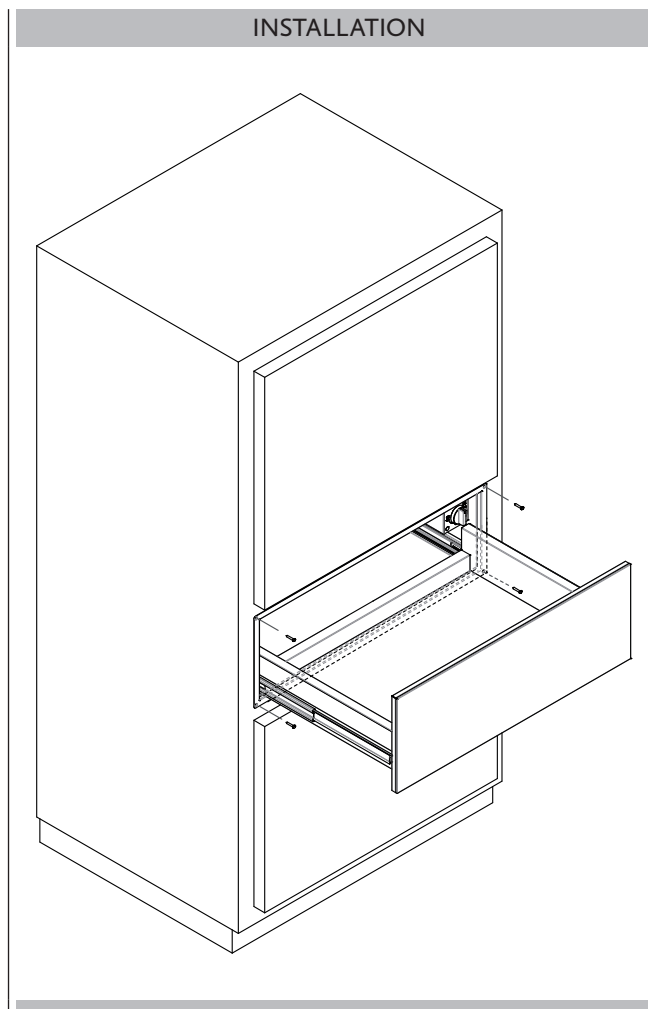
EN

OVERALL DIMENSIONS



INSTALLATION (CONT.)

3. Position the drawer so that it is directly centered and slide the warming drawer assembly into cutout until it is flush with cabinet.
4. Securely fasten drawer to cabinet using the screws provided.
 - Failure to secure the warming drawer could result in the drawer moving or tipping during use and causing damage to the drawer or cabinets or personal injury.
5. Turn the power back on or plug the drawer in.
6. Turn the warming drawer to MAX. Observe that the light comes on. Close the drawer for approximately 1 minute, then check for warmth.
7. Verify that the drawer is warming up, then turn the knob OFF.
 - Make sure that the customer knows how to disconnect the power to the warming drawer at the circuit breaker or fuse box in case of an emergency.



PARTS / SERVICE

SERVICE DATA RECORD

The location of the serial tag on the product can be seen when the drawer is opened. It is located on bottom of the drawer. See "RATING LABEL" on page 6.

Now is a good time to write this information in the space below provided. Keep your invoice for warranty validation.

Model Number _____

Serial Number _____

Date of Installation or Occupancy _____

EN

PARTS LIST

Please visit the Hestan website to access the parts list for your Hestan Indoor product:
www.hestanhome.com.

SERVICE

All warranty and non-warranty repairs should be performed by qualified service personnel. To locate an authorized service agent in your area, contact your Hestan dealer, local representative, or Hestan Customer Care. Before you call, please have the model number and serial number information ready.

Hestan Commercial Corporation
3375 E. La Palma Avenue
Anaheim, CA 92806
(888) 905-7463

LIMITED WARRANTY

WHAT THIS LIMITED WARRANTY COVERS:

Hestan Commercial Corporation ("HCC") warrants to the original consumer purchaser of a Hestan Indoor Cooking product (the "Product") from an HCC authorized dealer that the Product is free from defective materials or workmanship for a period of three (3) years from the date of original retail purchase or closing date for new construction, whichever period is longer ("Limited Warranty Period"). HCC agrees to repair or replace, at HCC's sole option, any part or component of the Product that fails due to defective materials or workmanship during the Limited Warranty Period. This Limited Warranty is not transferable and does not extend to anyone beyond the original consumer purchaser ("Purchaser"). This Limited Warranty is valid only on Products that are (i) purchased and received from an HCC authorized dealer, (ii) delivered after purchase to a consumer, and (iii) continuously thereafter remain located, in the fifty United States, the District of Columbia and Canada. Events that will void this warranty include purchasing or taking delivery in, or moving Products to any location outside of, the fifty United States, the District of Columbia and Canada. This Limited Warranty applies only to Products in non-commercial use and does not extend to Products used in commercial applications.

HOW TO OBTAIN WARRANTY SERVICE:

If the Product fails during the Limited Warranty Period for reasons covered by this Limited Warranty, the Purchaser must immediately contact the dealer from whom the Product was purchased or HCC at 888.905.7463.

LIMITED WARRANTY (CONT.)

Purchaser is responsible for making the Product reasonably accessible for service or for paying the cost to make the Product reasonably accessible for service. Service is to be provided during normal business hours of the authorized Hestan Commercial Service Provider. To the extent Purchaser requests service outside of the normal business hours of the authorized Hestan Commercial Service Provider, Purchaser will pay the difference between regular rates and overtime or premium rates. Purchaser is required to pay all travel costs for travel beyond 50 miles (one way) from the nearest authorized Hestan Commercial Service Provider.

EXTENSIONS TO THREE YEAR LIMITED WARRANTY PERIOD:

In addition to the Three-Year Limited Warranty, the following components have extended warranty coverage as specifically set forth below:

1. The Product's gas burners (excludes appearance), electric heating elements, blower motors (ventilation hoods), electronic control boards, magnetron tubes and induction generators (where applicable) are warranted to be free from defects in material and workmanship under normal non-commercial use and service for a period of five (5) years of the original Purchaser. This excludes surface corrosion, scratches, and discoloration which may occur during normal use and is limited to replacement of the defective part(s), with the Purchaser paying all other costs, including labor, shipping and handling, as applicable.

WHAT THIS LIMITED WARRANTY DOES NOT COVER:

This Limited Warranty does not cover and HCC will not be responsible for and will not pay for: damage to or defects in any Product not purchased from an HCC authorized dealer; color variations in color finishes or other cosmetic damage; failure or damage from abuse, misuse, accident, fire, natural disaster, commercial use of the Product, or loss of electrical power or gas supply to the Product; damage from alteration, improper installation, or improper operation of the Product; damage from improper or unauthorized repair or replacement of any part or component of the Product; damage from service by someone other than an authorized agent or representative of the Hestan Commercial Service Network; normal wear and tear; damage from exposure of the Product to a corrosive atmosphere containing chlorine, fluorine, or any other damaging chemicals; damage resulting from the failure to provide normal care and maintenance to the Product; damage HCC was not notified of within the Limited Warranty Period; and incidental and consequential damages caused by any defective material or workmanship.

ARBITRATION:

This Limited Warranty is governed by the Federal Arbitration Act. Any dispute between Purchaser and HCC regarding or related to the Product or to this Limited Warranty shall be resolved by binding arbitration only on an individual basis with Purchaser. Arbitration will be conducted by the American Arbitration Association ("AAA") in accordance with its Consumer Arbitration Rules or by JAMS. The arbitration hearing shall be before one arbitrator appointed by the AAA or JAMS. The arbitrator shall not conduct class arbitration and Purchaser shall not bring any claims against HCC in a representative capacity on behalf of others.

LIMITATION OF LIABILITY:

This Limited Warranty is the final, complete and exclusive agreement between HCC and Purchaser regarding the Product.

THERE ARE NO EXPRESS WARRANTIES OTHER THAN THOSE LISTED AND DESCRIBED ABOVE. NO WARRANTIES WHETHER EXPRESS OR IMPLIED, INCLUDING, BUT NOT LIMITED TO, ANY IMPLIED WARRANTIES OF MERCHANTABILITY OR FITNESS FOR A PARTICULAR PURPOSE SHALL APPLY AFTER THE LIMITED WARRANTY PERIOD STATED ABOVE. NO OTHER EXPRESS WARRANTY OR GUARANTY GIVEN BY ANY PERSON, FIRM OR CORPORATION WITH RESPECT TO THIS PRODUCT SHALL BE BINDING ON HCC. HCC ASSUMES NO RESPONSIBILITY THAT THE PRODUCT WILL BE FIT FOR ANY PARTICULAR PURPOSE, EXCEPT AS OTHERWISE PROVIDED BY APPLICABLE LAW. HCC SHALL NOT BE LIABLE FOR LOSS OF REVENUE OR PROFITS, FAILURE TO REALIZE SAVINGS OR OTHER

LIMITED WARRANTY (CONT.)

EN

BENEFITS, OR ANY OTHER SPECIAL, INCIDENTAL OR CONSEQUENTIAL DAMAGES CAUSED BY THE USE, MISUSE OR INABILITY TO USE THE PRODUCT, REGARDLESS OF THE LEGAL THEORY ON WHICH THE CLAIM IS BASED, AND EVEN IF HCC HAS BEEN ADVISED OF THE POSSIBILITY OF SUCH DAMAGES. NO RECOVERY OF ANY KIND AGAINST HCC SHALL BE GREATER IN AMOUNT THAN THE PURCHASE PRICE OF THE PRODUCT. WITHOUT LIMITING THE FOREGOING, YOU ASSUME ALL RISK AND LIABILITY FOR LOSS, DAMAGE OR INJURY TO YOU AND YOUR PROPERTY AND TO OTHERS AND THEIR PROPERTY ARISING OUT OF THE USE, MISUSE OR INABILITY TO USE THE PRODUCT NOT CAUSED DIRECTLY BY THE NEGLIGENCE OF HCC. THIS LIMITED WARRANTY STATES YOUR EXCLUSIVE REMEDY.

No oral or written representation or commitment given by anyone, including but not limited to, an employee representative or agent of HCC will create a warranty or in any way increase the scope of this express Limited Three Year Warranty. If there is any inconsistency between this Limited Warranty and any other agreement or statement included with or relating to the Product, this Limited Warranty shall govern. If any provision of this Limited Warranty is found invalid or unenforceable, it shall be deemed modified to the minimum extent necessary to make it enforceable and the remainder of the Limited Warranty shall remain valid and enforceable according to its terms.

INTERACTION OF LAWS WITH THIS LIMITED WARRANTY:

Some states, provinces or territories may not allow limitations on how long an implied warranty lasts or the exclusion or limitation of incidental or consequential damages, so the above limitations or exclusions may not apply to you. Some states, provinces or territories may provide for additional warranty rights and remedies, and the provisions contained in this Limited Warranty are not intended to limit, modify, take away from, disclaim or exclude any mandatory warranty requirements provided by states, provinces or territories, including certain implied warranties. This warranty gives you specific legal rights, and you may also have other rights which vary depending on location.

Any questions about this Limited Warranty may be directed to:
Hestan Commercial Corporation at (888) 905-7463

⚠️ AVERTISSEMENT

LE NON-RESPECT À LA LETTRE DE CES INSTRUCTIONS PEUT CAUSER UN INCENDIE OU UNE EXPLOSION, QUI POURRAIT ENTRAÎNER DES DOMMAGES MATÉRIELS, DES BLESSURES OU LA MORT.

Ne pas entreposer ou utiliser d'essence ou tout autre liquide ou gaz inflammable à proximité de cet appareil ou de tout autre appareil.

L'installation et le service doivent être effectués par un installateur qualifié ou une agence de service.

NE PAS RÉPARER, REMPLACER OU ENLEVER TOUTE PIÈCE DE L'APPAREIL, SAUF SI SPÉCIFIQUEMENT RECOMMANDÉ DANS LES MANUELS. UNE INSTALLATION, UN ENTRETIEN OU UNE MAINTENANCE INCORRECTS PEUT ENTRAÎNER DES BLESSURES OU DES DOMMAGES MATÉRIELS. CONSULTEZ CE MANUEL DE L'ORIENTATION. TOUS LES AUTRES SERVICES DEVRAIENT ÊTRE EFFECTUÉS PAR UN TECHNICIEN DE SERVICE HESTAN AUTORISÉ.

LISEZ ATTENTIVEMENT ET COMPLÈTEMENT CES INSTRUCTIONS AVANT D'INSTALLER OU D'UTILISER VOTRE APPAREIL AFIN DE RÉDUIRE LES RISQUES D'INCENDIE, DE BRÛLURE OU D'AUTRES BLESSURES. CONSERVER CE MANUEL POUR RÉFÉRENCE FUTURE.

DÉFINITIONS DE SÉCURITÉ

⚠️ AVERTISSEMENT

CECI INDIQUE QUE L'INOBSERVATION DE CET AVERTISSEMENT PEUT ENTRAÎNER DES BLESSURES GRAVES VOIRE MORTELLES.

⚠️ PRÉCAUTION

CECI INDIQUE QUE L'INOBSERVATION DE CET AVERTISSEMENT PEUT ENTRAÎNER DES BLESSURES MINEURES OU MODÉRÉES.

AVIS

CECI INDIQUE QUE L'INOBSERVATION DE CET AVERTISSEMENT PEUT ENTRAÎNER DES DOMMAGES DE L'APPAREIL OU DES DÉGÂTS MATÉRIELS.

INSTALLATEUR: LAISSER CE MANUEL AVEC LE PROPRIÉTAIRE DE L'APPAREIL.

PROPRIÉTAIRE: CONSERVEZ CE MANUEL POUR RÉFÉRENCE FUTURE.

Un message de Hestan

Les innovations culinaires primées de Hestan et les caractéristiques spéciales ont réinventé la cuisine du restaurant et redéfini l'expérience culinaire dans certains des restaurants les plus acclamés de l'Amérique. Hestan prend maintenant cette performance à l'arrière de la maison et la met au centre de la vôtre. Pensé et méticuleusement conçu, Hestan vous servira magnifiquement pour les années à venir.

Hestan est la seule marque résidentielle née des rêves et des exigences des chefs professionnels. De la cuisinière à la réfrigération, chaque détail est conçu pour offrir la performance et la fiabilité attendues dans un restaurant - maintenant disponible pour vous.

Nous apprécions que vous ayez choisi Hestan, et nous nous engageons à vous offrir le meilleur.

Bienvenue à Hestan



TABLE DES MATIÈRES

3	PRÉCAUTIONS DE SÉCURITÉ - AVANT DE COMMENCER
6	NUMÉROS DE MODÈLE
6	PLAQUE SIGNALÉTIQUE
6	RESPECT DE LA RÉGLEMENTATION ET DES CODES EN VIGUEUR
7	INSTRUCTIONS POUR L'UTILISATEUR:
11	NETTOYAGE ET ENTRETIEN
14	DÉPANNAGE
15	INSTALLATION
21	PIÈCES ET SERVICE
21	GARANTIE LIMITÉE

FR

⚠️ AVERTISSEMENT

RISQUE DE CHOC ÉLECTRIQUE

Débranchez l'alimentation électrique avant d'installer ou d'entretenir l'unité. Avant de mettre l'appareil sous tension, assurez-vous que la commande est en position «OFF». Ne pas le faire peut entraîner la mort ou un choc électrique.



MISE À LA TERRE ÉLECTRIQUE

Cet appareil doit être mis à la terre. La mise à la terre réduit le risque de choc électrique en cas de court-circuit. Lisez la section BRANCHEMENTS ÉLECTRIQUES de ce manuel pour des instructions complètes.

ALIMENTATION ÉLECTRIQUE

Cet appareil est conçu pour utiliser une prise de terre mise à la terre, monophasée 120 VAC, 60 Hz, avec un courant nominal indiqué dans la liste des numéros de modèle, à la page 6.

Demandez à l'installateur de vous montrer où se trouve le disjoncteur électrique pour savoir comment couper l'alimentation de cet appareil.

PRÉCAUTIONS DE SÉCURITÉ - AVANT DE COMMENCER

S'il est bien entretenu, cet appareil Hestan procurera un service sûr et fiable pendant de nombreuses années. Lorsqu'on se sert de cet appareil, les pratiques élémentaires suivantes en matière de sécurité doivent être adoptées.

IMPORTANT: Conservez ces instructions pour l'utilisation locale des services publics.

INSTALLATEUR: Veuillez laisser ces instructions d'installation avec le propriétaire.

PROPRIÉTAIRE: Veuillez conserver ces instructions d'installation pour référence future.

Cette appareil est conçue pour un usage domestique uniquement. Elle ne l'est PAS pour être installée dans des maisons préfabriquées (mobiles) ou dans des véhicules récréatifs. N'installez PAS cette appareil à l'extérieur.

PRÉCAUTIONS DE SÉCURITÉ - AVANT DE COMMENCER (SUITE)

MESURES GÉNÉRALES DE SÉCURITÉ DE L'APPAREILUR

Veillez lire toutes les instructions avant d'utiliser cet appareil.



Lorsqu'il est correctement entretenu, votre nouveau Tiroir Chauffant a été conçu pour être un appareil fiable et sûr. Lisez attentivement toutes les instructions avant de l'utiliser. Ces précautions réduiront les risques de brûlures, d'électrocution, d'incendie et de blessures. Lorsque vous utilisez des appareils de cuisine, vous devez respecter certaines règles de sécurité élémentaires, notamment:

SECURITE TECHNIQUE

Ne réparez ou ne remplacez aucune pièce du tiroir chauffant, à moins que cela ne soit spécifiquement recommandé. Faites appel à un réparateur agréé.

N'utilisez pas cet appareil s'il ne fonctionne pas correctement ou s'il a été endommagé, jusqu'à ce qu'un réparateur agréé l'ait examiné.

Installez ou installez cet appareil uniquement conformément aux instructions d'installation. Ne couvrez ni ne bloquez aucune ouverture de cet appareil.

Utilisez ce tiroir chauffe-plat uniquement comme décrit dans ce manuel. Si vous avez des questions, contactez le service clientèle de Hestan.

Utilisez cet appareil uniquement pour l'usage auquel il est destiné, tel que décrit dans ce manuel. N'utilisez pas de produits chimiques corrosifs, de vapeurs ou de produits non alimentaires dans cet appareil. Ce type de tiroir chauffant est spécialement conçu pour chauffer ou cuire. Il n'est pas conçu pour une utilisation industrielle ou de laboratoire. L'utilisation de produits chimiques corrosifs lors du chauffage ou du nettoyage endommagera l'appareil.

LA SÉCURITÉ DES ENFANTS



IL EST DE LA RESPONSABILITÉ DES PARENTS OU DES TUTEURS DE S'ASSURER QUE LES ENFANTS SONT INFORMÉS DE L'UTILISATION SÉCURITAIRE DE CET APPAREIL. Ne laissez pas les enfants utiliser cet appareil sans la surveillance d'un adulte. Ne laissez pas les enfants jouer dans ou autour de l'appareil, même lorsqu'ils ne sont pas utilisés. Les articles qui intéressent les enfants ne doivent pas être rangés dans ou sur l'appareil ou dans les armoires au-dessus de l'appareil. Les enfants qui grimpent sur l'appareil pourraient être gravement blessés.

LA SÉCURITÉ ALIMENTAIRE

Si les aliments sont conservés plus d'une heure, ils doivent être conservés à 140° F [60° C] ou plus. (MED)

CONSIGNES IMPORTANTES

Quand on utilise des appareils électriques, il convient de toujours respecter des consignes de sécurité de base, y compris les suivantes:

- Ne touchez pas les surfaces chaudes. Utilisez des poignées ou des boutons.
- Pour vous protéger contre les chocs électriques, n'immergez pas le cordon ni la fiche dans de l'eau ou tout autre liquide.
- Une surveillance étroite est nécessaire lorsqu'un appareil est utilisé par ou à proximité d'enfants.
- Débranchez l'appareil ou éteignez le disjoncteur avant le nettoyage. Laissez refroidir avant de retirer ou de remplacer des pièces.

PRÉCAUTIONS DE SÉCURITÉ - AVANT DE COMMENCER (SUITE)

FR

- Ne faites pas fonctionner un appareil avec un cordon ou une fiche endommagé ou après un dysfonctionnement ou une détérioration quelconque de l'appareil. Renvoyez l'appareil à un centre de service agréé le plus proche pour un examen, une réparation ou un réglage.
- L'utilisation d'accessoires non recommandés par Hestan peut causer des blessures.
- Ne pas utiliser à l'extérieur.
- Ne laissez pas le cordon pendre du bord de la table ou du comptoir, ni toucher des surfaces chaudes.
- Une extrême prudence doit être utilisée lors du déplacement de tout objet contenant de l'huile chaude ou d'autres liquides chauds.
- Tournez toujours le bouton sur OFF, puis branchez le cordon dans la prise murale. Pour déconnecter, tournez le bouton sur OFF, puis retirez la fiche de la prise murale.
- Ne pas utiliser cet appareil pour un usage autre que celui auquel il est destiné.
- L'intérieur de l'appareil peut atteindre des températures de 195° F [90° C] en fonction de la température sélectionnée et de la durée de fonctionnement. Si nécessaire, utilisez des gants pour retirer les objets du tiroir.
- Ne vous penchez pas et ne vous asseyez pas sur le tiroir-réchaud lors de son ouverture, cela pourrait endommager le guide télescopique. Le poids maximal du tiroir chauffe-plat est de 80 lb. (36 kg).
- Ne conservez pas de récipients en plastique ni d'objets inflammables dans l'appareil. De tels objets risquent de prendre feu une fois que le tiroir chauffant est allumé.
- Dans le cas où des vêtements ou des cheveux personnels prennent feu, LENTEZ-VOUS DE ROULER IMMÉDIATEMENT pour éteindre les flammes.

Conservez ces instructions.

SÉCURITÉ PENDANT LE NETTOYAGE

N'utilisez jamais un aspirateur. Le vide pourrait créer une pression sur les composants provoquant un court-circuit. Le vide peut également endommager la surface et les composants de l'appareil: dommages pour lesquels Hestan ne sera pas responsable.

Suivez les suggestions énumérées sous «Nettoyage et entretien» à la page 12.

N'utilisez jamais d'objets métalliques tranchants ou de tampons abrasifs, car ils pourraient endommager la surface de l'appareil. Si nécessaire, utilisez des ustensiles standard non abrasifs en bois ou en plastique.

RÉPARATIONS

Les travaux de maintenance et / ou les réparations doivent être effectués exclusivement par du personnel qualifié. Une installation et un entretien incorrects peuvent causer des dommages aux consommateurs pour lesquels Hestan ne pourra être tenu responsable.

Pendant la période de garantie, seuls des techniciens agréés par Hestan peuvent réparer l'appareil, sinon la garantie sera annulée.

Avant de commencer les travaux de maintenance, d'installation ou de réparation, débranchez l'appareil de la prise électrique. L'apppliance n'est déconnectée que si:

1. Le circuit est désactivé (le disjoncteur est sur arrêt ou le fusible est retiré), OU
2. Le cordon de l'appareil est débranché de la prise électrique.

Hestan ne pourra être tenu responsable des dommages résultant du non-respect de la réglementation en vigueur ou de l'utilisation de pièces de rechange non originales.

NUMÉROS DE MODÈLE

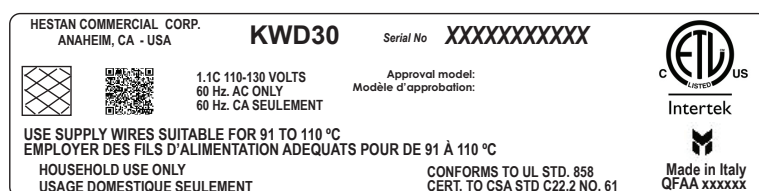
NO. DE MODÈLE	DESCRIPTION	DISJONCTEUR REQUIS
KWD30	Tiroir Chauffant 30 po	15 Ampères

PLAQUE SIGNALÉTIQUE

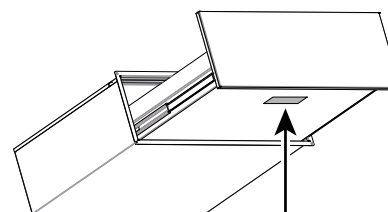
La plaque signalétique donne des informations importantes sur cet appareil Hestan, telles que le numéro de modèle, le numéro de série et les caractéristiques électriques.

La plaque signalétique se trouve sur le bas du tiroir.

Si un entretien est nécessaire, contactez le service clientèle de Hestan avec les informations sur le modèle et le numéro de série figurant sur la plaque.



PLAQUE SIGNALÉTIQUE TYPIQUE



PLAQUE SIGNALÉTIQUE

RESPECT DE LA RÉGLEMENTATION ET DES CODES EN VIGUEUR

L'installation de cet appareil de cuisson doit être effectuée conformément aux codes locaux. En l'absence de tels codes, installer cet appareil conformément au National Electrical Code et les codes locaux.

Tous les composants électriques doivent être mis à la terre conformément aux codes locaux ou, en l'absence de tels codes, au National Electrical Code ANSI/NFPA 70 ou au Code national de l'électricité du Canada CSA C22.1.

OUVERTURE DU TIROIR À FERMETURE DOUCE

Pour ouvrir le tiroir, saisissez la poignée et tirez le tiroir.

FERMER LE TIROIR

Pour fermer le tiroir, poussez-le doucement vers l'arrière jusqu'à ce que le système de fermeture en douceur s'enclenche.

AVANT L'UTILISATION

Avant d'utiliser l'appareil pour la première fois:

1. Assurez-vous que tous les matériaux d'emballage ont été retirés de l'appareil.
2. Nettoyez-le doucement avec un chiffon humide et séchez-le complètement, comme indiqué dans la section «Nettoyage et entretien».
3. Réglez le bouton de commande sur MAX et laissez le tiroir chauffant au chaud pendant au moins deux heures. Assurez-vous que la cuisine est bien ventilée pendant la période de chauffage.
4. Les parties métalliques ont été spécialement traitées avec un revêtement protecteur qui peut parfois créer des odeurs lors du chauffage initial du tiroir. Ces odeurs vont rapidement se dissiper et ne doivent pas être considérées comme un défaut de l'appareil.

SYSTÈME DE CHAUFFAGE

L'appareil est muni d'un système de ventilation à air chaud. Un ventilateur distribue de façon optimale la chaleur de la résistance de réchauffage à l'intérieur du tiroir.

- Le thermostat permet de déterminer et de contrôler la température souhaitée pour la vaisselle introduite.
- La circulation de l'air réchauffe la vaisselle de manière uniforme et rapide.
- Une grille de protection empêche le contact accidentel avec les résistances de réchauffage et le ventilateur.

INSTRUCTIONS POUR L'UTILISATEUR (SUITE)

COMMANDES ET INDICATEURS

Un seul bouton (sélecteur de mode) contrôle le tiroir chauffant.

Il a des positions pour OFF, Proofing, et Defrost, plus une gamme continue de WARM à MAX.

Ce manuel utilisera MED pour désigner un réglage à mi-chemin entre WARM et MAX.



Les lumières intérieures s'allument lorsque le tiroir est ouvert.

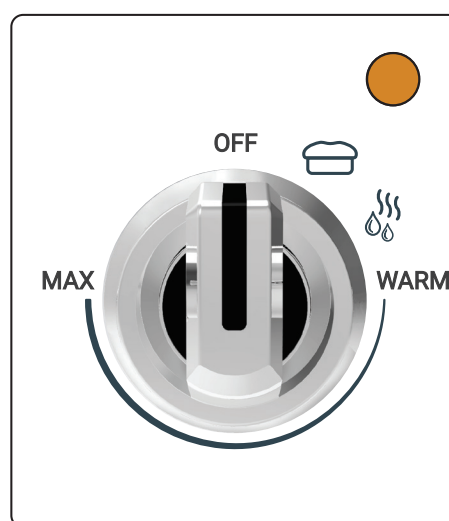
Le voyant du panneau s'allume lorsque le bouton est en mode de chauffage. (De CHAUD à MAX.)

OPÉRATION

Ouvrez le tiroir. Tournez le bouton pour régler la fonction ou la température souhaitée.

Pour éteindre l'appareil, tournez le bouton en position OFF.

Position du bouton	Fonction	Fonction
OFF	Off	Ancun
	Levage	77-95°F [25-35°C]
	Décongeler	Ventilateur sans chaleur
WARM > MAX	Chauffage	105 - 195°F [40-90°C]



TEMPS DE CHAUFFAGE

Le temps de chauffage est influencé par:

- Quantité de plats ou d'aliments dans le tiroir
- La disposition des objets dans le tiroir
- L'ensemble tempéré.

En général, plus il y a de plats ou d'éléments dans le tiroir et plus la température réglée est élevée, plus il faudra longtemps pour atteindre la température définie.

CHAUFFE-PLAT

- Plats pour 6 personnes, réglez la température sur MIN ou plus.
- Temps de réchauffement 30-35 minutes

Avec l'expérience, vous apprendrez le réglage de température optimal pour vos besoins.

DÉCONGÉLATION

La fonction de décongélation utilise uniquement la ventilation forcée sans élément chauffant actif.


PROCÉDURE DE DÉCONGÉLATION:

- Placez les articles à décongeler, tournez le bouton jusqu'au réglage de décongélation. 

LEVAGE

La fonction de levage maintient la température du tiroir entre 77 et 95° F [25 et 35° C].

PROCÉDURE DE LEVAGE:

1. Préchauffer le tiroir pendant 5 minutes en tournant le bouton sur la configuration de levage. 
2. Placer la pâte au centre du tiroir après l'avoir enveloppé dans un torchon légèrement humide.

RÉCHAUFFEMENT DES ALIMENTS

Aliments conseillés pour être laissés au chaud: viande, poulet, poisson, sauces, légumes, garnitures et soupes.

- Pour éviter que les aliments ne débordent dans le tiroir, ne pas remplir excessivement les plats.
- Disposer les plats dans le tiroir et fermer ce dernier avec précaution afin d'éviter que les éventuels liquides ne sortent.
- Il est conseillé de ne pas réchauffer les aliments pour des intervalles de temps supérieurs à une heure afin d'éviter que ceux-ci ne perdent leurs substances nutritives.
- Si la nourriture doit être conservée pendant plus d'une heure, elle doit être maintenue à 140° F [60° C] ou plus. (MED)

Couvrir les aliments humides et liquides avec un couvercle ou une pellicule résistant aux températures élevées. De cette manière, on évite que l'humidité ne s'échappe, que de la condensation ne se forme et dépose de l'humidité hors des plats.

Ne pas couvrir les aliments rôtis ou les frites qui doivent rester croustillants. Tenir ces plats au chaud avec des températures élevées.

PROCÉDURE

1. Placez les plats dans le tiroir à préchauffer.
2. Tournez le bouton du thermostat sur la position désirée et laissez le tiroir et les plats se réchauffer pendant 10 minutes..
3. Mettre la nourriture dans les plats préchauffés.
4. Refermer le tiroir.

DÉSACTIVATION

Mettre le bouton en position OFF. Extraire les plats du tiroir à l'aide d'un chiffon ou de maniques.

CUISSON LENTE

La fonction de cuisson lente est idéale pour cuire la viande tendre qui doit s'avérer peu cuite ou saignant. Grâce à ce mode de cuisson, la viande est encore rose à l'intérieur. Cependant, ceci ne signifie pas que la viande est crue ou peu cuite.

En plus de retenir les jus dans la viande, cette fonction permet de maintenir la viande chaude plus facilement.

Vaisselle adaptée à l'utilisation: en verre, porcelaine ou céramique avec couvercle.

PROCÉDURE

1. Préchauffer le tiroir chauffe-plat avec la vaisselle choisie préalablement, au niveau maximum pendant 15 minutes.
2. Faire chauffer du beurre ou de l'huile dans un plat. Laisser la viande rissoler pendant le temps indiqué dans le tableau puis remettre le tout immédiatement dans la casserole préchauffée en recouvrant avec le couvercle.
3. Positionner le thermostat entre MED/MAX (140/195° F [60/90° C]) pour la durée nécessaire à terminer la cuisson.

CONSEILS POUR LA CUISSON LENTE

- Utiliser uniquement de la viande fraîche et en parfaite condition.
- Éliminer, avec soin, les zones de graisse.
- Les parties charnues ne doivent pas être nécessairement retournées.
- Une fois la cuisson terminée, il est possible de couper la viande; il n'est pas nécessaire de la laisser reposer.
- Avec la cuisson lente, la viande n'est pas chaude comme la viande cuite traditionnellement; il est conseillé, pour les 20-30 dernières minutes de cuisson de remettre aussi les assiettes dans le tiroir chauffe-plat, dans la partie gauche.
- Servir la viande avec des sauces très chaudes.
- Si on souhaite maintenir la viande chaude une fois que la cuisson est terminée, mettre le bouton du thermostat entre 105/140° F [40° C et 60° C]. Les petites pièces de viande peuvent être maintenues chaudes pendant 45 minutes et les plus grandes pendant deux heures.

APPLICATIONS

La fonction de cuisson lente est adaptée à toutes les pièces tendres de bœuf, porc, veau, agneau, gibier et volaille. Le temps initial pour faire rissoler la viande et la suite de la cuisson dépendent des dimensions des tranches de viande.

Les paramètres de temps se réfèrent au cas où la viande est reposée dans un plat avec du beurre et de l'huile déjà chaude.

EXEMPLE DE PLAT	RISSOLAGE INITIAL	NIVEAU
Petites tranches de viande		
Languettes de viande	environ 1 - 2 minutes	MED
Petits steaks ou médaillons	Environ 1 - 2 minutes par côté	MED
Tranches de viande de dimensions moyennes		
Filet	Environ 4 - 5 minutes par côté	MAX
Rôti maigre	Environ 10 - 15 minutes par côté	MAX
Grandes tranches de viande		
Filet (à partir de 900 g)	Environ 6 - 8 minutes par côté	MAX
Roastbeef (1,1-2kg)	Environ 8 - 10 minutes par côté	MAX
Légumes	Environ 30 minutes par côté	MED

TEMPS DE CUISSON: À titre indicatif, prévoyez 4 à 5 heures pour MAX et 8 à 10 heures pour MED. Des petites quantités de nourriture peuvent nécessiter moins de temps alors que des quantités importantes peuvent nécessiter plus de temps.

NETTOYAGE ET ENTRETIEN

GLISSIÈRES DU TIROIR

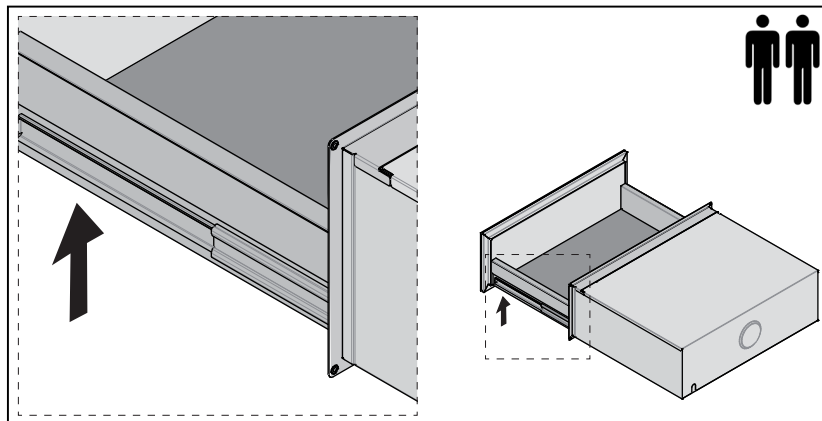
Les glissières du tiroir permettent d'ouvrir complètement le tiroir pour un nettoyage plus facile. Si nécessaire, il est possible de retirer le tiroir.

REMARQUE: La capacité de charge du tiroir est de 80 lbs [36 kg].

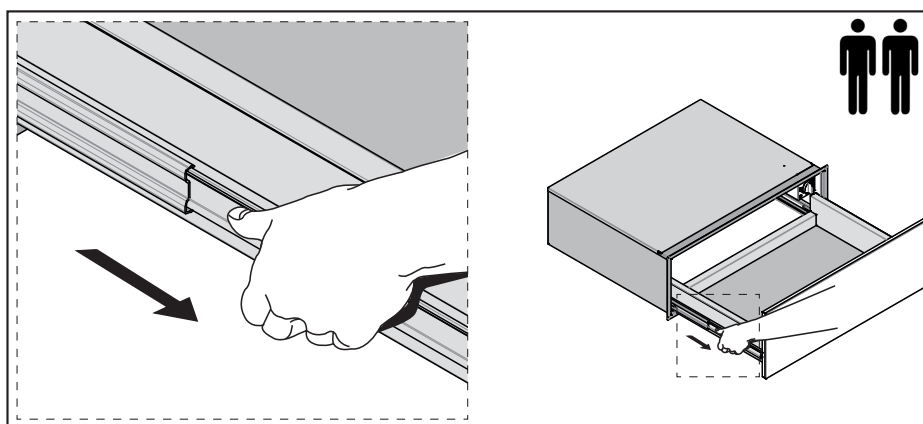
Retirer tous les éléments de l'intérieur du tiroir chauffant et laisser le tiroir chauffant refroidir complètement avant de tenter de retirer le tiroir.

POUR LE RETIRER:

1. Ouvrir le tiroir dans sa position entièrement ouverte.
2. À l'aide d'un tournevis cruciforme, retirez les 2 vis présentes sous les guides gauche et droit, comme illustré.

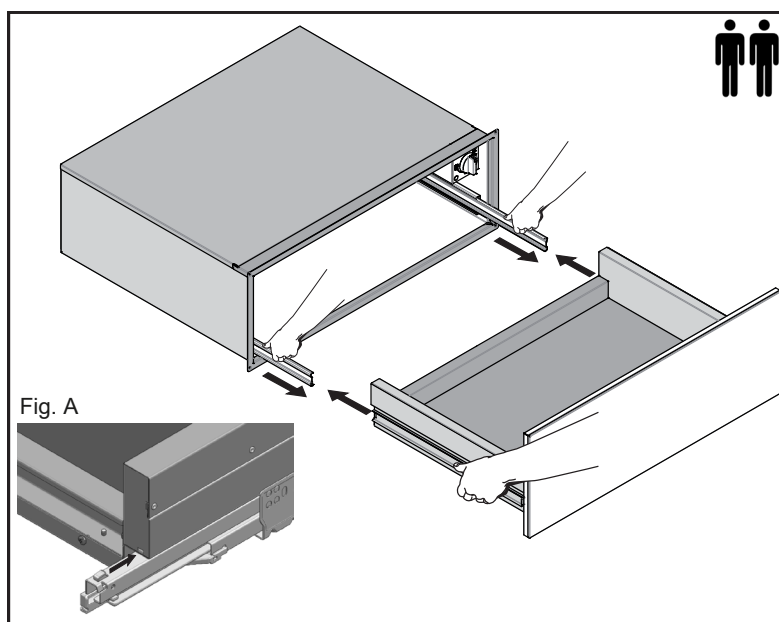


3. Tenez le tiroir par les côtés (pas par l'avant). Tirez-le lentement vers l'extérieur.



POUR REMPLACER:

1. Déployez manuellement les deux guides coulissants depuis l'intérieur du tiroir. Soutenez le tiroir, une personne d'un côté, l'autre personne de l'autre. Placez le tiroir sur les guides étendus.
2. En tenant fermement le guide coulissant d'une main, faites glisser le tiroir vers l'intérieur jusqu'à ce que la goupille arrière s'enclenche (Fig. A)
3. À l'aide d'un tournevis cruciforme, réinstallez les vis gauche et droite sous les guides.
4. Poussez le tiroir à fond. Ouvrez et fermez doucement le tiroir pour assurer un fonctionnement correct sur les glissières.



NETTOYAGE ET ENTRETIEN

NETTOYAGE

Le nettoyage représente généralement le seul type d'entretien nécessaire.



Avant de commencer le nettoyage, débranchez l'appareil du réseau. Retirez la fiche des prises ou désactivez le circuit d'alimentation de l'appareil.

AVIS

N'utilisez pas de détergents agressifs, de produits abrasifs, d'éponges abrasives ni d'objets pointus, car ils risquent de tacher l'appareil.

N'utilisez jamais d'aspirateur sur les parties internes de l'appareil.

SURFACE AVANT ET PANNEAU DE COMMANDE

L'utilisation d'un chiffon humide suffit souvent lors du nettoyage de l'appareil. Si nécessaire, ajoutez quelques gouttes de détergent dans l'eau. Sécher l'appareil avec un chiffon sec. La façade en acier inoxydable de l'appareil peut être nettoyée avec des produits spécialement conçus pour l'acier inoxydable.

Si votre appareil Hestan a des panneaux colorés, utilisez **UNIQUEMENT** de l'eau chaude savonneuse. Rincez et séchez soigneusement.

De tels produits empêchent la formation de saleté à la surface du tiroir. Appliquez une quantité minimale du produit sur un support souple et appliquez-le sur la surface de l'appareil.

Si votre appareil Hestan a des panneaux de couleur, utilisez **UNIQUEMENT** de l'eau chaude savonneuse. Rincez et séchez soigneusement.

ESPACE INTÉRIEUR

Pour nettoyer l'espace intérieur, utilisez un chiffon humide. Si l'appareil nécessite un nettoyage supplémentaire, ajoutez des gouttes de détergent dans l'eau. Sécher la surface avec un chiffon sec. Veillez à ce que l'eau ne s'écoule pas par les orifices de ventilation. N'utilisez l'appareil que lorsque le tiroir est complètement sec.

REMPACEMENT D'UNE AMPOULE DE TIROIR CHAUFFANT

Le tiroir chauffant est équipé de deux lampes halogènes, situées sur le côté droit de l'unité.



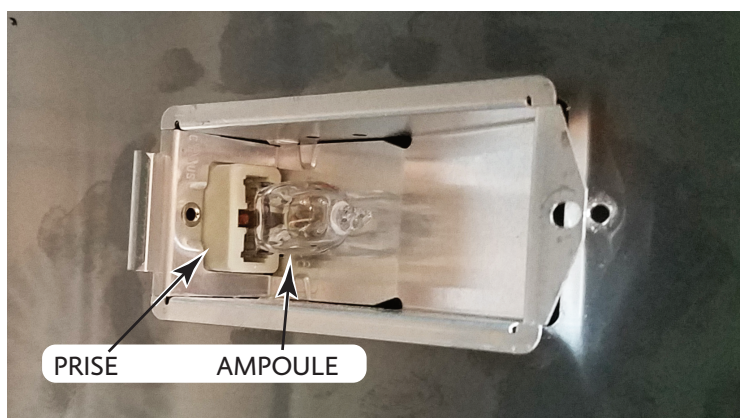
RISQUE DE CHOC ÉLECTRIQUE - Assurez-vous que le tiroir chauffant a été mis hors tension. La douille est sous tension lorsque le tiroir est ouvert. Si vous ne mettez pas l'ampoule hors tension, vous risquez de vous électrocuter ou de vous brûler.

Assurez-vous que la lentille en verre est frais au toucher. Soyez prudent lorsque vous manipulez le verre, il est fragile et peut se briser s'il tombe.

N'utilisez que des ampoules halogènes bipolaires de 12 watts de 20 watts pouvant être utilisées dans un appareil. Vous pouvez trouver ce type d'ampoule peut être disponible dans les quincailleries et les magasins de bricolage, ou dans les magasins d'éclairage spécialisés. Pour plus de détails, adressez-vous au service clientèle de Hestan.

POUR REMPLACER UNE AMPOULE

1. ASSUREZ-VOUS QUE LE COURANT EST COUPÉ! Débranchez l'appareil ou mettez le disjoncteur hors tension..
2. Vous voudrez peut-être retirer le tiroir avant de changer l'ampoule.
3. Utilisez un petit tournevis à lame plate pour soulever délicatement la lentille en verre et mettre ce dernier de côté. Plongez la main dans le boîtier de la lampe et retirez l'ancienne ampoule comme indiqué sur l'image ci-dessous.
4. Avant l'installation, il est très important de nettoyer l'ampoule neuve avec un chiffon doux propre ou du papier de soie. La graisse, les empreintes digitales ou les sécrétions cutanées peuvent laisser un résidu sur la surface en verre de l'ampoule, ce qui créera un point chaud. L'ampoule finira par se fêler à ce point chaud.
5. Tout en continuant à utiliser un chiffon ou un mouchoir en papier, insérez la nouvelle ampoule dans le boîtier de la lampe. Poussez l'ampoule complètement dans la douille.
6. Remettre la lentille en verre en place en tenant compte de la découpeure dans le verre qui s'aligne sur la douille de l'ampoule.
7. Rétablissez l'alimentation et vérifiez que l'ampoule neuve fonctionne.
8. Si vous retirez le tiroir, installez-le maintenant.



Les réparations ne doivent être effectuées que par un personnel spécialisé et qualifié. Tout travail de réparation non effectué par du personnel professionnel peut causer des dommages à l'appareil pour lesquels Hestan ne sera pas responsable.

Les problèmes suivants peuvent être vérifiés par le consommateur sans l'assistance du service après-vente.

SI LE TIROIR N'EST PAS ASSEZ CHAUD

Sois sûr que:

- L'appareil est allumé;
- La température correcte a été réglée;
- L'ouverture du ventilateur n'est pas obstruée par des plaques ou d'autres gros obstacles;
- Les tiroirs ont eu le temps de chauffer.

LE TIROIR NE CHAUFFE PAS

Est-il allumé? Est-il activé pour le DÉCONGELER par erreur?

Pouvez-vous entendre le ventilateur en marche?

- Si le ventilateur est en marche, le système de chauffage devrait fonctionner, sauf en mode DÉCONGELER.

Si le ventilateur ne fonctionne pas, ouvrez le tiroir et vérifiez si les lumières intérieures s'allument. Si aucun voyant ne s'allume, vérifiez que l'appareil est branché et que le disjoncteur ne s'est pas déclenché.

- Si le voyant s'allume mais que le ventilateur ne fonctionne pas, appelez le service clientèle de Hestan.

AVANT DE COMMENCER

IMPORTANT: Conservez ces instructions pour l'utilisation de l'inspecteur électrique local.

INSTALLATEUR: S'il vous plaît laissez ce manuel avec le propriétaire pour référence future.

PROPRIÉTAIRE: S'il vous plaît garder ce manuel pour référence future.

⚠️ AVERTISSEMENT

Si les informations contenues dans ce manuel ne sont pas suivies à la lettre, un incendie ou une explosion pourrait en résulter, causant des dommages matériels, des blessures corporelles ou la mort.

Veuillez lire ces instructions **ENTIÈREMENT ET ATTENTIVEMENT**. Ils vous feront gagner du temps et des efforts et vous aideront à optimiser les performances du tiroir.

Assurez-vous de respecter toutes les **PRÉCAUTIONS** et les **AVERTISSEMENTS**. Ces instructions d'installation sont destinées à être utilisées par un installateur qualifié.

- Assurez-vous que l'installation électrique est adéquate et conforme au Code national de l'électricité, ANSI / NFPA 70 - dernière édition, ou au Code canadien de l'électricité, partie 1 C22.1 (dernière édition) et tous les codes et ordonnances locaux. Ceux-ci doivent être soigneusement suivis à tout moment.

OUTILS NECESSAIRES

Vous aurez besoin des outils suivants pour installer votre nouveau appareil:

- Mètre enrouleur et règle à tracer ou règle
- Crayon
- Tournevis Philips
- Niveau
- Pince coupante de fils électriques et des dénude - fil
- Scie sauteuse ou scie à main
- Scie - cloche de 1 po [2,5 cm]
- Mèche et perceuse
- Gants et lunettes de sécurité
- Voltmètre [0-250VAC]

EMBALLAGE

Enlevez tout le ruban et l'emballage avant d'utiliser le tiroir chauffant.

Détruisez l'emballage après avoir déballé le tiroir en suivant les règles en vigueur dans votre région. Ne laissez jamais les enfants jouer avec du matériel d'emballage.

EXIGENCES ÉLECTRIQUES

Le tiroir est équipé d'une fiche de mise à la terre à 3 broches qui doit être branchée à une prise de courant 120V à 3 broches mise à la terre. En aucun cas, ne coupez ou ne retirez la broche de mise à la terre du cordon de l'appareil.

PUISSANCE	REQUISE
Tension	120 Volt, 60 Hz
Courant	9,2 Amperes
Consommation	1100 Watts

CHOIX DE L'EMPLACEMENT DU TIROIR

Choisissez soigneusement l'emplacement où sera placé le tiroir chauffant.

- Il devrait être situé pour une utilisation pratique dans la cuisine.
- Assurez-vous que l'alimentation électrique peut être fournie à l'emplacement sélectionné. Le réceptacle doit être accessible après l'installation du tiroir pour pouvoir le débrancher et le brancher après l'installation. Le cordon mesure environ 47 po [120 cm] de long.

PRÉPARATION

1. Voir les dessins à la page suivante pour les dimensions de dégagement et de découpe
 2. La surface de support du tiroir chauffant doit être une plate-forme en contreplaqué d'au moins 3/4 po [2 cm]. Il doit supporter 100 livres [45 kg].
 3. La plate-forme doit être solide, à niveau et au même niveau que le fond de la découpe de l'armoire.
 4. L'armoire doit être sécurisée contre le basculement lorsque le tiroir est ouvert. Installez les supports anti-basculement au besoin.
 5. Pour de meilleurs résultats, assurez-vous que la plate-forme est à niveau avant de placer le tiroir chauffant. Il n'y a aucun moyen de mettre le tiroir chauffant de niveau après l'avoir installé.
- Si l'installation n'est pas de niveau, la porte peut s'ouvrir ou ne pas se fermer hermétiquement, laissant ainsi échapper la chaleur.

PRÉCAUTION

- Soyez extrêmement prudent lorsque vous déplacez ou installez le tiroir. C'est très lourd.

AVIS

- NE SOULEVEZ PAS LE TIROIR DE RÉCHAUFFEMENT PAR LA POIGNÉE DU TIROIR.
- Faites très attention lorsque vous déplacez ou installez le tiroir chauffant pour éviter d'endommager le cadre ou les armoires.
- Si vous installez le tiroir chauffant sous un autre produit, reportez-vous à la documentation de ce produit pour connaître les exigences d'installation.

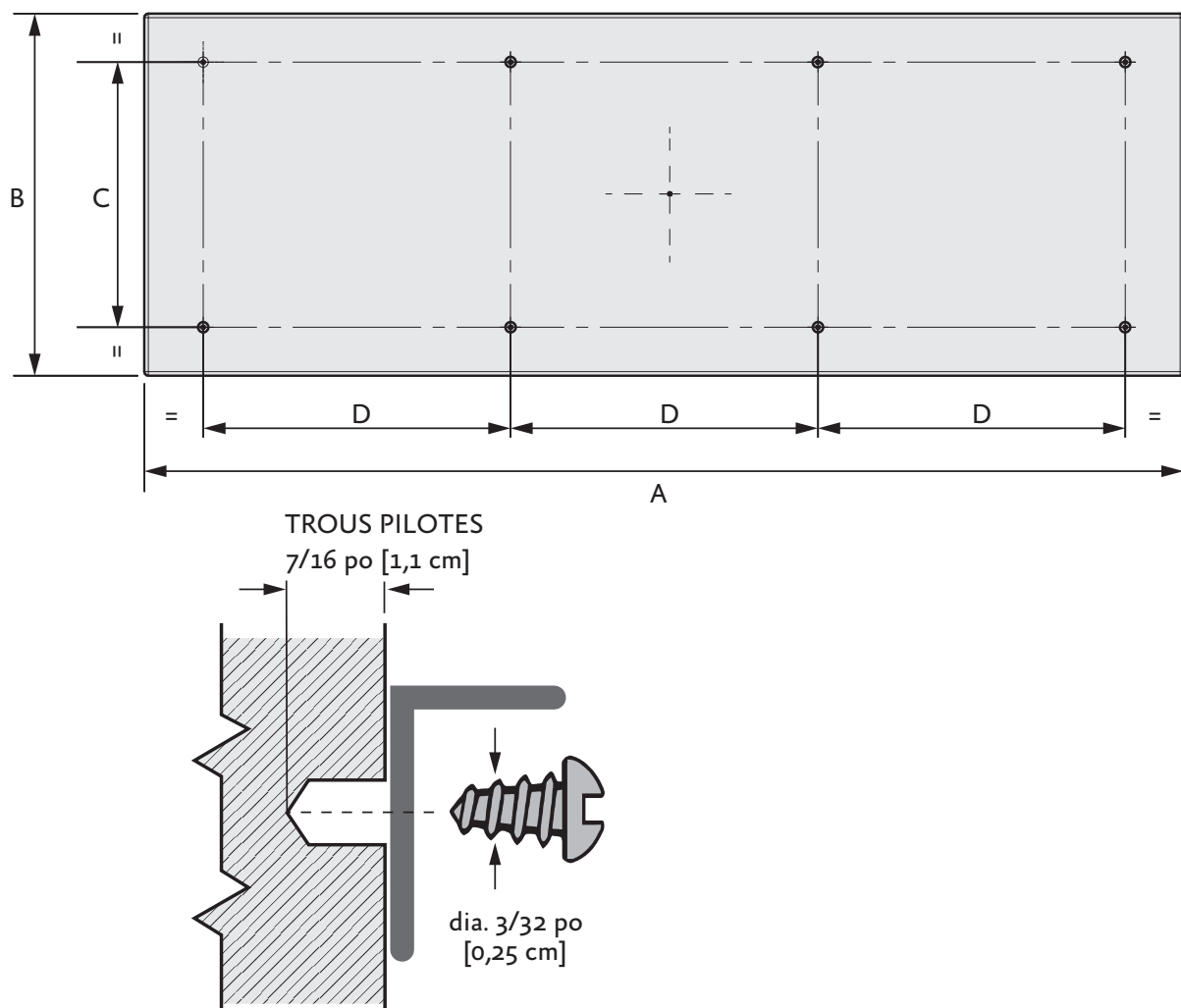
FAÇADE DE TIROIR PERSONNALISÉE (MODÈLES -OV)

SPÉCIFICATIONS DU PANNEAU PERSONNALISÉ:

- Avoir une épaisseur minimale de 3/4 po [19 mm].
- Avoir tous les bords finis.
- Si vous utilisez du bois, le dos doit être scellé pour éviter les dommages dus à l'humidité.
- Être capable de résister à des températures supérieures à 158° F [70° C].

PRÉPARATION DE LA FAÇADE DE TIROIR PERSONNALISÉE

1. Marquez les avant-trous à l'arrière du panneau en respectant les dimensions indiquées dans le dessin suivant.
2. Percez des avant-trous avec un foret de 3/32 po [0,25 cm]. Veillez à ne pas percer complètement le panneau. Les trous pilotes ne doivent avoir qu'une profondeur de 7/16 po [1,1 cm].

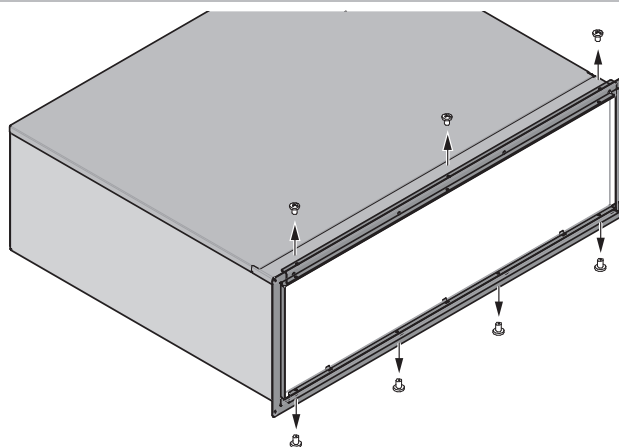


DIMENSIONS	POUCES	CM
A	29 - 5/8 po à 29 - 7/8 po	75,4 à 75,8
B	10 - 3/8 po	26,4
C	7 - 5/8 po	19,3
D	8 - 3/16 po	22,4

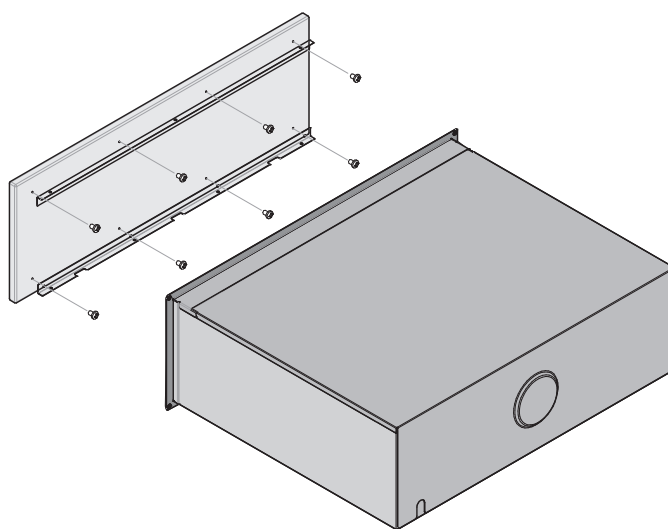
FIXATION DE LA FAÇADE DU TIROIR PERSONNALISÉ

1. Retirez les trois vis du profilé supérieur et les quatre vis du bas (voir figures A, B et C).
2. Fixez les deux supports à l'aide de huit vis de 12,7 mm (1/2 po) de long et diam. 1/8" (3,5mm).
3. Fixez le panneau avant personnalisé avec les mêmes vis.

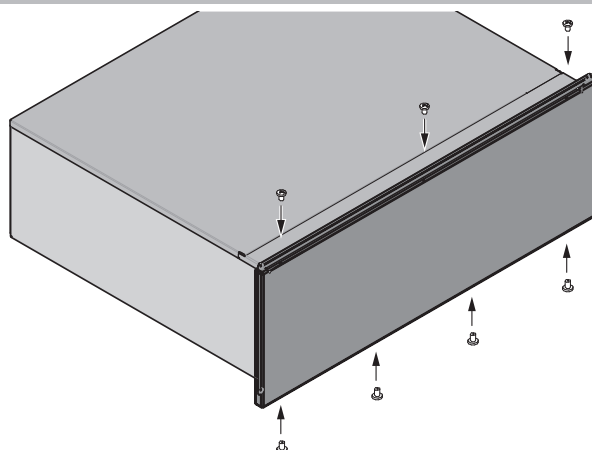
A



B



C

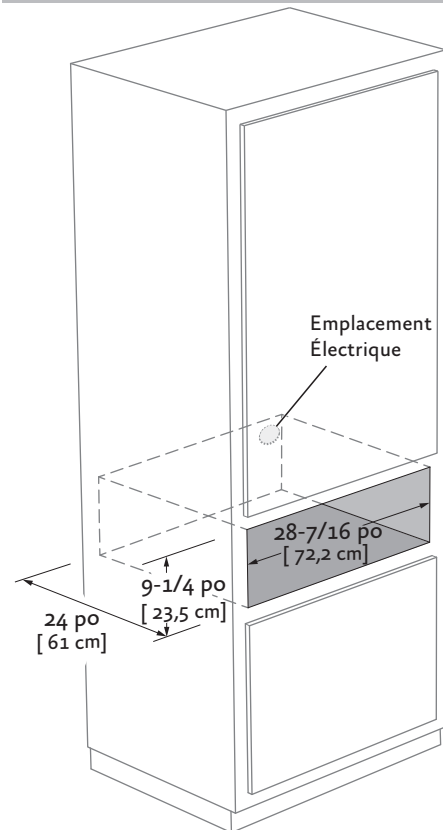


INSTALLATION (SUITE)

PLACER LE TIROIR

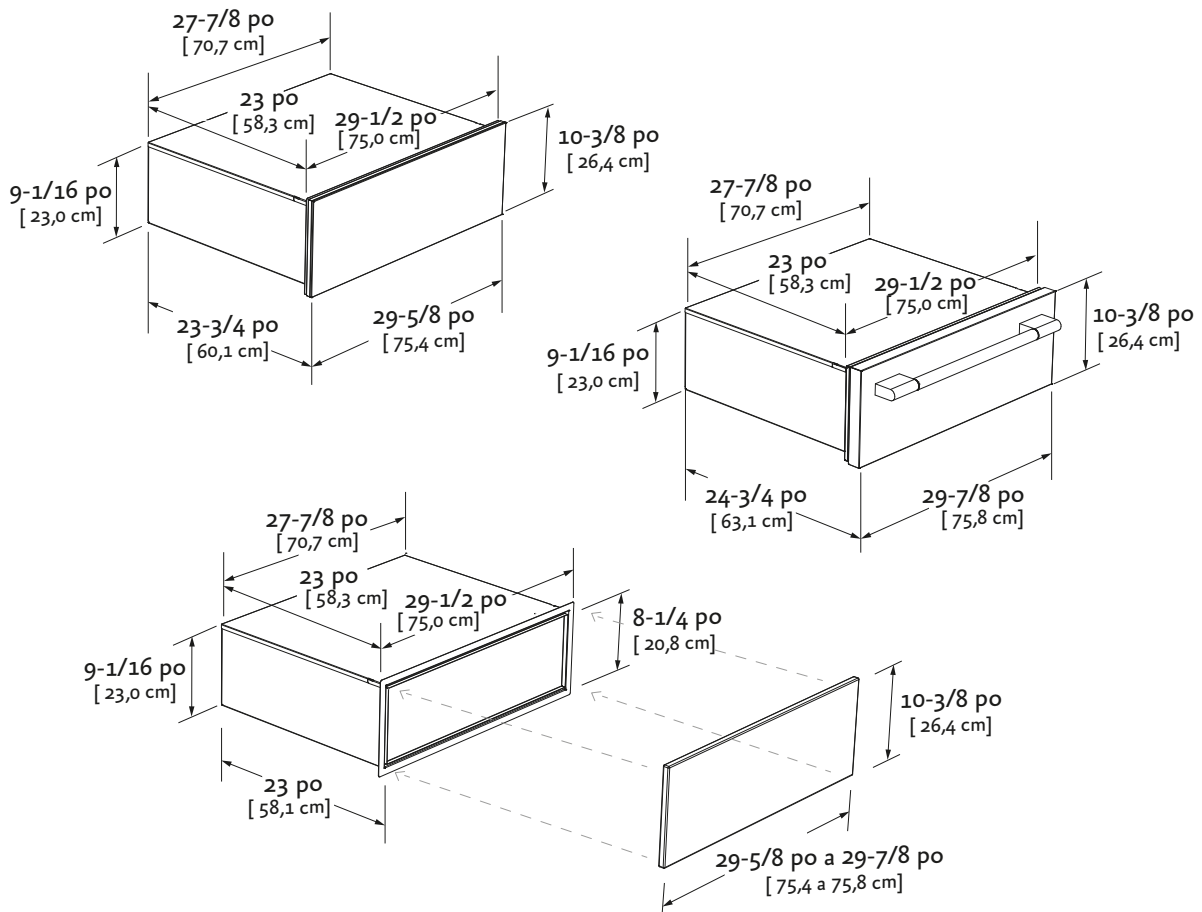
- L'unité est lourde et nécessite au moins deux personnes ou un équipement approprié pour se déplacer.
 - Vérifiez qu'il y a de la place pour faire fonctionner le cordon avant de placer le tiroir sans le pincer.
1. Si la fiche ne sera pas accessible après avoir placé l'unité, éteignez-la sur le panneau de service. Verrouillez le panneau de service pour empêcher l'alimentation d'être activée accidentellement.
 2. Faites passer le cordon dans la prise.
- Si la prise est accessible après avoir placé l'appareil, acheminez le cordon mais ne le rebranchez pas.
 - Si la fiche ne sera pas accessible après avoir placé le tiroir, branchez-le.

DIMENSIONS DE COUPE



FR

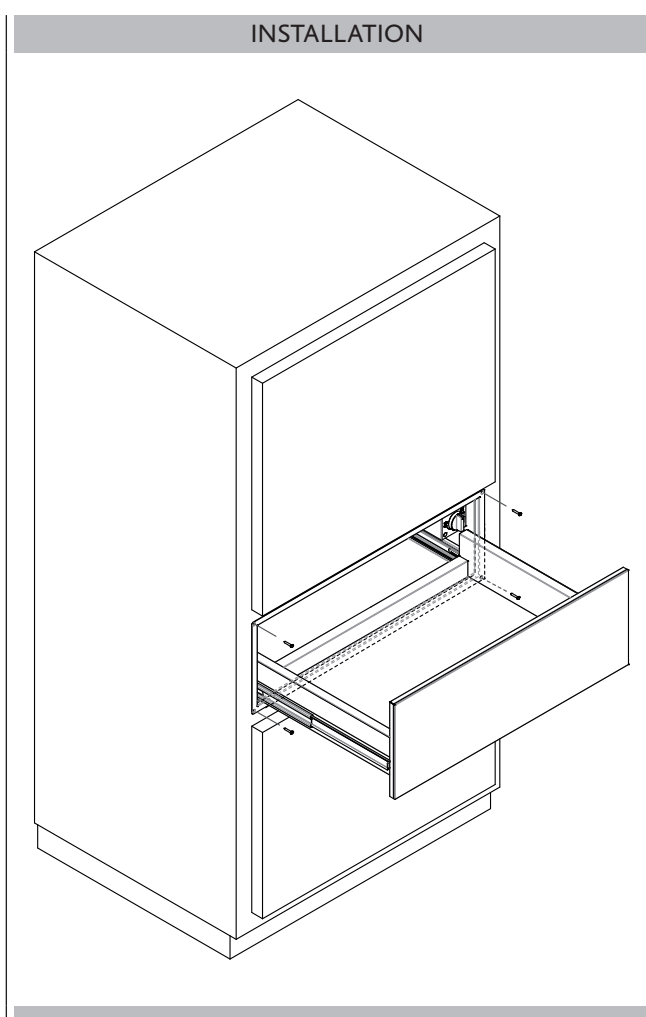
DIMENSIONS GÉNÉRALES



INSTALLATION (SUITE)

FR

3. Placez le tiroir de façon à ce qu'il soit directement centré et faites glisser l'assemblage du tiroir-réchaud dans la découpe jusqu'à ce qu'il affleure l'armoire.
4. Fixez solidement le tiroir à l'armoire à l'aide des vis fournies.
 - Si vous ne fixez pas le tiroir-réchaud, le tiroir pourrait bouger ou basculer pendant l'utilisation et endommager le tiroir ou les armoires ou blesser quelqu'un.
5. Remettez l'appareil sous tension ou branchez le tiroir.
6. Tournez le tiroir chauffant sur MAX. Observez que la lumière s'allume. Fermez le tiroir pendant environ 1 minute puis vérifiez la chaleur.
7. Vérifiez que le tiroir chauffe, puis éteignez le bouton.
 - Assurez-vous que le client sait comment couper l'alimentation du tiroir chauffant au disjoncteur ou à la boîte à fusibles en cas d'urgence.



PIÈCES ET SERVICE

ENREGISTREMENT DE DONNÉES DE SERVICE

La plaque signalétique peut être vue avec le tiroir est ouvert. Il est situé sur la surface inférieure du tiroir. Voir «PLAQUE SIGNALÉTIQUE» à la page 6.

Le moment est venu d'écrire ces informations dans l'espace ci-dessous. Conservez votre facture pour la validation de la garantie.

Numéro de modèle _____

Numéro de série _____

Date d'installation ou d'occupation _____

FR

LISTE DES PIÈCES

Visiter le site Web Hestan pour consulter la liste des pièces de ce produit:
www.hestanhome.com.

SERVICE

Toutes les réparations dans le cadre ou en dehors de la garantie doivent être effectuées par du personnel d'entretien qualifié. Pour localiser un réparateur agréé dans la région, s'adresser au concessionnaire Hestan, au représentant local ou à l'usine. Avant d'appeler, veiller à avoir les numéros de modèle et de série à portée de la main.

Hestan Commercial Corporation
3375 E. La Palma Avenue
Anaheim, CA 92806
(888) 905-7463

GARANTIE LIMITÉE

ÉLÉMENTS COUVERTS PAR LA PRÉSENTE GARANTIE LIMITÉE :

Hestan Commercial Corporation (« HCC ») garantit à l'acheteur initial d'un appareil de cuisson Hestan (le « Produit ») chez un revendeur agréé HCC que le Produit ne présente aucun vice de matériaux ni de fabrication pendant une période de trois (3) ans à compter de la date de l'achat initial au détail ou de la date de clôture en cas de construction neuve, la période la plus longue prévalant (« Période de Garantie Limitée »). HCC accepte de réparer ou de remplacer, à sa seule discrétion, tout composant ou pièce du Produit dont la défaillance est due à des vices de matériaux ou de fabrication pendant la Période de Garantie Limitée. La présente Garantie Limitée n'est pas transférable et n'est offerte à personne d'autre que l'acheteur initial au détail (« Acheteur »). La présente Garantie Limitée n'est valable que pour les Produits qui sont (i) achetés et reçus d'un revendeur agréé HCC, (ii) livrés après achat à un consommateur, et (iii) par la suite demeurent, dans les 50 États-Unis, le district de Colombie ou au Canada. Les événements qui entraînent l'annulation de cette garantie comprennent l'achat ou la prise de livraison ou le déplacement de produits vers n'importe quel endroit en dehors des 50 États-Unis, du District de Columbia ou du Canada. La présente Garantie Limitée ne s'applique qu'aux Produits destinés à un usage non-commercial, et ne s'étend pas aux produits utilisés à des fins commerciales.

GARANTIE LIMITÉE (SUITE)

MARCHE À SUIVRE POUR UNE RÉPARATION AU TITRE DE LA GARANTIE :

En cas de défaillance du Produit pendant la Période de Garantie Limitée pour des raisons couvertes par la présente Garantie Limitée, l'Acheteur doit contacter immédiatement le revendeur auprès duquel il a acheté le Produit ou HCC au 888.905.7463.

Il incombe à l'Acheteur de rendre le Produit raisonnablement accessible aux fins de réparation ou de défrayer la mise à disposition raisonnable du Produit aux fins de réparation. La réparation sera effectuée pendant les heures d'ouverture normales du Centre de réparation agréé par Hestan. Dans la mesure où l'Acheteur demande une réparation en dehors des heures d'ouverture normales du Centre de réparation agréé par Hestan, l'Acheteur devra déboursier la différence entre le tarif normal et celui des heures supplémentaires ou des primes. L'Acheteur doit régler tous les frais de déplacement excédants 80 km [50 milles] (dans un sens) par rapport au Centre de réparation le plus près agréé par Hestan.

PROLONGATION DE LA PÉRIODE DE GARANTIE LIMITÉE DE TROIS ANS :

En plus de la garantie limitée de trois ans, les composants qui suivent bénéficient d'une prolongation de la garantie comme expressément énoncé ci-après:

1. Les brûleurs à gaz (hormis leur aspect extérieur), les éléments chauffants électriques, les moteurs de ventilateurs (hottes de ventilation), les tableaux de commande électronique, les magnétrons et les génératrices asynchrones (le cas échéant) du produit sont garantis exempts de vices de matériaux et de fabrication dans des conditions normales d'utilisation non commerciale et de réparation pendant une période de cinq (5) ans au profit de l'acheteur initial. Cela exclut la corrosion superficielle, les rayures et la décoloration susceptibles de se produire pendant une utilisation normale et se limite au remplacement de la ou des pièces défectueuses, tous les autres frais, y compris ceux de la main-d'œuvre, de transport et de manutention, le cas échéant, étant à la charge de l'acheteur.

ÉLÉMENTS NON COUVERTS PAR LA PRÉSENTE GARANTIE LIMITÉE :

La présente Garantie Limitée ne couvre pas ce qui suit et exclut toute responsabilité financière de HCC relatives à : tous dommages ou vices affectant tout Produit non acheté chez un revendeur agréé HCC; variations de coloris dans la finition ou autres dommages esthétiques; panne ou dommages dus à une utilisation abusive ou erronée, un accident, un incendie, une catastrophe naturelle, un usage commercial du Produit, une interruption de l'alimentation électrique ou en gaz du Produit; dommages résultant d'une modification, d'une installation ou utilisation inappropriée du Produit; dommages résultant de la réparation ou du remplacement incorrect ou sans autorisation de tout composant ou pièce du Produit; dommages résultant d'un service après-vente assuré par quiconque autre qu'un agent ou représentant agréé du réseau commercial de Hestan; usure normale et détérioration; dommages résultant de l'exposition du Produit à une atmosphère corrosive contenant du chlore, du fluor ou toute autre substance chimique nuisible; dommages résultant de l'absence d'un entretien normal du Produit; dommages dont HCC n'a pas été avisé ou qui se sont produits après l'expiration de la Période de Garantie Limitée; dommages accessoires et indirects causés par tout vice de matériaux ou de fabrication.

ARBITRAGE :
La présente Garantie Limitée est régie par la Loi fédérale sur l'arbitrage. Tout litige opposant l'Acheteur à HCC et relatif au Produit ou à la présente Garantie Limitée doit être résolu par voie d'arbitrage exécutoire exclusivement sur une base individuelle avec l'acheteur. L'arbitrage sera effectué par l'Association Américaine d'Arbitrage (American Arbitration Association, « AAA ») conformément à ses règles d'arbitrage pour la protection du consommateur ou par JAMS. L'audience d'arbitrage se tiendra devant un arbitre nommé par l'AAA ou par JAMS. L'arbitre ne devra procéder à aucun arbitrage collectif et l'acheteur devra renoncer à tout recours contre HCC en qualité de représentant de tiers.

LIMITATION DE RESPONSABILITÉ :

La présente Garantie Limitée constitue l'accord définitif, intégral et exclusif entre HCC et l'acheteur relativement au Produit.

IL N'EXISTE AUCUNE GARANTIE EXPRESSE AUTRE QUE CELLES ÉNUMÉRÉES ET DÉCRITES CI-DESSUS. AUCUNE GARANTIE EXPRESSE OU IMPLICITE, Y COMPRIS SANS S'Y LIMITER, TOUTE GARANTIE IMPLICITE DE QUALITÉ MARCHANDE OU D'ADAPTATION À UN USAGE PARTICULIER NE S'APPLIQUERA APRÈS L'EXPIRATION DE LA PÉRIODE DE GARANTIE LIMITÉE INDIQUÉE CI-DESSUS. AUCUNE GARANTIE EXPRESSE APPLICABLE À CE

PRODUIT OFFERTE PAR UNE PERSONNE OU ENTREPRISE QUELCONQUE N'ENGAGERA HCC. HCC NE GARANTIT EN AUCUNE FAÇON L'ADAPTATION DU PRODUIT À UN USAGE PARTICULIER, SAUF DISPOSITION CONTRAIRE DE LA LÉGISLATION APPLICABLE. HCC N'ASSUME AUCUNE RESPONSABILITÉ POUR TOUT MANQUE À GAGNER, IMPOSSIBILITÉ DE RÉALISER DES ÉCONOMIES OU AUTRES AVANTAGES NI POUR TOUT AUTRE DOMMAGE PARTICULIER, DIRECT OU INDIRECT CAUSÉ PAR L'UTILISATION, L'USAGE ABUSIF OU L'INCAPACITÉ D'UTILISER CE PRODUIT, QUELLE QUE SOIT LA THÉORIE JURIDIQUE SUR LAQUELLE SE FONDE LA DEMANDE, MÊME SI HCC EST INFORMÉ DE LA POSSIBILITÉ DE TELS DOMMAGES. AUCUN RECÈVEMENT AUPRÈS DE HCC NE SERA SUPÉRIEUR AU PRIX D'ACHAT DU PRODUIT. SANS LIMITER LA PORTÉE DE CE QUI PRÉCÈDE, VOUS ASSUMEZ TOUS LES RISQUES ET LA RESPONSABILITÉ DES PERTES, DOMMAGES OU BLESSURES ET DÉGÂTS MATÉRIELS SUBIS PAR VOUS-MÊMES ET DES TIERS RÉSULTANT DE L'UTILISATION, DE L'USAGE ABUSIF OU DE L'INCAPACITÉ D'UTILISER CE PRODUIT, QUI NE SONT PAS CAUSÉS DIRECTEMENT PAR LA NÉGLIGENCE DE HCC. LA PRÉSENTE GARANTIE LIMITÉE ÉNONCE VOTRE RECOURS EXCLUSIF.

Aucune déclaration ni aucun engagement verbal ou écrit de la part de qui que ce soit, y compris sans s'y limiter un employé, représentant ou agent de HCC, ne créera une garantie ni élargira en quoi que ce soit la portée de la présente Garantie Limitée expresse de trois ans. En cas de divergence entre la présente Garantie Limitée et tout autre accord ou déclaration lié ou relatif au Produit, cette Garantie s'appliquera alors. Si une disposition quelconque de la présente Garantie Limitée est déclarée invalide ou inapplicable, elle sera réputée modifiée dans la limite nécessaire pour la rendre applicable et le reste de la Garantie Limitée restera valide et applicable selon ses modalités.

INTERACTION ENTRE CERTAINES LOIS ET LA PRÉSENTE GARANTIE LIMITÉE :

Il est possible que certains États, provinces et territoires n'autorisent pas la limitation de durée d'une garantie implicite ni l'exclusion ou la restriction des dommages directs ou indirects. Les limitations ou exclusions qui précèdent peuvent par conséquent ne pas être applicables. Il est possible que certains États, provinces ou territoires prévoient d'autres droits et recours en matière de garantie. Les dispositions de la présente Garantie Limitée n'ont pas pour but de limiter, modifier, restreindre, nier ni exclure les conditions obligatoires de garantie prévues par des États, provinces ou territoires, y compris certaines garanties implicites. La présente garantie confère des droits précis, auxquels peuvent s'ajouter d'autres droits qui varient selon le lieu.

Toute question relative à la présente Garantie Limitée peut être adressée à
Hestan Commercial Corporation au (888) 905-7463

Cette page a été intentionnellement laissée vierge

Cette page a été intentionnellement laissée vierge

**RETAIN THIS MANUAL FOR FUTURE REFERENCE
CONSERVEZ CE MANUEL POUR UNE RÉFÉRENCE FUTURE**



Hestan Commercial Corporation

3375 E. La Palma Ave.
Anaheim, CA 92806
(888) 905-7463