



STANDARD FEATURES



DELUXE GRILLS

- Horizon Hood™ with spring-assisted hinges to hold at desired heights*
- Motion activated Stadium Lights™ with halogen under-hood lighting*
- Multi-purpose built-in ceramic infrared rotisserie / searing / finishing burner* from 14,000 to 18,000 Btu/hour (depending on model) with simple touch on function
- Patented high performance 321SS tubular Trellis Burner™ at 25,000 Btu/hour each
- Patented 5/16" thick stainless steel DiamondCut Grates™ lasered in-house
- Hot surface ignition system with lighting assist function

Laser Cut Stainless Steel Grate - 5/16" thick



Under-Hood Lighting



- High performance variable ceramic infrared sear burner at 25,000 Btu/hour each
- Patented symmetrical flip to clean radiant tray with monogrammed ceramic briquettes
- 647 square inch total grilling surface for 36" model. 774 square inch total grilling surface for 42" model.
- Available in 36" and 42" widths
- 12" built-in double side burners or stainless steel worktop with storage drawer
- Marquise™ accented panels, side cart handle, and commercial end caps
- Flip-down front panel with commercial grade handle for access to gas tank and pullout tool storage drawer
- Standard pullout tray for LP gas tank through rear access door
- Left side Marquise™ paneled fold-down side shelf for extra work space
- Extra-large gray front wheels and commercial grade gray casters with 360 degrees of maneuverability for the smoothest cart movement

Multi-Purpose Ceramic Infrared Rotisserie



Tool Storage Drawer



Pull Out Tank Shelf



- Concealed chain driven whisper quiet rotisserie motor system with a single speed, 6 rpm, 50 in-lbs motor
- Double side burners: 20,000 Btu/hour brass front burner and 10,000 Btu/hour brass rear burner
- 1/4" thick DiamondCut Grate™
- Split shelf warming rack (42" model only) features an upper shelf position for browning and melting under the infrared rotisserie burner, and a lower shelf position to keep food warm.
- Sealed burner bowl with drain tube for easy cleaning
- Electronic spark ignition system with re-ignition capability
- LED lighting on front control panel
- 120V, 60Hz, 7 amp
- Please refer to Built-In Grills and Side Burner spec sheets for additional features

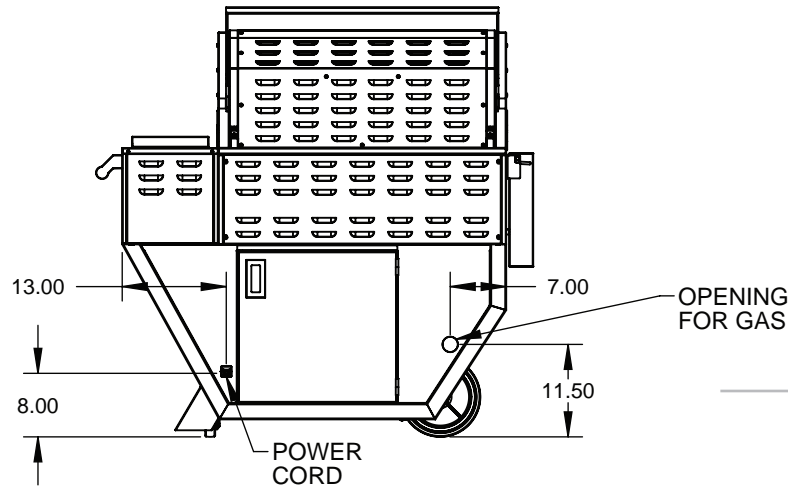


Model number as shown
GABR36CX2

* = patent pending



Shown with side burner



36" REAR VIEW

OPTIONS & ACCESSORIES

- Natural Gas (NG) or Liquid Propane (LP)
- Twelve (12) Hestan signature color finishes
- Carbon Fiber Vinyl Cover
- Gas conversion kits (NG/LP)
- Variable Sear Burner conversion kit
- Trellis Burner™ conversion kit
- High Altitude Kit

with 36" grill head



with 42" grill head



Colors Available



Shown in optional color

Shown with worktop and storage drawer



Shown in optional color

All Models	Description	Overall Dims			Total Btu's
		W(in.)	x D(in.)	x H(in.)	
G_BR36CX-NG / -LP	Deluxe Freestanding 36" grill with worktop / drawer	54-3/4	32-1/2	53-9/16	89000
G_BR36CX2-NG / -LP	Deluxe Freestanding 36" grill with double side burner	54-3/4	32-1/2	53-9/16	119000
G_BR42CX-NG / -LP	Deluxe Freestanding 42" grill with worktop / drawer	60-3/4	32-1/2	53-9/16	118000
G_BR42CX2-NG / -LP	Deluxe Freestanding 42" grill with double side burner	60-3/4	32-1/2	53-9/16	148000

ELECTRICAL REQUIREMENTS :

120V, 60Hz, 7 amps

GAS REQUIREMENTS : 1/2" NPT gas connection. Minimum gas supply is 7" water column for natural gas and 11" for propane. Operating pressure at the manifold is 4" water column for natural gas and 10" for propane.

All units require a regulated gas supply. (included)

_ = specify burner configuration

A= all Trellis Burners M= Sear and Trellis Burners S= all Sear Burners

Hestan Outdoor products are approved for outdoor use only. Hestan Commercial Corporation reserves the right to change materials and specifications without notice. Specify type of gas when ordering.