



Outdoor Refrigeration Products Installation and Instruction Manual

| | |
|----------|---|
| GRR24 | 24" REFRIGERATOR DRAWERS |
| GRFR24 | 24" REFRIGERATOR / FREEZER DRAWERS |
| GRSR24 | 24" OUTDOOR REFRIGERATOR RIGHT HINGE |
| GRSL24 | 24" OUTDOOR REFRIGERATOR LEFT HINGE |
| GRWSR24 | 24" DUAL ZONE REFRIGERATOR WITH WINE SOLID DOOR RIGHT HINGE |
| GRWSL24 | 24" DUAL ZONE REFRIGERATOR WITH WINE SOLID DOOR LEFT HINGE |
| GRWGR24 | 24" DUAL ZONE REFRIGERATOR WITH WINE GLASS DOOR RIGHT HINGE |
| GRWGL24 | 24" DUAL ZONE REFRIGERATOR WITH WINE GLASS DOOR LEFT HINGE |
| GFDSR241 | 24" SINGLE FAUCET BEER DISPENSER SOLID DOOR RIGHT HINGE |
| GFDSL241 | 24" SINGLE FAUCET BEER DISPENSER SOLID DOOR LEFT HINGE |
| GFDSR242 | 24" DOUBLE FAUCET BEER DISPENSER SOLID DOOR RIGHT HINGE |
| GFDSL242 | 24" DOUBLE FAUCET BEER DISPENSER SOLID DOOR LEFT HINGE |

TABLE OF CONTENTS

| | | | |
|--|-----|---------------------------------|----|
| Warranty Information | 2,3 | Door Information | 8 |
| Safety Information | 4 | Handle Installation | 9 |
| Plumbing, Electrical and General Information | 4 | Door Lock Installation | 9 |
| Installation Instructions | 5 | Wood Overlay Installation | 9 |
| Toe Kick Installation | 7 | Wine Rack Trim | 10 |
| Shelving/Drawer Adjustments | 8 | | |

CONGRATULATIONS

Congratulations on your purchase of a Hestan high quality residential refrigeration product. Hestan’s innovative product offering gives you the opportunity to enjoy the functionality and user friendliness in just about any room of your home, including kitchens, bedrooms, entertainment rooms, basements and even bathrooms.

All Hestan products are built with commercial grade stainless steel, providing you with the beauty and durability for a lifetime of use. This installation guide will show you how to properly install your new Hestan product.

We dedicate considerable time to ensure that our products provide the highest level of customer satisfaction. If, however, service is required, call Hestan at 888-905-7463. For your own protection, never return merchandise for credit without our approval.

We thank you again for selecting a high quality Hestan product. We hope you enjoy using it.

Model Number: _____

Serial Number: _____

Purchase Date: _____

Dealer Name/Address:

Phone Number: _____



HESTAN RESIDENTIAL PRODUCTS WARRANTY

WARRANTY:

Hestan Corporation (“Hestan”) warrants to the original retail purchaser that during the Basic Warranty Period, Hestan’s products will be free from defects in material and workmanship, and during the Extended Warranty Period, the hermetically sealed refrigeration system contained in Hestan’s undercounter refrigerator will be free from defects in material and workmanship. This system consists entirely of the compressor, condenser, drier, connecting tubing, evaporator and hot gas bypass valve.

The Basic Warranty Period is as follows:

- For a new product or floor display model. The two (2) year period commencing on the date of purchase by the original retail purchaser.

The Extended Warranty Period applies only to the hermetically sealed refrigeration system contained in Hestan’s undercounter refrigerators. The Extended Warranty Period is the portion of the five (5) year period commencing on the date of purchase by the original retail purchaser that is not covered by the Basic Warranty Period.

IMPORTANT!

Read and understand all information in this manual before attempting the installation. All plumbing and electrical work must be performed by a qualified technician and conform to all applicable state and local codes.

REMEDY:

Hestan will provide the parts and labor necessary to repair or replace (at Hestan's option) any parts proven to be defective in material or workmanship during the Basic Warranty Period. Hestan will provide the replacement parts, but not the labor, for any parts of the hermetically sealed refrigeration system proven to be defective in materials or workmanship during the Extended Warranty Period. The cost of freight to ship the replacement parts will be paid by Hestan. Replacement parts are warranted for the remainder of the original warranty period, or ninety (90) days, whichever is longer.

REGISTRATION:

Your Hestan product can be registered via the online Product Registration form at www.hestanoutdoor.com.

OTHER TERMS AND CONDITIONS:

This Warranty applies only to products installed in the fifty states of the United States, the District of Columbia and the ten provinces of Canada.

To obtain the warranty coverage described in this Warranty, Hestan or its authorized distributor or dealer must receive written notice of the warranty claim within the applicable warranty period. To receive parts and/or service and the name and telephone number of the nearest Hestan authorized service representative, please contact your Hestan dealer or distributor, or Hestan's Customer Service Department by calling Hestan's Customer Service Department at 888-905-7463 or e-mailing Hestan's Customer Service Department at outdoorwarranty@hestan.com.

All service provided by Hestan under this Warranty must be performed by Hestan's authorized service representatives, unless otherwise specified by Hestan in writing. Service will be provided during normal business hours.

This Warranty applies only to the original retail purchaser of the Hestan product, and may not be assigned or transferred.

This Warranty does not apply to:

- Damage to Products occurring during transportation.
- Products that are used in a manner that is not normal residential or light commercial use.
- Products that are: improperly installed; misused or abused; operated with low voltage; wired in a manner not conforming to electrical codes; not properly operated in accordance with Hestan's instructions; not cleaned or maintained in accordance with Hestan's instructions; modified; or damaged by lighting or other acts of nature.
- Consumable items such as light bulbs.
- Cosmetic damage.
- Adjustments to controls, door reversal, cleaning the condenser or other routine maintenance.
- Products for which the original proof of purchase, delivery date or serial number cannot be verified.
- Products for which the defective parts are not returned for inspection if requested by Hestan.
- Damage to other property caused by the products, including but not limited to loss of food due to spoilage and damage caused by water leakage.

THIS LIMITED WARRANTY IS IN LIEU OF ANY OTHER WARRANTY, EXPRESSED OR IMPLIED, INCLUDING BUT NOT LIMITED TO ANY IMPLIED WARRANTY OF MERCHANTABILITY OR FITNESS FOR A PARTICULAR PURPOSE; PROVIDED HOWEVER, THAT TO THE EXTENT REQUIRED BY LAW, IMPLIED WARRANTIES ARE INCLUDED BUT DO NOT EXTEND BEYOND THE DURATION OF THE EXPRESS WARRANTY FIRST SET ABOVE.

HESTAN'S SOLE LIABILITY AND YOUR EXCLUSIVE REMEDY UNDER THIS WARRANTY ARE SET FORTH IN THE PARAGRAPH ENTITLED "REMEDY" SET FORTH ABOVE.

HESTAN SHALL HAVE NO LIABILITY WHATSOEVER FOR ANY INCIDENTAL, CONSEQUENTIAL OR SPECIAL DAMAGES ARISING FROM THE SALE, USE OR INSTALLATION OF THE PRODUCT OR FROM ANY OTHER CAUSES WHATSOEVER, WHETHER BASED ON WARRANTY (EXPRESS OR IMPLIED) OR OTHERWISE BASED ON CONTRACT, TORT OR ANY OTHER THEORY OF LIABILITY. IN NO EVENT SHALL HESTAN'S LIABILITY WITH RESPECT TO A PRODUCT EXCEED THE PURCHASE PRICE OF THE PRODUCT.

Some states do not allow limitations on how long an implied warranty lasts, or the exclusion or limitation of incidental or consequential damages, so the above limitations and exclusions may not apply to you. This Warranty gives you specific legal rights, and you may also have other rights, which vary from state to state.

SAFETY

PLEASE READ all instructions completely before attempting to install or operate the unit. Take particular note of the DANGER, WARNING and CAUTION information in the manual. The information is important for the safe and efficient installation, operation and care of your unit.

DANGER

Indicates a hazard that WILL result in serious injury or death if precautions are not followed.

WARNING


Indicates a hazard MAY cause serious injury or death if precautions are not followed.


CAUTION


Indicates a hazard where minor injury or product damage may occur if precautions are not followed.

PRIOR TO INSTALLATION


Carefully inspect cabinet for hidden damage. If damage is discovered, file your claim immediately with the transport company. Hestan is not responsible for damage in transit.

 **CAUTION** When moving the unit, be sure to protect finished flooring with appropriate material to avoid damage from moving the unit.

 **CAUTION** Do not lift unit by drawer, shelving or door handles, as damage to the unit could occur if not moved as instructed.

 **WARNING** To prevent personal injury, a minimum of two people are required to lift the unit. Larger units may require additional personnel.

Before moving the unit, secure the door shut with tape to prevent door from swinging open while being moved. Carefully move unit to installation site and place in front of opening.

 **CAUTION** If unit has been laid on its back or sides, place unit upright and allow minimum of 24 hours before connecting power.

PLUMBING


No plumbing connections are required. Condensate from the cooling coil is automatically evaporated through a condensate pan located in the condensing section of the unit.

ELECTRICAL

A 115 volt, 60 Hz, 15 amp circuit breaker and electrical supply are required. A separate circuit is required for each Hestan unit installed.

Follow the National Electrical Code and any local codes or ordinances when installing the receptacle.

All Hestan units come equipped with a NEMA 5-15P 90° plug with a 5' cord extending beyond the rear of the cabinet. The electrical outlet must be flush with, or recessed into, the wall surface for all Hestan models.

 **CAUTION** Do not attempt to operate the equipment on any other power source than that listed on the Electrical Specification Plate attached to the unit.

⚠ DANGER Serious Electrocutation Hazard!
Electrical grounding is required.

This appliance is equipped with a 3-prong (grounding) polarized plug for your protection against possible shock hazards. Failure to comply with these electrical guidelines may result in possible death or serious injury, fire, or loss of property.

- Never remove the round grounding prong from the plug.
- Never use a 2-prong adapter.
- Never use extension cord to connect power to the unit.
- If a 2-prong receptacle is encountered, or a longer power cord is required, contract a qualified electrician to have it replaced in accordance with applicable electrical codes.

ADDITIONAL GENERAL INFORMATION

- All electrical instructions assume the outlet is located 4" - 10" above the floor surface.
- Floor must be level in area of installation. Leg levelers are used for fine-tune adjustment only and should not be used to compensate for floor differences exceeding 1/2".

INSTALLATION

Unit may tip forward if loaded racks/shelves are all pulled out at the same time. To prevent tipping, and to provide stable installation, the unit must be secured in place with the anti-tip brackets supplied with the unit. The anti-tip brackets, when properly installed, should secure the rear legs/glides to the mounting surface and prevent the unit from tipping forward.

NOTE: Anti-tip brackets are only used for stationary cabinets and should not be installed on cabinets with accessory casters. Caster kits are available for Hestan models. Refer to the instructions supplied with the caster kit for proper installation.

Note: If installing on a concrete floor, concrete fasteners are required and not included with the anti-tip kit.

Note: Some installation sites may require modifications to provide a secure surface for attaching the brackets.

A set of anti-tip brackets is supplied with the unit. These brackets should be attached to the floor at the rear of the unit. Each bracket must be located to engage the rear glides when the cabinet is pushed back into position. Refer to Figure 1 (shown below) for anti-tip bracket mounting locations.

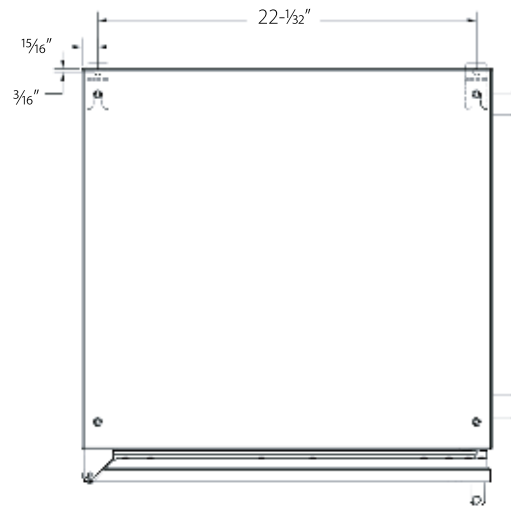


Figure 1. 24" Anti-tip Kit

PREPARING THE SPACE

⚠ CAUTION If the unit is to be installed under a countertop, it is recommended that the countertop be supported by a structure other than the unit itself to prevent damage to the unit.

⚠ CAUTION Make sure the floor under the unit is level with the surrounding finished floor. Protect a finished floor with plywood cardboard, or some other suitable material before moving the unit into place. Failure to do this may result in damage to the floor.

1). Make sure the space opening is correctly sized for the unit. See chart below for finished rough opening requirements:

| 24" Hestan Models | | |
|-------------------------------------|-------|-------|
| Height | Depth | Width |
| 34-3/8" minimum, 35-1/2" maximum | 24" | 24" |

NOTE: For a cabinet door to open properly, the door must open a minimum of 90°. Use a minimum 3" filler in corner installations to assure a full 90° opening. Allow 25" clearance in front of unit for full door swing and shelf/drawer pull out for all units.

- 2). Check that the following are level and square:
- Front and interior opening
 - Installation opening and floor surface
 - Countertop bottom front edge

NOTE: The floor under the unit must be at the same level as surrounding finished floor.

⚠ CAUTION To prevent possible damage to the countertop, do not place heavy objects on countertop directly over unit.

INSTALLING THE UNIT

1). Plug the unit into the 15 amp grounded electrical outlet located within the installation opening. With power applied to the unit, check that the lighting and cooling functions operate properly. Turn off the power to the wall outlet at the circuit breaker.

2). With all surfaces in the installation opening square and level, refer to Figure 2 on page 7 and perform the following steps to level the unit:

- At the front of the opening, measure from the floor to the bottom of the front edge of the countertop.
- Measure from the floor surface to the top of the unit at the rear corners.
- Adjust the unit legs so these two measurements are equal. Using an adjustable wrench or pliers, turn legs clockwise to lower the unit or counterclockwise to raise it.

NOTE: Legs should not extend more than 3/4" from the bottom of the unit.

3). Slide the unit into position in the opening. Make sure the rear leveling legs slide under the ant-tip brackets. Push the unit into the opening until the bottom front edge of the unit is flush with the surrounding cabinetry, or until the rear legs are tight against the anti-tip brackets.

4). Shim the front of the unit so the front face is flush with the surrounding cabinetry. Adjust the front legs to support the countertop at the shimmed height. Using an adjustable wrench or pliers, turn the legs clockwise to lower the unit or counterclockwise to raise it. Countertop should be resting on top of the unit.

NOTE: Countertop should be resting evenly on entire top of the unit. Shim if necessary to prevent damage to the countertop.

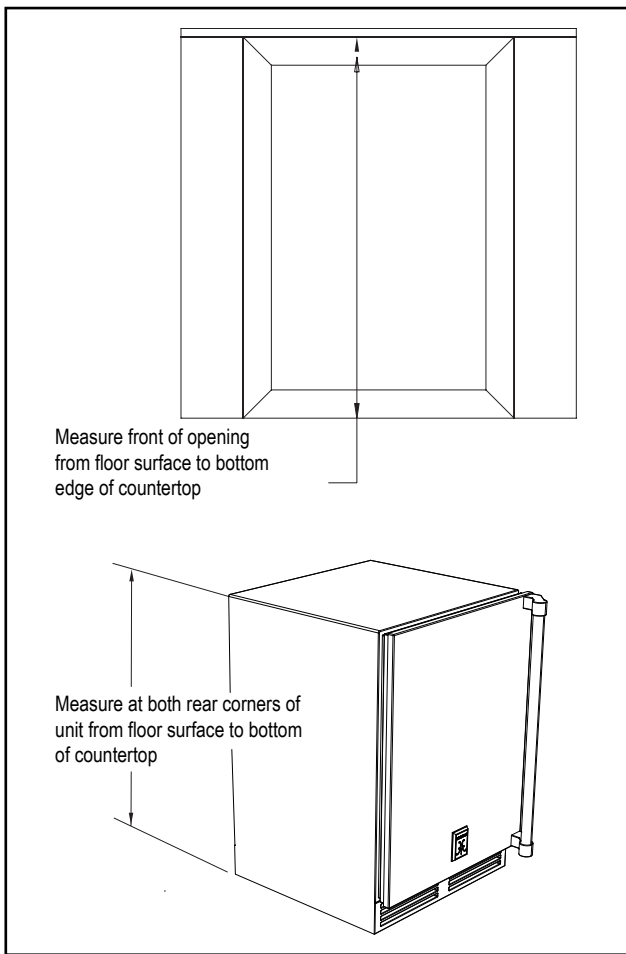


Figure 2. Leveling the Unit

5). Check interior door openings to make sure the unit is level and square. Install shelving and/or drawers. Place the slide brackets squarely into the bracket grooves. When installed properly, a “click” should be heard from the slide bracket retaining tabs and the brackets should slide smoothly. The retaining tabs will stop the shelf/drawer when pulled out to full extension.

6). Turn on the power to the wall outlet at the circuit breaker.

NOTE: Improper shelf/drawer installation may not actuate slide mechanism.

TOE PLATE INSTALLATION

Once the unit is secured in place, install the louvered toe plate. Secure the plate by snapping the latch into the latch catch on the unit (Figure 3).

⚠ CAUTION The toe plate must be removed to service the unit. The floor cannot interfere with removal, and the louvered sections must not be covered or obstructed. Obstructions could prevent proper air circulation, which may damage the unit.

NOTE: To achieve maximum performance, interior louver openings and fan guard openings should never be obstructed.

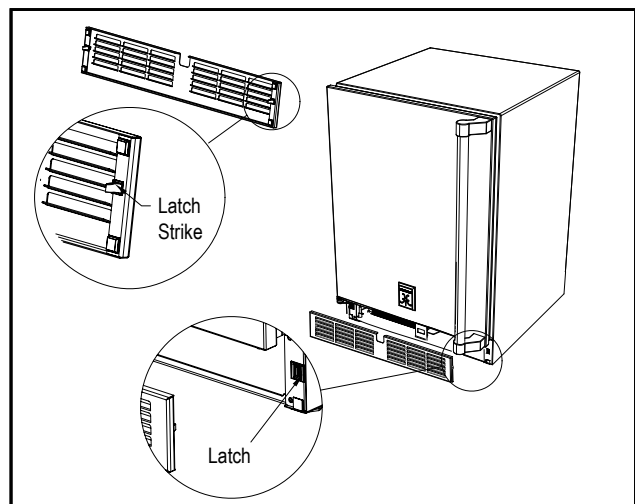


Figure 3. Toe Plate Installation

SHELVING/DRAWER ADJUSTMENTS

⚠ CAUTION Completely empty shelf or drawer before removing.

1. Pull the shelf/drawer out to its furthest position. Locate the tabs in the middle of both extenders. Lift one tab up while pushing the opposite tab down, and pull shelf/drawer out (Figure 4).
2. Position each bracket separately. Grasp the middle of the bracket, pull the front end up and out, then forward to remove it.
3. Place bracket at desired location. Push the bracket rear hook into the rear mounting slot, then set front of the bracket in the front slot.
4. Repeat for other brackets.
5. Push extenders completely into brackets. Align the shelf/drawer grooves with the extenders and slide completely into the unit.

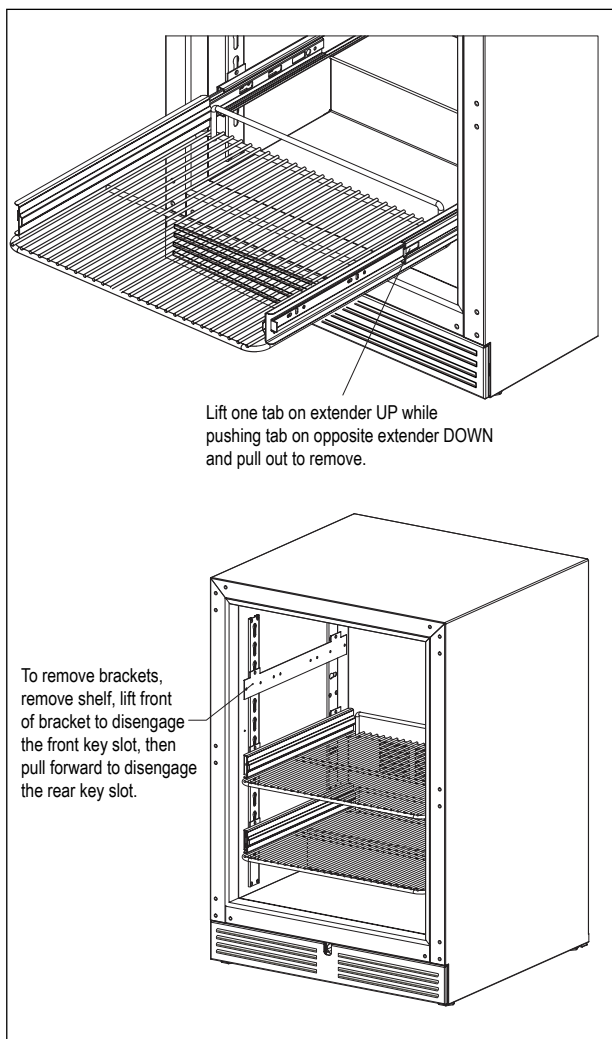


Figure 4. Shelving/Drawer Adjustment

DOOR OPTIONS

Hestan residential units can be converted from stainless steel to wood overlay in the field. Solid stainless steel and stainless steel glass doors are shipped from the factory with decorative stainless steel panels and handles in place on the unit. All stainless steel doors and drawers are convertible to fully integrated models, ready to accept custom panels from your cabinetry supplier. Templates for custom panels are available at www.hestanoutdoor.com.

Take care in choosing the correct template for your specific unit. Original appliance handle or custom cabinet handle can be installed onto overlay panel.

NOTE: Glass with stainless steel trim and glass with wood trim may sweat in conditions with relative humidity over 75%.

HANDLE INSTALLATION

CAUTION The handle mounting on the wood overlay should be mounted on the overlay only (not the actual door) to avoid damage to the factory door.

1. Handle must be attached to the overlay before mounting the overlay onto the door. Mark the rear of the wood overlay panel with handle fastening locations.
2. Drill through the wood overlay panel at marked locations, taking care not to damage the panel.
3. Countersink screw heads so that screw heads are flush with the back side of the panel. Attach the handle to the overlay panel.

CAUTION Proper woodworking materials and equipment should be used to avoid damage or errors in workmanship.

DOOR LOCK INSTALLATION

NOTE: Full size lock installation wood overlay panel templates are available on the Hestan website www.hestanoutdoor.com

Lock templates are available for all Hestan models. Take care in choosing the correct template for your specific model.

When installing to a wood overlay, perform the lock installation before mounting the wood overlay to the door!

1. See Figure 5 below. Attach mounting bracket to wood overlay.
2. Insert lock body and attach with nut.

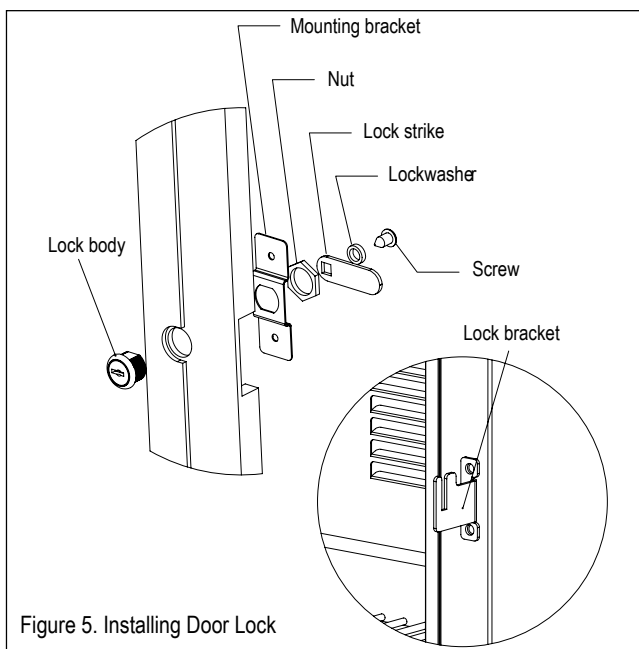


Figure 5. Installing Door Lock

WOOD OVERLAY INSTALLATION

Before beginning installation, check all components for proper fit and finish.

CAUTION For best performance and functionality, the overlay panels should be 3/4" thick. The weight of the overlays should not exceed 20 lbs for solid (-2) doors, 10 lbs for glass (-4) doors, or 10 lbs for drawer (-6) models.

1. With the unit secured in position, open the door, remove the door gasket and make sure panel pre-drilled holes align with door frame holes.
2. Loosely attach four corners of overlay panel to the door using #10 x 3/4" wood screws, installed through the door frame from the rear.
3. Check for overall wood overlay panel fit, position, and function. Make minor adjustments as necessary. When panel is properly aligned, tighten mounting screws securely. Install the rest of the mounting screws and tighten securely.

CAUTION Do not overtighten wood overlay attachment screws, as this may damage the factory supplied door frame.

WINE RACK TRIM (OPTIONAL)

All wine reserve racks come with sleek stainless steel fronts, which can be removed and replaced with other wood to match your cabinetry. See Figure 6 for wine rack face details.

NOTE: The unfinished faces should be finished and sealed. In many cases, stains and / or finishes have odors that may be objectionable in an enclosed area. Do not stain or finish wood faces while installed on unit. To remove the front wood face from the wine shelf, simply pull out the wine shelf and remove the fasteners, finish as desired.

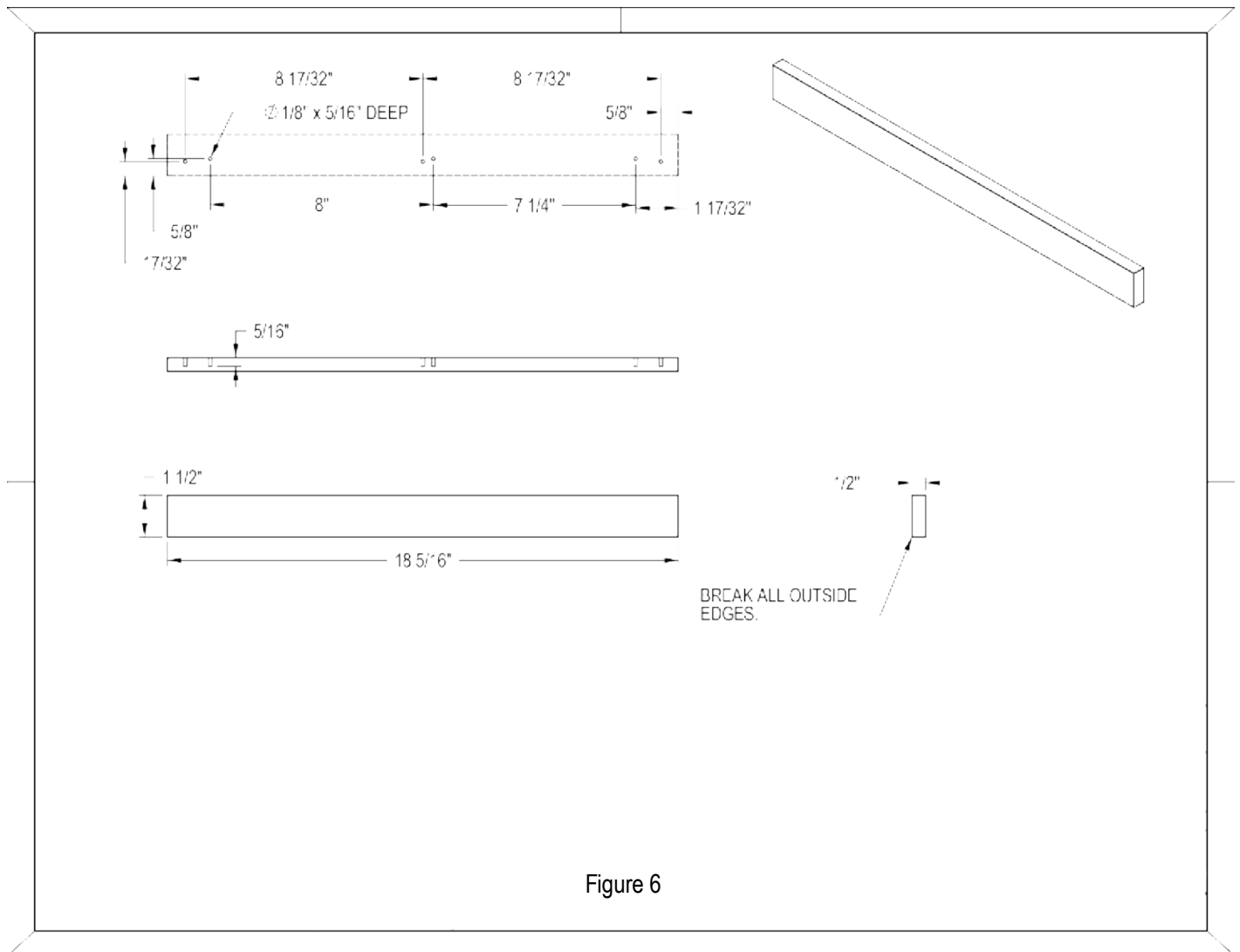


Figure 6



Grilles, and Corresponding Compliance and Energy Guides are available for download at
www.hestanoutdoor.com

Contact Hestan Customer or Technical Service at
888-905-7463

Customer Service and Technical Service are available business days
Monday through Friday from 8:00 a.m. to 5:00 p.m. PST.