



Built-In Grill with Rotisserie  
GABR/GSBR/GMBR  
Parts List

Hestan Commercial Corporation  
3375 E. La Palma Ave.  
Anaheim, CA 92806  
(888) 905-7463

RETAIN THIS FOR FUTURE REFERENCE

## REPLACEMENT PARTS - HESTAN OUTDOOR GRILLS



All warranty and non-warranty repairs should be performed by qualified service personnel. To locate an authorized service agent, contact your Hestan dealer, local representative, or the manufacturer. Before you call, please have the model number and serial number information ready.

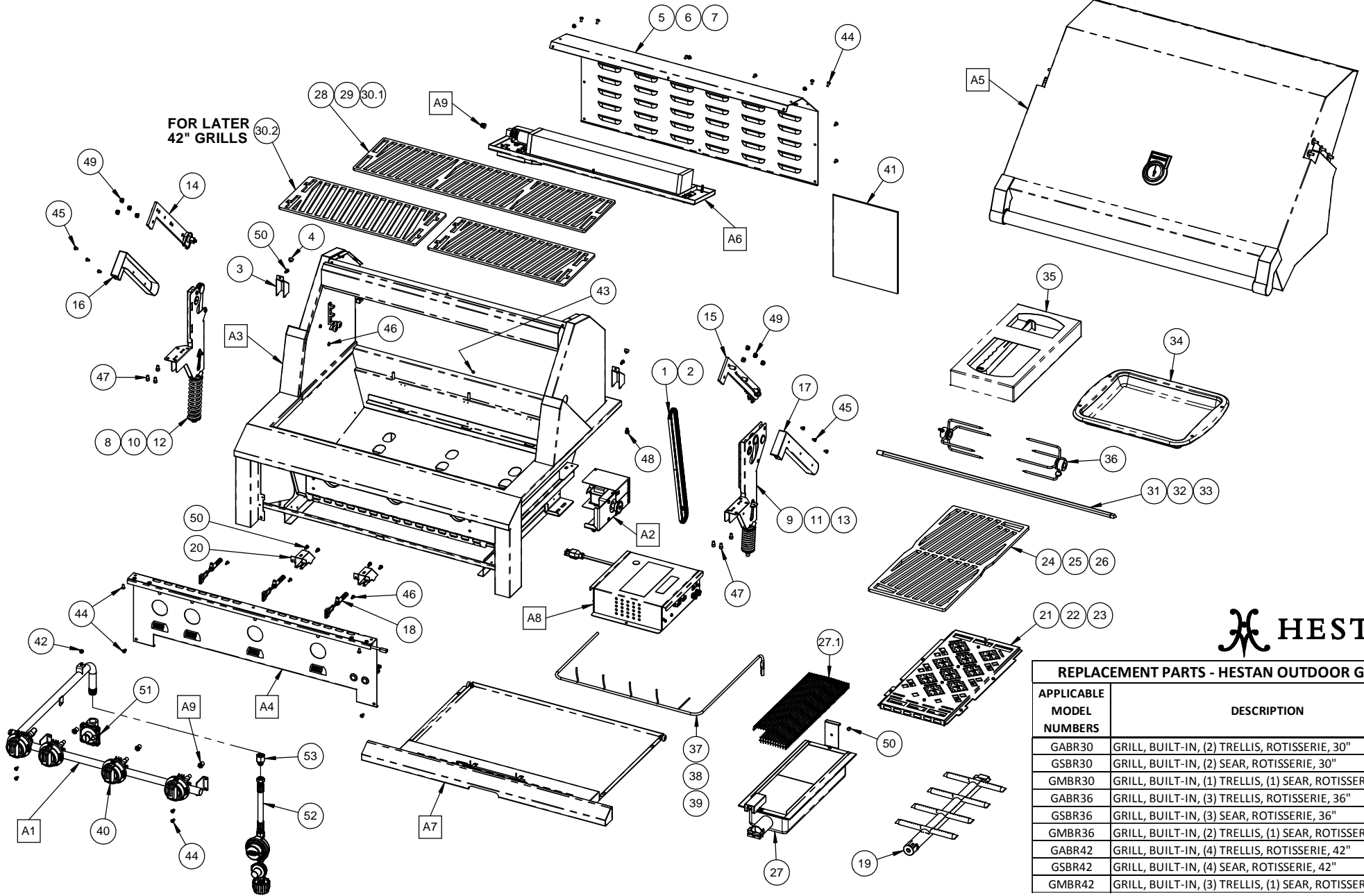
Hestan Commercial Corp.  
(888) 905-7463

ITEM	DESCRIPTION	DESCRIPTION
A1	SERVICE, MANIFOLD, GAS ASSY., GRILL	SEE SUB-ASSEMBLY FOR PARTS BREAKDOWN
A2	SERVICE, ASSY., ROTISS MOTOR, GRILL	SEE SUB-ASSEMBLY FOR PARTS BREAKDOWN
A3	SERVICE, ASSY., CANOPY, GRILL	SEE SUB-ASSEMBLY FOR PARTS BREAKDOWN
A4	SERVICE, ASSY., CONTROL PANEL, GRILL	SEE SUB-ASSEMBLY FOR PARTS BREAKDOWN
A5	SERVICE, ASSY., LID, GRILL	SEE SUB-ASSEMBLY FOR PARTS BREAKDOWN
A6	SERVICE, ASSY., ROTISS BURNER, GRILL	SEE SUB-ASSEMBLY FOR PARTS BREAKDOWN
A7	SERVICE, ASSY., DRIP PAN, GRILL	SEE SUB-ASSEMBLY FOR PARTS BREAKDOWN
A8	SERVICE, ASSY., ELECTRICAL BOX ASSY., OUTDOOR GRILL	SEE SUB-ASSEMBLY FOR PARTS BREAKDOWN
A9	SERVICE, ORIFICE CHART, OUTDOOR GRILL	SEE SUB-ASSEMBLY FOR PARTS BREAKDOWN

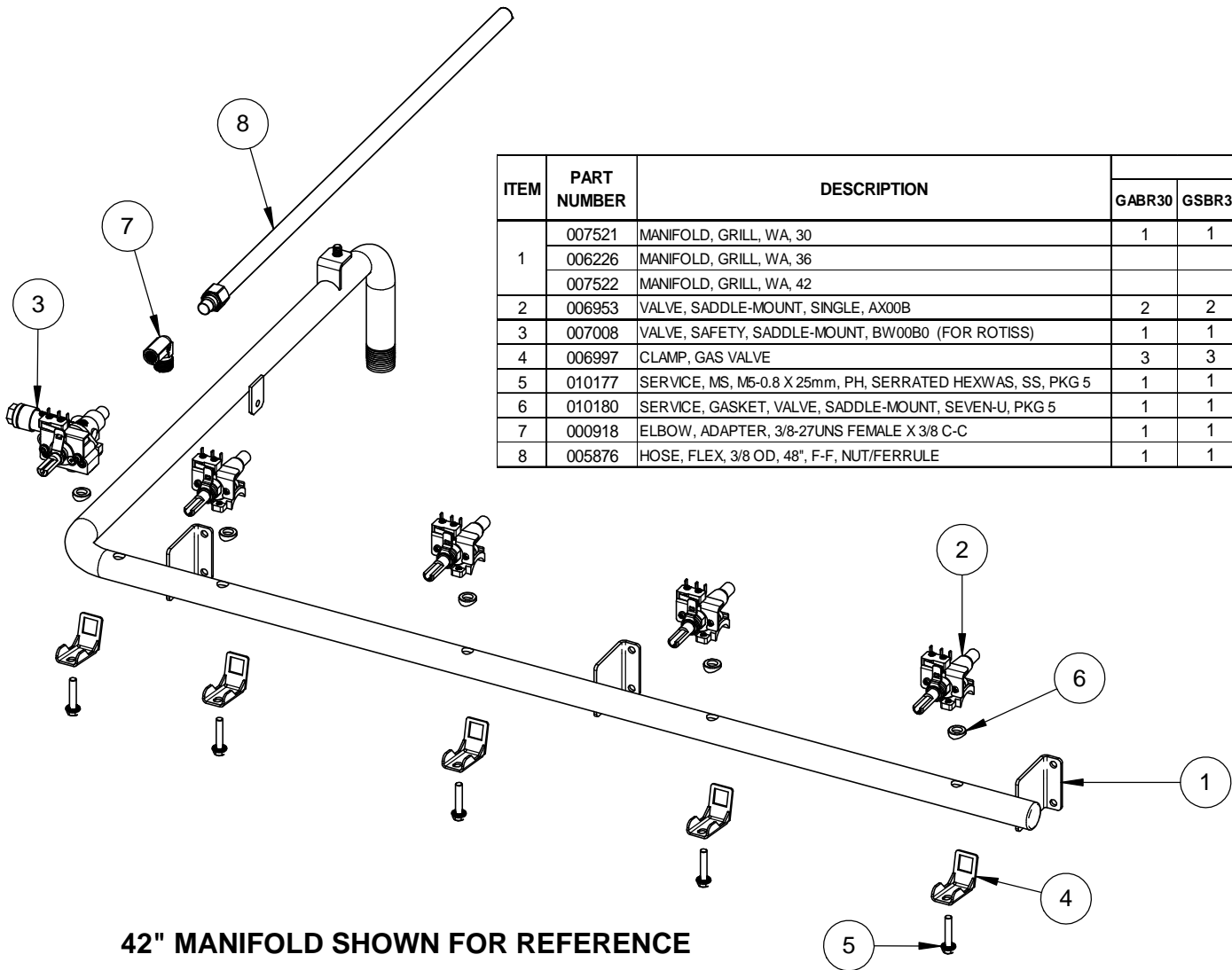
ITEM	PART NUMBER	DESCRIPTION	QTY.								
			GABR30	GSBR30	GMBR30	GABR36	GSBR36	GMBR36	GABR42	GSBR42	GMBR42
1	007690	CHAIN, ROLLER, ANSI #25, GRILL	1	1	1	1	1	1	1	1	1
2	007692	MASTER LINK, ANSI #25 CHAIN	1	1	1	1	1	1	1	1	1
3	007715	STOP, LID, GRILL	2	2	2	2	2	2	2	2	2
4	010197	SERVICE, BUMPER, RUBBER, .50 DIAM. X .250 H, PKG 4	1	1	1	1	1	1	1	1	1
5	008302	COVER, REAR, GRILL, 30	1	1	1						
6	006197	COVER, REAR, GRILL, 36				1	1	1			
7	008536	COVER, REAR, GRILL, 42							1	1	1
8	008916	COUNTERBALANCE HINGE ASSY., LH, GRILL, 30	1	1	1						
9	008920	COUNTERBALANCE HINGE ASSY., RH, GRILL, 30	1	1	1						
10	008918	COUNTERBALANCE HINGE ASSY., LH, GRILL, 36				1	1	1			
11	008922	COUNTERBALANCE HINGE ASSY., RH, GRILL, 36				1	1	1			
12	008919	COUNTERBALANCE HINGE ASSY., LH, GRILL, 42							1	1	1
13	008923	COUNTERBALANCE HINGE ASSY., RH, GRILL, 42							1	1	1
14	008200	PIVOT ARM ASSY., LH, COUNTERBALANCE HINGE, GRILL	1	1	1	1	1	1	1	1	1
15	008202	PIVOT ARM ASSY., RH, COUNTERBALANCE HINGE, GRILL	1	1	1	1	1	1	1	1	1
16	007584	COVER, STAMPED, LH, PIVOT ARM	1	1	1	1	1	1	1	1	1
17	007585	COVER, STAMPED, RH, PIVOT ARM	1	1	1	1	1	1	1	1	1
18	006096	IGNITER, HOT SURFACE, BURNER	2	2	2	3	3	3	4	4	4
19	005896	BURNER, TRELIS, GRILL	2		1	3		1	4		1
20	007674	SHROUD, IGNITER, GRILL, WA	2		1	3		2	4		3
21	006328	ASSY., BRIQUETTE TRAY, GRILL, 30	2		1						
22	005959	ASSY., BRIQUETTE TRAY, GRILL, 36				3		2			
23	008939	ASSY., BRIQUETTE TRAY, GRILL, 42							4		3
24	006516	GRATE, STD, GRILL, 30	2	2	2						
25	007335	GRATE, STD, GRILL, 36				3	3	3			

ITEM	PART NUMBER	DESCRIPTION	GABR30	GSBR30	GMBR30	GABR36	GSBR36	GMBR36	GABR42	GSBR42	GMBR42
26	008887	GRATE, STD, GRILL, 42							4	4	4
27	007500	ASSY., SEAR BURNER (includes screen)		2	1		3	1		4	1
27.1	007627	SCREEN, SEAR BURNER, GRILL		2	1		3	1		4	1
28	008689	WARMING RACK, GRILL, 30	1	1	1						
29	006858	WARMING RACK, GRILL, 36				1	1	1			
30.1	008688	WARMING RACK, GRILL, 42 (FOR EARLY 42" GRILLS)							1	1	1
30.2	014082	WARMING RACK, SPLIT, GRILL, 42 (FOR LATER 42" GRILLS)							2	2	2
31	006253-030	SPIT, ROTISSERIE, 30	1	1	1						
32	006253-036	SPIT, ROTISSERIE, 36				1	1	1			
33	006253-042	SPIT, ROTISSERIE, 42							1	1	1
34	007648	PAN, DRIP, ACCESSORY, GRILL	1	1	1	1	1	1	1	1	1
35	008206	SMOKER BOX SET	1	1	1	1	1	1	1	1	1
36	006951	FORK, ROTISSERIE	2	2	2	2	2	2	2	2	2
37	008623	HARNESS, WIRE, LIGHT & IGNITION, GRILL, 30	1	1	1						
38	008622	HARNESS, WIRE, LIGHT & IGNITION, GRILL, 36				1	1	1			
39	008607	HARNESS, WIRE, LIGHT & IGNITION, GRILL, 42							1	1	1
40	007455	KNOB ASSY., BURNER, GRILL	3	3	3	4	4	4	5	5	5
41	008980	MANUAL, USE & CARE, OUTDOOR GRILL	1	1	1	1	1	1	1	1	1
42	017823	SERVICE, NUT, KEPS, 1/4-20, ZN, PKG 4	1	1	1	1	1	1	1	1	1
43	017830	SERVICE, MS, 8-32 X .375, PH, FLT, UC, SS, PKG 2	1	1	1	1	1	1	1	1	1
44	010236	SERVICE, MS, 10-24 X 3/8, PH, PAN, SS, PKG 12	2	2	2	2	2	2	2	2	2
45	010237	SERVICE, MS, 10-24 X 1/4, HEXHD, SS, PKG 6	1	1	1	1	1	1	1	1	1
46	010222	SERVICE, MS, 8-32 X .375, TORX, PAN, SS, PKG 10	1	1	1	1	1	1	1	1	1
47	010238	SERVICE, SHCS, 1/4-20 X .375, SS, PKG 6	1	1	1	1	1	1	1	1	1
48	011717	SERVICE, HB, 1/4-20 X .500, SS, PKG 4	1	1	1	1	1	1	1	1	1
49	010240	SERVICE, NUT, LCK, EXPANDING, 1/4-20, SS, PKG 8	1	1	1	1	1	1	1	1	1
50	010237	SERVICE, MS, 10-24 X 1/4, HEXHD, SS, PKG 6	1	1	1	1	1	1	1	1	1
51	006239	REGULATOR, STRAIGHT-THRU, 1/2"NPT, (FOR NG)	1	1	1	1	1	1	1	1	1
52	006256	REGULATOR, 2-STAGE, LP TANK X 3/8 NPT(F) OUTLET (FOR LP)	1	1	1	1	1	1	1	1	1
53	008053	ADAPTER, 3/8 FLARE X 1/2 NPT FEMALE (FOR LP)	1	1	1	1	1	1	1	1	1

# REPLACEMENT PARTS - HESTAN OUTDOOR GRILLS



REPLACEMENT PARTS - HESTAN OUTDOOR GRILLS	
APPLICABLE MODEL NUMBERS	DESCRIPTION
GABR30	GRILL, BUILT-IN, (2) TRELLIS, ROTISSERIE, 30"
GSBR30	GRILL, BUILT-IN, (2) SEAR, ROTISSERIE, 30"
GMBR30	GRILL, BUILT-IN, (1) TRELLIS, (1) SEAR, ROTISSERIE, 30"
GABR36	GRILL, BUILT-IN, (3) TRELLIS, ROTISSERIE, 36"
GSBR36	GRILL, BUILT-IN, (3) SEAR, ROTISSERIE, 36"
GMBR36	GRILL, BUILT-IN, (2) TRELLIS, (1) SEAR, ROTISSERIE, 36"
GABR42	GRILL, BUILT-IN, (4) TRELLIS, ROTISSERIE, 42"
GSBR42	GRILL, BUILT-IN, (4) SEAR, ROTISSERIE, 42"
GMBR42	GRILL, BUILT-IN, (3) TRELLIS, (1) SEAR, ROTISSERIE, 42"



ITEM	PART NUMBER	DESCRIPTION	QTY								
			GABR30	GGBR30	GMBR30	GABR36	GGBR36	GMBR36	GABR42	GGBR42	GMBR42
1	007521	MANIFOLD, GRILL, WA, 30	1	1	1						
	006226	MANIFOLD, GRILL, WA, 36				1	1	1			
	007522	MANIFOLD, GRILL, WA, 42							1	1	1
2	006953	VALVE, SADDLE-MOUNT, SINGLE, AX00B	2	2	2	3	3	3	4	4	4
3	007008	VALVE, SAFETY, SADDLE-MOUNT, BW00B0 (FOR ROTISS)	1	1	1	1	1	1	1	1	1
4	006997	CLAMP, GAS VALVE	3	3	3	4	4	4	5	5	5
5	010177	SERVICE, MS, M5-0.8 X 25mm, PH, SERRATED HEXWAS, SS, PKG 5	1	1	1	1	1	1	1	1	1
6	010180	SERVICE, GASKET, VALVE, SADDLE-MOUNT, SEVEN-U, PKG 5	1	1	1	1	1	1	1	1	1
7	000918	ELBOW, ADAPTER, 3/8-27UNS FEMALE X 3/8 C-C	1	1	1	1	1	1	1	1	1
8	005876	HOSE, FLEX, 3/8 OD, 48", F-F, NUT/FERRULE	1	1	1	1	1	1	1	1	1

42" MANIFOLD SHOWN FOR REFERENCE



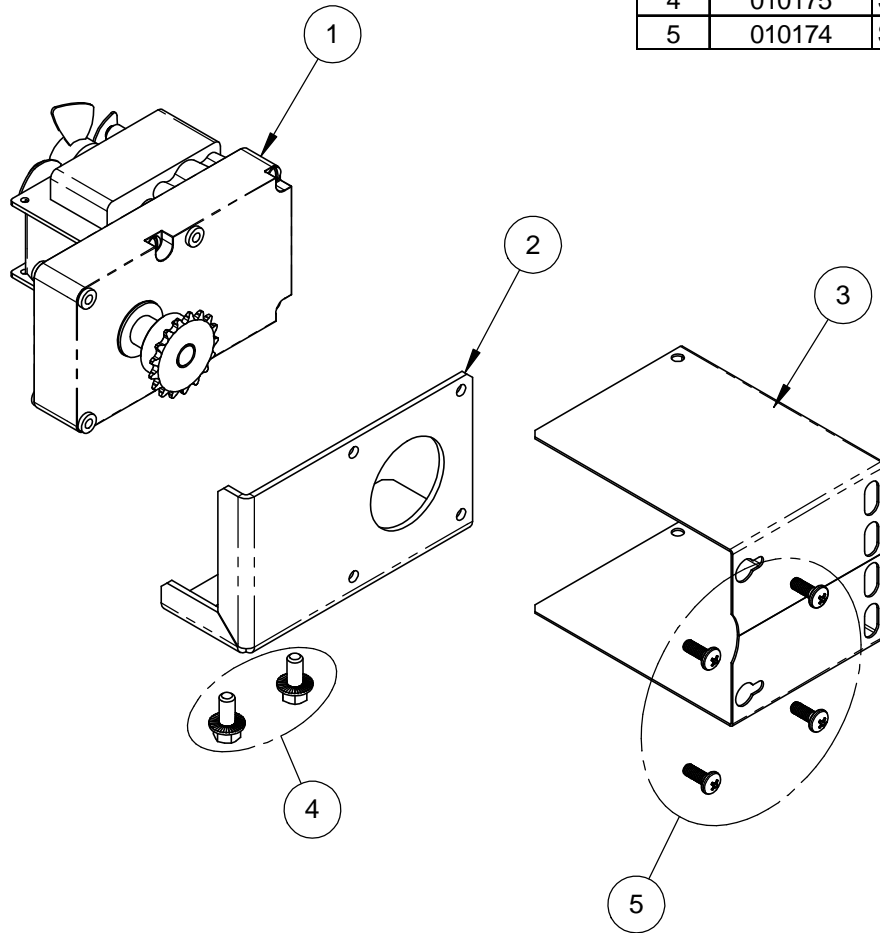
**SERVICE, MANIFOLD, GAS  
ASSY., GRILL**

DESCRIPTION

DRAWING NO

**A1**

ITEM	PART NUMBER	DESCRIPTION	QTY
1	010132	SERVICE, ASSY., GEAR MOTOR W/SPROCKET, GRILL	1
2	008543	BRACKET, MOTOR MOUNT, GRILL, WA	1
3	006162	COVER, ROTISS MOTOR, GRILL	1
4	010175	SERVICE, HB, SERRATED FLANGE, 1/4-20 X .50, SS, PKG 2	1
5	010174	SERVICE, MS, 10-32 X 1/2, PH, PAN, SS, PKG 4	1



**HESTAN**

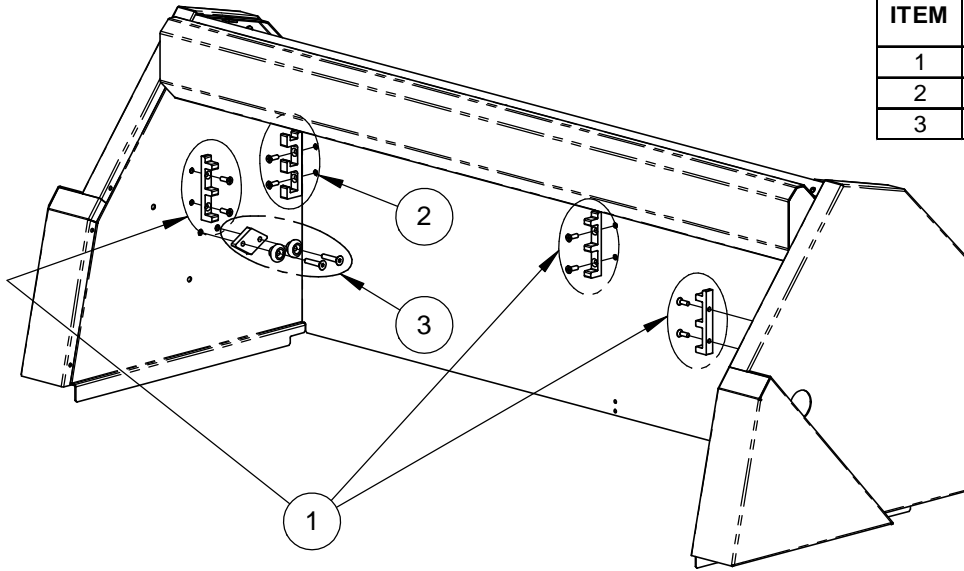
**SERVICE, ASSY., ROTISS  
MOTOR, GRILL**

DESCRIPTION

DRAWING NO

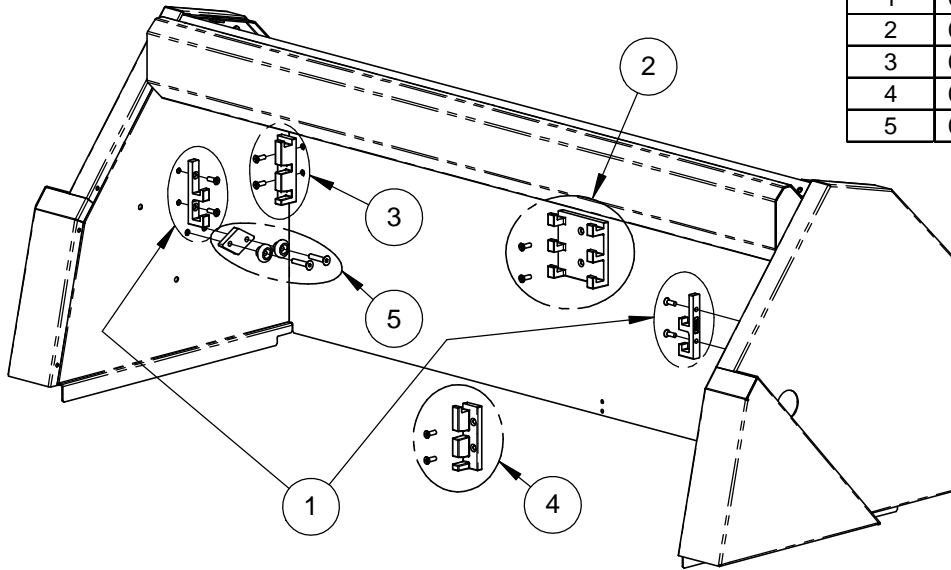
**A2**

SERVICE PARTS (30", 36", & EARLY 42" GRILLS)					
ITEM	PART NO.	DESCRIPTION	QTY		
			30"	36"	42"
1	010133	SERVICE, WARMING RACK LADDER/SCREWS, GRILL	2	2	3
2	010134	SERVICE, WARMING RACK LADDER LATCHED/SCREWS, GRILL	2	2	2
3	006824	ASSY., ROLLER CRADLE, GRILL	1	1	1



ABOVE APPLIES TO 30", 36", & EARLY 42" GRILLS W/ FULL-WIDTH WARMING RACK (EARLY 42" SHOWN FOR REFERENCE)

SERVICE PARTS (42" GRILLS W/ DUAL WARMING RACKS)				
ITEM	PART NO.	DESCRIPTION	QTY	
			42"	
1	018143	SERVICE, SPLIT WARMING RACK & SCREWS, SIDE LADDER	2	
2	018144	SERVICE, SPLIT WARMING RACK & SCREWS, REAR-CENTER LADDER	1	
3	018145	SERVICE, SPLIT WARMING RACK & SCREWS, REAR-LEFT LADDER	1	
4	018146	SERVICE, SPLIT WARMING RACK & SCREWS, REAR-RIGHT LADDER	1	
5	006824	ASSY., ROLLER CRADLE, GRILL	1	



ABOVE APPLIES TO 42" GRILLS W/ DUAL WARMING RACKS

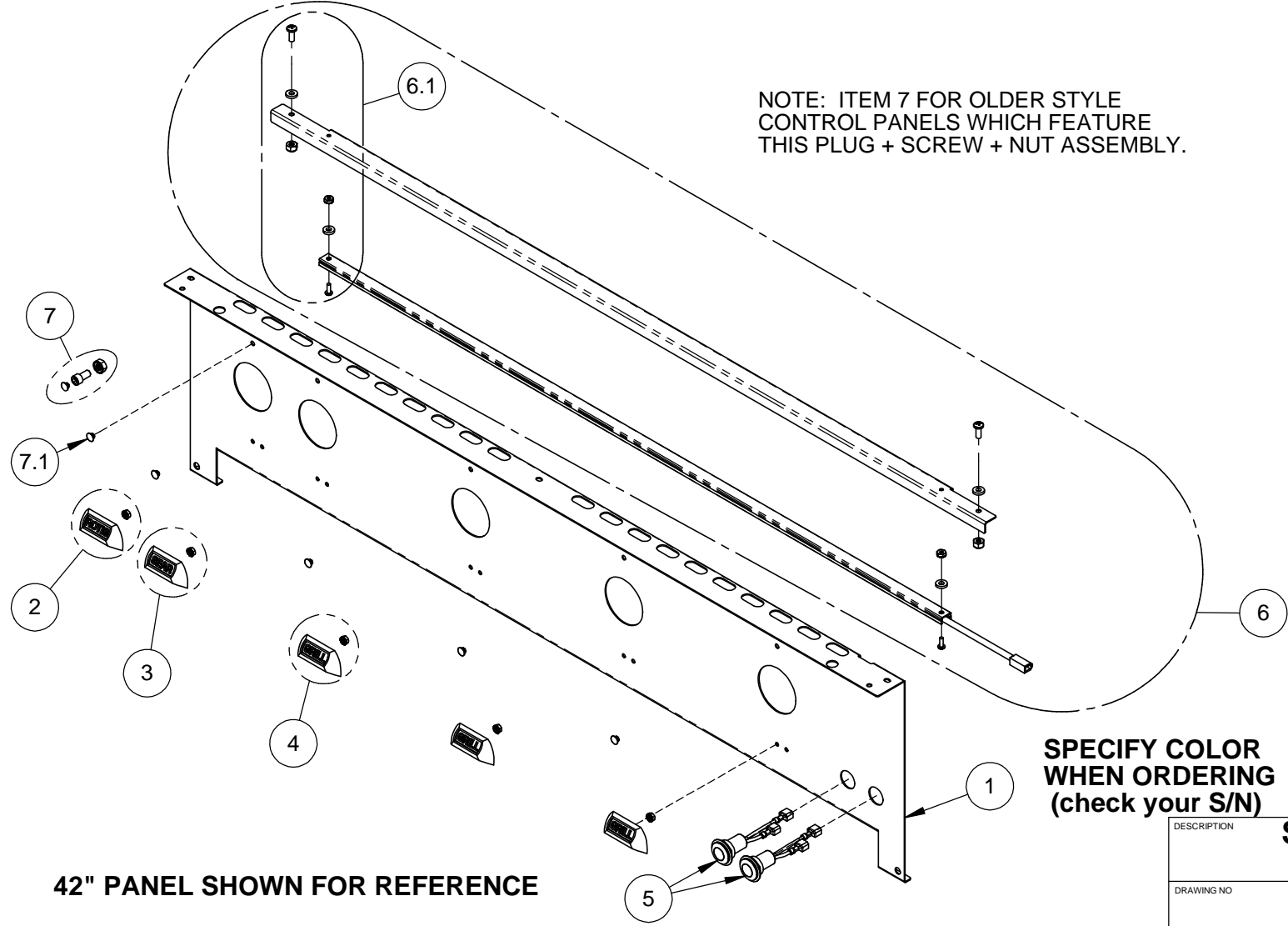


DESCRIPTION	<b>SERVICE, ASSY., CANOPY, GRILL</b>
DRAWING NO	
<b>A3</b>	

ITEM	PART NUMBER	DESCRIPTION	QTY											
			GABR30	GSBR30	GMBR30	GABR36	GSBR36	GMBR36	GABR42	GSBR42	GMBR42			
*1	008308-XX	PANEL, CONTROL, GRILL, 30	1	1	1									
	006172-XX	PANEL, CONTROL, GRILL, 36				1	1	1						
	008411-XX	PANEL, CONTROL, GRILL, 42							1	1	1			
2	007797	ASSY., VALVE MARKER, ROTIS	1	1	1	1	1	1	1	1	1	1	1	1
3	007799	ASSY., VALVE MARKER, SEAR		2	1		3	1		4	1			
4	007573	ASSY., VALVE MARKER, GRILL	2		1	3		2	4		3			
5	013244	SWITCH, PUSHBUTTON, 19mm, SPST, 10A, 250VAC	2	2	2	2	2	2	2	2	2	2	2	2
6	010170	SERVICE, LED LIGHT BAR ASSY. & FASTENERS, 30	1	1	1									
	010169	SERVICE, LED LIGHT BAR ASSY. & FASTENERS, 36				1	1	1						
	010168	SERVICE, LED LIGHT BAR ASSY. & FASTENERS, 42							1	1	1			
6.1	017836	SERVICE, LED BAR FASTENERS	1	1	1	1	1	1	1	1	1	1	1	1
7	010163	SERVICE, INDICATOR, OFF POSITION, CONTROL KNOB, GRILL	3	3	3	4	4	4	5	5	5	5	5	5
7.1	017808	SERVICE, PLUG, 1/4-20 SHCS, CHROME, PKG 5	1	1	1	1	1	1	1	1	1	1	1	1



COLOR CODE	COLOR
-BK	STEALTH - BLACK
-WH	FROTH - WHITE
-RD	METADOR - RED
-YW	SOL - YELLOW
-OR	CITRA - ORANGE
-BG	TIN ROOF - BURGUNDY
-PP	LUSH - PURPLE
-BU	PRINCE - BLUE
-GR	GROVE - GREEN
-GG	PACIFIC FOG - DARK GRAY
-TQ	BORA BORA - TURQUOISE



NOTE: ITEM 7 FOR OLDER STYLE CONTROL PANELS WHICH FEATURE THIS PLUG + SCREW + NUT ASSEMBLY.

**SPECIFY COLOR WHEN ORDERING (check your S/N)**

**42" PANEL SHOWN FOR REFERENCE**



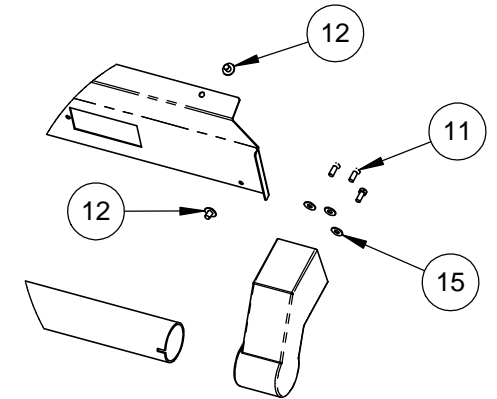
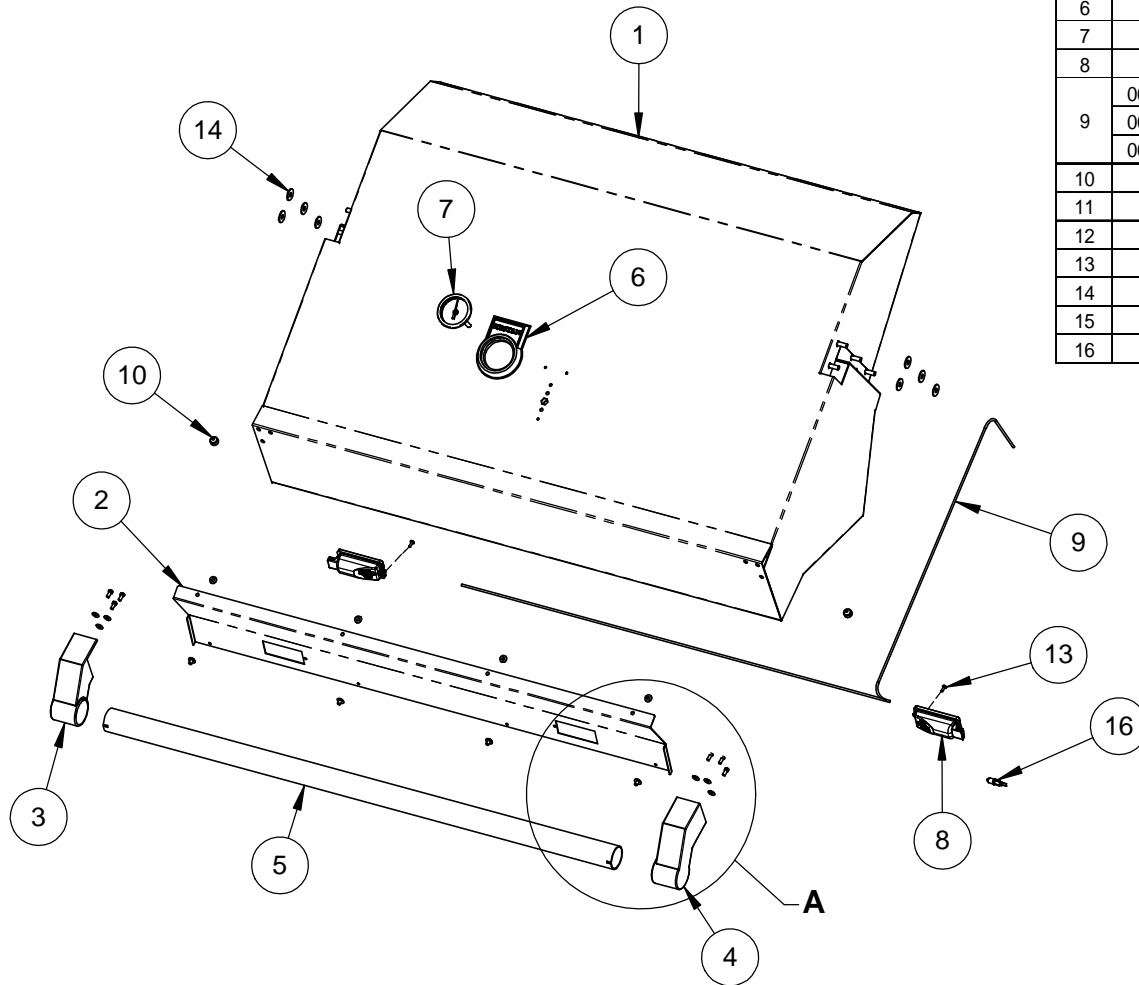
**SERVICE, ASSY., CONTROL PANEL, GRILL**

DESCRIPTION \_\_\_\_\_  
DRAWING NO \_\_\_\_\_

**A4**



ITEM	PART NUMBER	DESCRIPTION	QTY		
			30	36	42
1	008304	LID, GRILL, WA, 30	1		
	006938	LID, GRILL, WA, 36		1	
	008416	LID, GRILL, WA, 42			1
2	008307	COVER, INSIDE LID, GRILL, 30	1		
	006519	COVER, INSIDE LID, GRILL, 36		1	
	008421	COVER, INSIDE LID, GRILL, 42			1
3	000114	ENDCAP, HANDLE, LH, OVEN DOOR	1	1	1
4	000115	ENDCAP, HANDLE, RH, OVEN DOOR	1	1	1
5	006139-030	HANDLE, LID, GRILL	1		
	006139-036	HANDLE, LID, GRILL		1	
	006139-042	HANDLE, LID, GRILL			1
6	006689	LOGO, HESTAN, GRILL	1	1	1
7	017541	THERMOMETER, GRILL, HESTAN	1	1	1
8	006134	LAMP, HALOGEN, 30 X 70mm, 20W	2	2	2
9	006945-030	HARNESS, LID WIRES, GRILL, 30	1		
	006945-036	HARNESS, LID WIRES, GRILL, 36		1	
	006945-042	HARNESS, LID WIRES, GRILL, 42			1
10	010197	SERVICE, BUMPER, RUBBER, .50 DIAM. X .250 H, PKG 4	1	1	1
11	010198	SERVICE, MS, 8-32 X .375, HEXHD, SS, PKG 6	1	1	1
12	011856	SERVICE, MS, 10-24 X .250, PH, TRUSS, SS, PKG 6	2	2	2
13	010200	SERVICE, MS, 4-40 X 3/8, PH TRUSS, SS, PKG 2	1	1	1
14	010201	SERVICE, WSH, FLAT, 9/32 (.281 X .750 X .060), FIBER, PKG 8	1	1	1
15	010202	SERVICE, WSH, FLAT, #8 (.174 X .438 X .031), SS, PKG 6	1	1	1
16	018142	SERVICE, BULB, HALOGEN, G4 BI-PIN, 20W, PKG 2	1	1	1



DETAIL A

**HESTAN**

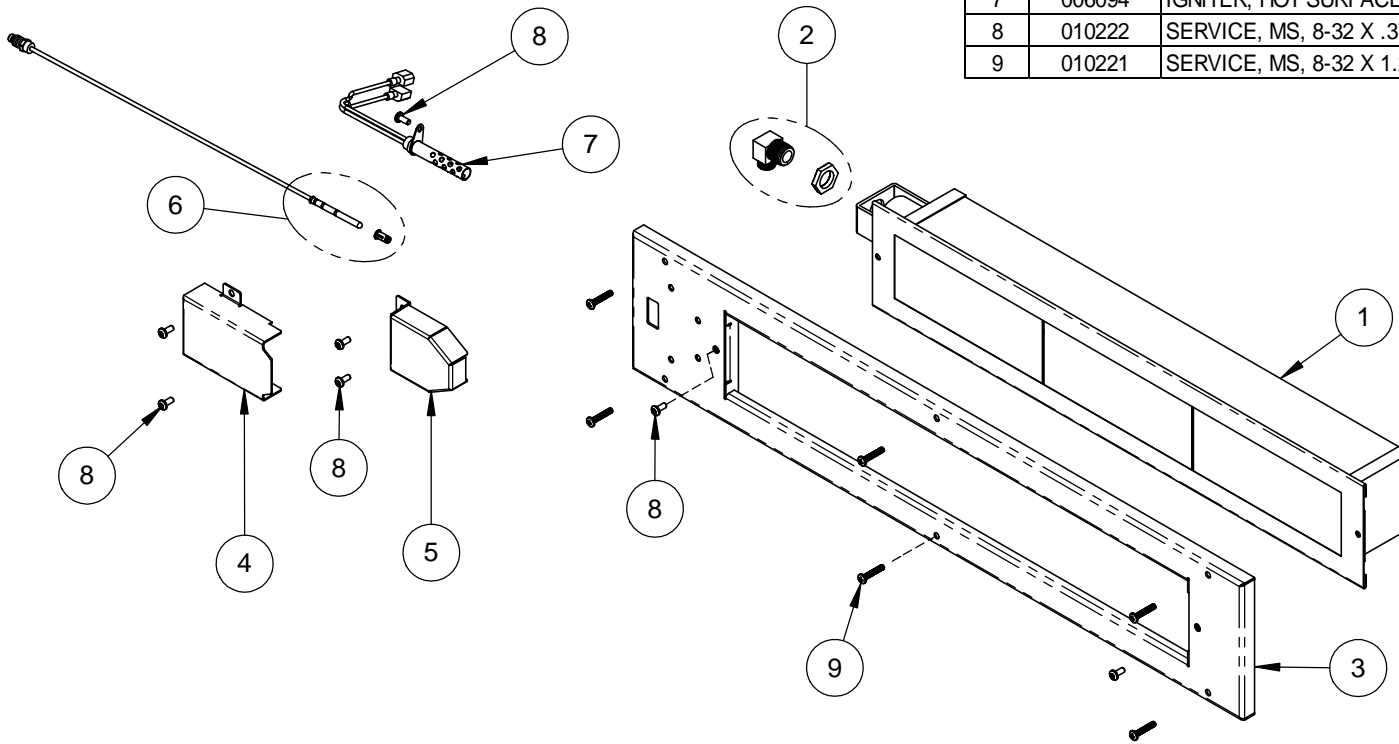
**SERVICE, ASSY., LID, GRILL**

DESCRIPTION

DRAWING NO

**A5**

ITEM	PART NUMBER	DESCRIPTION	QTY		
			30	36	42
1	008277	BURNER, INFRARED, ROTISS, HR12	1		
	006098	BURNER, INFRARED, ROTISS, HR14		1	
	008278	BURNER, INFRARED, ROTISS, HR18			1
2	010218	SERVICE, ORIFICE ELBOW & NUT, IR BURNER, GRILL	1	1	1
3	008412	FRAME, ROTISS BURNER, GRILL, WA, 30	1		
	008413	FRAME, ROTISS BURNER, GRILL, WA, 36		1	
	008414	FRAME, ROTISS BURNER, GRILL, WA, 42			1
4	006115	WIRE COVER, ROTISS IGNITER, GRILL	1	1	1
5	007554	SHROUD, IGNITER, ROTISS BURNER, GRILL, WA	1	1	1
6	010220	SERVICE, THERMOCOUPLE & CLIP, IR BURNER, GRILL	1	1	1
7	006094	IGNITER, HOT SURFACE, ROTIS.	1	1	1
8	010222	SERVICE, MS, 8-32 X .375, TORX, PAN, SS, PKG 10	1	1	1
9	010221	SERVICE, MS, 8-32 X 1.25, PH, PAN, SS, PKG 6	1	1	1



**HESTAN**

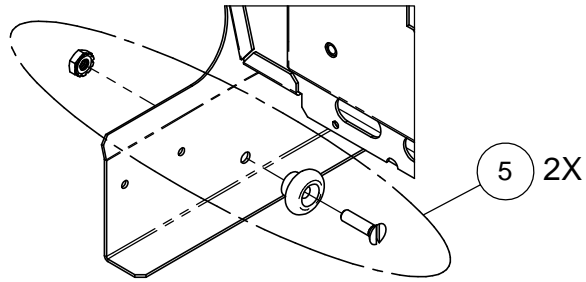
**SERVICE, ASSY., ROTISS  
BURNER, GRILL**

DESCRIPTION

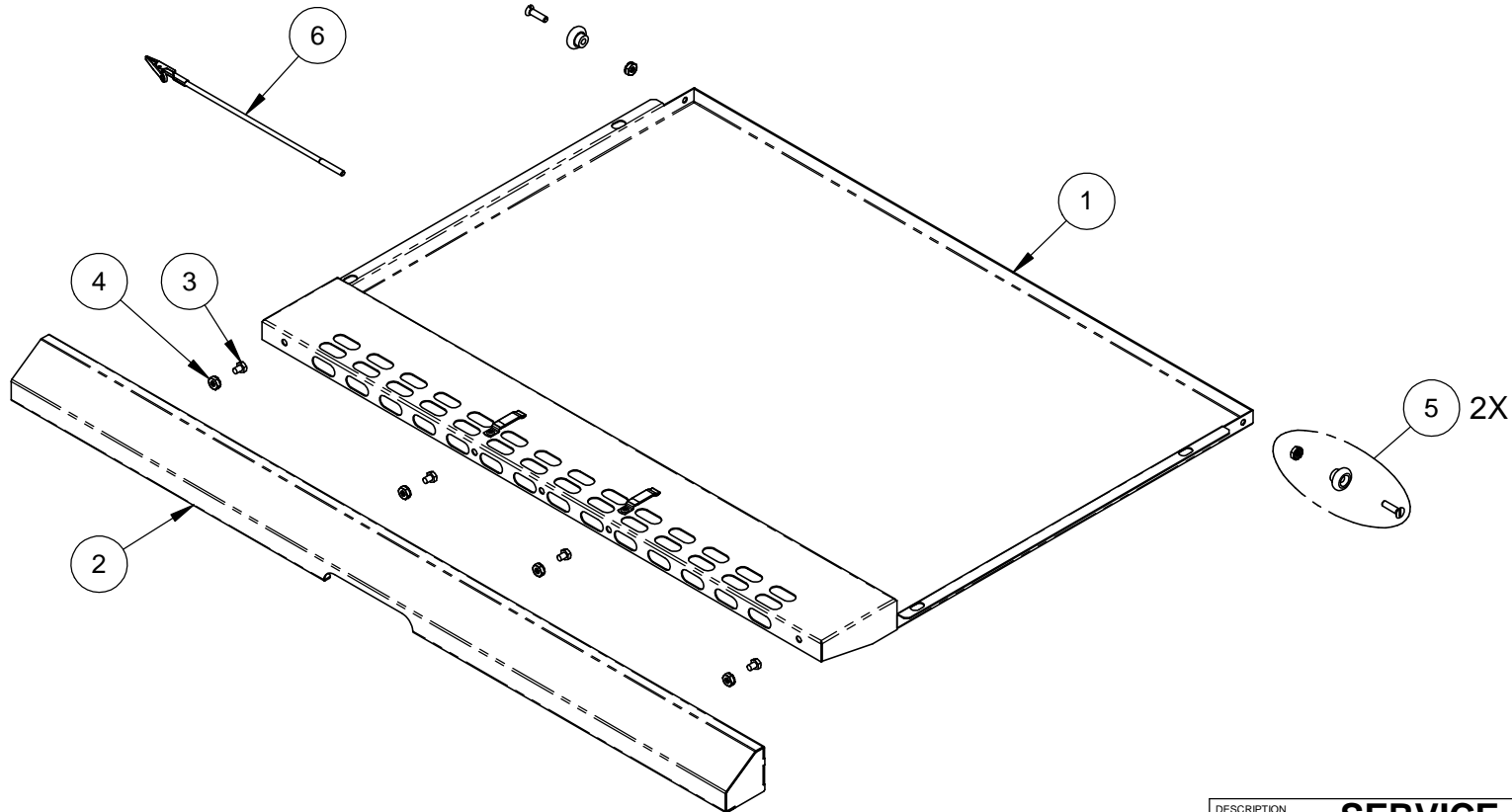
DRAWING NO

**A6**

**ROLLER WHEELS MOUNTED ON FIREBOX**



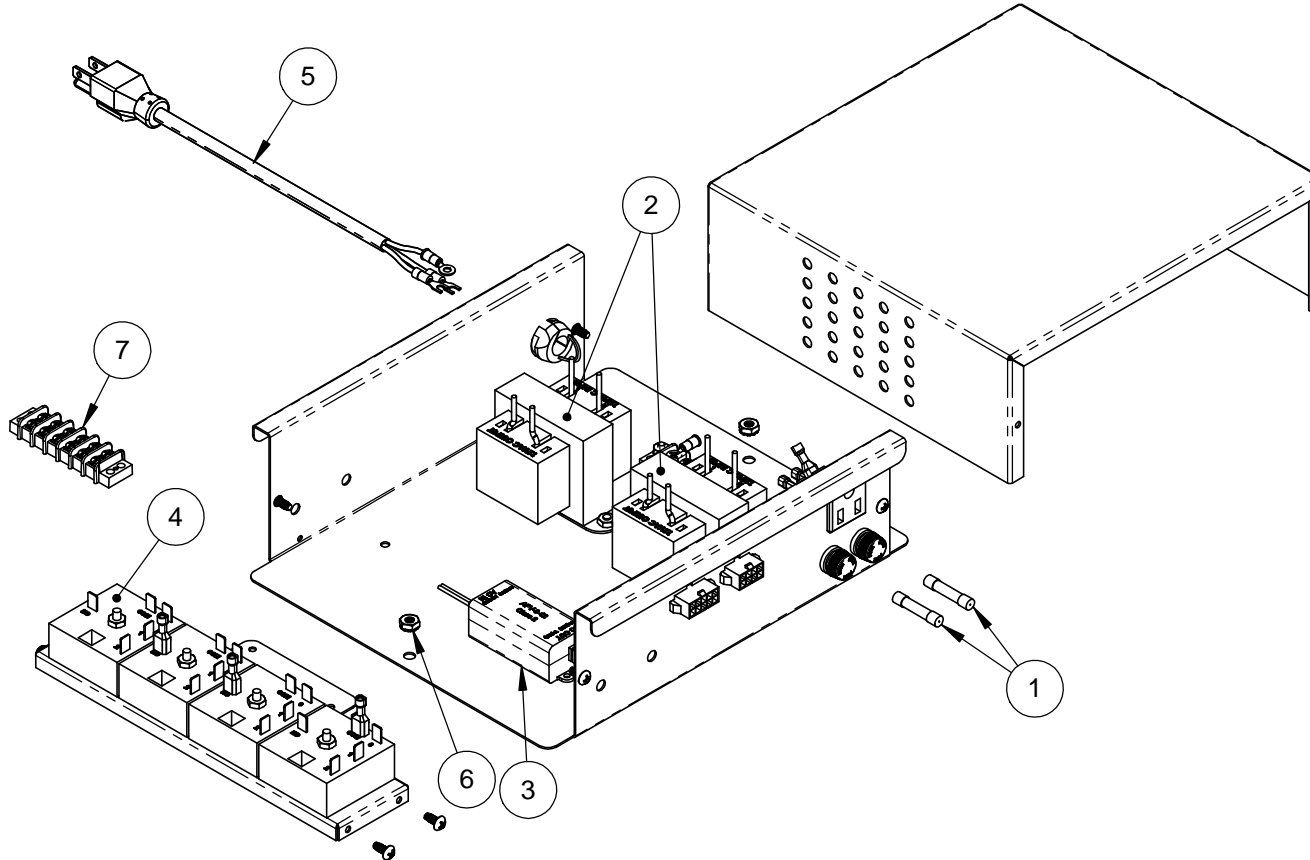
ITEM	PART NUMBER	DESCRIPTION	QTY		
			30"	36"	42"
1	008350	FRAME, DRIP PAN, GRILL, 30"	1		
	006190	FRAME, DRIP PAN, GRILL, 36"		1	
	008367	FRAME, DRIP PAN, GRILL, 42"			1
2	008311	CHIN, DRIP PAN, W/HANDLE, GRILL, WA, 30"	1		
	006187	CHIN, DRIP PAN, W/HANDLE, GRILL, WA, 36"		1	
	008365	CHIN, DRIP PAN, W/HANDLE, GRILL, WA, 42"			1
3	010237	SERVICE, MS, 10-24 X 1/4, HEX HD, SS, PKG 6	1	1	1
4	017384	SERVICE, NUT, KEPS, #10-24, SS, PKG 4	1	1	1
5	010127	SERVICE, ROLLER WHEEL & FASTENER, DRIP PAN	4	4	4
6	008029	CLIP, MATCH LIGHT	1	1	1



**HESTAN**

DESCRIPTION **SERVICE, ASSY., DRIP PAN, GRILL**  
 DRAWING NO **A7**

ITEM	PART NUMBER	DESCRIPTION	QTY								
			GABR30	GGBR30	GMBR30	GABR36	GGBR36	GMBR36	GABR42	GGBR42	GMBR42
1	007732	FUSE, 750mA, 250V, 1/4 X 1-1/4, SLO BLO	2	2	2	2	2	2	2	2	2
2	024050	SERVICE, TRANSFORMER, 120V, CLASS 2, 12 VAC, 4.17 A	2	2	2	2	2	2	2	2	2
3	023837	SERVICE, KIT, LED DRIVER REPLACEMENT	1	1	1	1	1	1	1	1	1
4	007493	TIME DELAY RELAY, 10A, 8 SEC.	2	2	2	3	3	3	4	4	4
5	023755	SERVICE, CORD, POWER, 79", 3 BLADE PLUG, WITH TERMINALS	1	1	1	1	1	1	1	1	1
6	009153	NUT, KEPS, #10-32, SS	2	2	2	2	2	2	2	2	2
7	001457	TERMINAL BLOCK, 4 CIRCUIT, 3/8" SPACING	1	1	1	1	1	1	1	1	1



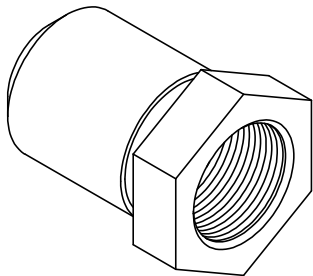
**42" ELECTRICAL BOX SHOWN FOR REFERENCE**

TO ORDER COMPLETE ELECTRICAL BOX	
GRILL MODEL NUMBER	PART NUMBER
GABR30	007583-030
GGBR30	
GMBR30	
GABR36	007583-036
GGBR36	
GMBR36	
GABR42	007583-042
GGBR42	
GMBR42	

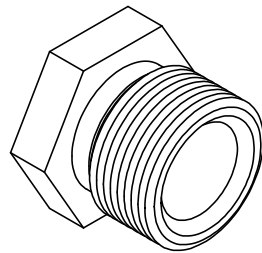


DESCRIPTION	<b>SERVICE, ELECTRICAL BOX ASSEMBLY, OUTDOOR GRILL</b>
DRAWING NO	<b>A8</b>

BURNER TYPE	FUEL TYPE	BTU OUTPUT	Orifice P/N	QTY. PER GRILL MODEL								
				GABR30	GSBR30	GMBR30	GABR36	GSBR36	GMBR36	GABR42	GSBR42	GMBR42
Trellis Burner	NG	25000	000293-042	2		1						
	LP	25000	000293-053	2		1						
Sear Burner	NG	25000	000293-042		2	1						
	LP	22000	000293-054		2	1						
Rotiss	NG	12000	002865-051	1	1	1						
	LP	11000	002865-060	1	1	1						
Trellis Burner	NG	25000	000293-042				3		2			
	LP	25000	000293-053				3		2			
Sear Burner	NG	25000	000293-042					3	1			
	LP	22000	000293-054					3	1			
Rotiss	NG	14000	002865-050				1	1	1			
	LP	13000	002865-057				1	1	1			
Trellis Burner	NG	25000	000293-042							4		3
	LP	25000	000293-053							4		3
Sear Burner	NG	25000	000293-042								4	1
	LP	22000	000293-054								4	1
Rotiss	NG	18000	002865-045							1	1	1
	LP	18000	002865-056							1	1	1



HOOD ORIFICE  
000293-XXX



SPUD ORIFICE  
002865-XXX



**SERVICE, ORIFICE CHART,  
OUTDOOR GRILL**

DESCRIPTION

DRAWING NO

**A9**



Hestan Commercial Corporation

3375 E. La Palma Ave.

Anaheim, CA 92806

(888) 905-7463

RETAIN THIS FOR FUTURE REFERENCE